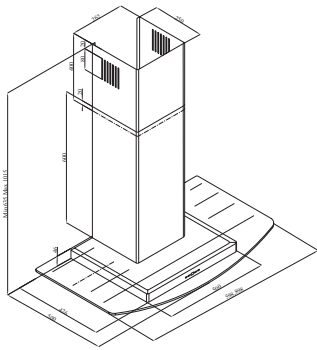


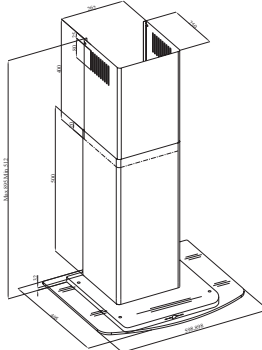
Hood User Manual

3110-3112-3113-3115-3120-3122-3123-3130-3131-3140
3141-3143-3150-3151-3152-3153-3155-3157-3158-3160
3161-3170-3171-3173-3174-3175-3176-3210-3272-3321
3322-3324-3325-3326-3350-3351

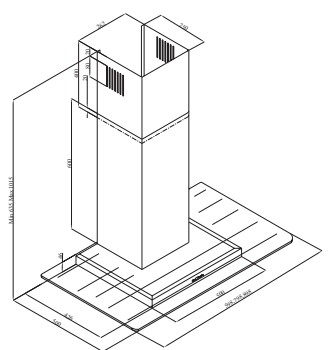
TECHNICAL DRAWINGS



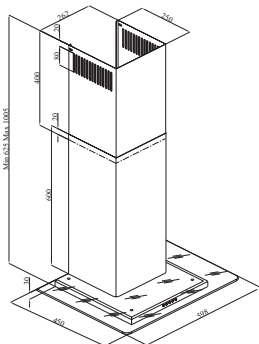
3110



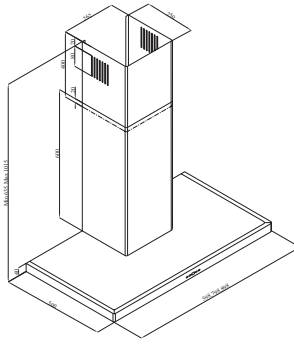
3112



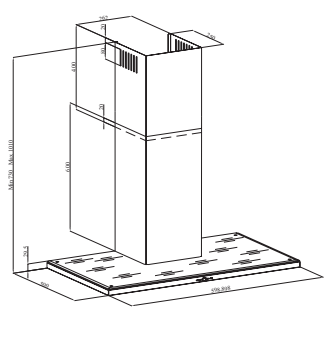
3113



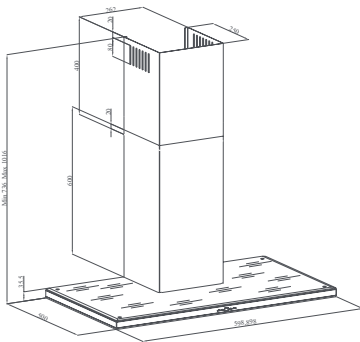
3115



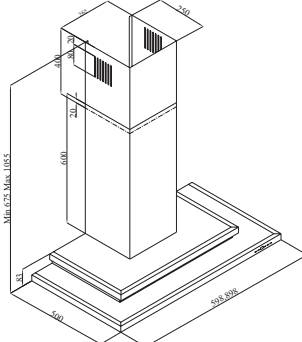
3120



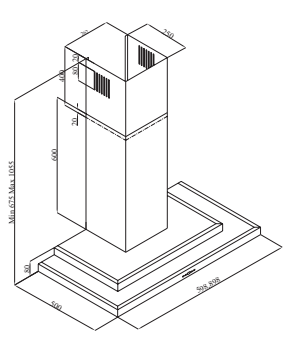
3122



3123

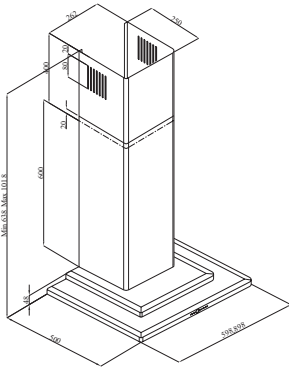


3130/3131

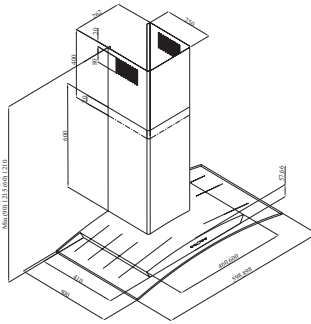


3140/3141

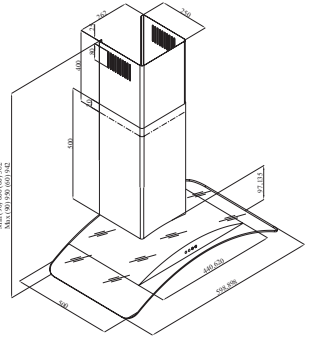
TECHNICAL DRAWINGS



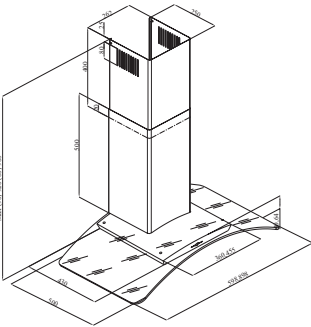
3143



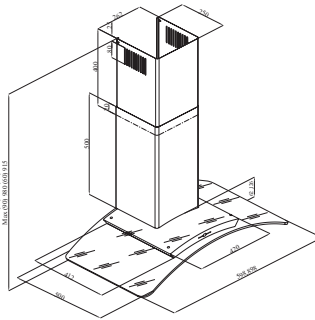
3150-3151-3152-3153



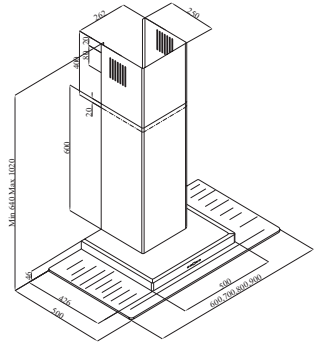
3155



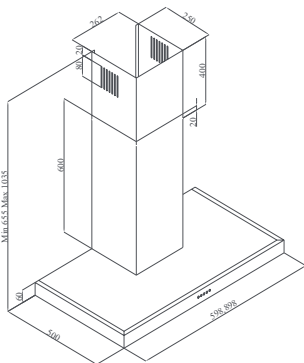
3157



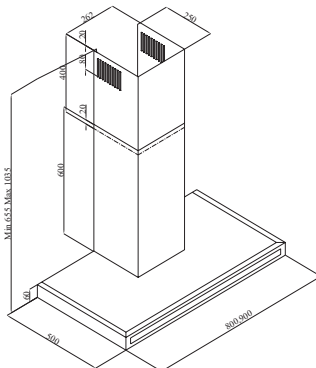
3158



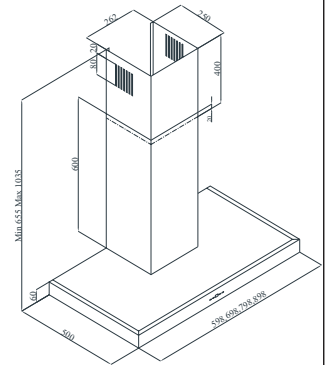
3160-3161



3170-3171

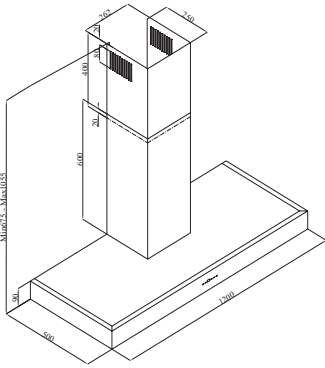


3173

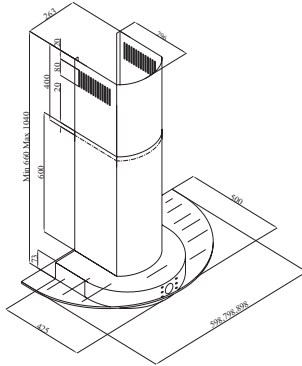


3174-3175

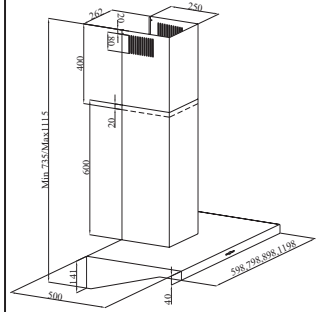
TECHNICAL DRAWINGS



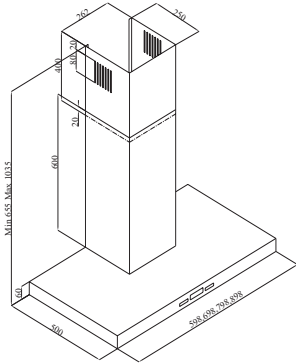
3176



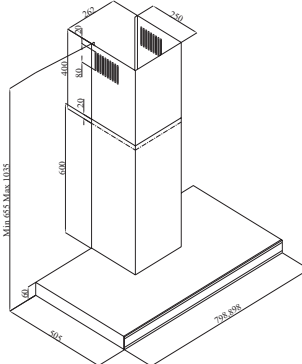
3210



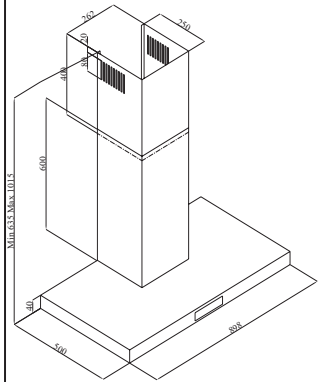
3272



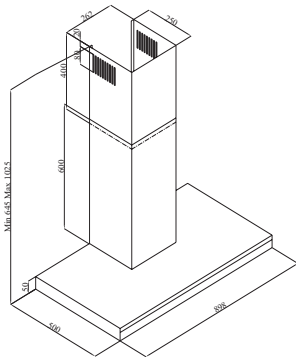
3321



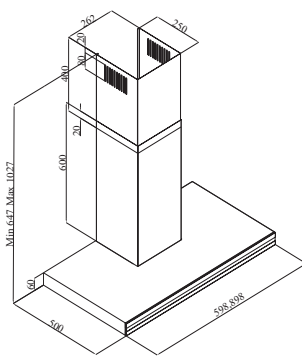
3322



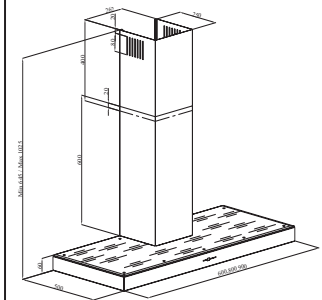
3324



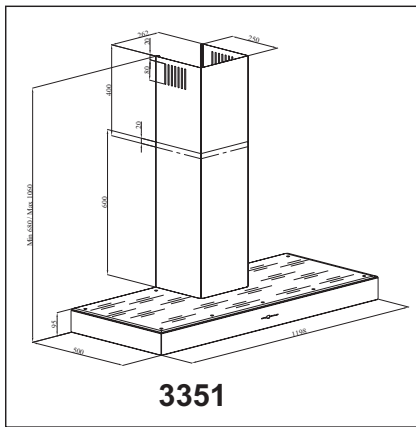
3325



3326



3350



WARNINGS AND SAFETY PRECAUTIONS

*This appliance is intended for home usage.

*Operating voltage of your appliance is 220-240 Volt-50 Hz.

*A grounded plug is installed on the power cord of your appliance. This cord shall always be plugged to a grounded outlet.

*Electrical installation shall be performed by a qualified electrician.

*Installation by unqualified persons may cause operation with low performance, damage to the appliance or accidents.

*Power cord shall not be crushed or smashed during installation. Do not route the power cord near the stoves; cord may melt and cause fire.

*Do not plug the appliance before installation of the appliance.

*Make sure that the plug is easily reachable in order to unplug the appliance in case of any danger.

*Do not touch the lamps of your appliance when they have operated for a long time. Lamps may burn your hand as they may be hot.

*Kitchen hoods are intended for home usage only with normal cooking. There is a risk of fault and it shall be void of warranty when it is operated for other purposes.

*Comply with the regulations of the authorities on the discharge of outlet air. (This warning does not apply to flueless applications.)

*Do not cook flammable food under the appliance.

*Operate your appliance after putting a pan, pot etc. on the stoves. Otherwise, high temperature may cause deformation of some parts of appliance.

*Turn off the stove before removing a pan, pot etc. from the stoves.

*Do not leave hot oil on a stove. Pots with hot oil inside may catch fire by itself.

*Oil may catch fire while you are frying etc.; watch for your curtains and linens.

*Ensure that the filters are replaced in time. Filters

that are not replaced in time may cause a risk of fire due to the fat collected on them.

*Do not use filtering material that are not resistant to flames instead of filters.

*Do not operate your appliance without filters; do not remove the filters while the appliance is operated.

*In case of any fire, de-energize the hood and any other cooking devices. (De-energize the appliance by unplugging it.)

Your appliance may cause a risk of fire if the cleaning is not performed as per the specified periods.

*De-energize the appliance before any maintenance operations. (De-energize the appliance by unplugging it.)

*Negative pressure inside the room when the electric stove-top hood and other electrically powered devices are operated simultaneously shall not exceed 4 Pa (4 X 10⁻² bar).

*Any fuel- or gas-powered devices in the medium where your appliance shall be used, such as room heaters, shall be completely isolated from the volume where the exhaust of this appliance is placed, or the device shall be of hermetic type.

*Use pipes with a diameter of 150mm or 120 mm when you use flue connection for your appliance. Pipe connection shall be as short as possible and have minimum number of elbows.

*Do not allow your children to play with the appliance. Do not allow little children to use the appliance.

Use "MAX 6A" fuses on the hood installation for your safety.

*Keep package material away from children as they may pose a risk.

*If the power cord is damaged, it shall be replaced by the manufacturer or its authorized service or by an equally qualified technician to prevent any risky condition.

WARNINGS AND SAFETY PRECAUTIONS

*In case of any fire, de-energize the hood and any other cooking devices, and cover the fire. Do not use water to put off the fire.

*When the cooking appliances are being operated, accessible parts may become hot.

*This appliance is not intended for use by persons (including children) with reduced physical, sensory or mental capabilities, or lack of experience and knowledge, unless they have been given supervised or instruction concerning use of the appliance by a responsible person for their safety.

*The distance between the appliance and the stoves should not be less than 65 cm in electric stoves and not less than 75 cm in gas and other types of stoves

when the hood installation is completed.

*Exhaust of the hood shall not be connected to air ducts with other smoke.

*You should be careful when the appliance is operated with other appliances that use the air in the room and their fuel (e.g. heaters, water heaters that operate with gas, diesel fuel, coke or wood etc.) Because, hood may negatively effect the burning of the fuel as it exhausts the air inside the room.

*This warning does not apply to fuelless applications.

APPLIANCE POSITION

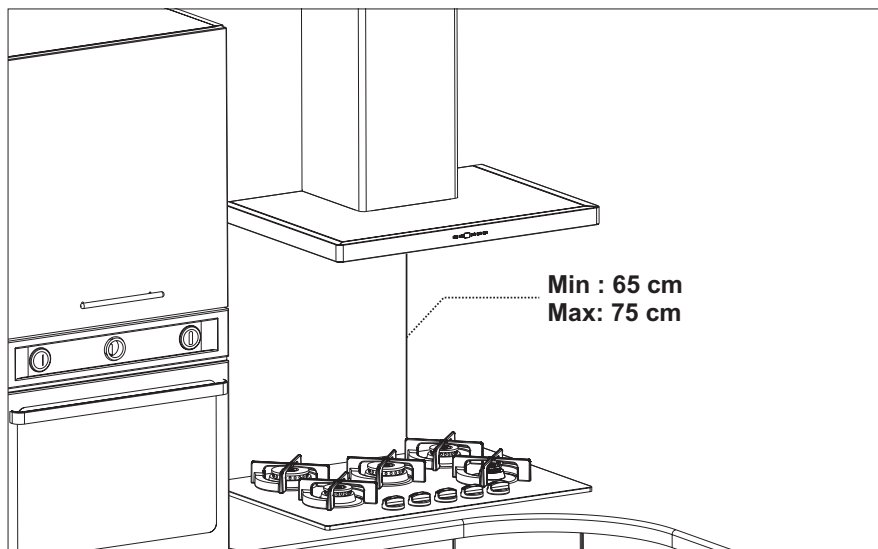
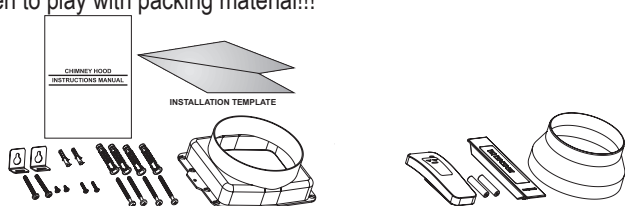


Figure 1

The distance between the appliance and the stoves should not be less than 65 cm in electric stoves and not less than 75 cm in gas and other types of stoves when the hood installation is completed. (Figure 1)

! Installation Removing the Appliance from its Package:

- * Check that your appliance is not deformed.
- * Report the transport issues immediately to transport operator.
- * Any faults encountered shall be reported to the dealer, too.
- * Do not allow children to play with packing material!!!



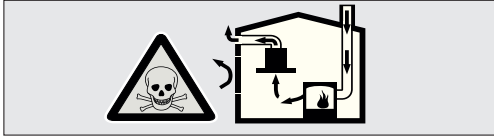
Standard accessories

Optional accessories



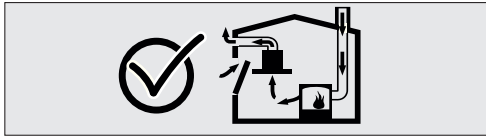
Vital risk, risk of poisoning!

There is a vital risk of being poisoned due to the combustion gases sucked back. Do not operate the appliance together with the air-circulated fire appliances unless adequate air intake is ensured.



Air-circulated fire appliances (e.g. gas, oil, wood or coal stoves, water heaters etc.) take the combustion air from the installation place and discharge the waste air with a waste gas system (e.g. flue). With the hood being operated, air is taken from the kitchen and neighbouring rooms. A vacuum is generated if adequate air supply is not ensured. Poisonous gases are sucked back from the flue and discharge gas duct and re-entered to the house in such a condition.

■ Therefore, you shall always ensure that clean air intake is always adequate.



Cleaning and protective maintenance

Risk of being burnt, Risk of electric shock!

Due to the appliance. Allow the appliance to cool before any cleaning or maintenance. Disconnect the fuse connection or remove the plug.

Caution!

■ There is a risk of damage due to the humidity ingress in electronic components. Do not clean the control elements with damp cloth.

■ Surface may be damaged due to improper cleaning. Clean the stainless steel surfaces on the brushing direction only. Do not use stainless steel cleaners for control elements.

■ Surface may be damaged due to abrasive or hard cleaning materials. Never use abrasive or hard cleaning materials.

Maintenance and repair

Risk of fire, risk of injury! Due to improper or out of rule repairs. Disconnect the fuse connection or remove the plug. Repair work shall always be performed by qualified personnel (electronic technicians).

Risk of injury!

In case of a fault or damage on the appliance, disconnect the fuse and remove the plug and call the authorized service.

Risk of fire, risk of injury!

Due to damaged connection cable. A damaged connection cable shall always be replaced by qualified personnel (electronic technicians).

Risk of being burnt, Risk of electric shock!

In case of a faulty bulb, disconnect the fuse connection or remove the plug. Replace the faulty bulbs immediately to prevent overloading of other bulbs (allow the bulbs to cool first).



Risk of fire!

Due to the sparks fluttering around. Appliance is allowed to be installed over a heating appliance operated with solid fuel (e.g. wood or coal) only if there is a cover available that cannot be removed. Current building codes and regulations of the local power and gas companies shall be considered for the installation work.



Risk of electric shock!

Due to damaged connection cable. Do not kink or pinch the connection cable during installation.



Risk of injury!

There is a risk of injury due to the sharp edges during installation work. Always use protective gloves during installation work of the appliance.



Risk of injury!

Due to the dropping of the appliance. Always fix all safety bolts and safety covers properly.

Cleaning and protective maintenance

■ Surface may be damaged due to abrasive or hard cleaning materials. Never use abrasive or hard cleaning materials. Cleaning of the appliance surface Procure the proper cleaning and protective materials for your appliance from the authorized service. Note: Surface of the appliance and control units are delicate against scratches.

■ Clean the surfaces with a soft, damp cloth, dish soap or a less active glass cleaning material. Soften the dirt that is dried and stuck on the surface with a damp cloth. Do not rub!

■ It is not suitable to use dry clothes, scratchy sponges, materials that require rubbing, cleaning materials with sand, sodium carbonate, acids or chlorine and other active agents.

■ Clean the stainless steel surfaces on the machining direction only.

■ Do not use stainless steel cleaners and damp clothes for control elements.

Cleaning metal oil filters

Metallic oil filters used in the appliance traps the oil particles inside the humidity and vapour occurred in the kitchen. Clean the metal oil filters every three months approximately with a normal level of operation (1 to 2 hours per day).

■ Do not use over-active cleaning materials with acid or javel solution.

■ Clean the holding mechanisms of metal oil filters with a damp cloth while cleaning the metal oil filters.

■ You may wash the metal oil filters with a dishwasher or manually.

In the dishwasher:

Note: A light discoloration or change of color may occur when the filters are washed in a dishwasher. This does not affect the function of metal oil filter.

■ Do not wash heavily dirty metallic oil filters with other dishes.

■ Place the metallic oil filters on a dishwasher loosely or freely. Do not allow metal oil filters to be jammed.

Manual cleaning:

Note: You may use a special fat solvent for heavily soiled filters. You may buy this solvent from the online sales center.

■ Soften the metal oil filters in hot water with dish soap.

■ Use a brush for cleaning and rinse the filters thoroughly afterwards.

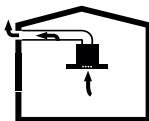
■ Metal yağ filtrelerdeki sıvıların iyice akmasını bekleyiniz.

Operating modes

You may operate this appliance with discharge air mode and circulated air mode.

Discharge air mode

Intake air is cleaned with oil filters and discharged through a pipe system.



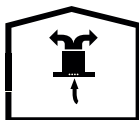
Note: Waste air shall not be discharged neither to an active smoke or waste air flue nor to a flue used for the ventilation of rooms where heating appliances are installed.

■ If you want to discharge the waste air to a non-active smoke or waste air flue, you shall take permission from an authorized chimney sweep.

■ If the waste air is discharged through an outside wall, a telescopic wall case shall be used.

Circulated air mode

Intake air is cleaned with oil filters and active carbon filter and returned back to the kitchen.



Note: You shall install an active carbon filter to trap particles that cause odor in the circulated air mode. For various possibilities to operate the appliance in circulated air mode, please refer to the manual or consult your authorized dealer. You may buy the accessories required for this procedure from relevant sales points, authorized dealers or from the online sales center. Refer to the end of operating manual for part numbers of the accessories.

Carbon Filter

Active carbon filters shall be used for filtering the air inside the room and giving it back to the room in environments without a flue connection. You may procure the active carbon filter from your authorized dealer or service. De-energize the appliance before replacing the carbon filter. Carbon filter shall be replaced every 3 to 5 months based on the frequency of operation as it is used in kitchens without flue outlet. Do not wash the carbon filter. Always have oil filters installed on the appliance without respect to the availability of the carbon filter. Do not operate your appliance without oil filter. Replacement of carbon filter There are 2 carbon filters on the appliance. Rotate the carbon filter clockwise to install it.

Figure 1

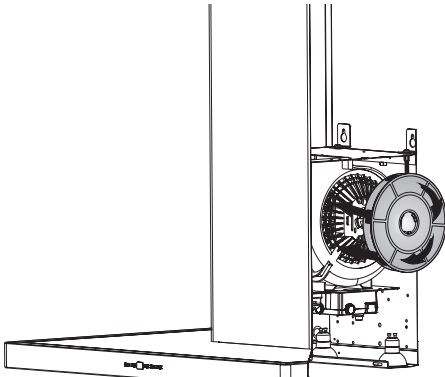


Figure 1

Replacement of Aluminum Cartridge Carbon Filter

Press on the upper catch and pull towards yourself to remove the carbon filter. **Figure 1a**

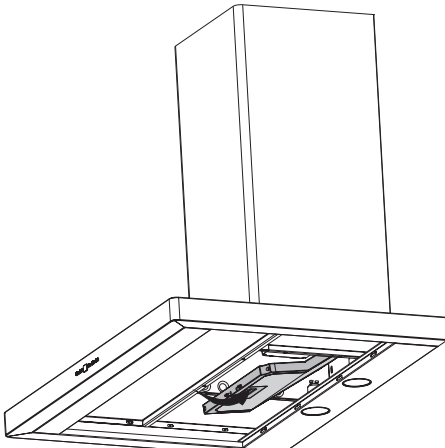


Figure 1a

Installation of the Appliance

Installation of the suspension plate to the hood:

There are 2 (L) shaped suspension plates available in the installation accessories to suspend the appliance to the wall. These plates are supplied with a screw set to provide ease of installation. Screw these plates on M5 drive nuts on the cabinets with M5 x 40 screws before suspending the appliance. **Figure 2**

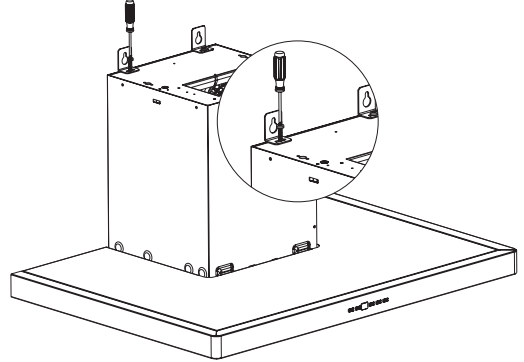


Figure 2

Installation of the plastic flue to the hood: Fix the plastic flue to the motor connection plate with a 3.5x9.5 screw. **Figure 3**

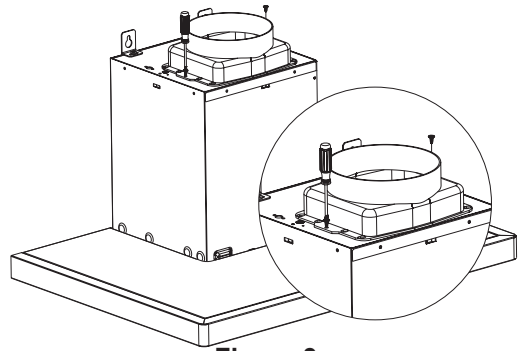


Figure 3

Drilling of Suspension Holes

Fix the installation template to the surface where the hood shall be suspended and drill holes in the points marked with (A,B,C) using a Ø 8 mm drill bit.

Figure 4

Tap 10 mm plastic dowels to the holes you have drilled.

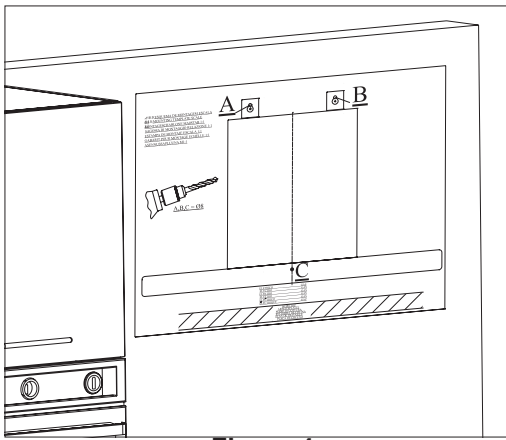


Figure 4

Drill the D, E points with a \varnothing 6mm drill bit to screw the flue installation plate referring to the min. and max. heights of the appliance. **Figure 5**
Install 6 mm dowels to the holes you have drilled.

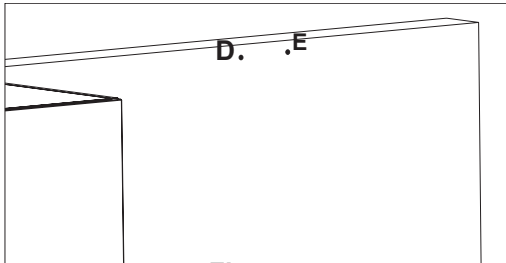


Figure 5

Tightening the suspension screws:

Tighten 5.5x60 suspension screws to \varnothing 10 mm dowels (A, B) you have tapped on the wall. The distance between screw head and the wall shall be 5 mm. **Figure 6**

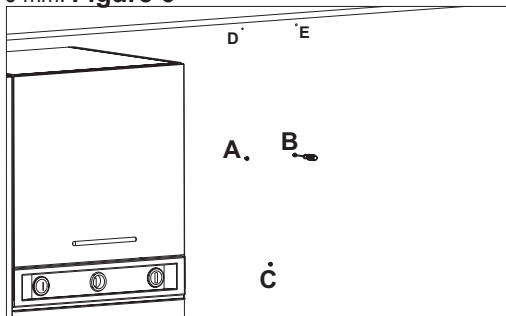


Figure 6

Tighten the flue installation plate to the \varnothing 6 dowels you have tapped to the wall using the 3.9x22 screw supplied with your hood. **Figure 7**

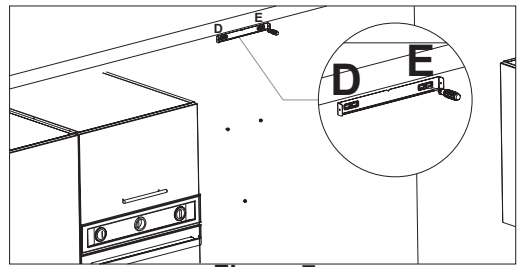


Figure 7

Suspending the Hood to the Wall:

Hold the hood from its body and suspend it to the wall on A and B points using the (L) plates you have fixed on the hood cabinet before. **Figure 8**

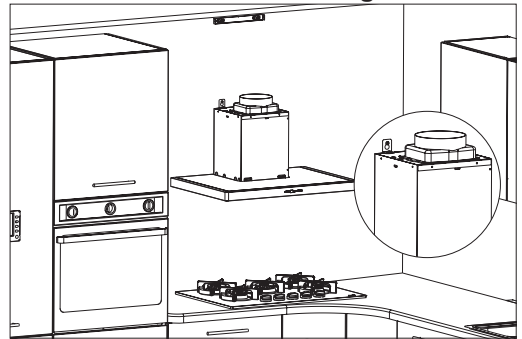


Figure 8

When the suspension procedure is completed, tighten the suspension screws installed to the wall in **Fig. 6** with a screwdriver to prevent moving of the appliance. **Figure 9**

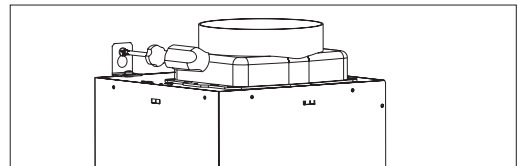


Figure 9

After you have fixed your hood completely, secure the body with a screw from the hole (C) inside the body to prevent it from moving. **Figure 10**

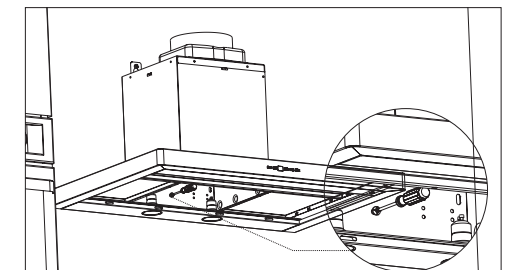


Figure 10

NOTE: If the hood seems skewed, adjust the alignment of the hood by loosening the M5 screws that the suspension plates on the top are installed to.

Figure 11

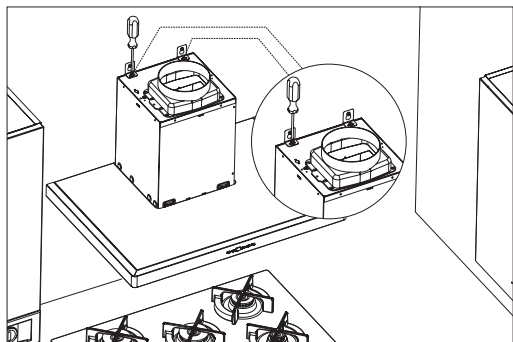


Figure 11

Installation of aluminum pipe: Install the flexible aluminum pipe to the plastic flue. Install the other end of the pipe to the flue hole on the wall.

Figure 12

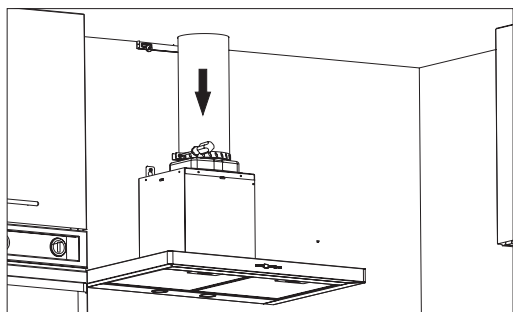


Figure 12

! Avoid bends and elbows as much as possible as the bends and elbows in the aluminum pipe shall reduce the air suction power. Engage the flues to the circumference of the body.

Figure 13

! Appliance may have single flue on some model options. In this case, you may procure the inner flue suitable for your appliance from your authorized dealer.

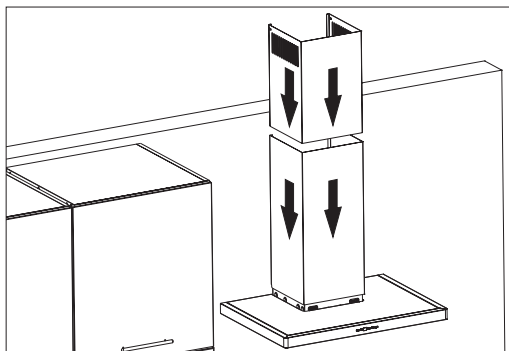


Figure 13

Tighten the inner flue to the flue installation plate secured on the wall from its upper external sides.

Figure 14

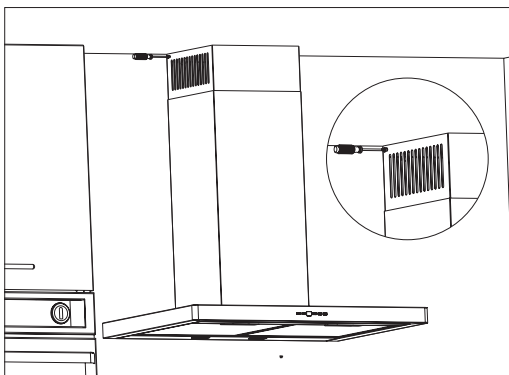


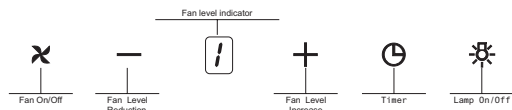
Figure 14

Operation

This manual applies to several appliance variants. Some specifications described here may not apply to your appliance.

Note: Turn on the hood when you start cooking and turn it off only after a few minutes later than you have finished cooking. The vapor inside the kitchen is removed most effectively in this way.

Control area Variant 3



Turning on the fan: Variant 1

Press the On/Off button.

Increase the fan level with + button or reduce the fan level with - button.

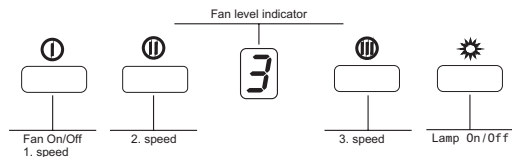
Illumination

You may turn on or off the illumination irrespective of the fan.

Timer: When you press this button for more than 2 seconds, a timer function of 15 minutes shall be activated, display shall signal when the timing function has started and motor shall stop automatically after 15 minutes.

! This explanation applies to models with 5 speed digital switch and models with touchscreen on the glass.

Control area Variant 2



Turning on the fan: Variant 1

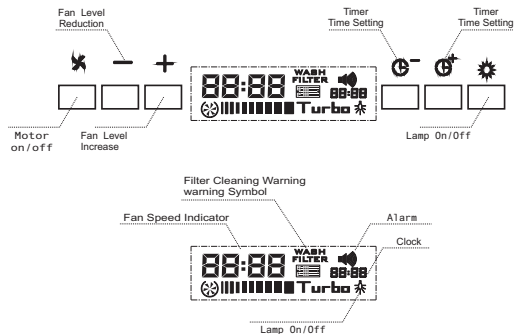
Press the On/Off 1st speed button.

Illumination

You may turn on or off the illumination irrespective of the fan.

Timer: A timer function of 15 minutes shall be activated if you press any of the motor operating buttons for more than 2 seconds. A signal shall be given on the display when the timer starts and motor shall be turned off automatically after 15 minutes.

Control area Variant 3



Turning on the fan: Variant 1

Press the On/Off button.

Increase the fan level with + button or reduce the fan level with - button.

1- Hood off timer: If the timer is set during the operation of the motor, hood is turned off, i.e. motor is stopped, lamp is turned off and buzzer sounds for 5 seconds when time set in the timer ends.

TMR+ Button This button allows setting the timer by increasing the hour digit of timer start time. The hour digit on timer is increased by 1 with each press, and it is increased rapidly if you press the button longer.

TMR- Button This button allows setting the timer by decreasing the hour digit of timer start time. The hour digit on timer is decreased by 1 with each press, and it is increased rapidly if you press the button longer.

Alarm timer : Alarm timer is started if the timer is set when the motor is not operated. In other words, buzzer sounds for 15 seconds only when timer ends; motor and lamp are not turned off even if motor or lamp are operated while the timer is set.

Timer clock displays the real time when the timer is not active. **Clock:** Real time is displayed continuously. The colon between hours and minutes is flashed every 1 second. Press the Tmr+ () and Tmr- buttons together for 2 seconds to set the clock. Hours and minutes flash for 5 seconds. You may set the clock by increasing organization decreasing the minutes by pressing the Tmr+() or Tmr-() button while the flashing resumes. Clock flashes until you press any button when the power is turned on. You may set the clock by pressing Tmr- or Tmr+ buttons while flashing resumes. (Settings are reset when power is cut.)

Filter Warning: Clean filter warning is displayed after 60 hours of operation and flashes every 1 second. You may reset the filter time and clear filter icon by pressing M on/off button for 3 seconds after cleaning and re-installing the filters.

Programmable options may be set while the motor and lamp is turned off and timer is not set.

1- Back light brightness settings: When you press V- button for 5 seconds, blue color percentage is displayed on the screen. (for example: B 00). If you press V- button again, red color percentage is displayed on the screen. (for example: R 100). If you press V- button again, red color percentage is displayed on the screen (for example: G 10). The color displayed on the screen may be set from 0 to 100 percent by pressing Tmr- and Tmr+ buttons (it may be set rapidly by pressing longer). When you press V- button for 5 seconds, new color is recorded (a beep sounds) and setting mode is turned off. To exit from setting mode without saving, you may press Mot/off or lamp buttons.

2- Back light option: Back light is turned on as factory default.

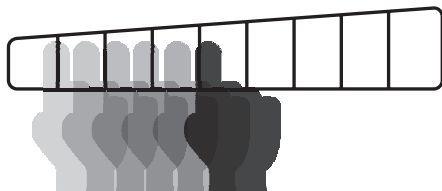
Optionally, back light may be turned off by pressing V+ button for 5 seconds (a beep sounds) when the motor and lamp are turned off and timer is not set (i.e. hood is not operated). Press V+ button for 5 seconds to bring the back light to always on condition.

Blue (%)	Red(%)	Green(%)	Color
100	100	100	Light Turquoise
0	100	100	Pistachio Green
0	0	100	Green
100	0	0	Blue
50	100	0	Purple
0	100	0	Red
0	0	0	Black and white display
0	100	10	Orange

Control area Variant 4



The icon for the option currently operating on the hood shall be active and displayed in white as shown in the figure above. Other icons shall not be displayed.



Slider screen: It shall always be active with a white color.

This screen operates with slide and drop logic. When the hood starts to operate with the 1st speed, appliance shall be brought to 2nd speed when the screen is slid and dropped once; and this procedure shall be repeated until the appliance reaches the required speed. The reverse of this procedure shall be applied to decrease speed. While setting the timer and dimmer, if you press the timer (⌚) inscription on the glass seven segments shall start to flash on the digital screen (88). When the user moves his/her finger slowly to the right keeping the finger pressed on the screen, the value on the screen shall increase up to 99 with increments of 1. User shall apply the reverse of this procedure to reduce the value. Same procedure applies for dimmer feature.

On/off Icon: When you touch this icon, hood starts to operate, and fan icon on the digital screen (🌀) shall start to rotate and (☐☐) seven segments shall be activated.

Timer Icon: The timer icon on the digital screen (⌚) shall be activated when you touch this icon.

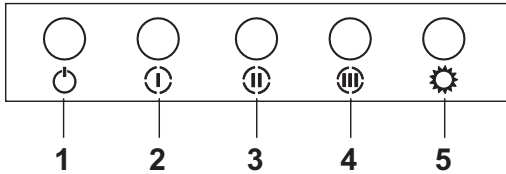
Lamba Simgesi: Lamp Icon: The lamp icon on the digital screen shall be activated when you touch this icon. To activate dimmer feature, user shall hold his/her finger pressed on the lamp icon as in the other products.

WASH FILTER: After 60 hours of operation, this icon shall be illuminated on the screen. User may remove this icon from the screen by pressing the on/off button after cleaning the filter.

Speed: This icon shall be activated when the appliance is operated. Also, dimmer and timer values shall be shown here.

! This explanation applies to models with touchscreen slider switch

Control area Variant 5



- 1- Press this button to turn on the appliance.
- 2- Press this button to operate the appliance in 3rd speed.
- 3- Press this button to operate the appliance in 3rd speed.
- 4- Press this button to operate the appliance in 3rd speed.
- 5- Press this button to turn on lamps of the appliance.

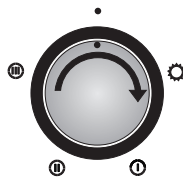
! This explanation applies to models with push button switch.

Cleaning Periods for the Metal Filters:
 Filters shall be cleaned every 2 to 3 weeks (as per frequency of operation) or when the “C” signal is shown on the display. After cleaning and installing the filters, press (①) button (when the appliance is turned off) to remove signal “C” for more than 3 seconds. “E” shall be indicated on the display and normal operation shall be resumed. If you want to resume operation without removing the “C” signal, active speed shall be displayed for 1 second when you press the (①) button and “ C ” signal shall be displayed again and the motor shall resume operation.

! “ C ” sign shall be displayed after 60 hours operation of the appliance.

! This explanation applies to models with djt switch.

Control area Variant 6



3 spd Push Pull Switch Positions



5 spd Push Pull Switch Positions

Push the button down and bring it to the desired position to select the desired speed of the appliance.

Replacement of Halogen Lamps

! Disconnect the hood from mains

To replace halogen bulbs, press down from the rear side of the lamp socket and pull the lamp downwards, then rotate it a little clockwise and remove it downwards. **Figure 15**

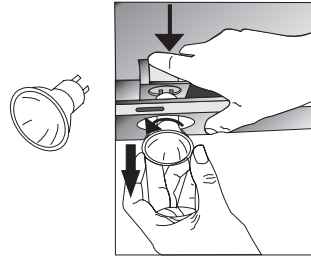


Figure 15

Replacement of Glow Bulbs

Disconnect the hood from mains. Remove the aluminum cartridge filter.

Remove the faulty bulb and replace with a new one with the same rating. (Lamps may burn your hand when they are hot, wait until they are cooled off.)

In order to replace the lamp, remove the glass cover on the lamp with an object that would not scratch the surface of the appliance as shown in **Figure 16**. Pull down and remove the faulty lamp and replace with a new one.

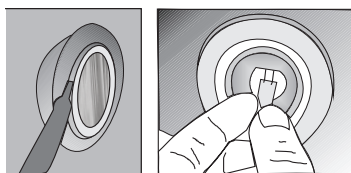


Figure 16

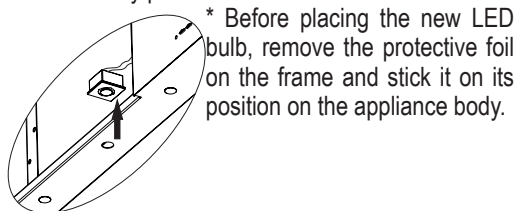
REPLACING THE LAMPS

Disconnect the hood from mains.

*Remove the power connection of LED lamp.

*Press on the lamp with your hand to remove the lamps.

*Remove the adhesive tape around the lamp frame from the body plate.



* Before placing the new LED bulb, remove the protective foil on the frame and stick it on its position on the appliance body.

Replacement of Glow Bulbs

! Disconnect the hood from mains.

Remove the aluminum cartridge filter. Remove the faulty bulb and replace with a new one with the same rating. (Lamps may burn your hand when they are hot, wait until they are cooled off.) **Figure 17**

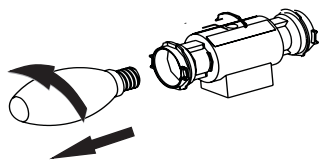


Figure 17

If the hood does not operate:

Before contacting the service:

Ensure that plug is installed on the outlet and that the power fuse in the installation is OK; do not perform any operations that may damage the appliance. Check your appliance as per Table 1 before contacting the service. Contact your dealer or nearest authorized service if the problem is resumed.

Before Contacting Authorized Dealer

• Ensure that the appliance is plugged in the outlet and that the fuses are OK.

If the Lighting Does Not Operate:

• Ensure that the appliance is plugged in the outlet and that the fuses are OK.

• Check the bulbs. Always unplug the appliance during this check. Tighten if the bulbs are loosened; you may replace them if they do not turn on although you have tightened them.

Possible Faults and Things To Do Before Contacting the Service:

A) If the appliance does not operate anyway:

- Check the fuse that the appliance is connected and main fuse of your home.

- Check whether the hood is plugged and whether the plug is fully seated on the outlet.

B) If the performance of the appliance is not enough or operates loudly:

- Is the outlet diameter of the flue adequate? (min. 120 mm).

- Are metal filters clean? Check it.

- Ensure that the carbon filters are not older than 6 months if you are using the hood flueless.

- Make sure that your kitchen is adequately ventilated to ensure the air flow.

Contact authorized service if the performance of your appliance does not still satisfy you.

	Check electric connection (Voltage of electric network should be between 220/240 V) (Cooker hood should be connected to ground)	Check motor switch (Motor switch should be in position)	Check motor switch (Motor switch should be in position)	Check aluminum filter (Aluminum Case Filter should be washed once a month in normal conditions.)	Check lamps (Lamps should be firm.)	Check outlet (Outlet should be open)	Check Carbon Filter (Carbon filter should be replaced with a new one each 2-3 months at models with Carbon Filter at normal conditions)
Cooker-hood does not work	✓	✓					
Illumination Lamp does not work	✓		✓		✓		
Cooker-hoods air suction is weak				✓		✓	✓
Cooker-hood does not direct air out (at places without chimney)				✓			✓

Table 1

TECHNICAL SPECIFICATIONS

Feeding Voltage	220-240 V 50Hz
Motor Isolation Class	F
Isolation Class	CLASS I