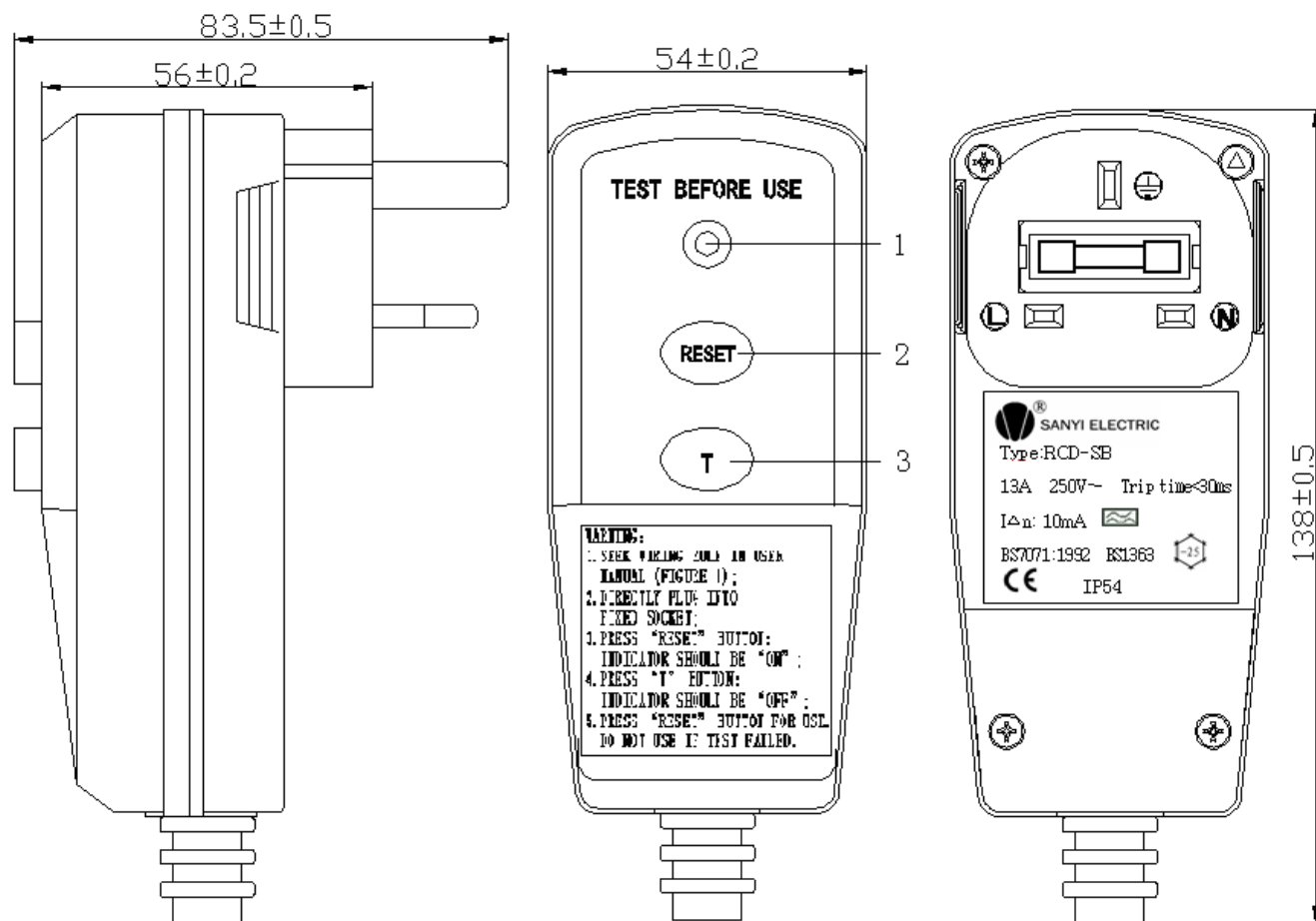


User Manual (Type: RCD-SB)

1 Product schematic drawing



Remarks

1: Indicator

2: Reset Button

3: Test Button

2 Instructions

TEST BEFORE USE

WARNING

- 1). SEEK WIRING RULE IN USER MANUAL (Figure 1);
- 2). DIRECTLY PLUG INTO FIXED SOCKET;
- 3). PRESS "RESET" BUTTON: INDICATOR SHOULD BE "ON";
- 4). PRESS "T" BUTTON: INDICATOR SHOULD BE "OFF";
- 5). PRESS "RESET" BUTTON FOR USE.
DO NOT USE IF TEST FAILED.

3 Other instruction

- 1: The maximum value of the mean daily ambient temperature is $+35^{\circ}C$ and the maximum range is between $-25^{\circ}C$ to $40^{\circ}C$.
- 2: Altitude: Not exceeding 2 000 m.
- 3: Do not use the device in the atmosphere that excessive pollution by smoke, chemical or flammable fumes, salt-laden spray, prolonged periods of high humidity or other abnormal conditions.
- 4: After the item 1)-5), the device is ready for use. The device shall not be used if it fails to operate correctly in accordance with the test sequence listed above. In this case, please unplug the device from the fixed socket.
- 5: Please make sure the device can work normally by conducting the above operation sequence at first to protect against unexpected electric leakage hazard before use. Don't misuse such as dropping, immersion, etc.

- 6: In case of electric leakage, the device will automatically shut off the power supply and prevent electricity reaching human bodies.
- 7: Seek advice from manufacturer or responsible vender or a competent electrician for solution if the device repeatedly trips with an appliance connected or if it fails to pass the test sequence listed above.
- 8: Misuse of electricity can be dangerous, the use of a PRCD cannot be regarded as substitute for basic electrical safety, please unplug the PRCD to achieve isolation.
9. The device does not guard against electric shock resulting from contact with both circuit conductors.

Manufacturer: JiangSu HuaiYin Suyi Electric Appliance CO., LTD.

Address: Shenzhen Road, Economic Development Zone, Huaian, Jiangsu, P.R. China 223005

Tel: 0086-517-83717767 83717772

Fax: 0086-517-83717973

Wiring rule (figure 1)

FIT WITH FLEXIBLE CORD of BS 6500.

Maximum cross-section and length of conductor: 3G1.5mm²/2m

Minimum cross-section and maximum length of conductor: 3G0.75mm²/2m

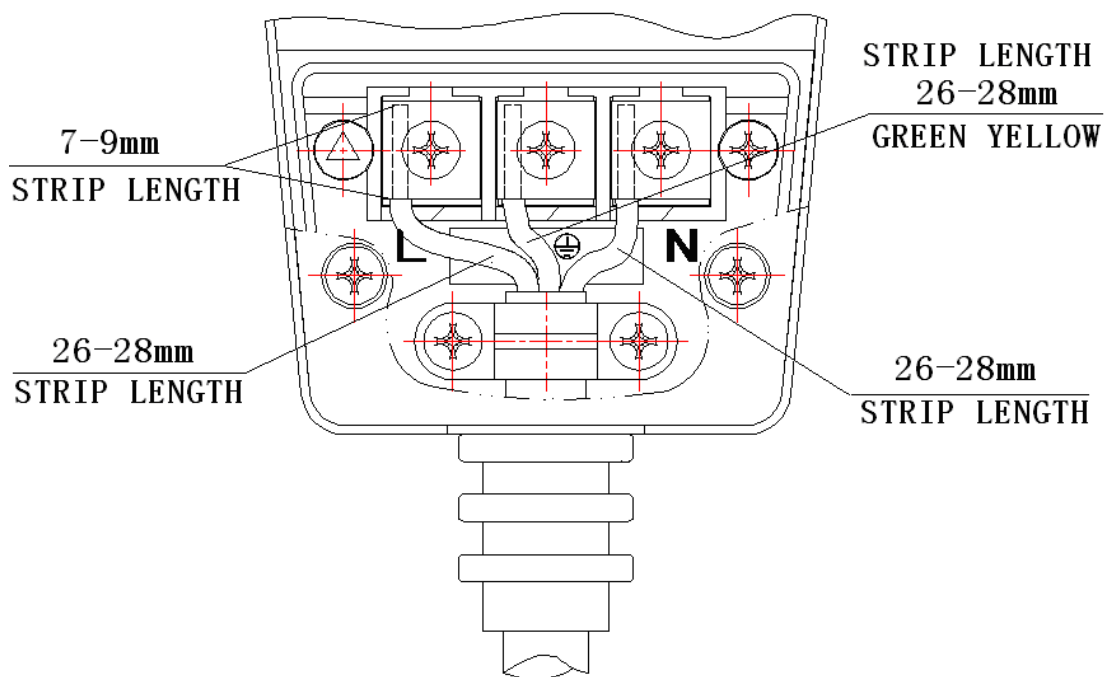


Figure 1