

NEW-HANK

QUALITY AV PRODUCTS

7" LCD FIELD MONITOR

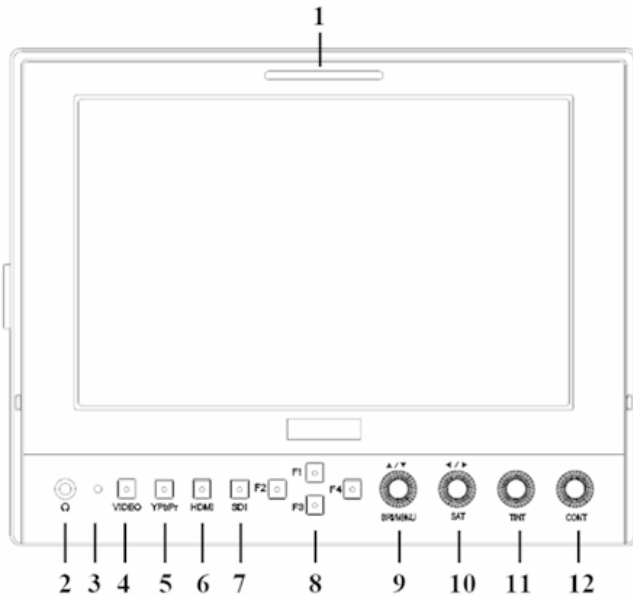


USER MANUAL

SUMMARY

1. PRODUCT DESCRIPTION	3
2. INSTALLATION OF SUNSHADE COVER	5
3. DV BATTERY MOUNT PLATE	6
4. WIRING INSTRUCTIONS	7
5. SETTING MENU	8
6. SPECIFICATIONS.....	13
7. ACCESSORIES.....	13
8. TROUBLE SHOOTING	14
9. WARRANTY AND CONTACTS	14

1. PRODUCT DESCRIPTION



1. TALLY (indicator light).
2. Earphone jack.
3. Power indicator light: ON/OFF (Light turns to red when power on).
4. VIDEO: Indicator lights up when signal switch to video state.
5. YPbPr: Indicator lights up when signal switch to YPbPr state.
6. HDMI: Indicator lights up when signal switch to HDMI state.
7. SDI: Indicator lights up when signal switch to SDI state
8. F1, F2, F3, F4:User-definable buttons.

Default functions:

F1 Camera	F2 H/V Delay
F3 Check Field	F4 Center Marker
F1 Peaking	F2 False Color
F3 Exposure	F4 Histogram

(function customized to meet your needs)

9. Knob BRI/MENU: Press the knob to access the menu function, pressing the knob in the menu to return to the previous page or exit the menu. Rotate knob to select an option.

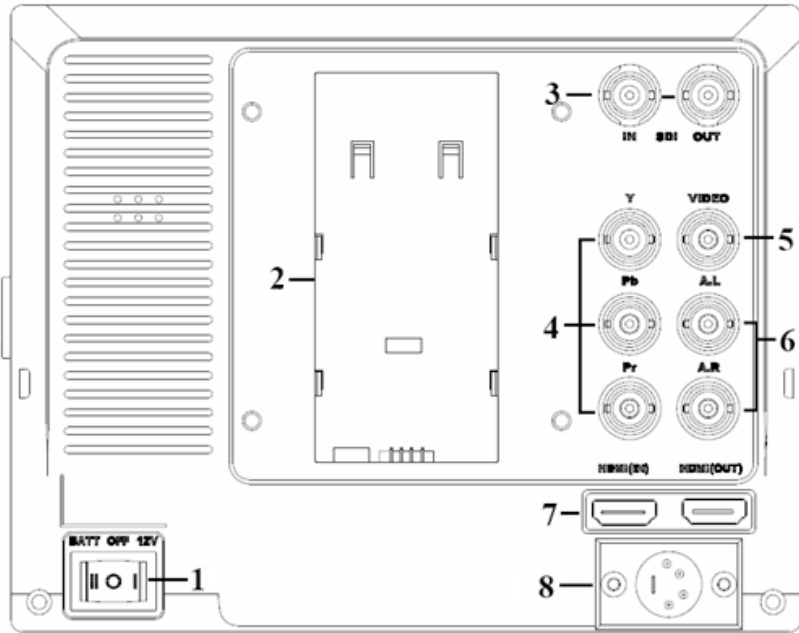
Default as Brightness function.

10. Knob SAT: Press the knob to select main MENU options; rotate knob to confirm the selection and adjust parameter values.

Default as Saturation function.

11. Knob TINT: Default as Tint function.

12. Knob CONT: Default as Contrast function.



1. Battery power on/off switch: “I” is battery power; “O” is power off; “|” is DC power.
2. Battery pinch slots.
3. SDI signal input / output interface.
4. YPbPr signal input interface.
5. Audio signal input.
6. Audio (L/R) input.
7. HDMI (High Definition Multimedia Interface) signal input / output.
8. 4-pin XLR DC power input.

	Pin number	Signal
	①	GND
	②③
	④	+12V

Ps: Unavailable under SDI mode 26 (USB 5V/0.5A output power).

2. INSTALLATION OF SUNSHADE COVER

- ① As shown, buckle the sunshade cover on the device.
- ② As shown, cover buttoned into the appropriate slot, and fastened in accordance with the order of the both sides.

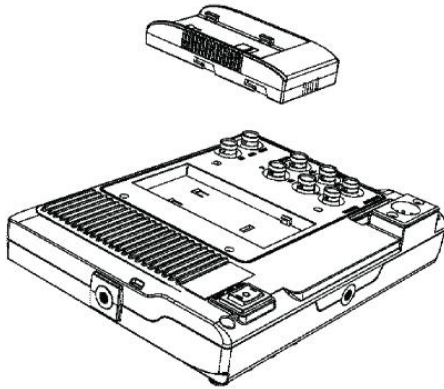


- ③ As shown, bend sunshade panel to meet and paste with sunshade cover interlocking.
- ④ Installation completed.



3. DV BATTERY MOUNT PLATE

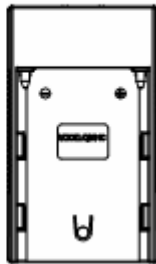
Standard mounts process



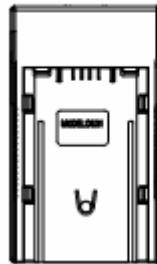
Following three types of battery plates are suitable for this device, model F970, QM91D, DU21 & LP-E6 (choose 2 out of 4).



MODEL: F-970



MODEL: QM91D



MODEL: DU21



MODEL: LP-E6

DV Battery Mount Plate:

DV Battery Mount Plate Specification:

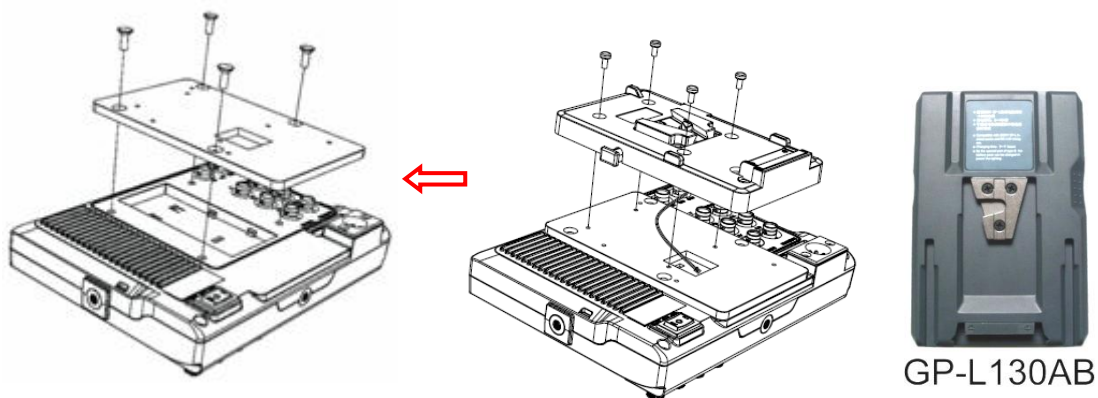
Model DU21 for battery of Panasonic DV: NV-GS/PV-GS/DZ-MV/GS/H28/H258/H288GK series, comply with Panasonic battery DU06/VBD140/SANYO DZhs301sw/Hitachi DZ-HS303SW/BZ-BP14S/DZ3200/BP07W.

Model QM91D for battery of SONY DV: DSCR1/F/S/MVCCD/E/HC15E/HC1E/AE1u/DCRTRV828/E/CCD-TRV116/DCR-DVD/PS105K/300K/10P/1E series.

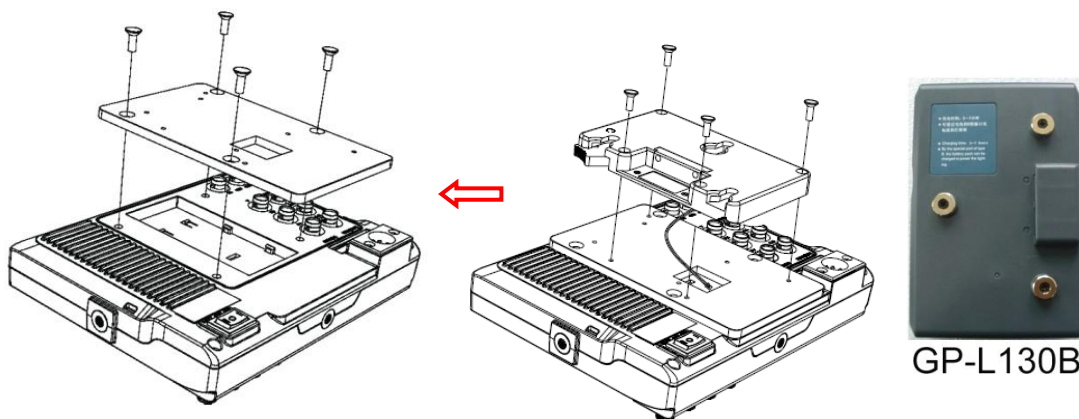
Model F970 for battery of SONY DV: DCR-TRV series, DCR-TRV E series, VX2100E PD P series, GV-A700, GV-D800 FD/CCD-SC/TR3/FX1E/HVR-AIC, HDR-FX1000E, HVR-Z1C, HVR-V1C, FX7E F330.

Model LP-E6 for battery of Canon DSLR: 5D Mark II/EOS7D/EOS60D

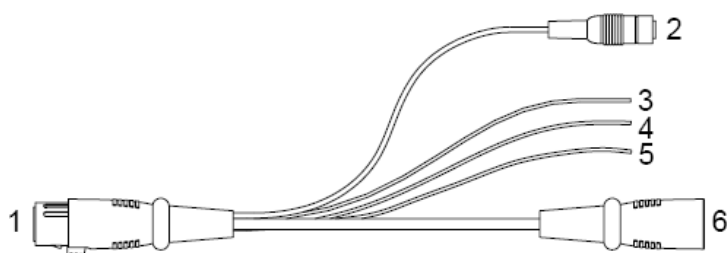
V-mount battery plate (optional): Please refer to GP-L130AB type battery specifications.



Anton Bauer mount battery plate (optional): Please refer to GP-L130B type battery specifications.



4. WIRING INSTRUCTIONS



- 1- XLR (M) connector: to connect the XLR connector on device.
- 2- DC Power adapter connector.
- 3- Red: for TALLY red light connector.
- 4- Green: for TALLY green light connector.
- 5- Black: for grounding.
- 6- XLR (F) connector: for the XLR adapter.

5. SETTING MENU

Before setting the functions, please make sure the device is connected correctly.

When power on, press BRI/M/SEL knob on the device, function menus will pop-up on the screen. After confirm the option value, then press BRI/M/SEL knob to return to the previous, and press the BRI/M/SEL knob again to exit the menu settings.

BRI / M / SEL knob to select an option.

SAT / ADJ knob to select the main menu, adjusting option values and confirm the selection.



Color Temp

Settings: User, 6500°K, 7500 °K, 9300 °K

Default: User

On User mode, user can adjust RGB gain and bias. User mode is recommended for professional users only.

Check Field

Settings: Off, Mono, Red, Green, Blue

Default: Off

Setting Mono, Red, Green or Blue display color.

Aspect Ratio

Settings: 4:3, 16:9, Full Screen.

Default: 4:3

Setting screen aspect ratio: 4:3, 16:9 and full screen.

Pixel-to-Pixel

Setting: On, Off

Default: Off

Shows the original picture with 1:1 pixel mapping, if the picture is larger than the monitor's LCD resolution, the center part of the picture is shown. BRI / M / SEL knob operation you can see part of the picture is not completely display.

Camera

Settings: 480P, 1080I

Default: 480P

For 480P screen pixel DSLR camera, such as Canon 5D II camera

For 1080I screen pixel DSLR camera, such as Canon 5D III camera

H/V delay

Settings: Off, H&V delay, V delay, H delay.

Default: Off

H/V Delay allows you to check the outside signal of active picture area. This mode is for broadcast professionals.

Underscan

Settings: On, Off

Default: Off

HDMI monitor can not display the best resolution pixel-to-pixel mode , the output resolution is smaller than the display resolution , the display will appear black side of this situation is called HDMI underscan; Conversely , the display You can not display the entire contents of the image that HDMI overscan. Underscan / Overscan principle each pixel point average tensile or compression so that the image can be completely displayed on the screen.



Center Marker

Settings: On, Off

Default: Off

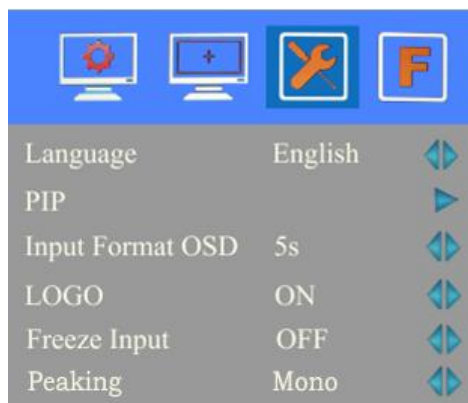
Set to display center marker or not.

Screen Markers

Settings: Off, 95%, 93%, 90%, 88%, 85%, 80%

Default: Off

The box -shaped mark display on or off can be set in accordance with the desired ratio.



Language

Settings: English, Chinese

Default: English

Set English/ Chinese switch.

PIP

Settings: Small, Medium, Large, PBP, POP

Default: Small

PIP top life of the display default, Set small, medium, large screen in screen, as well as painting outside source adjustments and interchangeable , the small screen , screen and big screen , you can also adjust the display position , respectively, for the upper left , upper right , lower left and lower right. Shortcut key of PIP function will be available after setting in the menu.

SDI

Settings: On, Off

Default: Off

Connect 3G-SDI signal can be set to turn on or off .

Input Format OSD

Settings: 5s, 10s, 15s

Default: 5s

The menu signal display period , display the length of time can be set according to individual needs.

LOGO

Settings: On, Off
Default: Off
Boot LOGO settings.

Freeze Input

Settings: On, Off
Default: Off
Lock screen displays the current mode.

Flip H

Settings: On, Off
Default: Off
As like a mirror, the effect of an interface Flip Horizontal displayed locked.

Flip V

Settings: On, Off
Default: Off
As like a mirror, the effect of an interface Flip Vertical displayed locked.

Peaking

Settings: Mono, Color
Default: Mono
Adjust Mono or Color.

Assistant Func.

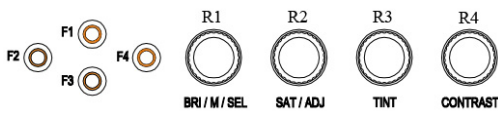
Settings: Manual, Auto
Default: Auto
Auxiliary functions automatically. Automatically set to adjust the brightness , contrast and hue corresponding menu function can also be set manually.

Manufacturer Default

Settings: OK, Cancel
Default: Cancel
When on the picture shows size error, "Manufacturer default" operation of the equipment, which restore the factory settings, the previous record on the device no default to factory settings. Reverse the SAT / ADJ knob to select "OK".

ISP

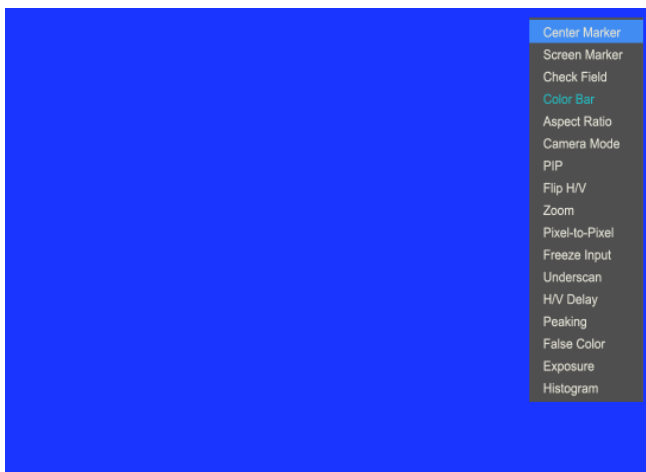
For program upgrades, Please reboot your computer if press accidentally



Function of buttons and knobs can be customized by users' needs.

Functions of F1-F4 buttons can also be customized: Center Marker, Screen Marker, Check Field, Color Bar, Camera, PIP, Flip, Zoom, Pixel-to-Pixel, Freeze Input, Underscan, H/V delay, Peaking, False Color, Exposure and Histogram.

Long keep press any F1-F4 button to pop-up shortcut menu when screen without a menu. As follows (item selected default as blue font):



Functions of R1-R4 buttons can also be customized: Contrast, Brightness, Saturation, Tint, Volume, Sharpness and Back Light.

6. SPECIFICATIONS

Panel	7"
Physical Resolution	1280x800
Brightness	400cd/m ²
Contrast	800:1
Viewing Angle	178°/ 178°(H/V)
Input Voltage	DC 12V (XLR Connector)
Power Consumption	≤11W
Operating Temperature	-20℃~60℃
Storage Temperature	-30℃~70℃
Dimension(LWD)	191.5×152×31mm / 141 (with cover)
Weight	760g / 938g (with cover)

7. ACCESSORIES

- | | |
|---------------------------------|----------|
| 1. Sun Shade Cover | 1 piece |
| 2. Battery plate (QM91D/DU21) | 2 pieces |
| 3. HDMI A/C cable | 1 piece |
| 4. Power & TALLY cable | 1 piece |
| 5. Shoe Mount (for camera only) | 1 piece |
| 6. 12V DC adapter | 1 piece |
| 7. Suitcase | 1 piece |
| 8. Manual | 1 copy |



8. TROUBLE SHOOTING

1. Only black-and-white display:

- Check whether the color saturation is properly setup.


2. Power on but no pictures:

- Check whether the cables of Video (or SDI), HDMI and YPbPr are correctly connected or not. Please use the standard power adapter coming with the product package. Improper power input may cause damage.


3. Wrong or abnormal colors:

- Check whether the cables are correctly and properly connected. Broken or loose pins of the cables may cause a bad connection.
- Adjust the color temperature or saturation values to make it displayed as normal proportion.

4. When on the picture shows size error:

- press "MENU" →  → "Underscan" to zoom in/out pictures automatically when receiving HDMI (High-Definition Multimedia Interface) signals.
 - Set shortcut key to zoom function, and then adjust it.
 - Check whether the aspect ratio switch into 16:9 or not.

5. Other problems:

- Please press "MENU" button and choose " → Manufacturer Default → OK"

6. According to the ISP, the machine can not function properly:

- ISP for program upgrades, non-professionals do not use. If accidentally press this key, restart the system.

* It is normal to see some bright lines appear on the screen when turn off the device.

Note: due to constant effort to improve products and product features, specifications may change without notice.

9. WARRANTY AND CONTACTS

The warranty of this product is 1 year Parts and Labor from the date of purchase. If the fault in the product is due to improper use of the product or operations carried out by third parties, the warranty is lost. If the product frame is open, the warranty is lost.

During the warranty period, the unit will be repaired free of charge. Return shipping are the responsibility of the customer. Return shipping have to be made through your local distributor/dealer.

For any question during the installation, contact our after sales service on the following address:
info@newhank.com