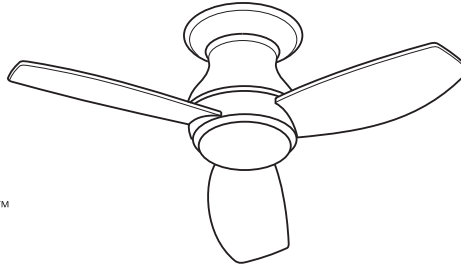


READ AND SAVE THESE INSTRUCTIONS



CURVA SKY™

44" & 52" Damp & Wet Location Snugger Ceiling Fan Owner's Manual

**44" Model Numbers
for Damp Locations**

CF144BS00
Brushed Steel

CF144CRM00
Chrome

**44" Model Numbers
for Wet Locations**

CF144WW00
Appliance White

CF144ORB00
Oil Rubbed Bronze

Net Weight: 18.5 Lbs.

**52" Model Numbers
for Damp Locations**

CF152BS00
Brushed Steel

CF152CRM00
Chrome

**52" Model Numbers
for Wet Locations**

CF152WW00
Appliance White

CF152ORB00
Oil Rubbed Bronze

Net Weight: 19.4 Lbs.

 **WARNING**

WARNING: To avoid fire, shock, and serious personal injury, follow these instructions.

Safety Instructions

1. Read your owner's manual carefully and keep it for future reference.
2. Before servicing or cleaning unit, switch power off at service panel and lock service panel disconnecting means to prevent power from being switched on accidentally. When the service disconnecting means cannot be locked, securely fasten a warning device, such as a tag, to the service panel.
3. Be careful of the fan and blades when cleaning, painting, or working near the fan. Always turn off the power to the ceiling fan before servicing.
4. Do not put anything into the fan blades while they are turning.

Additional Safety Instructions for Installation

1. To avoid possible shock, be sure electricity is turned off at the fuse box before wiring, and do not operate fan without blades.
2. The installation is to be in accordance with the National Electrical Code, ANSI/NFPA 70-2008 and Local Codes. Use the National Electrical Code if Local Codes do not exist. The ceiling fan must be grounded as a precaution against possible electrical shock. Electrical installation should be made or approved by a licensed electrician.
3. The outlet box and joist must be securely mounted and capable of reliably supporting at least 50 pounds. Use only U.L. outlet boxes listed as "Acceptable for Fan Support", and use the mounting screws provided with the outlet box. Most outlet boxes commonly used for support of light fixtures are not acceptable for fan support and may need to be replaced. Consult a qualified electrician if in doubt.
4. The fan must be mounted with the fan blades at least 7 feet from the floor to prevent accidental contact with the fan blades.
5. Follow the recommended instructions for the proper method of wiring your ceiling fan. If you do not know enough about electrical wiring, have your fan installed by a licensed electrician.

NOTE: This fan is suitable for use with solid-state speed controls.

WARNING: To reduce the risk of fire or electric shock, this fan should only be used with fan speed control Model No. UC8013G, manufactured by Rhine Electric Co., Ltd.

WARNING: This product is designed to use only those parts supplied with this product and/or any accessories designated specifically for use with this product by Emerson Electric Co. Substitution of parts or accessories not designated for use with this product by Emerson Electric Co. could result in personal injury or property damage.

WARNING: To reduce the risk of personal injury, do not bend the blade flange when installing the blade flanges, balancing the blades or cleaning the fan. Do not insert foreign objects in between rotating fan blades.

WARNING: To reduce the risk of electric shock, this fan must be installed with an isolating remote control/switch.

DATE CODE: _____

The date code of this fan may be found on the box, stamped in ink on a white label. You should record this data above and keep it in a safe place for future use.

THE FAN MODELS CF144BS, CF144CRM, CF152BS & CF152CRM ARE SUITABLE FOR DAMP LOCATIONS SUCH AS COVERED PORCHES, COVERED PATIOS, AND COVERED DECKS...ANYWHERE THERE IS A ROOF OVERHEAD.

THE FAN MODELS CF144WW, CF144ORB, CF152WW & CF152ORB ARE SUITABLE FOR WET LOCATIONS SUCH AS PORCHES, PATIOS, AND DECKS.

This Manual is Designed to Make it as Easy as Possible for You to Assemble, Install, Operate and Maintain Your Ceiling Fan

Tools Needed for Assembly

- One Phillips head screwdriver
- One wire stripper
- One stepladder

Installed Wire Length	Wire Size A.W.G.
Up to 50 ft.	14
50-100 ft.	12

Materials

Wiring, outlet box and box connectors must be of type required by the local code. The minimum wire would be a 3-conductor (2-wire with ground) of the following sizes:

⚠ WARNING

Before assembling your ceiling fan, refer to section on proper method of wiring your fan (Page 7). If you feel you do not have enough wiring knowledge or experience, have your fan installed by a licensed electrician.

Unpacking Instructions

For your convenience, check-off boxes are provided next to each step. As each step is completed, place a check mark in the box. This will insure that all steps have been completed and will be helpful in finding your place should you be interrupted.

⚠ WARNING

Do not install or use fan if any part is damaged or missing. Call Toll-Free:
1-800-654-3545

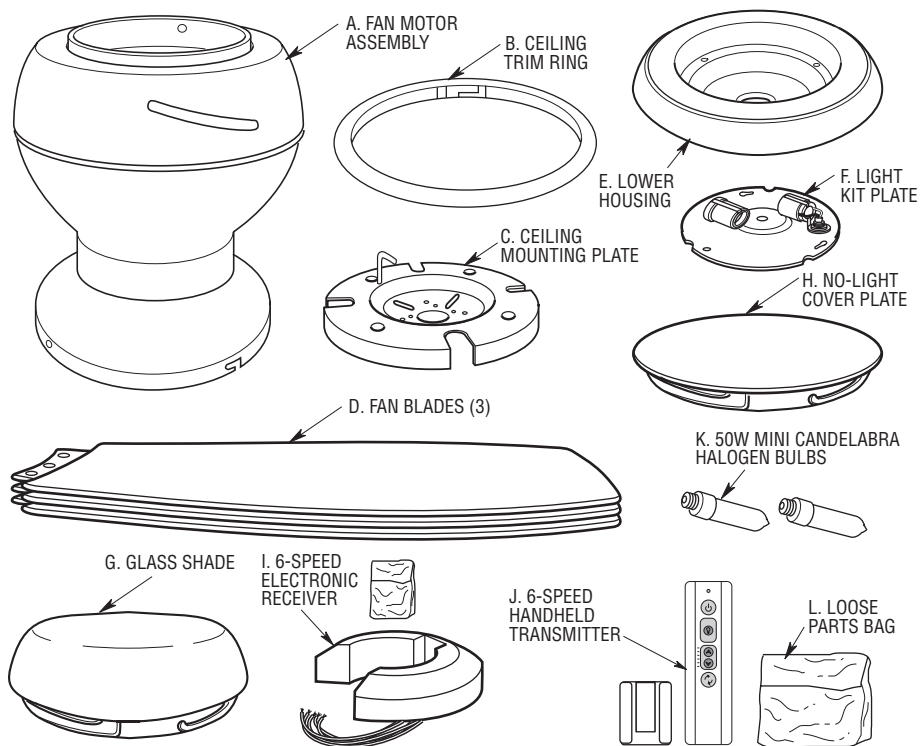
⚠ WARNING

This product is designed to use only those parts supplied with this product and/or any accessories designated specifically for use with this product by Emerson Electric Co. Substitution of parts or accessories not designated for use with this product by Emerson Electric Co. could result in personal injury or property damage.

- a. Fan motor assembly
- b. One ceiling trim ring
- c. One ceiling mounting plate
- d. Three fan blades
- e. One lower housing
- f. One light kit plate
- g. One glass shade
- h. One no-light cover plate
- i. One 6-speed electronic receiver control with parts bag
- j. One 6-speed handheld transmitter with wall bracket
- k. Two 50W halogen mini candelabra bulbs
- l. One loose parts bag containing:
 - 1. Three 12 ga. wire connectors
 - 2. One spare M5 x 10mm pan head ceiling cover screw
 - 3. Ten M5 x 16mm flange head blade screws
 - 4. One spare M4 x 10mm pan head screw for lower housing and light kit
 - 5. One balancing kit

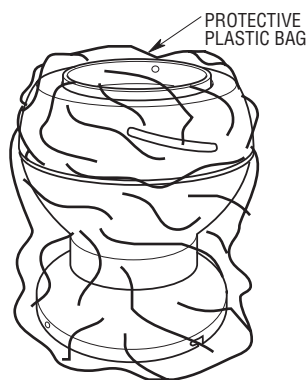
- 1. Open carton containing fan. Remove top half of styrofoam unit. Remove parts and check to see that you have received the following parts:

NOTE: If you are uncertain of part description, refer to exploded view illustration.



NOTE: Place the parts from the loose parts bags in a small container to keep them from being lost.

- 2. Remove the fan motor assembly from the protective plastic bag. Place all carton contents on a protective surface.



Electrical Requirements

IMPORTANT: Your ceiling fan will not function properly, and may be damaged, if used with any wall dimmer switch or control other than the Emerson Electric Fan/Light Remote Control supplied with the fan.

Your new ceiling fan will require a grounded electrical supply line of 120 volts AC, 60 Hz, 15 amp circuit.

The outlet box must be securely anchored and capable of withstanding a load of at least 50 pounds.

⚠ WARNING

To reduce the risk of fire, electric shock, or personal injury, mount fan to outlet box marked "Acceptable for Fan Support", and use screws supplied with outlet box. Most outlet boxes commonly used for support of light fixtures are not acceptable for fan support and may need to be replaced. Consult a qualified electrician if in doubt.

If your fan is to replace an existing ceiling light fixture, turn electricity off at the main fuse or circuit breaker box at this time and remove the existing light fixture.

⚠ WARNING

Turning off wall switch is not sufficient. To avoid possible electrical shock, be sure electricity is turned off at the main fuse or circuit breaker box before wiring. All wiring must be in accordance with National and Local codes and the ceiling fan must be properly grounded as a precaution against possible electrical shock.

Ceiling Fan Procedures

General

Your Emerson ceiling fan comes supplied with a Fan/Light Remote Control which consists of a receiver mounted inside the ceiling cover of the fan motor housing. This system allows you to regulate your ceiling fan speed and light intensity.

How to Assemble Your Ceiling Fan

1. Position the fan motor assembly upside down in preparation for mounting the three fan blades.
2. Slide blade through blade slot in fan housing assembly. Mount blade to fan housing using three M5 x 16mm flange head blade screws (Figure 1).

NOTE: Take care not to scratch fan housing assembly when installing blades.

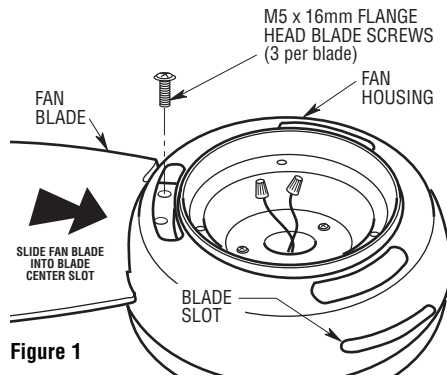


Figure 1

3. Complete the remaining two blades installation per the above instructions.
4. Remove one of the three screws in the motor housing assembly and loosen the remaining two screws (Figure 2).
5. Attach the lower housing assembly to the fan motor using the two key slot holes (Figure 2). Secure the lower housing assembly by tightening the two screws. Reinstall the screw that was previously removed.

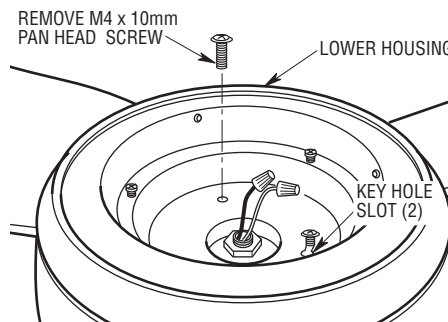


Figure 2

- 6. Remove and retain the wire connectors from the white and blue wires.
- 7. Connect the white wire from the ceiling fan to the white wire of the light kit plate (Figure 3). Connect the blue wire from the ceiling fan to the black wire of the light kit plate. Use wire connectors (previously removed) to make connections.
- 8. Remove one of the three screws in the lower housing and loosen the remaining two screws (Figure 3).

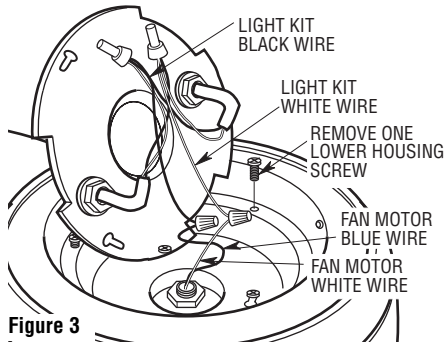


Figure 3

- 9. Tuck the wires and connectors into the fan housing. Position the light kit plate into the fan housing by placing the cut out notches over the fan housing dimples (Figure 4).

NOTE: Make sure all wires and connectors are tucked under the light kit plate and not pinched between light kit plate and fan housing.

- 10. Attach the light kit plate assembly to the lower housing using two key slot holes (Figure 4). Secure the light kit plate assembly by tightening the two screws. Reinstall the screw that was previously removed.

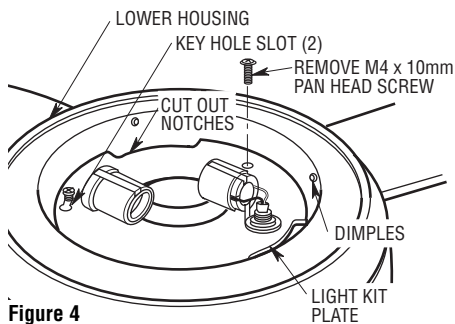


Figure 4

How to Hang Your Ceiling Fan

⚠ WARNING

The fan must be hung with at least 7' of clearance from floor to blades (Figure 5).

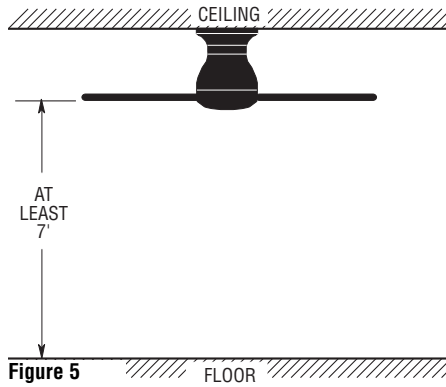


Figure 5

⚠ WARNING

The outlet box and joist must be securely mounted and capable of supporting at least 50 lbs. Use only a U.L. outlet box listed as "Acceptable for Fan Support".

⚠ WARNING

To reduce the risk of fire, electric shock, or personal injury, mount fan to outlet box marked "Acceptable for Fan Support", and use screws supplied with outlet box. Most outlet boxes commonly used for support of light fixtures are not acceptable for fan support and may need to be replaced. Consult a qualified electrician if in doubt.

- 1. Disconnect electrical power to the branch circuit at the circuit breaker or fuse box before attempting to install the ceiling fan mounting plate on the outlet box.

⚠ WARNING

Turning off wall switch is not sufficient. To avoid possible electrical shock, be sure electricity is turned off at the main fuse or circuit breaker box before wiring. All wiring must be in accordance with National and Local codes and the ceiling fan must be properly grounded as a precaution against possible electrical shock.

- 2. Pull the electrical supply black, white and ground wires through the center opening of the ceiling mounting plate before securing the plate to the outlet box (Figure 6).
- 3. Position the ceiling mounting plate onto the outlet box and secure using the two outlet box screws, supplied with outlet box (Figure 6).

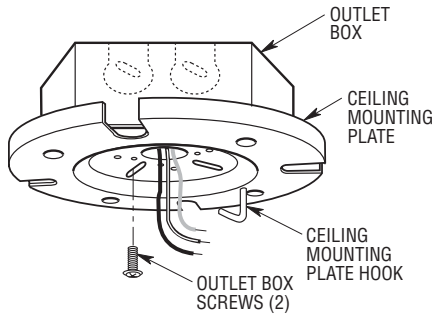


Figure 6

- 4. Slide the ceiling trim ring over the fan motor assembly and let it rest on the motor assembly (Figure 7).

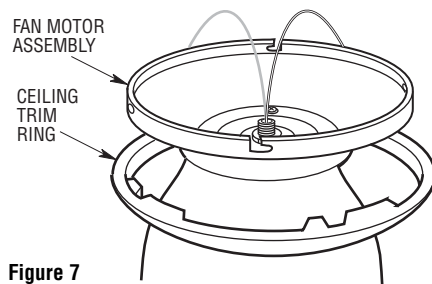


Figure 7

- 5. Place the motor assembly onto the ceiling mounting plate hook during wiring fan motor assembly to outlet box (Figure 8).

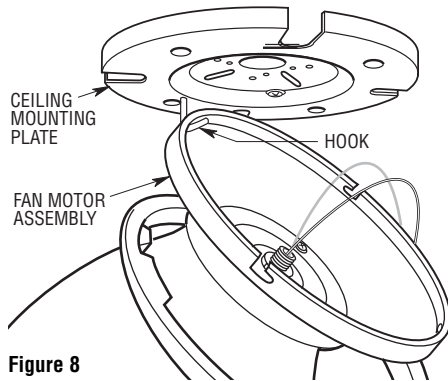


Figure 8

How to Wire Your Ceiling Fan

If you feel that you do not have enough electrical wiring knowledge or experience, have your fan installed by a licensed electrician.

⚠ WARNING

Turning off wall switch is not sufficient. To avoid possible electrical shock, be sure electricity is turned off at the main fuse box before wiring. All wiring must be in accordance with National and Local codes and the ceiling fan must be properly grounded as a precaution against possible electrical shock.

CAUTION: To reduce the risk of electrical shock, disconnect the electrical supply circuit before installing the fan, light kit or receiver.

NOTE: Make all wiring connections using wire connectors (supplied). Make sure that all connections are tight, including ground, and that no bare wire is visible at the wire connectors, except for the ground wire.

- 1. Position the receiver into the fan motor housing as shown in Figure 9.
- 2. Refer to Figures 9 and 10 to connect the receiver wires to the supply wires and the fan motor wires using the wire connectors supplied with the fan as follows:
 - a. Securely connect the green grounding wire from the ceiling mounting plate to the supply green grounding conductor (this may be a bare wire or a wire with green insulation).
 - b. Securely connect the supply white (neutral) wire to the receiver white (AC IN N)/(TO MOTOR N) wire and white (neutral) fan wire.
 - c. Securely connect the supply black wire to the receiver black/white (AC IN L) wire.
 - d. Securely connect the fan motor black wire to the receiver black (TO MOTOR L) wire.
 - e. Securely connect the fan motor blue wire to the receiver blue (FOR BOTTOM LIGHT) wire.

⚠ WARNING
 Check to see that all connections are tight, including ground, and that no bare wire is visible at the wire connectors, except for the ground wire. Do not operate fan until blades are in place. Noise and fan damage could result.

⚠ WARNING
 To avoid possible fire or shock, make sure that the electrical wires are completely inside the outlet box and not pinched between the ceiling mounting plate and the fan motor housing assembly.

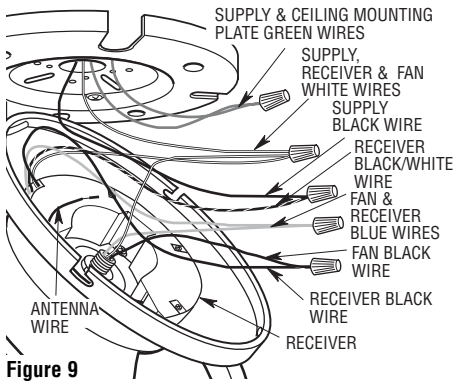


Figure 9

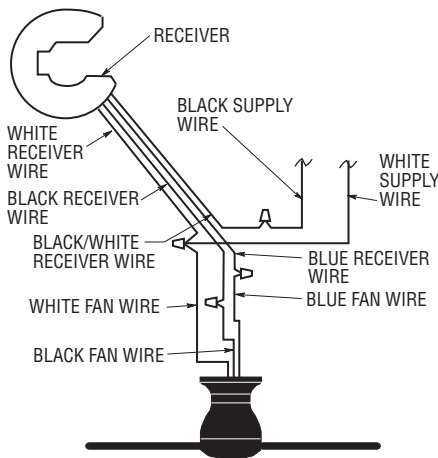


Figure 10

- 3. After connections have been made, turn leads upward and carefully push leads into the outlet box, with the white and green leads on one side of the outlet box and the black and blue leads on the other inside of the outlet box.

- 4. Remove one of the four screws in the ceiling mounting plate and loosen the remaining three screws (Figure 11).
- 5. Unhook the fan motor housing from the ceiling mounting plate hook and lift the fan motor housing assembly up to the ceiling mounting plate. Align and engage the motor assembly slots with the three screw heads previously loosened by rotating the fan motor housing assembly clockwise. Install the previously removed M5 x 10mm screw and secure the assembly to the plate (Figure 11). Completely tighten all four screws.

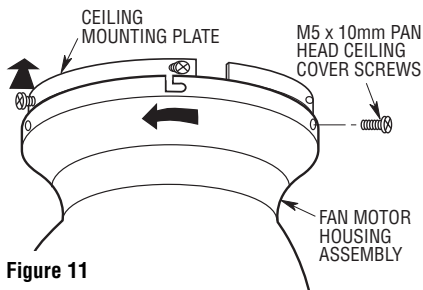


Figure 11

- 6. Position the ceiling trim ring over each of the protruding ceiling cover screw heads and rotate the ceiling trim ring clockwise to secure (Figure 12).

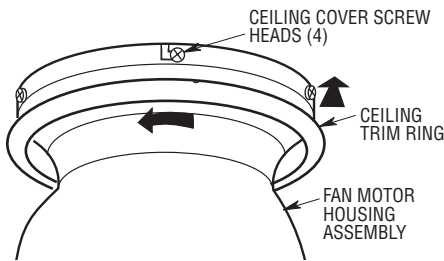


Figure 12

How to Assemble Your Light Kit Glass Shade

- 1. Screw in two 50-watt (maximum) halogen mini candelabra base bulbs in the light kit plate sockets (Figure 13).

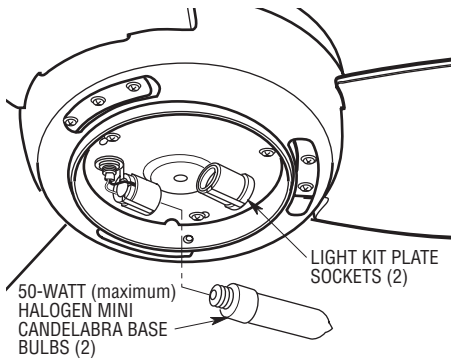


Figure 13

- 2. Place the glass shade into the opening in the fan motor housing assembly, aligning the three flat areas on the top edge of the glass with the three raised dimples on the fan motor housing assembly and turn the glass shade clockwise until it stops (Figure 14).

NOTE: periodically check that the glass shade is seated fully clockwise in the fan motor housing assembly.

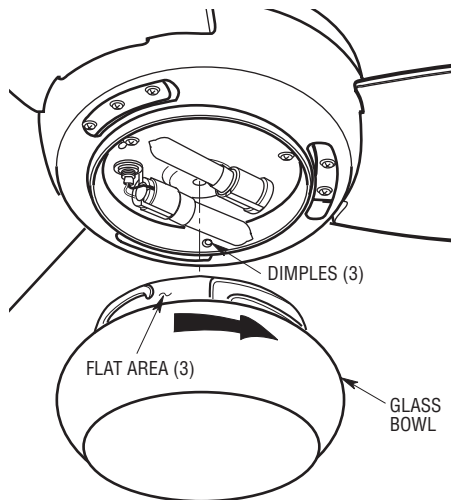


Figure 14

How to Assemble Your No Light Cover Plate

⚠ WARNING

Do not install any light bulbs into the light kit plate if using the cover plate. Installation of light bulbs when using the cover plate could result in fire, shock and serious personal injury.

- 1. Place the cover plate onto the lower housing aligning the three flat areas on the top flange of the cover plate with the three pins on the inside of the fan motor housing assembly (Figure 15). Then turn the cover plate clockwise until it stops turning.
- 2. Your cover plate is now installed

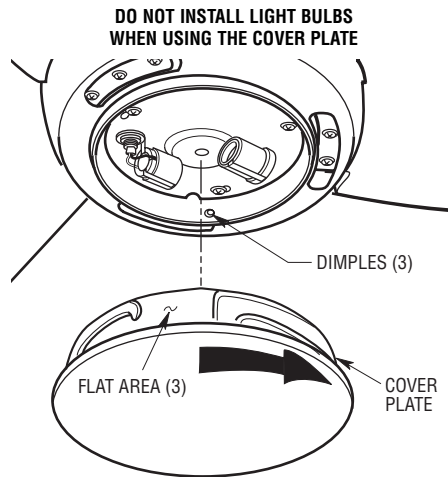


Figure 15

REMOTE CONTROL PROCEDURES

General

Your Emerson Ceiling Fan/Light Remote Control consists of hand-held transmitter and a receiver which is mounted under the fan ceiling cover. The remote control is designed to separately control your ceiling fan speed and light intensity.

The remote control transmitter is powered by two AAA alkaline batteries (included). To prevent possible damage if the batteries should leak, be sure to remove the batteries when the control is not to be used for an extended period of time.

Code switches in the transmitter and receiver may be set in 32 different positions. If your fan and light go on and off without using your control, you may be getting interference from other remote units such as garage door openers, car alarms or security systems. To remedy this situations, simply change the combination code in your transmitter and receiver.

Preset Memory Feature

Your Emerson receiver is equipped with a preset memory feature. If the AC supply to the receiver is powered through a wall switch, when the switch is turned OFF, the control will remember the light intensity and fan speed. When the switch is turned back ON the light and fan will resume operation as they were prior to the switch being turned OFF.

Installation of Battery

1. Remove the battery cover by pressing firmly below the arrow and sliding the cover off the control (Figure 16).
2. Install two AAA alkaline batteries and reinstall the battery cover.

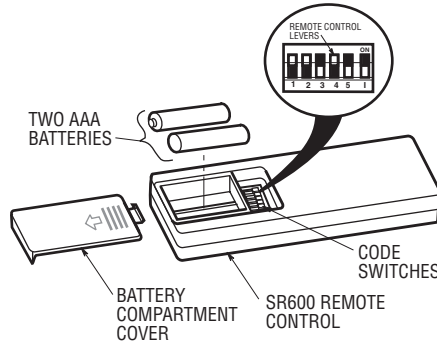


Figure 16

Installation of Storage Bracket for Remote Control

A storage bracket is provided for holding your remote control when not in use. If you desire to use the bracket, install it on a wall that is away from excess heat or humidity (Figure 17).

TO INSTALL BRACKET TO WALL:

SLIDE THE COVER UP TO EXPOSE THE SCREW HOLES FOR INSTALLATION

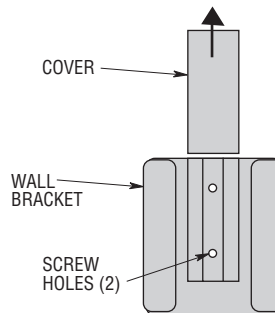

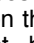






Figure 17

Setting Operating Frequency of Remote Control

Your remote control has code switches which must be set in one of 32 possible code combinations (Figure 16). The five levers (numbered 1, 2, 3, 4, and 5) on the switches are factory-set in the ON (up) position. Change the switch settings as follows (Figure 18):

1. Slide the five switch levers in the remote control to your choice of ON (up) or down positions. Use a ball-point pen or small screwdriver and slide the levers firmly up or down.
2. When power is restored, push and hold the fan OFF button () for 3 to 5 seconds to set the code in the receiver.
3. If airflow is desired in the opposite direction, press the () button on the remote control. The fan must be operating at any speed for the reverse button to function. The blades will turn in the opposite direction and reverse the airflow.
4. To set the desired fan speed, press the () button to decrease the speed and the () to increase the speed. The LED display will light up to indicate the new speed selected.
5. To turn the downlight on, press and release the () button. The light will turn on at the light intensity previously selected.
6. To vary the intensity of the light, hold the () button down until the desired light intensity is reached, then release the button.
7. The sixth switch marked ON and I is for dimming control of lights: Set switch to ON to allow for dimming of the lights. Set switch to I for no dimming of the lights such as for fluorescent bulbs.

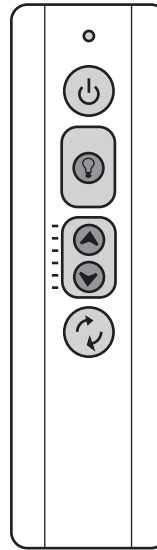


Figure 18

Maintenance

IMPORTANT CARE INSTRUCTIONS for your Ceiling Fan

Periodic cleaning of your new ceiling fan is the only maintenance that is needed.

When cleaning, use only a soft brush or lint free cloth to avoid scratching the finish.

Abrasive cleaning agents are not required and should be avoided to prevent damage to finish.

Accessories

- 1. Downrod Extension Kits (see store or catalog).
- 2. Ceiling Fan Controls (see store or catalog).

WARNING

The use of any other control not specifically approved for this fan could result in fire, shock and personal injury.

WARNING

Do not use water when cleaning your ceiling fan. It could damage the motor or the blades and create the possibility of an electrical shock.

WARNING

This product is designed to use only those parts supplied with this product and/or any accessories designated specifically for use with this product by Emerson Electric Co. Substitution of parts or accessories not designated for use with this product by Emerson Electric Co. could result in personal injury or property damage.

INSTRUCTION TO THE USER (if device contains a digital device)

This equipment has been tested and found to comply with the limits for a class B digital device, pursuant to part 15 of the FCC Rules. These limits are designed to provide reasonable protection against harmful interference in a residential installation. This equipment generates, uses and can radiate radio frequency energy and if not installed and used in accordance with the instructions, may cause harmful interference to radio communications. However, there is no guarantee that interference will not occur in a particular installation. If this equipment does cause harmful interference to radio or television reception, which can be determined by turning the equipment off and on, the user is encouraged to try to correct the interference by one or more of the following measures:

- Reorient or relocate the receiving antenna.
- Increase the separation between the equipment and receiver.
- Connect the equipment into an outlet on a circuit different from that to which the receiver is connected.
- Consult the dealer or an experienced radio/TV technician for help.

This equipment has been certified to comply with the limits for a class B computing device, pursuant to FCC Rules. In order to maintain compliance with FCC regulations, shielded cables must be used with this equipment. Operation with non-approved equipment or unshielded cables is likely to result in interference to radio and TV reception. The user is cautioned that changes and modifications made to the equipment without the approval of manufacturer could void the user's authority to operate this equipment.

This Class B digital apparatus meets all requirements of the Canadian Interference-Causing Equipment Regulations.

Remote Control Trouble Shooting

Fan/Light Fails to Operate

- Check that the speed switch on the fan is set to HIGH (---) speed.
- Check that the light switch is on.
- Check that the battery is good (red indicator light should light when any button is pressed).
- Check that the receiver is wired properly.
- Check that code switches in the remote control and receiver are set in the same position.

Short Range

- If the remote control operates the fan when close to it, but does not operate it at a distance of 40 feet, try placing the antenna wire outside of the ceiling cover.

⚠ WARNING: FOR YOUR OWN SAFETY TURN OFF POWER AT FUSE BOX OR CIRCUIT BREAKER BEFORE TROUBLE SHOOTING YOUR FAN.

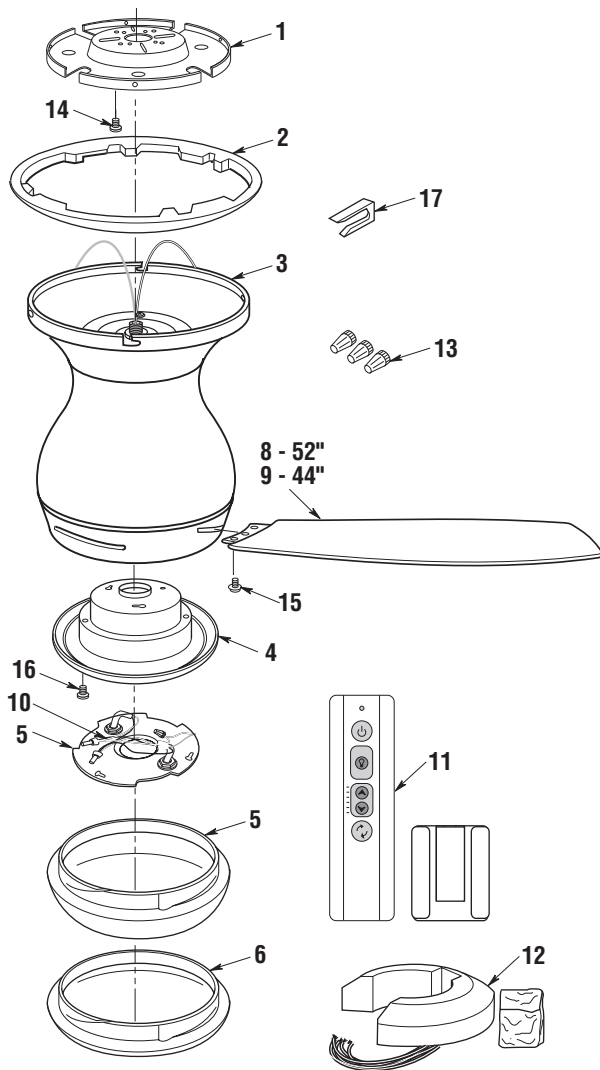
Ceiling Fan Trouble Shooting

TROUBLE	PROBABLE CAUSE	SUGGESTED REMEDY
1. Fan will not start.	1. Fuse or circuit breaker blown. 2. Loose power line connections to the fan. 3. Fan/Light remote control is OFF.	1. Check main and branch circuit fuses or circuit breakers. ⚠ WARNING: Make sure main power is turned off. 2. Check line power connections to fan. 3. Turn ON Fan/Light remote control.
2. Fan sounds noisy.	1. Blades not attached to fan. 2. Screws securing fan blades to motor are loose.	1. Attach blades to fan before operating. 2. Check to make sure the screws which attach the blades to the motor are tight. ⚠ WARNING: Make sure main power is turned off.
3. Fan wobbles excessively.	1. Screws securing fan blades to motor are loose. 2. Fan blades are not seated properly. 3. Fan blades out of balance.	1. Check to be sure screws which attach the fan blade to the motor are tight. 2. Check to be sure that the screws securing the fan blades seat firmly. 3. Interchanging an adjacent (side by-side) blade pair can redistribute the weight and result in smoother operation. Or use supplied balancing kit to balance blades.

Repair Parts Listing

Key No.	Description	Damp Part Numbers				Wet Part Numbers			
		Model No. CF144BS00	Model No. CF152BS00	Model No. CF144CRM00	Model No. CF152CRM00	Model No. CF144WW00	Model No. CF152WW00	Model No. CF144ORB00	Model No. CF152ORB00
1	Ceiling Mounting Plate	763987	763987	763987	763987	763987	763987	763987	763987
2	Ceiling Trim Ring	763989-BS	763989-BS	763989-CRM	763989-CRM	763989-WW	763989-WW	763989-ORB	763989-ORB
3	Ceiling Cover	763988-BS	763988-BS	763988-CRM	763988-CRM	763988-WW	763988-WW	763988-ORB	763988-ORB
4	Lower Housing	763992-BS	763992-BS	763992-CRM	763992-CRM	763992-WW	763992-WW	763992-ORB	763992-ORB
5	Light Kit Plate Assembly	764006	764006	764006	764006	764006	764006	764006	764006
6	Glass Shade	763994-OM	763994-OM	763994-OM	763994-OM	763994-OM	763994-OM	763994-SST	763994-SST
7	No Light Kit Cover	763995-BS	763995-BS	763995-CRM	763995-CRM	763995-WW	763995-WW	763995-ORB	763995-ORB
8	52" Blade Assembly	—	763996-BS	—	763996-BS	—	763996-WW	—	763996-ORB
9	44" Blade Assembly	763998-BS	—	763998-BS	—	763998-WW	—	763998-ORB	—
10	Harness, Wiring	764007	764007	764007	764007	764007	764007	764007	764007
11	Handheld Transmitter	763979	763979	763979	763979	763979	763979	763979	763979
12	Electronic Receiver with Wire Connectors	764009	764009	764009	764009	764009	764009	764009	764009
*	Parts Bag, Containing:	764008	764008	764008	764008	764008	764008	764008	764008
13	Connector, Wire, 12 Ga. (3)	—	—	—	—	—	—	—	—
14	Screw, Pan Head, Ceiling Cover, M5 x 10mm (1)	—	—	—	—	—	—	—	—
15	Screw, Flange Head, Blade M5 x 16mm (10)	—	—	—	—	—	—	—	—
16	Screw, Serrated Head, Lower Housing/Light Kit, M4 x 10mm (1)	—	—	—	—	—	—	—	—
17	Kit, Balancing	—	—	—	—	—	—	—	—
—	Owner's Manual	BP7407	BP7407	BP7407	BP7407	BP7407	BP7407	BP7407	BP7407

Repair Parts



Before discarding packaging material, be certain all parts have been removed.

HOW TO ORDER REPAIR PARTS

WHEN ORDERING REPAIR PARTS, ALWAYS GIVE THE FOLLOWING INFORMATION:

- PART NUMBER
- PART DESCRIPTION
- NAME OF ITEM
- MODEL NUMBER

The model number of your Fan will be found on a label attached to the top housing.
For repair parts, phone 1-800-654-3545.

LIMITED WARRANTY

What The Warranty Covers:

This warranty covers the motor and the other components and accessories of your Emerson ceiling fan against all defects in workmanship and materials. You must be the original purchaser or user of the product to be covered.

What The Period Of Coverage Is:

As it applies to the motor, this warranty will last for the lifetime of your ceiling fan. All other components and accessories are covered by this warranty for one year from the date you purchased your ceiling fan. ANY IMPLIED WARRANTY OF MERCHANTABILITY OR FITNESS FOR A PARTICULAR PURPOSE, MADE WITH RESPECT TO COMPONENTS AND ACCESSORIES IS ALSO LIMITED TO ONE YEAR.

What Will Emerson Electric Co. Do To Correct Problems:

Emerson Electric Co. will replace a defective Emerson Air Comfort Ceiling Fan motor, blade, component or other accessory at no charge to you. If repair of the motor or blades is not practical or possible within a reasonable time and no replacement can be provided, Emerson will refund the actual purchase price of your fan. **WE WILL SHIP THE REPAIRED PRODUCT OR REPLACEMENT TO YOU AT NO CHARGE, BUT YOU ARE RESPONSIBLE FOR ALL COSTS OF REMOVAL, REINSTALLATION AND SHIPPING OF THE PRODUCT TO EMERSON ELECTRIC CO.**

How Can You Get Service:

YOU MUST HAVE PROOF OF YOUR PURCHASE OF THE CEILING FAN TO OBTAIN LIMITED WARRANTY SERVICE. KEEP YOUR RECEIPT OR OTHER PROOF OF PURCHASE. You can return the product to our factory or to your nearest authorized service center.

- To return the product to the factory, obtain a return authorization and service identification tag by writing to Air Comfort Products, Division of Emerson Electric Co., 8100 W. Florissant Ave., St. Louis, MO 63136. Include all model numbers shown on the product with your request.
- To return the product to an authorized service center, call 1-800-654-3545 for the address of the nearest authorized service center.

You will be responsible for all insurance, freight or other transportation charges to our factory or authorized service center. Your Emerson Air Comfort Ceiling Fan should be properly packed to avoid damage in transit since we will not be responsible for any such damage.

What Is Not Covered:

The glass globes and light bulbs of your ceiling fan are not covered by this warranty. This warranty also does not cover any defects, malfunctions or failures caused by:

- Repairs by persons not authorized by Emerson Electric Co.,
 - Use of parts or accessories not authorized by Emerson Electric Co.,
 - Mishandling, improper installation, modifications or damage to your ceiling fan while in your possession, or
 - Unreasonable use, misuse, abuse, including failing to do reasonable and necessary maintenance, and normal wear and tear.
- Additionally, this warranty and any implied warranty of merchantability or fitness for a particular purpose are voided when:
- The original purchaser or user ceases to own the product, or
 - The fan is moved from its original point of installation.

This warranty is only valid within the 50 states of the United States and the District of Columbia. No other written or oral warranties apply, and no employee, agent, dealer or other person is authorized to give any warranties on behalf of Emerson Electric Co.

REPAIR, REPLACEMENT OR A REFUND ARE THE EXCLUSIVE REMEDIES AVAILABLE UNDER THIS WARRANTY AND EMERSON IS NOT RESPONSIBLE FOR DAMAGES OF ANY KIND, INCLUDING INCIDENTAL AND CONSEQUENTIAL DAMAGES. Incidental damages include but are not limited to such damages as loss of time and loss of use. Consequential damages include but are not limited to the cost of repairing or replacing other property which was damaged if this product does not work properly.

How State Law Relates To The Warranty:

Some states do not allow the exclusion or limitation of incidental or consequential damages so the above exclusion or limitation may not apply to you. This warranty gives you specific legal rights, and you may also have other rights which vary from state to state.



EMERSON™

Air Comfort Products

DIVISION OF EMERSON ELECTRIC CO.
8100 W. Florissant • St. Louis, MO 63136

Part No. F40BP74070000

Printed in China 01/10

Form No. BP7407
UL Model No.: CF144 & CF152