

# **COLOR TFT LCD MONITOR**

## **User Manual**



## **IMPORTANT SAFETY INSTRUCTIONS:**

- Please read manual before using this product.
- Please keep manual for future reference.
- Please read the cautions to prevent possible danger and loss of property
- Please enjoy the benefits of convenience, safety, and space-saving from this TFT LCD monitor in different ways.

## **FEATURES:**

- This product employs integrate circuits, lower power consumption, and lower radiation emission. It has fashion designed appearance and good portability.
- AV, HDMI, YPbPr & WHDI Input, to connect with Full HD Video Camera.
- LED backlight display, support 1920×1080 HD resolution.
- High contrast & dizzy-proof monitor with flexible folding sun shade cover, to see clearly under sunshine.
- DC 7-24V wide range voltage.

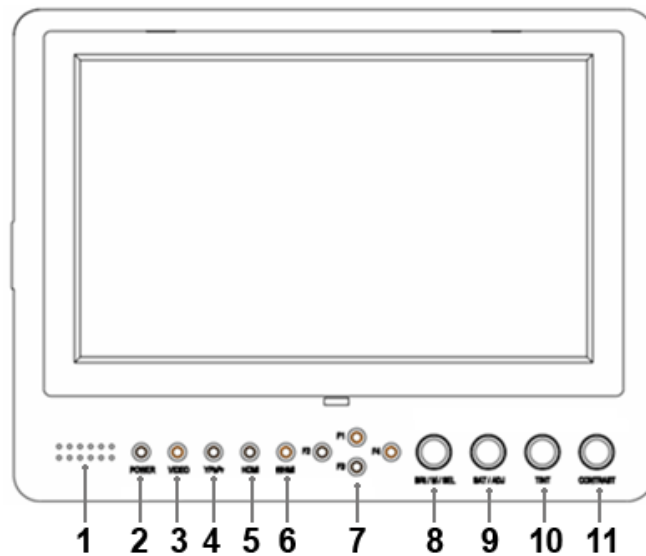
## **CAUTIONS:**

1. Please do not place the display screen towards the ground.
2. Please avoid heavy impact or drop onto the ground.
3. Please do NOT use chemical solutions to clean this product. Please wipe with a clean soft cloth to maintain the brightness of the surface.
4. Please do not block any vent hole.
5. Please follow the instructions and trouble-shootings to adjust the product. Other improper adjustment may result in damage. Any further adjustment must be performed or conducted by a qualified technician.
6. Please unplug the power and remove the battery if long-term no-use, or thunder weather.

# Contents

1. PRODUCT DESCRIPTION .....	3
2. WIRELESS HD TRANSMITTER.....	5
3. WHDI REMOTE CONTROL.....	5
4. WHDI FUNCTION .....	6
5. INSTALLATION OF SUNSHADE COVER AND BATTERY PLATE .....	8
6. DV BATTERY MOUNT PLATE.....	9
7. SETTING MENU .....	10
8. ACCESSORIES .....	13
9. PARAMETERS.....	13
10. TROUBLE SHOOTING .....	14

# 1. PRODUCT DESCRIPTION



1. Speaker.
2. POWER: ON/OFF (Light turns to red when power on).
3. VIDEO: Indicator lights up when signal switch to video state.
4. YPbPr: Indicator lights up when signal switch to YPbPr state.
5. HDMI: Indicator lights up when signal switch to HDMI state.
6. WHDI: Indicator lights up when signal switch to WHDI state.
7. F1、F2、F3、F4: User-definable buttons.

## Default functions:

**F1 Screen Marker**

**F3 Check Field**

**F2 Aspect Ratio**

**F4 Underscan**

**\*F1 Peaking**

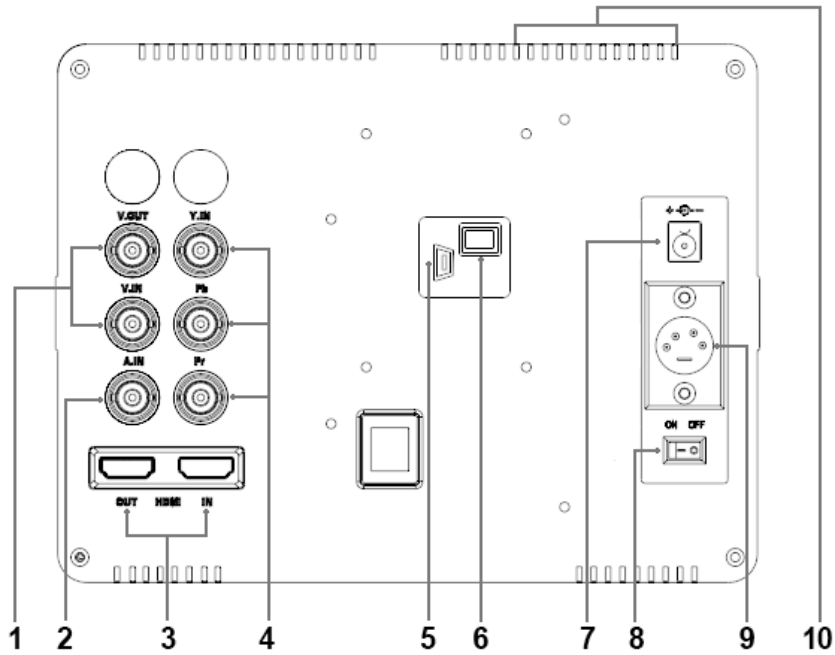
**\*F3 Exposure**

**\*F2 False Color**


**\*F4 Histogram**

**(function customized to meet your needs)**

8. Knob BRI/M/SEL: Press the knob to access the menu function, pressing the knob in the menu to return to the previous page or exit the menu. Rotate knob to select an option.  
Default as Brightness function.
9. Knob SAT/ADJ: Press the knob to select main MENU options; rotate knob to confirm the selection and adjust parameter values.  
Default as Saturation function.
10. Knob TINT: Default as Tint function.
11. Knob CONTRAST: Default as Contrast function.

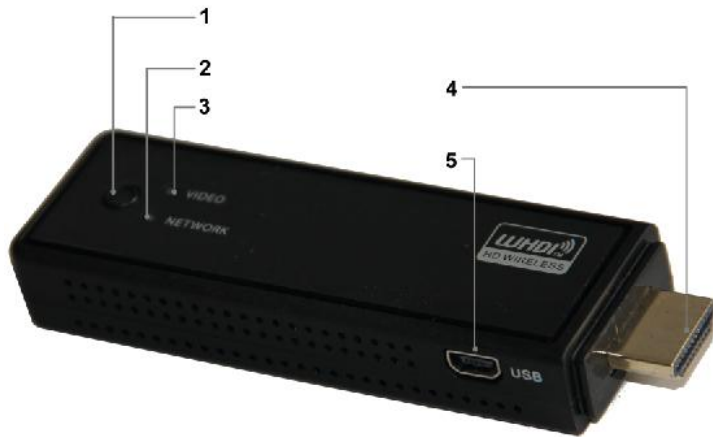


1. Video signal output / input.
2. Audio signal input.
3. HDMI signal output (Optional) / input.
4. YPbPr signal input
- 5 Mini USB input. (Only for program upgrades, do NOT use if non-professionals)
6. Power cable interface (connecting to the battery plate).
7. DC power input.
8. Battery power on/off switch.
9. 4-pin XLR DC power input.

	<b>Pin number</b>	<b>Signal</b>
	①	GND
	②③	.....
	④	+12V

10. WHDI Infrared receiving window.

## 2. WIRELESS HD TRANSMITTER



1. Code key.
2. Network indicating light.
3. Video indicator.
4. HDMI interface (connect with HDMI device).
5. Mini USB port (connect with power).

## 3. WHDI REMOTE CONTROL

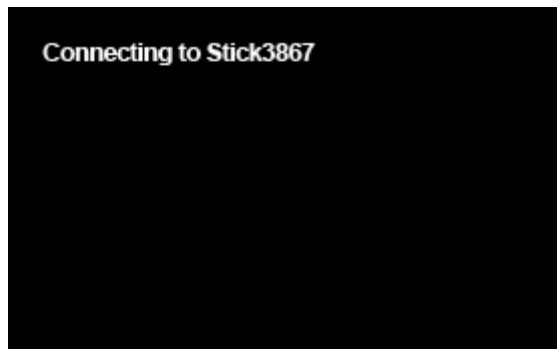



	1. Enter the main menu
	2. Return to previous menu
	3. ENTER [Select Video Source]
	4. Operate for up, down, left and right directions on the menu screen
	5. Press OK to confirm the operation
	6. Enter [Remove Video Source]
	7. Enter [Add New Video Source]
	8. System powering down
	9. Connect to 1st Video source
	10. Connect to 2nd Video source
	11. Connect to 3rd Video source

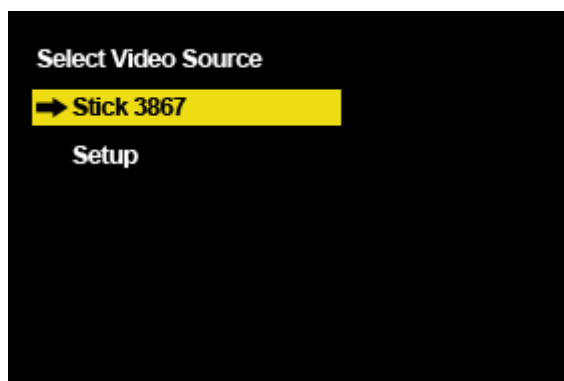
## 4. WHDI FUNCTION




1. Connect WHDI transmitter with computer or camcorder via HDMI interface, display as below.



2. Press the  EXIT button on remote control to activate "Select Video Source" function, and the transmitter matched will be displayed as follows.



3. Press the  ADD button on remote control to activate registration function as follows.



4. Then long press Code key on WHDI transmitter to activate connecting interface as follows.



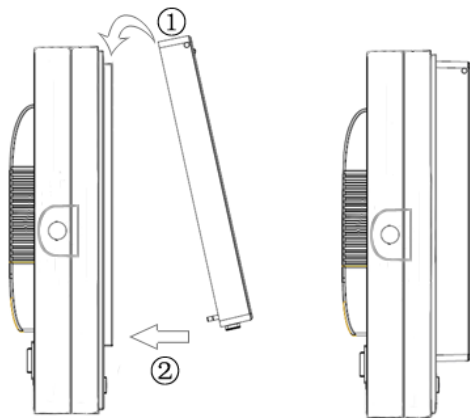
5. Waiting for connection completed.



# 5. INSTALLATION OF SUNSHADE COVER AND BATTERY PLATE

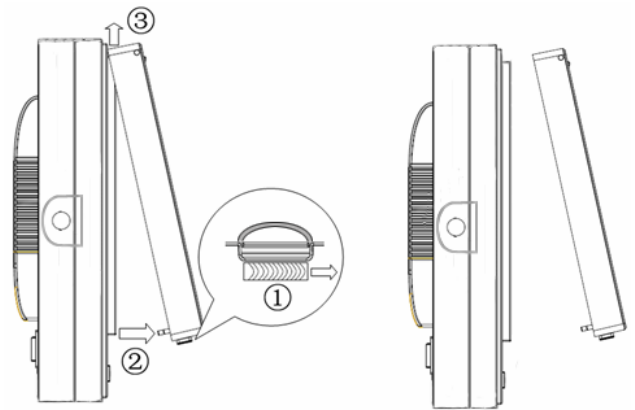
**Installation of sunshade cover:**

Installation steps Installation completed



**Disassembly of sunshade cover:**

Disassembly steps Disassembly completed



**Steps of sunshade cover on / off:**

Please follow the instructions steps, or may damage the cover.

**Open Step:**



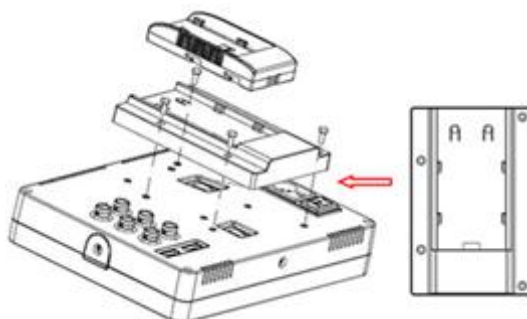
**Closed steps:**



Do not press the edge in the under of the cover, otherwise it will result in open failure.

## 6. DV BATTERY MOUNT PLATE

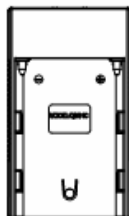
### Standard mounts process



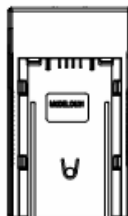
Following three types of battery plates are suitable for this device, model F970, QM91D, DU21 & LP-E6 (choose 2 out of 4).



MODEL: F-970



MODEL: QM91D



MODEL: DU21



MODEL: LP-E6

DV Battery Mount Plate:

### DV Battery Mount Plate Specification:

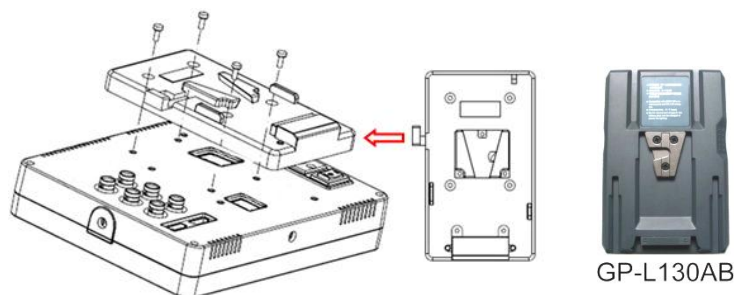
Model DU21 for battery of Panasonic DV:  
NV-GS/PV-GS/DZ-MV/GS/H28/H258/H288GK series, comply with  
Panasonic battery DU06/VBD140/SANYO DZhs301sw/Hitachi  
DZ-HS303SW/BZ-BP14S/DZ3200/BP07W.

Model QM91D for battery of SONY DV:  
DSCR1/F/S/MVCCD/E/HC15E/HC1E/AE1u/DCRTRV828/E/CCD-TRV  
116/DCR-DVD/PS105K/300K/10P/1E series.

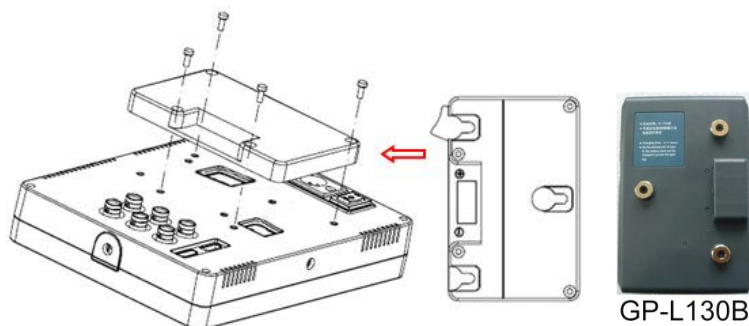
Model F970 for battery of SONY DV:  
DCR-TRV series, DCR-TRV E series, VX2100E PD P series, GV-A700,  
GV-D800 FD/CCD-SC/TR3/FX1E/HVR-AIC, HDR-FX1000E, HVR-Z1C,  
HVR-V1C, FX7E F330.

Model LP-E6 for battery of Canon DSLR:  
5D Mark II/EOS7D/EOS60D;

**V-mount battery plate (optional):** Please refer to GP-L130AB type battery specifications.



**Anton Bauer mount battery plate (optional):** Please refer to GP-L130B type battery specifications.



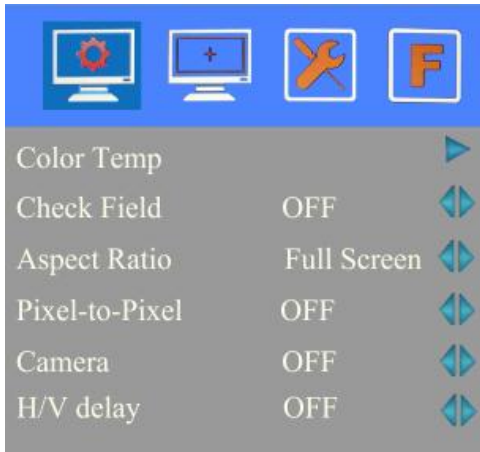
## 7. SETTING MENU

**Before setting the functions, please make sure the device is connected correctly.**

When power on, press BRI/M/SEL knob on the device, function menus will pop-up on the screen. After confirm the option value, then press BRI/M/SEL knob to return to the previous, and press the BRI/M/SEL knob again to exit the menu settings.

BRI / M / SEL knob to select an option.

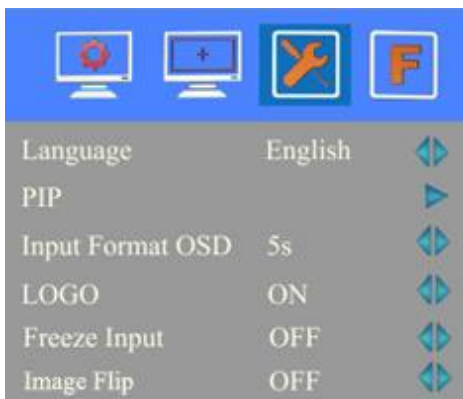
SAT / ADJ knob to select the main menu, adjusting option values and confirm the selection.



ITEMS	OPTIONS
Color Temp	6500°K/7500 °K/9300 °K/User
	Red
	Green
	Blue
	Note: Only available under "User" mode to meet the color value you need.
Check Field	OFF, MONO, Red, Green and Blue
Aspect Ratio	Full Screen,4:3 and 16:9
Pixel-to-Pixel	ON/OFF
Camera	480P (5DII Mode) /1080I (5DIII Mode)
H/V delay	OFF,H&V Delay, V Delay and H Delay



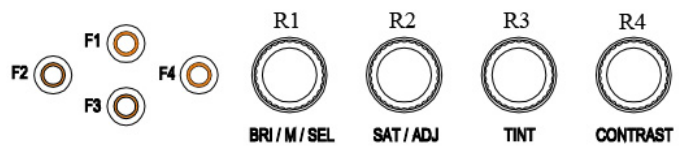
ITEMS	OPTIONS
Center Marker	ON/OFF
Screen Markers	OFF, 95%,93%,90%,88%,85% and80%



ITEMS	OPTIONS
Language	English /Chinese
PIP	Small, Medium, Large, PBP, POP In small, medium and large interface can adjust the source, position, and swap; In PBP and POP interface can adjust the source and swap.
Input Format OSD	5s、 10s、 15s
LOGO	ON/ OFF
Freeze Input	ON/ OFF
Image Flip	ON/ OFF
*Peaking	Mono/ Color

\* Option for product model with"/P" only.

Assistant Func.	Manual/Auto
Manufacturer Default	OK/Cancel(Reverse the SAT / A DJ knob to select "OK")
ISP	For program upgrades (Please reboot your computer if press accidentally!)



**Function of buttons and knobs can be customized by users' needs.**

**Functions of F1-F4 buttons can also be customized:**

- Aspect Ratio    ·Check Field    ·Freeze Input    ·Center Marker
- Underscan      ·H/V delay      ·Color Bar      ·Screen Marker
- Zoom            ·Camera        ·Pixel-to-Pixel    ·PIP
- \*Peaking        ·\*False Color    ·\*Exposure        ·\*Histogram.

**Functions of R1-R4 buttons can also be customized:**

- Contrast        ·Brightness      ·Saturation
- Tint            ·Volume         ·Sharpness

\* Option for product model with"/P" only.

## 8. ACCESSORIES

### Standard accessories:



- |                                     |          |
|-------------------------------------|----------|
| 1. Flexible Folding Sun Shade Cover | 1 piece  |
| 2. WHDI Accessories                 | 1 pair   |
| 3. Battery Plate (2 out of 4)       | 2 pieces |
| 3. Manual                           | 1 copy   |
| 4. HDMI Type A-C                    | 1 piece  |
| 5. DC Adapter                       | 1 piece  |

### Optional accessories



- |                                    |         |
|------------------------------------|---------|
| 1. Anton Bauer Mount Battery Plate | 1 piece |
| 2. V-mount Battery Plate           | 1 piece |
| 3. Shoe Mount (for camera only)    | 1 piece |
| 4. Li-ion Battery                  | 1 piece |

## 9. PARAMETERS

Panel Size	7" TFT LCD
Resolution	1024×600
Contrast	800:1
Viewing Angle	160°/ 150°(H/V)
Input Voltage	DC12V (XLR DC Connection)
Input Signal	<b>WHDI ,HDMI, YPbPr, AV</b>
Operating Temperature	-20℃~60℃
Storage Temperature	-30℃~70℃
Power Consumption	≤12W
Size:(LWD)	194.5×150×38.5mm/48.5mm(with cover closed) /158.5mm (with cover open)
Weight	560g / 720g (with cover)

# 10. TROUBLE SHOOTING

## 1. Only black-and-white display:

Check whether the color saturation is properly setup.


## 2. Power on but no pictures:

Check whether the cables of Video, HDMI, YPbPr and WHDI are correctly connected. Please use the standard power adapter coming with the product package. Improper power input may cause the device.


## 3. Wrong or abnormal colors:

Check whether the cables are correctly and properly connected. Broken or loose pins of the cables may cause a bad connection.

## 4. When on the picture shows size error:

Press "MENU" →  → "Underscan" to zoom in/out pictures automatically  
When receiving HDMI /WHDI signals.

## 5. Other problems:

Please press "MENU" button and choose " → "Manufacturer Default  
→OK"

## 6. According to the ISP, the machine cannot function properly :

ISP for program upgrades, non-professionals do not use. Please reboot your computer if press accidentally!

It is normal to see some bright lines appear on the screen when turn off the device.

**Note: due to constant effort to improve products and product features, specifications may change without notice.**

