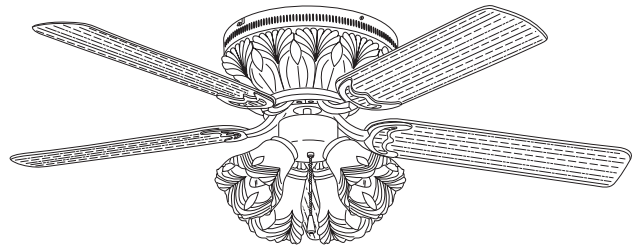


# READ AND SAVE THESE INSTRUCTIONS



**EMERSON**<sup>™</sup>



## CRYSTAL LX<sup>™</sup> Ceiling Fan Owner's Manual

Model No.  
**CF875SPB00**

Net Weight: 21.3 Lbs.

### LIMITED WARRANTY

**What The Warranty Covers:**

This warranty covers the motor and the other components and accessories of your Emerson ceiling fan against all defects in workmanship and materials. You must be the original purchaser or user of the product to be covered.

**What The Period Of Coverage Is:**

As it applies to the motor, this warranty will last for a lifetime of your ceiling fan. All other components and accessories are covered by this warranty for one year from the date you purchased your ceiling fan. ANY IMPLIED WARRANTY OF MERCHANTABILITY OR FITNESS FOR A PARTICULAR PURPOSE, MADE WITH RESPECT TO COMPONENTS AND ACCESSORIES IS ALSO LIMITED TO ONE YEAR.

**What Will Emerson Electric Co. Do To Correct Problems:**

Emerson Electric Co. will replace a defective Emerson Air Comfort Ceiling Fan motor, blade, component or other accessory at no charge to you. If repair of the motor or blades is not practical or possible within a reasonable time and no replacement can be provided, Emerson Electric Co. will refund the actual purchase price of your fan. We will ship the repaired product or replacement to you at no charge, but you are responsible for all costs or removal, reinstallation and shipping of the product to Emerson Electric Co.

**How Can You Get Service:**

YOU MUST HAVE PROOF OF YOUR PURCHASE OF THE CEILING FAN TO OBTAIN LIMITED WARRANTY SERVICE. KEEP YOUR RECEIPT OR OTHER PROOF OF PURCHASE. You can return the product to our factory or to your nearest authorized service center.

- To return the product to the factory, obtain a return authorization and service identification tag by writing to Air Comfort Products, Division of Emerson Electric Co., 8100 W. Florissant Ave., St. Louis, MO 63136. Include all model numbers shown on the product with your request.
- To return the product to an authorized service center, call 1-800-654-3545 for the address of the nearest authorized service center.

You will be responsible for all insurance, freight or other transportation charges to our factory or authorized service center. Your Emerson Air Comfort Ceiling Fan should be properly packed to avoid damage in transit since we will not be responsible for any such damage.

**What Is Not Covered:**

The glass globes and light bulbs of your ceiling fan are not covered by this warranty. This warranty also does not cover any defects, malfunctions or failures caused by:

- Repairs by persons not authorized by Emerson Electric Co.,
- Use of parts or accessories not authorized by Emerson Electric Co.,
- Mishandling, improper installation, modifications or damage to your ceiling fan while in your possession, or
- Unreasonable use, misuse, abuse, including failing to do reasonable and necessary maintenance, and normal wear and tear.

Additionally, this warranty and any implied warranty of merchantability or fitness for a particular purpose are voided when:

- The original purchaser or user ceases to own the product, or
- The fan is moved from its original point of installation.

This warranty is only valid within the 50 states of the United States and the District of Columbia. No other written or oral warranties apply, and no employee, agent, dealer or other person is authorized to give any warranties on behalf of Emerson Electric Co.

REPAIR, REPLACEMENT OR A REFUND ARE THE EXCLUSIVE REMEDIES AVAILABLE UNDER THIS WARRANTY AND EMERSON IS NOT RESPONSIBLE FOR DAMAGES OF ANY KIND, INCLUDING INCIDENTAL AND CONSEQUENTIAL DAMAGES. Incidental damages include but are not limited to such damages as loss of time and loss of use. Consequential damages include but are not limited to the cost of repairing or replacing other property which was damaged if this product does not work properly.

**How State Law Relates To The Warranty:**

Some states do not allow the exclusion or limitation of incidental or consequential damages so the above exclusion or limitation may not apply to you. This warranty gives you specific legal rights, and you may also have other rights which vary from state to state.

 **WARNING**

**WARNING: To avoid fire, shock, and serious personal injury, follow these instructions.**

**Safety Instructions**

1. Read your owner’s manual carefully and keep it for future reference.
2. Before servicing or cleaning unit, switch power off at service panel and lock service panel disconnecting means to prevent power from being switched on accidentally. When the service disconnecting means cannot be locked, securely fasten a warning device, such as a tag, to the service panel.
3. Be careful of the fan and blades when cleaning, painting, or working near the fan. Always turn off the power to the ceiling fan before servicing.
4. Do not put anything into the fan blades while they are turning.
5. Do not operate reversing switch until fan blades have come to a complete stop.

**Additional Safety Instructions for Installation**

1. To avoid possible shock, be sure electricity is turned off at the fuse box before wiring, and do not operate fan without blades.
2. All wiring must be in accordance with the National Electrical Codes “ANSI/NFPA 70-1999” and Local Electrical Codes. Use the National Electrical Code if Local Codes do not exist. The ceiling fan must be grounded as a precaution against possible electrical shock. Electrical installation should be made or approved by a licensed electrician.
3. The outlet box and joist must be securely mounted and capable of reliably supporting at least 50 pounds. Use only U.L. outlet boxes listed as “Acceptable for Fan Support”, and use the mounting screws provided with the outlet box. Most outlet boxes commonly used for support of light fixtures are not acceptable for fan support and may need to be replaced. Consult a qualified electrician if in doubt.
4. The downrod furnished with the fan provides the minimum recommended floor to fan blade clearance for an 8 foot ceiling.
5. The fan must be mounted with the fan blades at least 7 feet from the floor to prevent accidental contact with the fan blades.
6. Follow the recommended instructions for the proper method of wiring your ceiling fan. If you do not know enough about electrical wiring, have your fan installed by a licensed electrician.

**WARNING: To avoid fire, shock or injury, do not use an Emerson or any other brand of control not specifically approved for this fan.**

**WARNING: This product is designed to use only those parts supplied with this product and/or any accessories designated specifically for use this product by Emerson Electric Co. could result in personal injury or property damage.**

**WARNING: To reduce the risk of personal injury, do not bend the blade flange when installing the blade flanges, balancing the blades or cleaning the fan. Do not insert foreign objects in between rotating fan blades.**

**WARNING: To reduce the risk of electric shock, this fan must be installed with an isolating wall control/switch.**

**DATE CODE:** \_\_\_\_\_

The date code of this fan may be found on the box, stamped in ink on a white label.

You should record this data above and keep it in a safe place for future use.

# This Manual Is Designed to Make it as Easy as Possible for You to Assemble, Install, Operate and Maintain Your Ceiling Fan


## Tools Needed for Assembly

- One Phillips head screwdriver
- One 1/4" blade screwdriver
- One stepladder
- One wire stripper
- Four 60-watt (maximum) intermediate base bulbs
- Four 7-watt (maximum) candelabra base bulbs

## MATERIALS

Wiring, electrical box and box connectors must be of type required by local code. The minimum wire would be a 3-conductor (2-wire with ground) of size shown at right.


Installed Wire Length	Wire Size A.W.G.
Up to 50 ft.	14
50 - 100 ft.	12

 <b>WARNING</b>
<b>Before assembly your ceiling fan, refer to section on proper method of wiring your fan (page 5). If you feel you do not have enough wiring knowledge or experience, have your fan installed by a licensed electrician.</b>

## Unpacking Instructions

For your convenience, check-off boxes are provide next to each step. As each step is completed, place a check mark in the box. This will insure that all steps have been completed and will be helpful in finding your place should you be interrupted.

 <b>WARNING</b>
<b>Do not install or use fan if any part is damaged or missing. Call Toll-Free:</b> <b>1-800-654-3545</b>

 <b>WARNING</b>
<b>This product is designed to use only those parts supplied with this product and/or any accessories designated specifically for use with this product by Emerson Electric Co. Substitution of parts or accessories not designated for use with this product by Emerson Electric Co. could result in personal injury or property damage.</b>

- 1. Check to see that you have received the following parts:
  - a. Crystal glass housing
  - b. Mounting plate/light fitter
  - c. Motor assembly
  - d. Switch housing/light fitter
  - e. Four glass shades
  - f. Five fan blades
  - g. Five blade flanges
  - h. One loose parts bag containing:
    - 1. Fifteen 3/16-24 x 9/32" phillips head screws.
    - 2. Ten 1/3-20 x 1/2" phillips head screws.
    - 3. One wood ball (small) with chain.
    - 4. One wood ball (large) with chain.
    - 5. Three wire connectors.
    - 6. Four 3/16-24 x 3/8" phillips head screws.
    - 7. Three wire connectors
    - 8. Four Nuts-Hexlock 1/4-20.

**NOTE: Place the parts from the loose parts bag in a small container to keep them from being lost. If any parts are missing, contact your local retail or catalog outlet for replacement before proceeding.**

# Electrical Requirements

Your new ceiling fan will require a grounded electrical supply line of 120 volts AC, 60 Hz, 15 amp circuit.

The outlet box must be securely anchored and capable of withstanding a load of at least 50 pounds.

**⚠ WARNING**

To reduce the risk of fire, electric shock, or personal injury, mount fan to outlet box marked "Acceptable for Fan Support", and use screws supplied with outlet box. Most outlet boxes commonly used for support of light fixtures are not acceptable for fan support and may need to be replaced. Consult a qualified electrician if in doubt.

If your fan is to replace an existing ceiling light fixture, turn electricity off at the main fuse box at this time and remove the existing light fixture.

**⚠ WARNING**

Turning off wall switch is not sufficient. To avoid possible electrical shock, be sure electricity is turned off at the main fuse box before wiring. All wiring must be in accordance with National and Local codes and the ceiling fan must be properly grounded as a precaution against possible electrical shock.

**⚠ WARNING**

To avoid fire or shock, follow all wiring instructions carefully. Any electrical work not described in these instructions should be done or approved by a licensed electrician.

## How to Hang Your Ceiling Fan

**⚠ WARNING**

The fan must be hung with at least 7' of clearance from floor to blades (Figure 1).

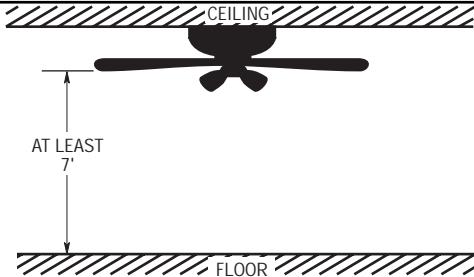


Figure 1

**⚠ WARNING**

The outlet box must be securely anchored and capable of withstanding a load of at least 50 lbs.

**⚠ WARNING**

To reduce the risk of fire, electric shock, or personal injury, mount fan to outlet box marked "Acceptable for Fan Support", and use screws supplied with outlet box. Most outlet boxes commonly used for support of light fixtures are not acceptable for fan support and may need to be replaced. Consult a qualified electrician if in doubt.

1. Pass the supply wires (black, white and ground) through the center hole and securely attach the mounting plate/light fitter to the outlet box (Figure 2) using the two screws supplied with the outlet box.

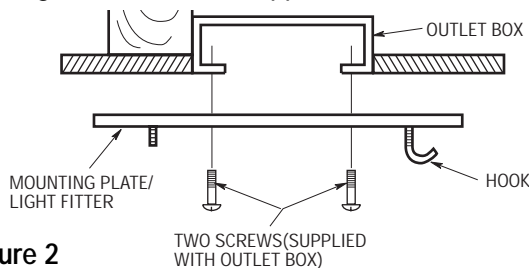


Figure 2

2. Carefully lift the motor assembly and engage the slot in the motor bracket with the hook on the mounting plate/light fitter so that it is securely suspended (Figure 3). Then connect wiring to your fan according to section "HOW TO WIRE YOUR CEILING FAN".

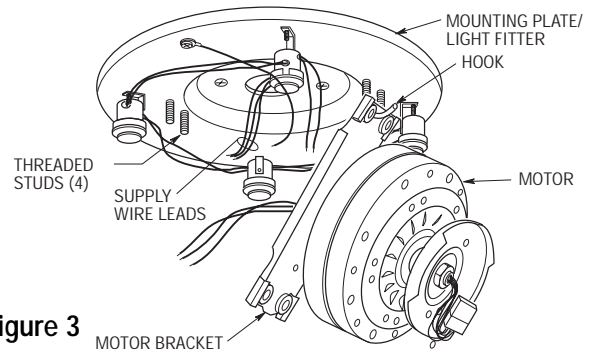


Figure 3

3. Once wiring is completed, lift the motor bracket so that the four threaded studs on the mounting plate/light fitter protrude through the four holes in the motor bracket. (See Figure 4.)

**⚠ WARNING**

To avoid possible fire or shock, make sure that the electrical wires are not pinched between the motor bracket and the mounting plate/light fitter.

4. Securely tighten the four locknuts (supplied) onto the threaded studs. Fasten locknuts securely, then try to shake the motor bracket to ensure that the assembly is tight. Proceed to section "HOW TO PUT YOUR CEILING FAN TOGETHER".

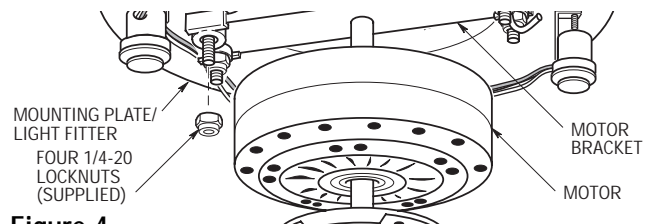


Figure 4

## How To Wire Your Ceiling Fan

If you feel that you do not have enough wiring knowledge or experience, have your fan installed by a licensed electrician.

### ⚠ WARNING

To avoid possible electrical shock be sure electricity is turned off at the main fuse box or circuit breaker before wiring.

**NOTE:** If you are not sure if the outlet box is grounded, contact a licensed electrician for advise for it must be grounded for safe operation.

1. Connect the green grounding wire from the motor bracket and the green wire from the mounting plate/light fitter to the grounding conductor of supply (this may be a bare wire or wire with green colored insulation). Securely connect wires with wire connector supplied. (Figure 5.)

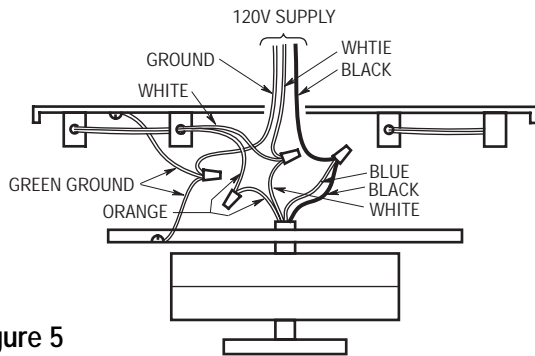


Figure 5

2. Securely connect the motor orange wire to the mounting plate/light fitter orange wire using wire connector supplied. (Figure 5).
3. Securely connect the fan motor white wire and the mounting plate/light fitter white wire to the supply white (neutral) wire using wire connector supplied. (Figure 5).
4. Connect the fan motor black wire and blue wire to the supply black (hot) wire using wire connector supplied. (Figure 5). Your fan is now wired to be turned on and off from the fan switch. After connections have been made, turn leads upward and carefully push leads up into the outlet box.

### ⚠ WARNING

To avoid risk of fire or shock check to see that all connections are tight, including ground, and that no bare wire is visible at the wire connectors except for the ground wire. Do not operate fan until blades are in place. Noise and fan damage could result.

5. Return to Step 3 of section "HOW TO HANG YOUR CEILING FAN".

## How To Put Your Ceiling Fan Together

1. Screw four 7-watt 120 volt light bulbs into the sockets on the mounting plate/light fitter.
2. Install two 3/16-24 x 3/8" screws (several turns) into screw holes on opposite sides of the mounting plate/light fitter (Figure 6). Position the crystal glass housing so that the keyhole slots in the crystal glass housing engage with the two screws. Turn the housing to the right so the keyhole slots rest on the screws; tighten the screws. Install the other two 3/16-24 x 3/8" screws.
3. Mount the blade flanges to the fan blades using three 3/16-24 x 9/32" screws per blade (Figure 7). Repeat for four remaining blades.

### ⚠ WARNING

To reduce the risk of personal injury, do not bend the blade flanges when installing the flanges, balancing the blades, or cleaning the fan.

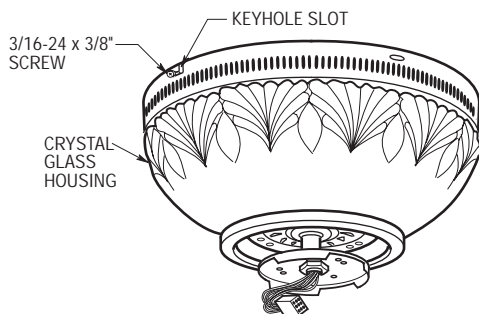
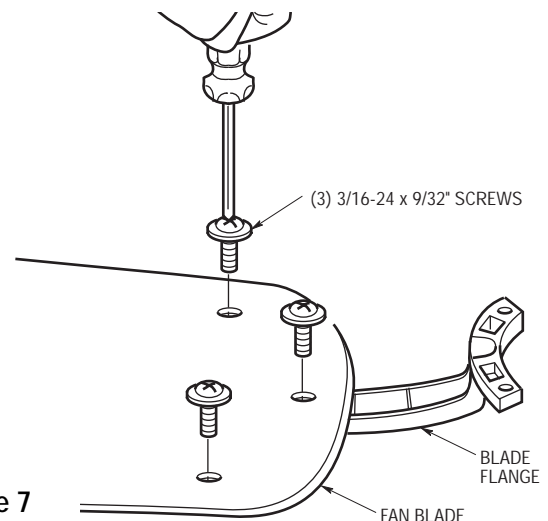


Figure 6



5 Figure 7

- 4. Attach one blade assembly to the motor using two 1/4-20 x 1/2" phillips head blade flange screws (Figure 8). Make sure the screws are tightened securely. Repeat this procedure for the other four blade assemblies.

**NOTE: Take care not to scratch the fan housing when installing the blade assemblies.**

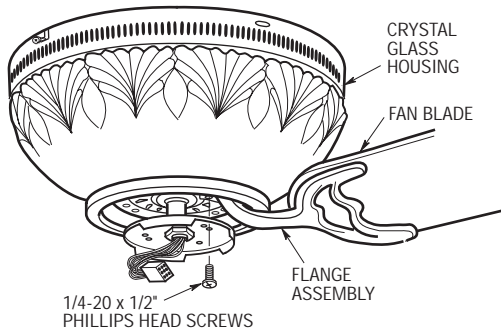


Figure 8

- 5. Engage the color-coded connector of the switch housing/light fitter with the motor connector (Figure 9). Match the color stripes on the two connectors and push together until fully seated and latched.

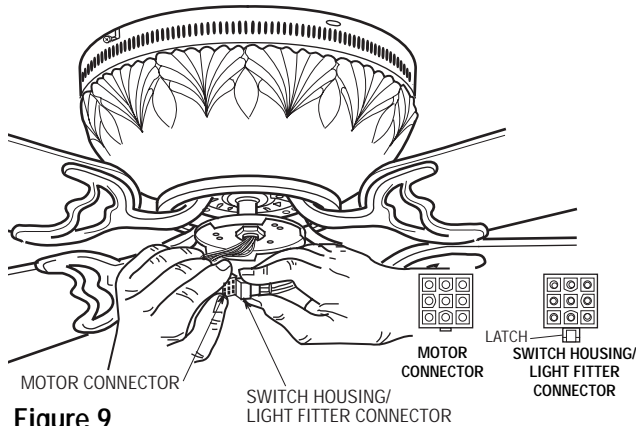


Figure 9

- 6. Position the switch housing/light fitter on the switch housing plate and align the holes in the switch housing/light fitter with the holes in the plate. Secure by installing three 5/32 x 1/4" screws (Figure 10).

**▲ WARNING**

**To avoid possible fire or shock, do not pinch wire between the switch housing light fitter and the plate.**

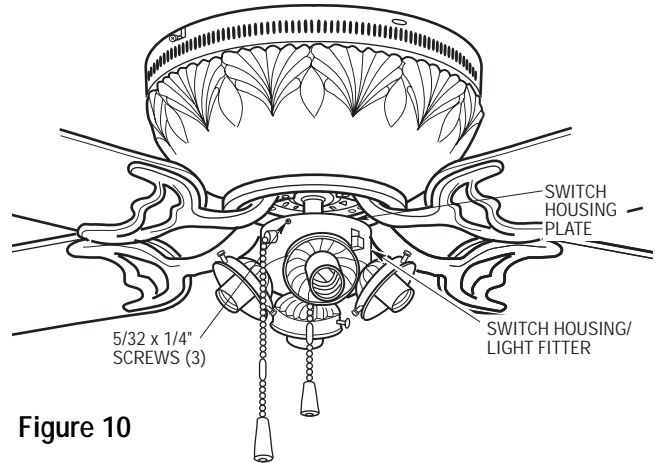


Figure 10

- 7. Back out the three thumb screws in one shade holder until the shade neck slips into the holder. Then tighten the thumb screws until they touch the neck with approximate equal projection on the outside (Figure 11). Repeat for the other three shades. Never use pliers to tighten the thumb screws or a broken or damaged shade may result.

**▲ WARNING**

**Periodically check the tightness of the tightness of the knurled screws. Fan operation may loosen these screws, causing the shade to fall out.**

**▲ WARNING**

**To avoid fire hazard, use 60-watt or less rated intermediate base bulbs.**

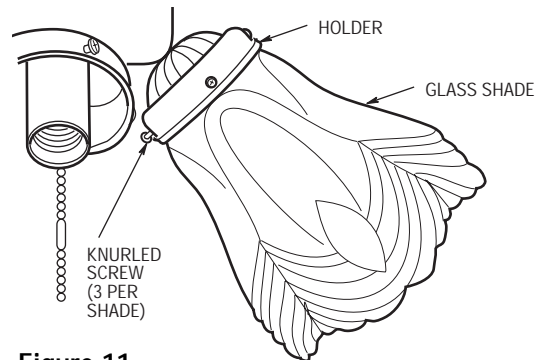


Figure 11

## Replacement of Light Bulbs

To replace the 60-watt (maximum) intermediate base light bulbs in the light kit, turn off the electricity at the wall switch and simply unscrew the bulbs from the sockets and screw in new ones.

To replace the 7-watt (maximum) candelabra base light bulbs in the crystal glass housing, first turn off the electricity at the main fuse box or circuit breaker panel. Remove the switch housing/light fitter and

disconnect the connector. Remove the five fan blades, then loosen the two screws at the two keyhole slots at the top of the crystal glass housing and remove the two screws at the two slotted holes. Turn the crystal glass housing to the left and carefully remove the housing. Replace the burned out 7-watt candelabra base bulbs and then install the crystal glass housing, the five fan blades, and the switch housing/light fitter.

## Using Your Ceiling Fan

- 1. Restore electrical power to the electrical box by turning the electricity on at the main fuse box or circuit breaker panel.
- 2. Check the operation of the fan by gently pulling on the fan switch pull chain.

Your fan model is equipped with a 4-position, 3-speed fan pull chain switch. The operating sequence is as follows:

- 1st Pull – High
- 2nd Pull – Medium
- 3rd Pull – Low
- 4th Pull – OFF

- 3. All fans are shipped from the factory with the re-versing switch positioned to circulate air downward. If airflow is desired in opposite direction, turn your fan off and wait for the blades to stop turning, then slide the

reversing switch to opposite position, and turn fan on again. The fan blades will turn in the opposite direction and reverse the airflow.

- 4. Check the operation of the light fixture by gently pulling on the light switch pull chain.

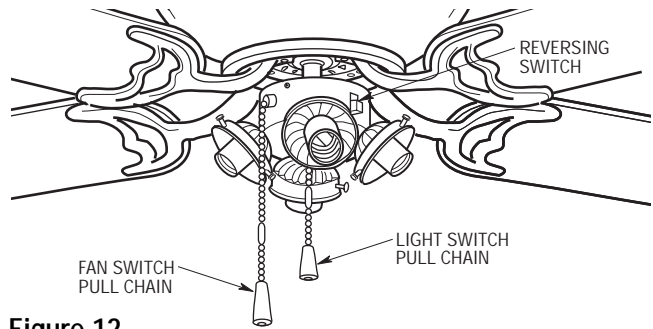


Figure 12

**⚠ WARNING: FOR YOUR OWN SAFETY TURN OFF POWER AT FUSE BOX OR CIRCUIT BREAKER BEFORE TROUBLE SHOOTING YOUR FAN.**

## Trouble Shooting

TROUBLE	PROBABLE CAUSE	SUGGESTED REMEDY
<b>1. Fan will not start.</b>	<ol style="list-style-type: none"> <li>1. Reversing switch in neutral position.</li> <li>2. Fuse or circuit breaker blown.</li> <li>3. Loose power line connections to the fan, or loose switch wire connections in switch housing/light fitter.</li> </ol>	<ol style="list-style-type: none"> <li>1. Make sure reversing switch position is all the way to one side.</li> <li>2. Check main and branch circuit fuses or circuit breakers.</li> <li>3. Check line wire connections to fan and switch wire connections in the switch housing/light fitter.</li> </ol>
<b>2. Fan sounds noisy.</b>	<ol style="list-style-type: none"> <li>1. Blades not attached to fan.</li> <li>2. Screws securing fan blade flanges to motor are loose.</li> <li>3. Wire connectors inside switch housing/light fitter rattling.</li> <li>4. Screws holding flanges to blades are loose.</li> </ol>	<ol style="list-style-type: none"> <li>1. Attach blades to fan before operating.</li> <li>2. Check to make sure the screws which attach the fan blade flanges to the motor are tight.</li> <li>3. Check to make sure wire connectors in switch housing/light fitter are not rattling against each other or against the interior wall of the switch housing/light fitter.</li> <li>4. Tighten screws securely.</li> </ol>
<b>3. Fan wobbles or shakes excessively</b>	<ol style="list-style-type: none"> <li>1. Screws securing fan blade flanges to motor are loose.</li> <li>2. Fan blade flanges not seated properly.</li> <li>3. Mounting plate/light fitter and/or ceiling outlet box are not securely fastened.</li> <li>4. Fan blades out of balance.</li> </ol>	<ol style="list-style-type: none"> <li>1. Check to be sure screws which attach the fan blade flanges to the motor are tight.</li> <li>2. Check to be sure the fan blade flanges seat firmly and uniformly to the surface of the motor. If flanges are seated incorrectly, loosen the screws and retighten.</li> <li>3. Tighten the mounting plate/light fitter screws to the outlet box, and/or secure outlet box.</li> <li>4. Interchanging an adjacent (side-by-side) blade pair can redistribute the weight and result in smoother operation.</li> </ol>

## Maintenance

### IMPORTANT CARE INSTRUCTIONS For Your Ceiling Fan

Periodic cleaning of your new ceiling fan is the only maintenance that is needed.

When cleaning, use only a soft brush or lint free cloth to avoid scratching the finish.

Abrasive cleaning agents are not required and should be avoided to prevent damage to finish.


### ⚠ WARNING


**Do not use water when cleaning your ceiling fan. It could damage the motor or the blades and create the possibility of an electrical shock.**

## Accessories

1. Emerson speed controls (see store or catalog).

 <b>WARNING</b>
<p>To reduce the risk of fire or electrical shock, do not use fan with any solid-state speed control device.</p>

 <b>WARNING</b>
<p>The use of any other control not specifically approved for this fan could result in fire, shock and personal injury.</p>

 <b>WARNING</b>
<p>This product is designed to use only those parts supplied with this product and/or any accessories designated specifically for use with this product by Emerson Electric Co. Substitution of parts or accessories not designated for use with this product by Emerson could result in personal injury or property damage.</p>

## Repair Parts Listing

Key No.	Description	Part Number
		Model. CF875SPB00
1	Switch Housing/Light Fitter Assembly	761653
2	Glass Shade (set of 4)	761656
3	Flange Assembly (set of 5)	761652
4	Blade Assembly (set of 5)	761548
—	Loose Parts Bag Containing: Blade Hardware Hanging Hardware Pull Chain Ball	761555-2
5	Crystal Glass Housing	761657
—	Owner's Manual	BP7193-2

Before discarding packaging material, be certain all parts have been removed.

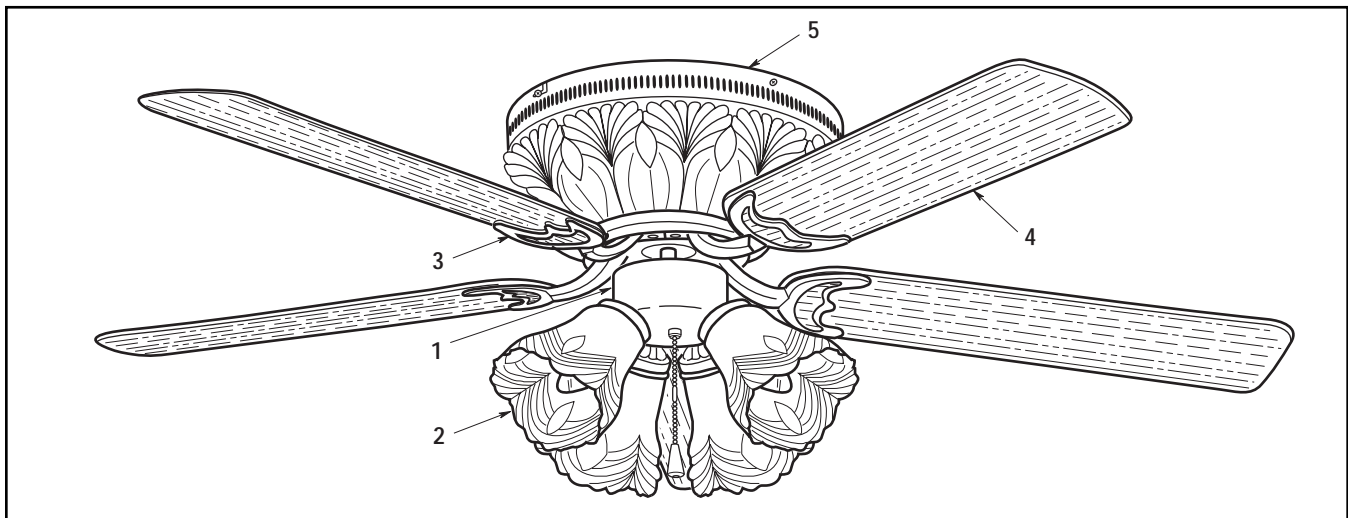
### HOW TO ORDER REPAIR PARTS

WHEN ORDERING REPAIR PARTS, ALWAYS GIVE THE FOLLOWING INFORMATION:

- PART NUMBER
- PART DESCRIPTION
- NAME OF ITEM
- MODEL NUMBER

The model number of your Fan will be found on a label attached to the top housing.

For repair parts, phone 1-800-654-3545.



**EMERSON**

Air Comfort Products  
DIVISION OF EMERSON ELECTRIC CO.  
8100 W. Florissant • St. Louis, MO 63136