

Field Phone & Wire Tracer

KX15

- For cable jointing and splicing work
- For wire and pair identification
- For speech communication



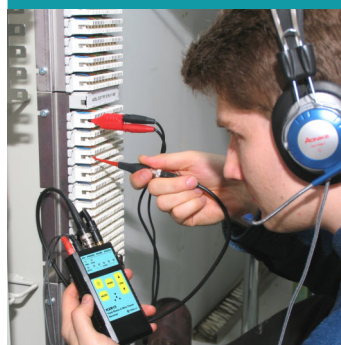
Use the speech communication to talk with your partner...



...in the field identifying wire pairs for splicing or fault repairing - fast & efficient



Trace pairs in distribution racks and at cross-connections

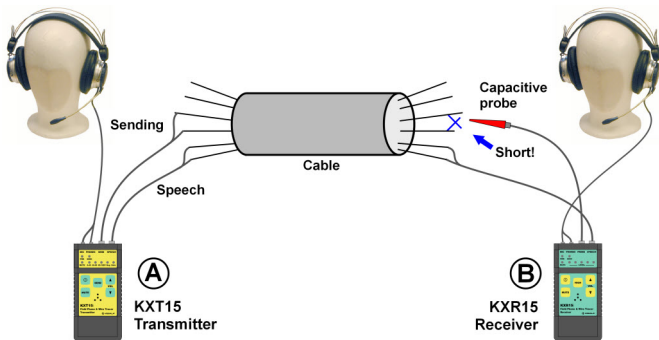


KX15 - Field Phone and Wire Tracer

KX15 is a complete wire tracing equipment with integrated field phone. It is specially designed for cable jointing & splicing work. By using KX15 technicians can quickly identify right pairs before jointing, particularly with thick multipair cable faults.

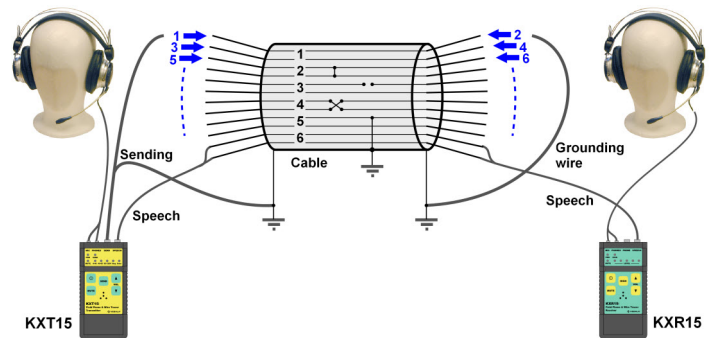
KX15 consists of a transmitter KXT15 and receiver KXR15. It combines all necessary functions for testing and identifying wire pairs in the field.

Pair identification method



Above illustration shows the standard way of using KX15 for pair tracing: After speech communication has been established (A) and (B), (A) connects sending signal to the pair to be traced. (B) can now find the pair with the capacitive probe. When (B) short-circuits the found pair, transmitter will indicate the short-circuit with clear beep as verification.

Wire identification (galvanic method)



Above illustration shows a galvanic checking method of unused (cold) pairs. By using the step-by-step procedure short-circuits, cut wires, cross connections and ground leaks can be detected.

With special accessories KX15 is suitable for locating cables and detecting pipe blockages.

Technical specifications

Connectors

KXT15: 2 RCA females (SEND/listening and voice contact), 2 3.5mm jacks for headset

KXR15: BNC female (probe connector), RCA female (voice contact), 2 3.5mm jacks for headset

Indicators (LEDs & sound)

KXT15: 4 voltage LEDs, polarity, data, SEND mode and microphone muting indicator LEDs Loudspeaker for sound indications and high-ohmic listening

KXR15: 5 signal level indicator LEDs, power LED, HIGH-mode and microphone muting indicator LEDs, Loudspeaker for listening tracing signal

Signal frequency & operating distance

KXT15: 10kHz and 341Hz / 2.5V interrupted square wave

KXR15: Operating distance up to approx. 7km

Voice connection

Impedance 600 ohms, adjustable volume in both units

Batteries

2pcs IEC 6LR61 alkaline battery

Enclosures & weights

ABS 120x60x24mm, belt clip and wrist band, weight approx. 170g (per unit) including battery

KX15 basic setp

Transmitter KXT15 set

PJ15 and **PJ15p** Speech and test cord (1.5m, RCA/banana plugs & crocodile clips)

HM12 Headset

KPP5 Carrying bag (nylon, 240x180x130 mm)
User manual and battery

Receiver KXR15 set

PJ15 Speech cord (1.5m, RCA/banana plugs & crocodile clips)

AK1 Receiver probe cord (1.2m BNC male/BNC male)

KA6 Capacitive hook probe

LA5 Inductive close range probe

HM12 Headset

KPP5 Carrying bag (nylon, 240x180x130 mm)
User manual and battery



KXT15 & accessories



KXR15 & accessories

© H. Vesala Ltd. 1447. Contents subject to change without notice.
VESALA is a registered trademark of H. Vesala Ltd. Product is made in Finland.

Manufacturer:

H.VESALA Oy (Ltd.)

Peräsimentie 1, FI-03100 NUMMELA, FINLAND

Tel. +358-(0)9 2248 920 Fax. +358-(0)9 2248 9230

Email: info@vesala.fi Web: www.vesala.fi