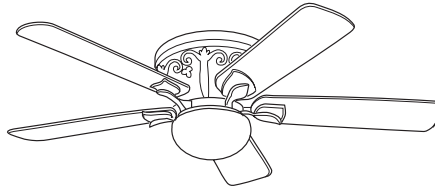


# READ AND SAVE THESE INSTRUCTIONS



## FLORISSANT™ 52" Ceiling Fan Owner's Manual



Net Weight: **28.8** Lbs.

Model No.  
CF730AGW00 CF730BZH00 CF730WB00

### LIMITED WARRANTY

**What The Warranty Covers:**

This warranty covers the motor and the other components and accessories of your Emerson ceiling fan against all defects in workmanship and materials. You must be the original purchaser or user of the product to be covered.

**What The Period Of Coverage Is:**

As it applies to the motor, this warranty will last for a lifetime of your ceiling fan. All other components and accessories are covered by this warranty for one year from the date you purchased your ceiling fan. ANY IMPLIED WARRANTY OF MERCHANTABILITY OR FITNESS FOR A PARTICULAR PURPOSE, MADE WITH RESPECT TO COMPONENTS AND ACCESSORIES IS ALSO LIMITED TO ONE YEAR.

**What Will Emerson Electric Co. Do To Correct Problems:**

Emerson Electric Co. will replace a defective Emerson Air Comfort Ceiling Fan motor, blade, component or other accessory at no charge to you. If repair of the motor or blades is not practical or possible within a reasonable time and no replacement can be provided, Emerson will refund the actual purchase price of your fan. **WE WILL SHIP THE REPAIRED PRODUCT OR REPLACEMENT TO YOU AT NO CHARGE, BUT YOU ARE RESPONSIBLE FOR ALL COSTS OR REMOVAL, REINSTALLATION AND SHIPPING OF THE PRODUCT TO EMERSON ELECTRIC CO.**

**How Can You Get Service:**

YOU MUST HAVE PROOF OF YOUR PURCHASE OF THE CEILING FAN TO OBTAIN LIMITED WARRANTY SERVICE. KEEP YOUR RECEIPT OR OTHER PROOF OF PURCHASE. You can return the product to our factory or to your nearest authorized service center.

- To return the product to the factory, obtain a return authorization and service identification tag by writing to Air Comfort Products, Division of Emerson Electric Co., 8100 W. Florissant Ave., St. Louis, MO 63136. Include all model numbers shown on the product with your request.
- To return the product to an authorized service center, call 1-800-654-3545 for the address of the nearest authorized service center.

You will be responsible for all insurance, freight or other transportation charges to our factory or authorized service center. Your Emerson Air Comfort Ceiling Fan should be properly packed to avoid damage in transit since we will not be responsible for any such damage.

**What Is Not Covered:**

The glass globes and light bulbs of your ceiling fan are not covered by this warranty. This warranty also does not cover any defects, malfunctions or failures caused by:

- Repairs by persons not authorized by Emerson Electric Co.,
- Use of parts or accessories not authorized by Emerson Electric Co.,
- Mishandling, improper installation, modifications or damage to your ceiling fan while in your possession, or
- Unreasonable use, misuse, abuse, including failing to do reasonable and necessary maintenance, and normal wear and tear.

Additionally, this warranty and any implied warranty of merchantability or fitness for a particular purpose are voided when:

- The original purchaser or user ceases to own the product, or
- The fan is moved from its original point of installation.

This warranty is only valid within the 50 states of the United States and the District of Columbia. No other written or oral warranties apply, and no employee, agent, dealer or other person is authorized to give any warranties on behalf of Emerson Electric Co.

REPAIR, REPLACEMENT OR A REFUND ARE THE EXCLUSIVE REMEDIES AVAILABLE UNDER THIS WARRANTY AND EMERSON IS NOT RESPONSIBLE FOR DAMAGES OF ANY KIND, INCLUDING INCIDENTAL AND CONSEQUENTIAL DAMAGES. Incidental damages include but are not limited to such damages as loss of time and loss of use. Consequential damages include but are not limited to the cost of repairing or replacing other property which was damaged if this product does not work properly.

**How State Law Relates To The Warranty:**

Some states do not allow the exclusion or limitation of incidental or consequential damages so the above exclusion or limitation may not apply to you. This warranty gives you specific legal rights, and you may also have other rights which vary from state to state.

Part No. F40BP73150000

Form No. BP7315  
U.L. Model No.: CF730

 **WARNING**

**WARNING:** To avoid fire, shock, and serious personal injury, follow these instructions.

**Safety Instructions**

1. Read your owner’s manual carefully and keep it for future reference.
2. Before servicing or cleaning unit, switch power off at service panel and lock service panel disconnecting means to prevent power from being switched on accidentally. When the service disconnecting means cannot be locked, securely fasten a warning device, such as a tag, to the service panel.
3. Be careful of the fan and blades when cleaning, painting, or working near the fan. Always turn off the power to the ceiling fan before servicing.
4. Do not put anything into the fan blades while they are turning.
5. Do not operate reversing switch until fan blades have come to a complete stop.

**Additional Safety Instructions for Installation**

1. To avoid possible shock, be sure electricity is turned off at the fuse box before wiring, and do not operate fan without blades.
2. The installation is to be in accordance with the National Electrical Code, ANSI/NFPA 70-1999 and Local Codes. Use the National Electrical Code if Local Codes do not exist. The ceiling fan must be grounded as a precaution against possible electrical shock. Electrical installation should be made or approved by a licensed electrician.
3. The outlet box and joist must be securely mounted and capable of reliably supporting at least 50 pounds. Use only U.L. outlet boxes listed as “Acceptable for Fan Support”, and use the mounting screws provided with the outlet box. Most outlet boxes commonly used for support of light fixtures are not acceptable for fan support and may need to be replaced. Consult a qualified electrician if in doubt.
4. The fan must be mounted with the fan blades at least 7 feet from the floor to prevent accidental contact with the fan blades.
5. Follow the recommended instructions for the proper method of wiring your ceiling fan. If you do not know enough about electrical wiring, have your fan installed by a licensed electrician.

**WARNING:** To reduce the risk of fire or electric shock, this fan should only be used with fan speed control Model No. UC7067RC, manufactured by Rhine Electric Co., Ltd.

**NOTE:** This fan is suitable for use with solid-state speed controls.

**WARNING:** This product is designed to use only those parts supplied with this product and/or any accessories designated specifically for use with this product by Emerson Electric Co. Substitution of parts or accessories not designated for use with this product by Emerson Electric Co. could result in personal injury or property damage.

**WARNING:** To reduce the risk of personal injury, do not bend the blade flange when installing the blade flanges, balancing the blades or cleaning the fan. Do not insert foreign objects in between rotating fan blades.

**WARNING:** To reduce the risk of electrical shock, this fan must be installed with an isolating wall control/switch.

**DATE CODE:** \_\_\_\_\_

The date code of this fan may be found on the box, stamped in ink on a white label. You should record this data above and keep it in a safe place for future use.

## This Manual is Designed to Make it as Easy as Possible for You to Assemble, Install, Operate and Maintain Your Ceiling Fan

### Tools Needed for Assembly

One Phillips head screwdriver  
 One 1/4" blade screwdriver  
 One 7/16" box or open end wrench or ratchet wrench  
 One wire stripper  
 One stepladder  
 Three wire connectors (supplied)

Installed Wire Length	Wire Size A.W.G.
Up to 50 ft.	14
50-100 ft.	12

### Materials

Wiring, outlet box and box connectors must be of type required by the local code. The minimum wire would be a 3-conductor (2-wire with ground) of the following sizes:



### WARNING

Before assembling your ceiling fan, refer to section on proper method of wiring your fan (page 5). If you feel you do not have enough wiring knowledge or experience, have your fan installed by a licensed electrician.

## Unpacking Instructions

For your convenience, check-off boxes are provided next to each step. As each step is completed, place a check mark in the box. This will insure that all steps have been completed and will be helpful in finding your place should you be interrupted.



### WARNING

Do not install or use fan if any part is damaged or missing. Call Toll-Free:

**1-800-654-3545**



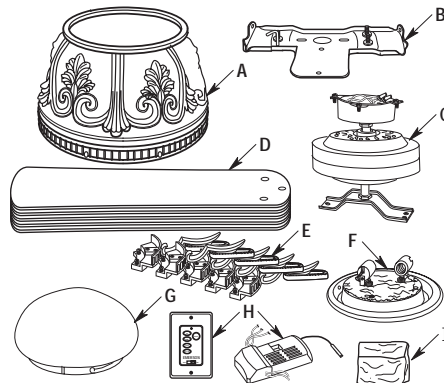
### WARNING

This product is designed to use only those parts supplied with this product and/or any accessories designated specifically for use with this product by Emerson Electric Co. Substitution of parts or accessories not designated for use with this product by Emerson Electric Co. could result in personal injury or property damage.

- i. One loose pars bag containing:
  1. Sixteen M5 x 6mm washer head screws
  2. Five M5 x 12mm pan head screws with lockwashers
  3. One M6 x 14mm pan head screw with lockwasher (extra flange-to-motor hub screw/lockwasher)
  4. Four 1/4-20 hex locknuts
  5. Four 1/4" flat washers
  6. Three wire connectors
  7. One receiver bracket
  8. One pull chain pendant
  9. One coupling

1. Open styrofoam unit containing fan. Remove top half of styrofoam unit. Remove parts and check to see that you have received the following parts:

- a. Fan housing
- b. One mounting plate
- c. One motor assembly
- d. Five fan blades
- e. Five blade flanges with captive screws
- f. One light fitter assembly
- g. One lower glass
- h. One SW101 Fan/Light Wall Control (transmitter and receiver)



**NOTE: If you are uncertain of part description, refer to exploded view.**

**NOTE: Place the parts from the loose parts bags in a small container to keep them from being lost.**

- 2. Remove the fan assembly from the protective plastic bag. Place the fan assembly into the upper foam pad with the lead wires up.

### Electrical Requirements

**IMPORTANT: Your ceiling fan will not function properly, and may be damaged, if used with any wall dimmer switch or control other than the Emerson Electric Fan/Light Wall Control supplied with the fan, or an optional Emerson Electric SR100 Remote Control.**

Your new ceiling fan will require a grounded electrical supply line of 120 volts AC, 60 Hz, 15 amp circuit.

The outlet box must be securely anchored and capable of withstanding a load of at least 50 pounds.

**⚠ WARNING**

To reduce the risk of fire, electric shock, or personal injury, mount fan to outlet box marked "Acceptable for Fan Support", and use screws supplied with outlet box. Most outlet boxes commonly used for support of light fixtures are not acceptable for fan support and may need to be replaced. Consult a qualified electrician if in doubt.

If your fan is to replace an existing ceiling light fixture, turn electricity off at the main fuse or circuit breaker box at this time and remove the existing light fixture.

**⚠ WARNING**

Turning off wall switch is not sufficient. To avoid possible electrical shock, be sure electricity is turned off at the main fuse or circuit breaker box before wiring. All wiring must be in accordance with National and Local codes and the ceiling fan must be properly grounded as a precaution against possible electrical shock.

- 1. Remove and retain the pan head screw with lockwasher from the mounting plate (Figure 1). Engage the tab on the end of the receiver bracket (supplied) with the slot in the mounting plate and position the receiver on the plate.

**IMPORTANT: The flat side of the receiver must be placed against the mounting plate, and the receiver wires must be to the right of the bracket as shown in Figure 1.**

## Ceiling Fan Procedures

### General

Your Emerson ceiling fan comes supplied with a Fan/Light Wall Control which consists of a wall control (transmitter) and a remote control receiver mounted under the fan housing. This system allows you to regulate your ceiling fan speed and light intensity.

**NOTE: An optional Emerson Electric SR100 Remote Control may also be used to control your ceiling fan.**

### How to Install Your Ceiling Fan

**⚠ WARNING**

Turning off wall switch is not sufficient. To avoid possible electrical shock, be sure electricity is turned off at the main fuse or circuit breaker box before wiring. All wiring must be in accordance with National and Local codes and the ceiling fan must be properly grounded as a precaution against possible electrical shock.

- 2. Swing the receiver bracket down over the receiver (Figure 1). Position the receiver so that the code switch is not covered by the bracket, then securely reinstall the pan head screw with lockwasher (previously removed).
- 3. Pass the outlet box supply wires (black, white and ground) through the center hole in the mounting plate and securely attach the mounting plate to the outlet box using the screws supplied with the outlet box (Figure 3).

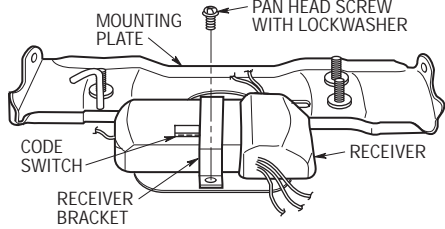


Figure 1

**WARNING**  
 The fan must be hung with at least 7' of clearance from floor to blades (Figure 2).

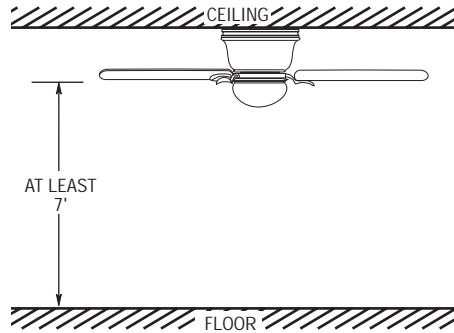


Figure 2

**WARNING**  
 The outlet box and joist must be securely mounted and capable of supporting at least 50 lbs. Use only a U.L. outlet box listed as "Acceptable for Fan Support".

**WARNING**  
 To reduce the risk of fire, electric shock, or personal injury, mount fan to outlet box marked "Acceptable for Fan Support", and use screws supplied with outlet box. Most outlet boxes commonly used for support of light fixtures are not acceptable for fan support and may need to be replaced. Consult a qualified electrician if in doubt.

**NOTE:** In order for the fan housing to fit flush with the ceiling, the outlet box must not protrude below the ceiling.

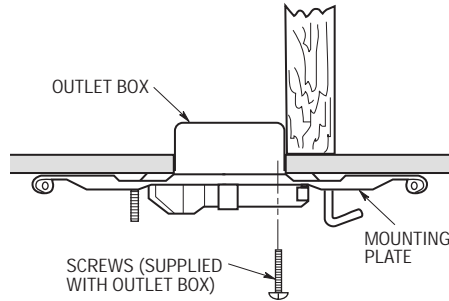


Figure 3

- 4. Carefully lift the fan motor assembly and engage the slot in the motor bracket with the hook on the mounting plate so that it is securely suspended (Figure 4).

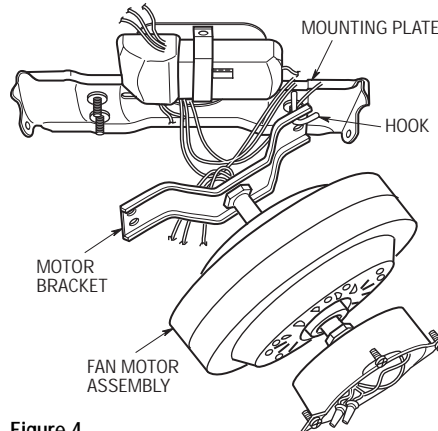


Figure 4

If you feel that you do not have enough electrical wiring knowledge or experience, have your fan installed by a licensed electrician.

**⚠ WARNING**  
 Turning off wall switch is not sufficient. To avoid possible electrical shock, be sure electricity is turned off at the main fuse or circuit breaker box before wiring. All wiring must be in accordance with National and Local codes and the ceiling fan must be properly grounded as a precaution against possible electrical shock.

**CAUTION:** To reduce the risk of electrical shock, disconnect the electrical supply circuit before installing the fan, light kit or receiver.

**NOTE:** Make all wiring connections using wire connectors (supplied). Make sure that all connections are tight, including ground, and that no bare wire is visible at the wire connectors, except for the ground wire.

- 5. Refer to Figures 5 and 6 and connect the receiver wires to the supply wires and the fan motor wires as follows:
  - a. Securely connect the green grounding wire from the motor bracket to the supply grounding conductor (this may be a bare wire or a wire with green insulation).

- b. Securely connect the supply white (neutral) wire to the receiver white (AC IN N) wire.
- c. Securely connect the supply black wire (hot) wire to the receiver black (AC IN L) wire.
- d. Securely connect the fan motor white wire to the receiver white (TO MOTOR N) wire.
- e. Securely connect the fan motor black wire to the receiver red (TO MOTOR L) wire.
- f. Securely connect the fan motor blue wire to the receiver blue (FOR LIGHT) wire.

**⚠ WARNING**  
 Check to see that all connections are tight, including ground, and that no bare wire is visible at the wire connectors, except for the ground wire. Do not operate fan until blades are in place. Noise and fan damage could result.

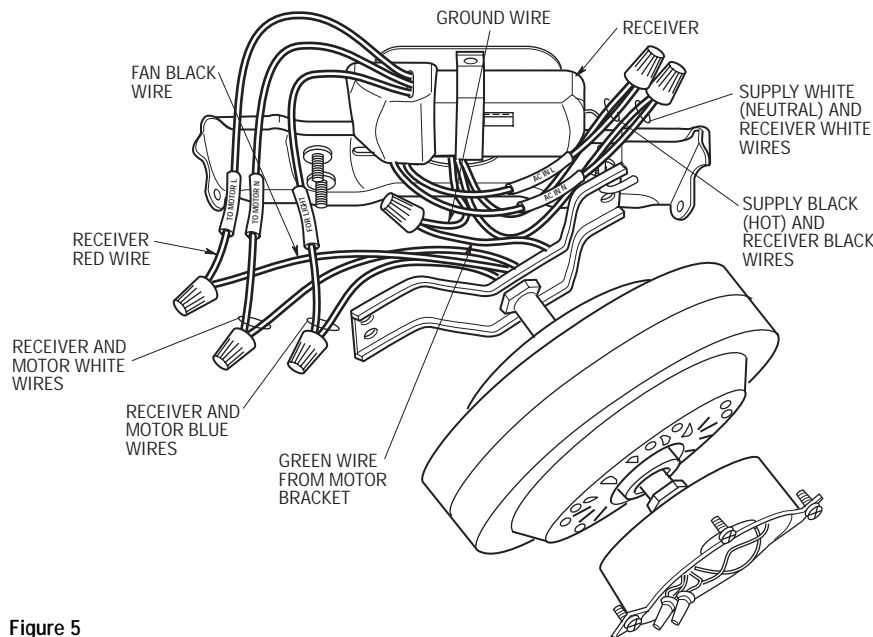


Figure 5

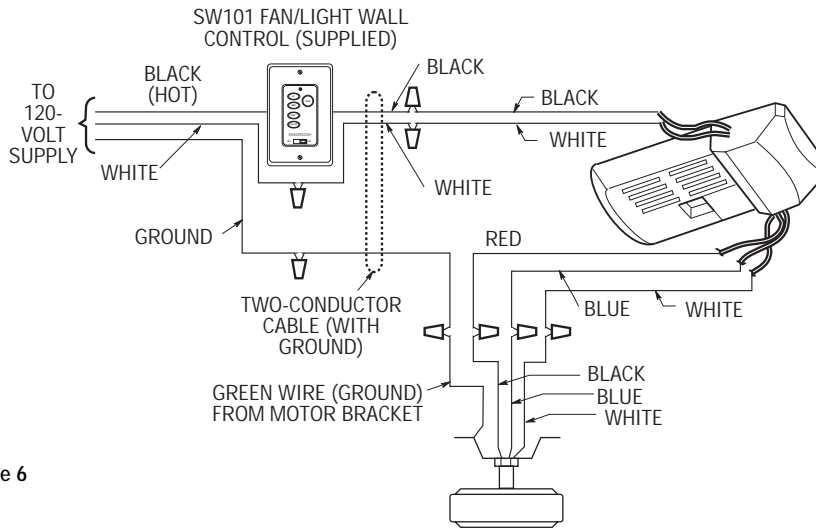


Figure 6

- 6. Carefully push the wires and connectors up into the outlet box.
- 7. Pivot the motor assembly on the hook so that the three threaded studs on the mounting plate protrude through the three holes in the motor bracket (Figure 7).
- 9. Align the two indents on the inside of the motor housing with the two tabs on the mounting plate (Figure 8). Turn the housing clockwise to hold the housing on the mounting plate. Secure the housing to the mounting plate by installing four pointed M5 x 12mm pan head screws with lockwashers (supplied).

**WARNING**  
 To avoid possible fire or shock, do not pinch wires between the motor bracket and mounting plate, and be sure no wires or wire connectors are near the top of the motor.

- 8. Install and securely tighten three 1/4-20 locknuts and flat washers (nuts and washers supplied) onto the threaded studs (Figure 7), then try to shake the motor bracket to ensure that the assembly is tight.

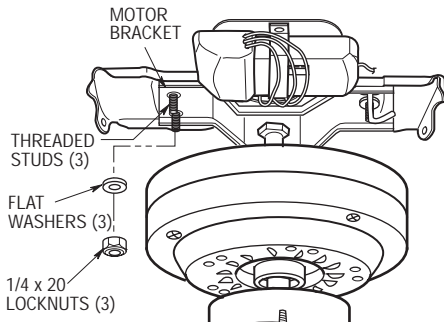


Figure 7

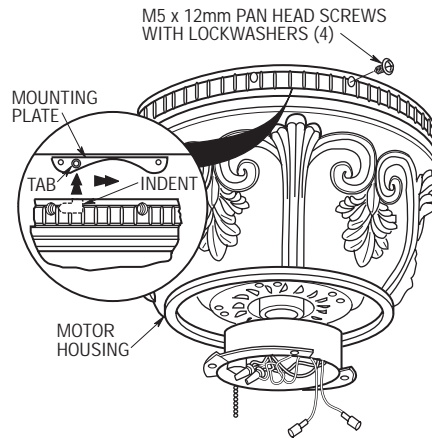


Figure 8



- 10. Mount one blade flange to a fan blade using three M5 x 6mm washer head screws (supplied) (Figure 9). Repeat this procedure for the four remaining blades.

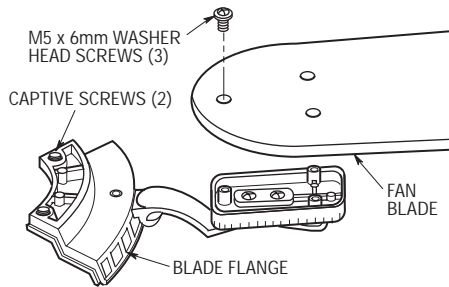


Figure 9

- 11. Position the blade flange on the motor hub so that the captive screws in the blade flange align with two threaded holes in the motor hub (Figure 10). Loosely tighten the captive screws at this time. Repeat this procedure for the remaining four blade assemblies.
- 12. Gently snug all captive screws to the motor hug, working around the hub in a clockwise sequence. Next, securely tighten all captive screws, again working in a clockwise sequence. Failure to follow this procedure could result in fan wobble. This completes the blade installation.

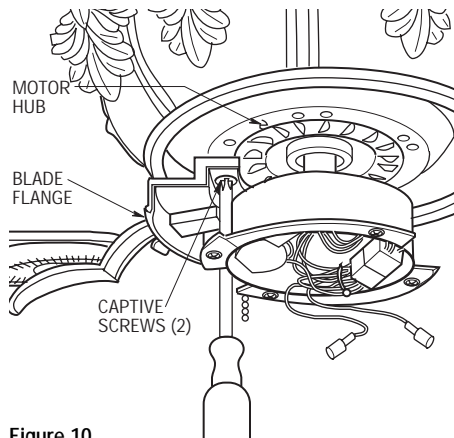


Figure 10

- 13. Remove and retain the pan head screw with lockwasher from the recessed portion of the switch housing flange (Figure 11). Loosen the other three pan head screws in the flange two or three turns.
- 14. Connect the white wire from the light fitter to the white wire from the switch housing (Figure 11). Connect the black wire from the light fitter to the blue wire from the switch housing. Make sure both connectors are securely engaged.

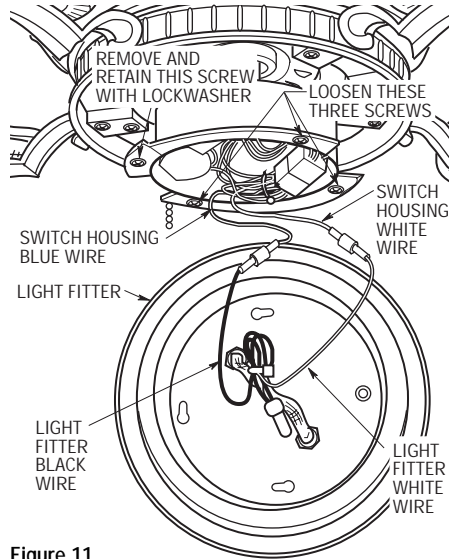


Figure 11

- 15. Pass the reversing switch pull chain through the hole in the light fitter (Figure 12). Position the three keyhole slots in the light fitter over the three pan head screws in the switch housing flange and turn the light fitter clockwise.

**⚠ WARNING**

**To avoid possible fire or shock, before tightening the screws, make sure that the wires are not pinched between the light fitter and the switch housing flange. Pinched wires will also cause the light fitter to mount crooked on the switch housing.**

- 16. Tighten the three pan head screws (Figure 12). Reinstall the pan head screw with lockwasher (previously removed) in the remaining hole to secure the light fitter.



**NOTE: Make sure that the lockwashers are positioned between the screw head and the light fitter.**

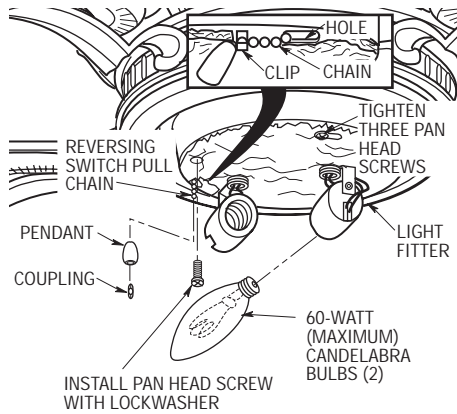


Figure 12

- 17. Slip the reversing switch chain through the pendant (supplied), then secure the pendant by snapping the coupling onto the end of the chain (Figure 12). Hook the chain in the clip as shown in Figure 12 insert.
- 18. Screw in two 60-watt (maximum) candelabra bulbs in the light fitter sockets (Figure 12). Bulbs not supplied.
- 19. Place the lower glass into the light fitter, aligning the three flat areas on the lower glass flange with the three tabs on the light fitter (Figure 13). Then turn the lower glass clockwise until the glass stops turning.

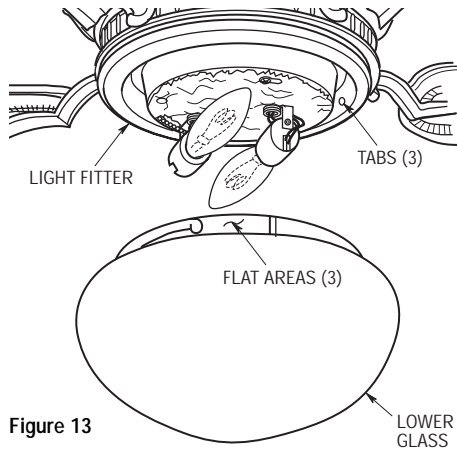


Figure 13

- 20. Your ceiling fan is now installed and wired to be controlled by your SW101 Fan/Light Wall Control.

## Setting Operating Frequency of Wall Control and Receiver (Figure 14)

Your wall control and receiver have code switches which must be set in one of 16 possible code combinations. The four levers (numbered 1, 2, 3, and 4) on the switches are factory-set in the ON (up) position. Change the switch settings as follows:

- 1. Slide the four switch levers in the wall control to your choice of ON (up) or down positions. Use a ball-point pen or small screwdriver and slide the levers firmly up or down.
- 2. In the receiver, slide the four switch levers to the same positions as set in the wall control. Make sure the levers on both switches are in the same positions, otherwise the fan will not operate.

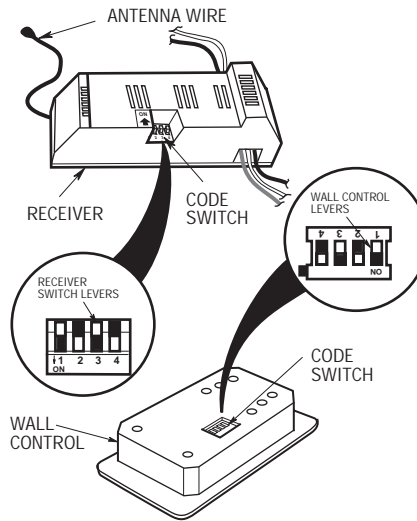


Figure 14

## Installation of Wall Control

### SINGLE-POLE INSTALLATION (Figure 15)

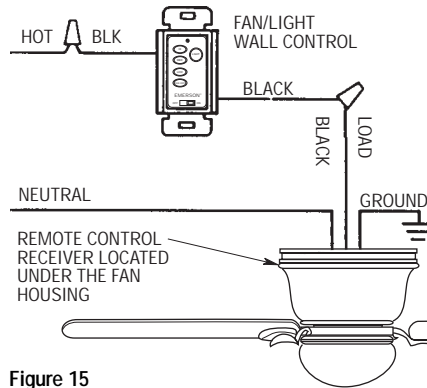


Figure 15

- ❑ 1. Disconnect power at circuit breaker or remove fuse.
- ❑ 2. Remove faceplate and screws from existing wall control. Pull control out from the wall box. Determine the "hot" wire and the "load" wire and disconnect these wires from control. Do not attempt to disconnect any wires not already connected to existing control.
- ❑ 3. Before installing wall control, place wall control in "OFF" mode by pushing "ON/OFF" switch to the "OFF" position.

**⚠ WARNING**  
Do not connect any neutral (white) wire to this control. Incorrect wiring will damage this control.

- ❑ 4. Connect one black wire of wall control to the "hot" wire. Securely connect wires with wire connectors supplied (Figure 16).
- ❑ 5. Connect one black wire of wall switch to the "load" (black) wire in wall box. Securely connect wires with wire connector supplied.
- ❑ 6. Screw wall control into wall box and install decorator style faceplate (included). Leave wall control in "OFF" mode until fan installation is completed.
- ❑ 7. Refer to page 4 and complete the ceiling fan installation.

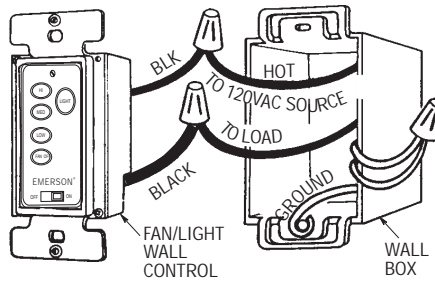


Figure 16

### 3-WAY INSTALLATION

(On fan controlled by two different wall controls) (See Figures 17 and 18.)

- ❑ 1. Disconnect power at circuit breaker or remove fuse.
- ❑ 2. At all wall box locations remove faceplates and screws from existing controls. Pull controls out from wall boxes and determine which wall box contains the "hot" lead and which wall box contains the "load" wire. Also, identify traveler wires which are common to both wall boxes. Disconnect wires from existing controls only. Do not attempt to disconnect any wires not already connected to existing controls.
- ❑ 3. Before installing wall control, place wall control in "OFF" mode by pushing "ON/OFF" switch to the "OFF" position.

**⚠ WARNING**  
Do not connect any neutral (white) wire to this control. Incorrect wiring will damage this control.

- ❑ 4. Install a wall control in the wall box containing the "hot" wire first. Connect the black wire of the wall control to the "hot" wire. Securely connect wires with wire connectors supplied.
- ❑ 5. Connect one black wire of the wall control to both remaining traveler wires in the wall box and secure with wire connector supplied.

**NOTE: Retrofit 3-way installations are likely to include two traveler wires between the two wall boxes. In new construction, only one traveler wire is required.**

**3-WAY WIRING DIAGRAM: NEW CONSTRUCTION**

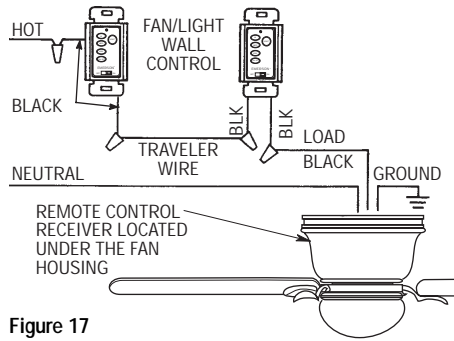


Figure 17

- 6. Place wall control into wall box. Screw in place and install decorator style faceplate (included).
- 7. Next, install the other wall control into the wall box containing the load wire. Connect the black wire of the wall control to the traveler wire(s) already connected to the black wire (in the other wall box). Secure with wire connectors supplied.

- 8. Connect one black wire of the wall control to the "load" (black) wire and secure with wire connector supplied.
- 9. Place the second wall control into the wall box. Screw in place and install decorator style faceplate (included). Leave switch in "OFF" mode until fan installation is completed.
- 10. Refer to page 4 and complete the ceiling fan installation.

**STANDARD WIRING FOR EXISTING 3-WAY CONTROL**

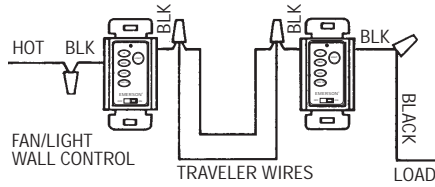
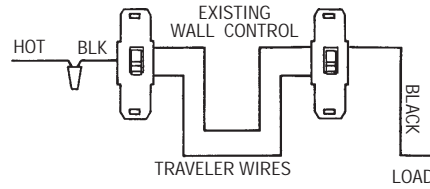


Figure 18

## Operating Your Ceiling Fan

### IMPORTANT

**Fan installation must be completed, including the installation of the fan blades, before testing of the remote control.**

Your Fan/Light Wall Control (Figure 19) has full control of your fan and light. However, airflow direction is controlled by a pull chain on the light fitter switch.

- 1. Restore electrical power to the outlet box by turning the electricity on at the service panel.

**NOTE: Make sure that the ON/OFF slide switch on the Fan/Light Wall Control is in the ON position.**

- 2. To set the desired fan speed, press the HI, MED, or LOW buttons to operate your fan on high, medium, or low speed (Figure 19).
- 3. To turn your fan off, press the OFF button.
- 4. To set the level of housing light brightness, press and hold the LIGHT button. The light brightness will continue to increase then decrease while the button is held down. When the light is at the desired brightness, release the button.

- 5. To turn the housing lights on and off, press and release the LIGHT button. The light will turn on at the light level previously set (see step 4).
- 6. If airflow is desired in the opposite direction, turn the fan off and wait for the blades to stop turning. Turn the lower glass counterclockwise and remove the glass from the light fitter (Figure 12). Remove the pull chain from the clip on the light fitter and pull on the pendant until the reversing switch clicks. Replace the pull chain in the clip, then replace the lower glass on the light fitter, and turn the glass clockwise until the glass stops turning. Turn the fan on again; the blades will turn in the opposite direction and reverse the airflow.

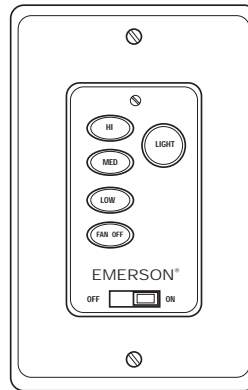


Figure 19

## Maintenance

### IMPORTANT CARE INSTRUCTIONS for your Ceiling Fan

Periodic cleaning of your new ceiling fan is the only maintenance that is needed.

When cleaning, use only a soft brush or lint free cloth to avoid scratching the finish.

Abrasive cleaning agents are not required and should be avoided to prevent damage to finish.

**⚠ WARNING**  
Do not use water when cleaning your ceiling fan. It could damage the motor or the blades and create the possibility of an electrical shock.

## Accessories

- 1. SR100 Remote Control (see store or catalog).

**⚠ WARNING**  
The use of any other control not specifically approved for this fan could result in fire, shock and personal injury.

**⚠ WARNING**  
This product is designed to use only those parts supplied with this product and/or any accessories designated specifically for use with this product by Emerson Electric Co. Substitution of parts or accessories not designated for use with this product by Emerson Electric Co. could result in personal injury or property damage.

### INSTRUCTION TO THE USER (if device contains a digital device)

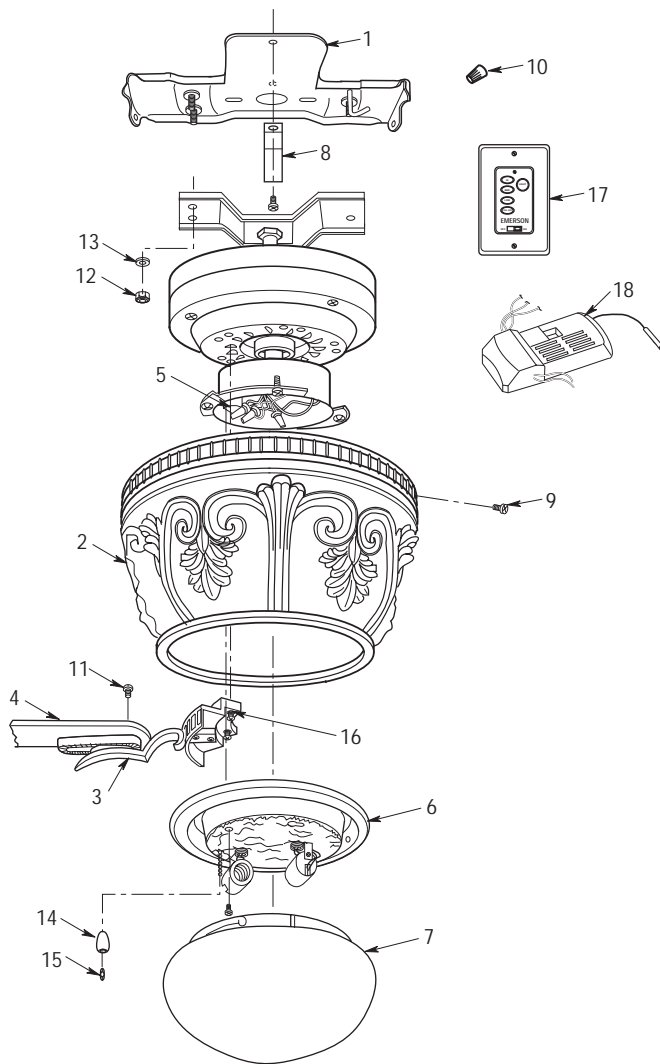
This equipment has been tested and found to comply with the limits for a Class B digital device, pursuant to part 15 of the FCC Rules. These limits are designed to provide reasonable protection against harmful interference in a residential installation. This equipment generates, uses and can radiate radio frequency energy and if not installed and used in accordance with the instructions, may cause harmful interference to radio communications. However, there is no guarantee that interference will not occur in a particular installation. If this equipment does cause harmful interference to radio or television reception, which can be determined by turning the equipment off and on, the user is encouraged to try to correct the interference by one or more of the following measures:

- Reorient or relocate the receiving antenna.
- Increase the separation between the equipment and receiver.
- Connect the equipment into an outlet on a circuit different from that to which the receiver is connected.
- Consult the dealer or an experienced radio/TV technician for help.

This equipment has been certified to comply with the limits for a Class B computing device, pursuant to FCC Rules. In order to maintain compliance with FCC regulations, shielded cables must be used with this equipment. Operation with non-approved equipment or unshielded cables is likely to result in interference to radio and TV reception. The user is cautioned that changes and modifications made to the equipment without the approval of manufacturer could void the user's authority to operate this equipment.

This Class B digital apparatus meets all requirements of the Canadian Interference-Causing Equipment Regulations.

## Repair Parts



**Before discarding packaging material, be certain all parts have been removed.**

### HOW TO ORDER REPAIR PARTS

WHEN ORDERING REPAIR PARTS, ALWAYS GIVE THE FOLLOWING INFORMATION:

- PART NUMBER
- NAME OF ITEM
- PART DESCRIPTION
- MODEL NUMBER

The model number of your Fan will be found on a label attached to the top housing.  
For repair parts, phone 1-800-654-3545.



## Repair Parts Listing

Key No.	Description	Part Numbers		
		Model No. CF730WB00	Model No. CF730BZH00	Model No. CF730AGW00
1	Plate, Mounting	763139	763139	763139
2	Housing, Fan	763126-WB	763126-BZH	763126-AGW
3	Flange Set (full set of one fan)	763127-WB	763127-BZH	763127-AGW
4	Blade Set (full set of one fan)	763132	763132-1	763132-1
5	Harness Assembly, Wiring	763134	763134	763134
6	Fitter Assembly, Light	763136-WB	763136-BZH	763136-AGW
7	Glass, Lower	763144	763144-1	763144-1
*	Parts Bag, Containing:	763135	763135	763135
8	Bracket Assembly, Receiver	—	—	—
9	Screw, Pan Head with Lockwasher, M5 x 12mm (5)	—	—	—
10	Connector, Wire (3)	—	—	—
11	Screw, Washer Head, M5 x 6mm (16)	—	—	—
12	Locknut, 1/4-20 (4)	—	—	—
13	Washer, Flat, 1/4" (4)	—	—	—
14	Pendant, Pull Chain	—	—	—
15	Coupling	—	—	—
16	Screw, Pan Head with Lockwasher, M6 x 14mm (extra flange screw)	—	—	—
17	Wall Control, Fan/Light	762348-1	762348-1	762348-1
18	Receiver, Remote Control	762670	762670	762670
—	Owner's Manual	BP7315	BP7315	BP7315

**⚠ WARNING: FOR YOUR OWN SAFETY TURN OFF POWER AT FUSE BOX OR CIRCUIT BREAKER BEFORE TROUBLE SHOOTING YOUR FAN.**

### Trouble Shooting

TROUBLE	PROBABLE CAUSE	SUGGESTED REMEDY
<b>1. Fan will not start.</b>	1. Fuse or circuit breaker blown.  2. Loose power line connections to the fan 3. Fan/Light Wall Control is OFF. 4. Code switches in remote control receiver and Fan/Light Wall Control are not set in the same position	1. Check main and branch circuit fuses or circuit breakers. <b>⚠ WARNING: Make sure main power is turned off.</b> 2. Check line power connections to fan.  3. Turn ON Fan/Light Wall Control. 4. Check that both code switches are set in the same positions.
<b>2. Fan sounds noisy.</b>	1. Screws securing fan blade flanges to motor hub are loose.  2. Screws holding blades to flanges are loose.	1. Check to make sure the screws which attach the blade flanges to the motor hub are tight.  2. Tighten screws securely.
<b>3. Fan wobbles</b>	1. Screws securing fan blade flanges to mounting hub are loose.  2. Fan blade flanges not seated properly.  3. Mounting plate and/or ceiling outlet box is not securely fastened. 4. Fan blades out of balance.	1. Check to be sure screws which attach the fan blade flanges to the mounting hub are tight.  2. Check to be sure that the fan blade flanges seat firmly and uniformly on the motor hub. If flanges are seated incorrectly, loosen the flange screws and retighten. 3. Tighten the mounting plate screws to the outlet box, and/or secure outlet box. 4. Interchanging an adjacent (side-by-side) blade pair can redistribute the weight and result in smoother operation. Or use supplied balancing kit to balance blades.



**Air Comfort Products**  
 DIVISION OF EMERSON ELECTRIC CO.  
 8100 W. Florissant • St. Louis, MO 63136