

HIGH RESOLUTION DISCRETE CEILING MOUNT CAMERA

PRODUCT FEATURES

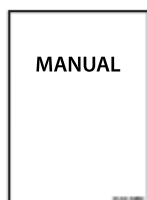
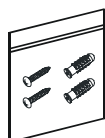
- 600 Lines of Resolution
- Auto White Balance
- Auto Back Light Compensation
- Auto Electronic Shutter
- Built-in 3.7mm Pinhole Lens
- Discreet Ceiling Mount Design
- 12 Volt DC Power Required
- For Indoor Use

SPECIFICATIONS

Model No.	CM37
Image Sensor	1/3" Sharp High Resolution CCD
TV System	NTSC
Effective Pixels	768 (H) x 494 (V)
Lens	3.7mm Fixed Focal Length (Pinhole Style)
Maximum Aperture Ratio	F1.2
Scanning System	2:1 Interlaced
Sync System	Internal
Video Output	1.0Vp-p 75ohm Composite
Resolution	600 TV Lines
Minimum Illumination	0.6 Lux
S/N Ratio	More than 48dB
Gamma Characteristic	0.45
Electronic Shutter Speed	1/60 ~ 1/100,000 Second
BLC (Backlight Compensation)	On (Factory Default)
AGC (Automatic Gain Control)	On (Factory Default)
AWB (Automatic White Balance)	On (Factory Default)
AES (Automatic Electronic Shutter)	On (Factory Default)
Power Requirement	12 Volts DC (Regulated)
Power Consumption	75mA
Operating Temperature	14°F ~ 122°F
Weight	7.8oz.
Housing	Polycarbonate (Off White)
Weatherproof Rating	Indoor Only
Dimensions (L x W x H)	4.7" x 2.4"

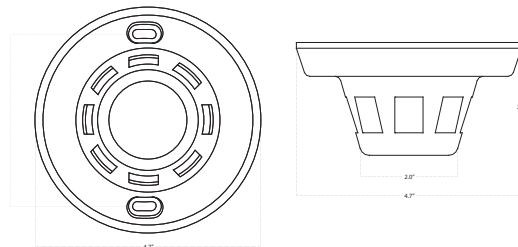
* All specifications subject to change without notice for quality improvement

PACKAGE CONTENTS

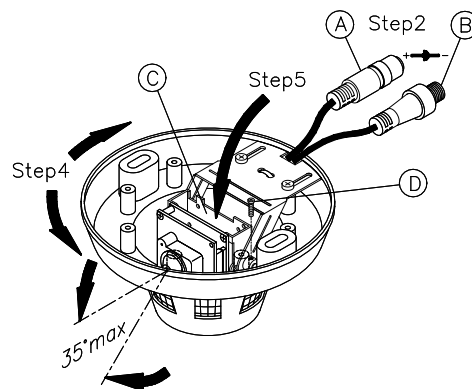


- (1) Camera
- (1) Mounting Hardware Packet
- (1) User Manual

CAMERA DIMENSIONS / LINE ART



CAMERA INSTALLATION/CONNECTIONS



- 1) Select a location in the ceiling where you want to install the camera unit.
- 2) Insert power lead into power connector **A** (insure proper voltage is supplied and observe polarity). Insert video lead into BNC connector **B** (push, then twist to lock BNC connector in place).
- 3) With your hand, position the camera unit so the camera is aimed toward the area to be observed.
- 4) While holding the unit in position, re-check the camera's horizontal sighting to ensure correct position.
- 5) If necessary adjust the vertical view angle, do the following - loosen screw **D** with a screwdriver. Turn the camera board **C** to the desired angle (you may use a portable monitor or make communication with the master control room to make sure that the viewing angle is correct). Tighten screw **D** to secure the vertical viewing angle.
- 6) To secure the unit in the location selected, tighten the screws **E** in the holes as shown below.

