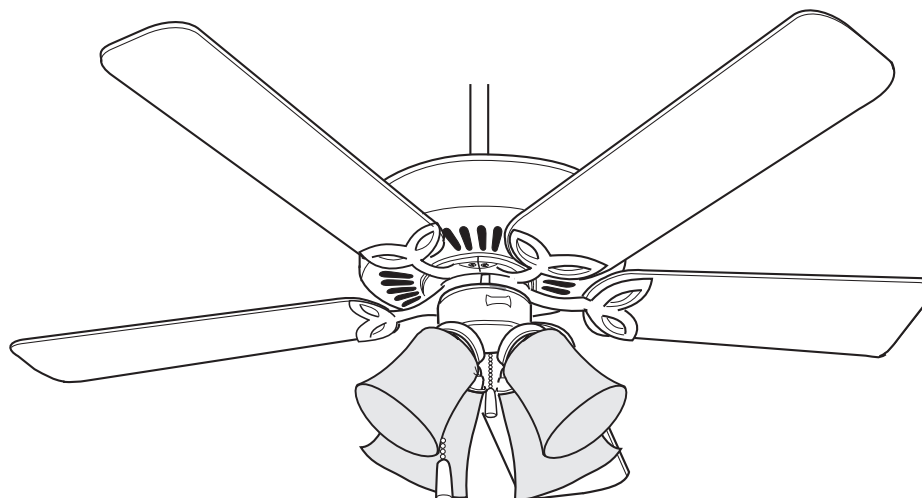


READ AND SAVE THESE INSTRUCTIONS

CF711 shown



42" Model No.

CF710AB00
CF710AW00
CF710BS00
CF710PB00
CF710WW00

Net Weight: 15.0 Lbs.

50" Model No.

CF711AB00 CF711PB00
CF711AW00 CF711WB00
CF711BS00 CF711WW00
CF711CK00

Net Weight: 19.8 Lbs.



EMERSON™

BUILDER PLUS Series Ceiling Fan Owner's Manual

 **WARNING**

WARNING: To avoid fire, shock, and serious personal injury, follow these instructions.

Safety Instructions

1. Read your owner's manual carefully and keep it for future reference.
2. Before servicing or cleaning unit, switch power off at service panel and lock service panel disconnecting means to prevent power from being switched on accidentally. When the service disconnecting means cannot be locked, securely fasten a warning device, such as a tag, to the service panel.
3. Be careful of the fan and blades when cleaning, painting, or working near the fan. Always turn off the power to the ceiling fan before servicing.
4. Do not put anything into the fan blades while they are turning.
5. Do not operate reversing switch until fan blades have come to a complete stop.

Additional Safety Instructions for Installation

1. To avoid possible shock, be sure electricity is turned off at the fuse box before wiring, and do not operate fan without blades.
2. All wiring must be in accordance with the National Electrical Codes "ANSI/NFPA 70-1999" and Local Electrical Codes. Use the National Electrical Code if Local Codes do not exist. The ceiling fan must be grounded as a precaution against possible electrical shock. Electrical installation should be made or approved by a licensed electrician.
3. The outlet box and joist must be securely mounted and capable of reliably supporting at least 50 pounds. Use only U.L. outlet boxes listed as "Acceptable for Fan Support", and use the mounting screws provided with the outlet box. Most outlet boxes commonly used for support of light fixtures are not acceptable for fan support and may need to be replaced. Consult a qualified electrician if in doubt.
4. The downrod furnished with the fan proves the minimum recommended floor to fan blade clearance for an 8 foot ceiling.
5. The fan must be mounted with the fan blades at least 7 feet from the floor to prevent accidental contact with the fan blades.
6. Follow the recommended instructions for the proper method of wiring your ceiling fan. If you do not know enough about electrical wiring, have your fan installed by a licensed electrician.

WARNING: To avoid fire, shock or injury, do not use an Emerson or any other brand of control not specifically approved for this fan.

WARNING: This product is designed to use only those parts supplied with this product and/or any accessories designated specifically for use this product by Emerson Electric Co. could result in personal injury or property damage.

WARNING: To Reduce the risk of personal injury, do not bend the blade flange when installing the blade flanges, balancing the blades or cleaning the fan. Do not insert foreign objects in between rotating fan blades.

DATE CODE: _____

The date code of this fan may be found on the box, stamped in ink on a white label.

You should record this data above and keep it in a safe place for future use.

This Manual Is Designed to Make it as Easy as Possible for You to Assemble, Install, Operate and Maintain Your Ceiling Fan

Tools Needed for Assembly

One Phillips head screwdriver One stepladder
 One 1/4" blade screwdriver One wire stripper
 Three wire connectors (supplied).

<u>Installed Wire Length</u>	<u>Wire Size A.W.G.</u>
Up to 50 ft.	14
50-100 ft.	12

MATERIALS

Wiring outlet box and box connectors must be of type required by the local code. The minimum wire would be a 3-conductor (2-wire with ground) of the following size:

▲ WARNING
Before assembling your ceiling fan, refer to section on proper method of wiring your fan (page 6). If you feel you do not have enough wiring knowledge or experience, have your fan installed by a licensed electrician.

Unpacking Instructions

For your convenience, check-off boxes are provided next to each step. As each step is completed, place a check mark in the box. This will insure that all steps have been completed and will be helpful in finding your place should you be interrupted.

▲ WARNING
Do not install or use fan if any part is damaged or missing. Call Toll-Free:
1-800-654-3545

▲ WARNING
This product is designed to use only those parts supplied with this product and/or any accessories designated specifically for use with this product by Emerson Electric Co. Substitution of parts or accessories not designated for use with this product by Emerson Electric Co. could result in personal injury or property damage.

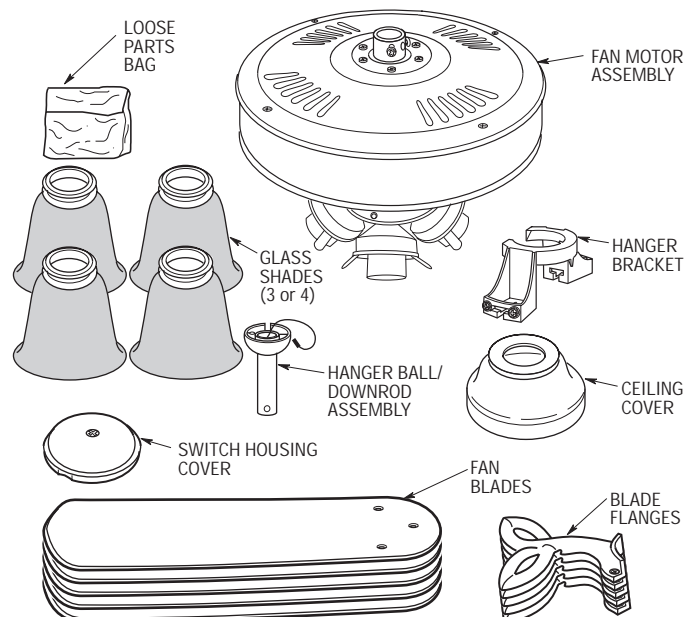
NOTE: Place the parts from the loose parts bags in a small container to keep them from being lost. If any parts are missing, contact your local retailer or catalog outlet for replacement before proceeding.

2. Remove the fan housing assembly from the protective plastic bag. Turn the upper styrofoam pad over and carefully place the fan motor assembly into the recess in the pad with the top of the motor facing up.

1. Check to see that you have received the following parts:

NOTE: If you are uncertain of part description, refer to exploded view illustration.

- a. Fan motor assembly
- b. Five fan blades
- c. One ceiling cover
- d. Five blade flanges
- e. One hanger ball/downrod assembly
- f. One hanger bracket
- g. One switch housing cover
- h. Glass shades (3 or 4)
- i. One loose parts bag containing:
 1. Sixteen M5 x 6 washer head blade screws
 2. One rubber gasket
 3. Two wood pendants
 4. Two couplings
 5. Three wire connectors
 6. One clevis pin
 7. One hairpin clip
 8. One Phillips round head flange screw



IMPORTANT

Your ceiling fan is designed to be installed either in the standard manner, or in the close-to-the-ceiling manner. Using the standard method, the hanger ball/downrod assembly will suspend the fan several inches below the ceiling cover. Using the close-to-the-ceiling method, the ceiling cover installs directly on the fan motor housing, thus mounting the fan 3-1/2 inches closer to the ceiling than the standard method. In no case should the fan blades be lower than seven feet above the floor. Depending on your desired mounting method, proceed to "INSTALLING HANGER BALL/DOWNROD ASSEMBLY" for standard mounting, or to "INSTALLING CEILING COVER ON FAN MOTOR HOUSING" for close-to-the-ceiling mounting.

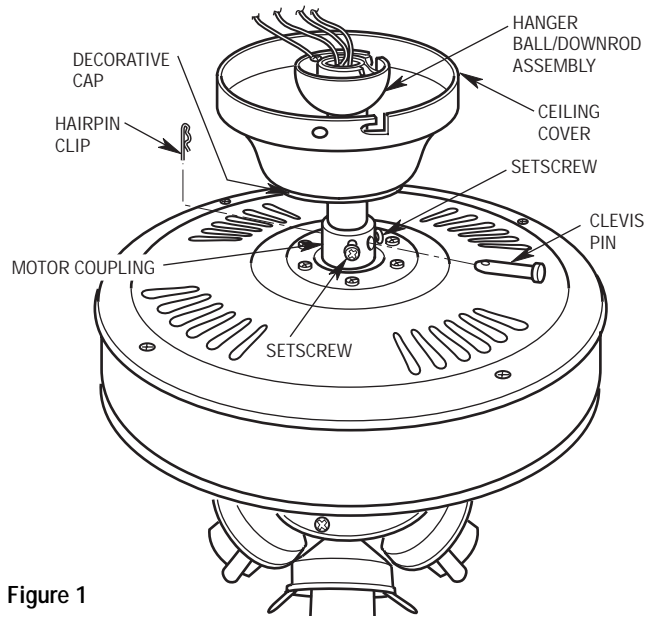


Figure 1

Installing The Hanger Ball/Downrod Assembly (For Standard Mounting)

1. Pass the 56" motor leads through the opening in the ceiling cover. Be sure the cover is oriented correctly.
2. Separate, untwist and unkink the three motor leads. Route the motor leads through the hanger ball/downrod assembly.
3. Loosen the two setscrews in the motor coupling. Align the clevis pin holes in the downrod with the holes in the motor coupling. Install the clevis pin and secure with the hairpin clip (Figure 1). The clevis pin must go through the holes in the motor coupling and the holes in the downrod. Be sure to push the straight leg of the hairpin clip through the hole near the end of the clevis pin until the curved portion of the hairpin clip snaps around the clevis pin. The hairpin clip must be properly installed to prevent the clevis pin from working loose. Pull on the hanger ball to make sure the clevis pin is properly installed.

▲ WARNING

It is critical that the clevis pin in the motor coupling is properly installed and the setscrews securely tightened. Failure to verify that the pin and setscrews are properly installed could result in the fan falling.

4. While pulling up on the hanger ball, securely tighten the two setscrews in the motor coupling (Figure 1).

NOTE: The setscrews must be properly installed as described above, or fan wobble could result.

5. The fan comes with blue, black and white leads that are 56" long. Measure up approximately 6 to 9-inches above top of hanger ball/downrod assembly. Cut off excess leads and strip back insulation 1/2-inch from end of leads.

Installing The Ceiling Cover On The Fan Motor Housing (For Close-to-the-Ceiling Mounting)

1. Remove and retain three screws from the top of the motor housing (Figure 2A).
2. Position the rubber gasket (supplied in parts bag) on the motor housing (small holes in gasket centered over the screw holes in the housing) (Figure 2B).

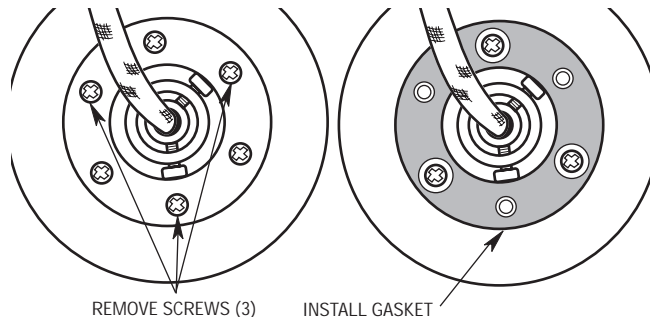


Figure 2A

Figure 2B

3. Gently pry the decorative cap (Figure 1) from the ceiling cover. Align the holes in the ceiling cover with the holes in the motor housing and secure using the three screws (Figure 3).

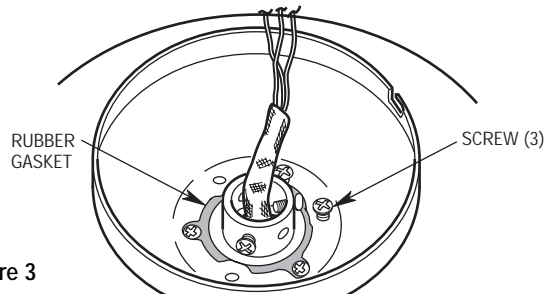


Figure 3

4. The fan comes with blue, black and white leads that are 56" long. Measure up approximately 6 to 9-inches above the motor coupling. Cut off excess leads and strip back insulation 1/2-inch from ends of leads.

Installing The Hanger Bracket

⚠ WARNING

The fan must be hung with at least 7' of clearance from floor to blades (Figure 4).



Figure 4

⚠ WARNING

The outlet box and joist must be securely mounted and capable of supporting at least 50 lbs. Use only a U.L. outlet box listed as "Acceptable for Fan Support".

1. Unscrew (but do not remove) the two mounting screws in the outlet box (Figure 5). Position the hanger bracket on the outlet box so that the T-slots in the hanger bracket are aligned with the outlet box screws.

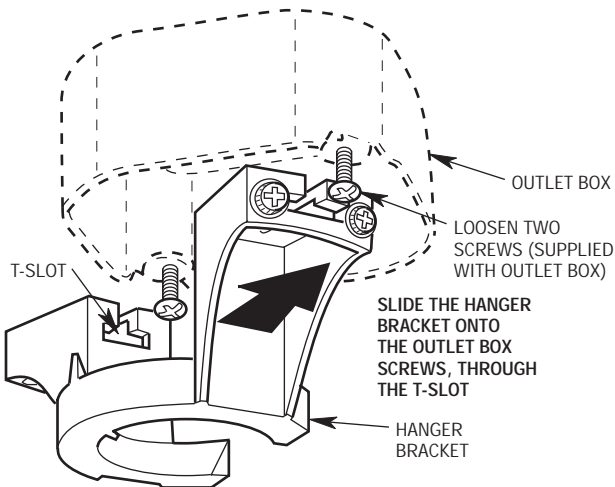


Figure 5

⚠ WARNING

To reduce the risk of fire, electrical shock, or personal injury, mount fan to outlet box marked "Acceptable for Fan Support", and use screws supplied with outlet box. Most outlet boxes commonly used for support of light fixtures are not acceptable for fan support and may need to be replaced. Consult a qualified electrician if in doubt.

NOTE: The hanger bracket must be mounted flush with the ceiling in order for the ceiling cover to install properly. If necessary, use leveling washers (not supplied) between the outlet box and the hanger bracket.

2. Slide the hanger bracket onto the outlet box screws. Center the bracket over the outlet box and then securely tighten the screws (Figure 6).

⚠ WARNING

Hanger bracket must seat firmly against outlet box. If the outlet box is recessed, use leveling washers between the hanger bracket and the outlet box until the bracket is flush with the ceiling. If bracket and/or outlet box are not securely attached, the fan could wobble or fall.

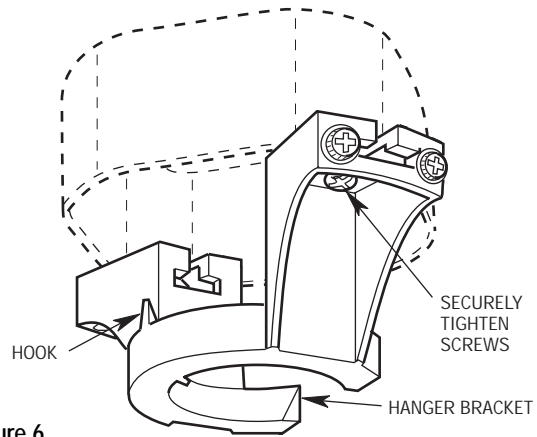


Figure 6

Hanging The Ceiling Fan (Standard Method Using Hanger Ball/Downrod)

1. Carefully lift the fan assembly and seat the hanger ball in the hanger bracket (Figure 7). The tab on the hanger bracket must seat in the groove in the hanger ball.

⚠ WARNING

Failure to seat tab in groove could cause damage to electrical wires and possible shock or fire hazard.

⚠ WARNING

To avoid fire or shock, do not pinch wires between the hanger ball/downrod assembly and hanger bracket.

Electrical Requirements

Your new ceiling fan will require a grounded electrical supply line of 120 volts AC, 60 Hz, 15 amp circuit.

The outlet box must be securely anchored and capable of withstanding a load of at least 50 pounds.

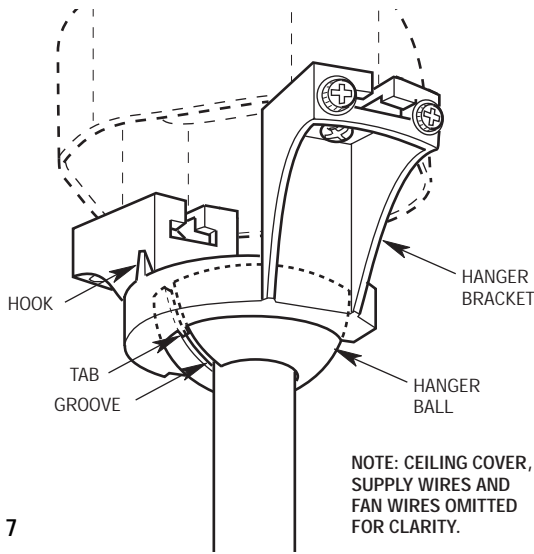


Figure 7

Hanging The Ceiling Fan (Close-to-the-Ceiling Method with Ceiling Cover Installed on the Motor Housing)

1. Carefully lift the fan assembly up to the hanger bracket. Pass the hook on the hanger bracket (Figure 7) through one of the screw holes (not the slots) in the ceiling cover (Figure 8). The hook must pass from the inside of the ceiling cover to the outside. The hook will hold the fan assembly while connecting the wiring.

⚠ WARNING

The hook must pass through the screw hole in the ceiling cover from the inside to the outside. Any other hanging method may cause the hook to break and the fan to fall.

⚠ WARNING

Turning off wall switch is not sufficient. To avoid possible electrical shock, be sure electricity is turned off at the main fuse box before wiring. All wiring must be in accordance with National and Local Codes and the ceiling fan must be properly grounded as a precaution against possible electrical shock.

⚠ WARNING

To avoid possible fire or shock, do not pinch wires between the hanger ball/downrod assembly and hanger bracket.

Wiring The Ceiling Fan

If you feel that you do not have enough electrical wiring knowledge or experience, have your fan installed by a licensed electrician.

⚠ WARNING

To avoid possible electrical shock, be sure electricity is turned off at the main fuse box before wiring.
NOTE: If you are not sure if the outlet box is grounded, contact a licensed electrician for advice, as it must be grounded for safe operation.

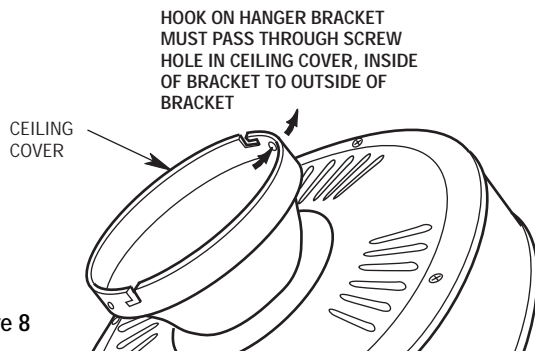


Figure 8

1. Connect the green grounding lead from the hanger ball and the green grounding lead from the hanger bracket to the grounding conductor of supply (this may be a bare wire or wire with green colored insulation) (Figure 9). Securely connect wires using wire connectors supplied.

NOTE: When wiring the ceiling fan for close-to-the-ceiling mounting, there will be no green grounding lead from the hanger ball.

2. Securely connect the fan motor white wire to the supply white (neutral) wire using wire connector supplied (Figure 9). Securely connect the fan motor black wire and blue wire to the supply black (hot) wire using wire connector supplied (Figure 9). After connections have been made, turn leads upward and carefully push leads into the outlet box, with the white and green leads on one side of the outlet box and the black and blue leads on the other side of the outlet box.

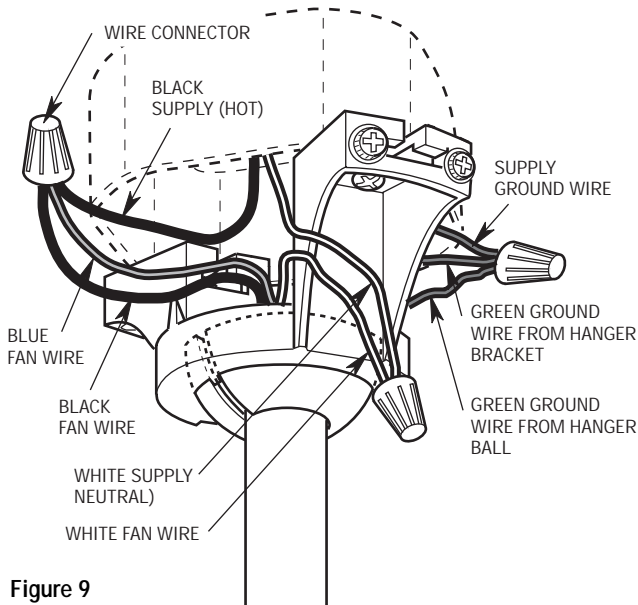


Figure 9

⚠ WARNING

Check to see that all connections are tight, including ground, and that no bare wire is visible at the wire connectors, except for the ground wire. Do not operate fan until blades are in place. Noise and fan damage could result.

Installing The Ceiling Cover

1. Remove the left screw and lockwasher from each side of the hanger bracket (Figure 10) and loosen the other two screws.

NOTE: When installing the ceiling fan using the close-to-the-ceiling method, carefully lift the fan assembly from the hook on the hanger bracket and proceed as follows.

2. Lift the ceiling cover up to the hanger bracket. Engage the slots in the ceiling cover with the loosened screws in the bracket and turn the cover counterclockwise (Figure 10). Be sure that the lockwashers are between the screw heads and the ceiling cover.
3. Install the other two screws and lockwashers; tighten all screws securely.

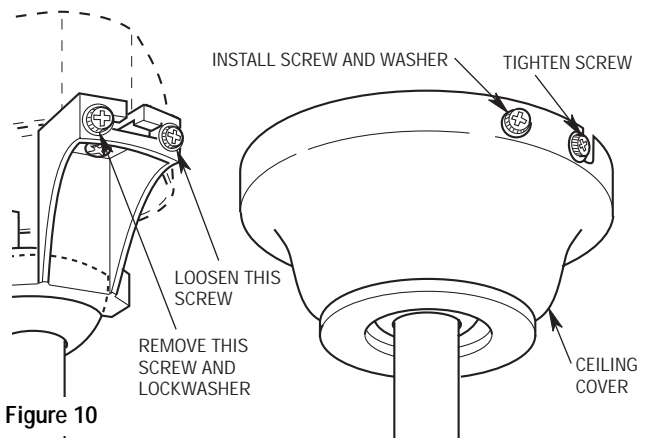


Figure 10

⚠ WARNING

To avoid possible fire or shock, make sure that the electrical wires are completely inside the outlet box and not pinched between the ceiling cover and the ceiling.

4. Cut the speed control switch pull chain and the light switch pull chain to the desired lengths. Connect the wood pendants (supplied) to the pull chains by sliding the pendants (small hole first) onto the pull chains. Then attach the chain couplings (supplied) to the end of the chains and allow the pendants to fall down over the couplings.

Installing The Fan Blades

⚠ WARNING

To reduce the risk of personal injury, do not bend the blade flanges when installing the flanges, balancing the blades, or cleaning the fan. Do not insert foreign objects between rotating fan blades.

1. Make sure the three rubber grommets are firmly seated on each of the blade flanges. Then mount the blade flanges to the fan blades using three M5 x 6 washer head blade screws per blade (Figure 11).

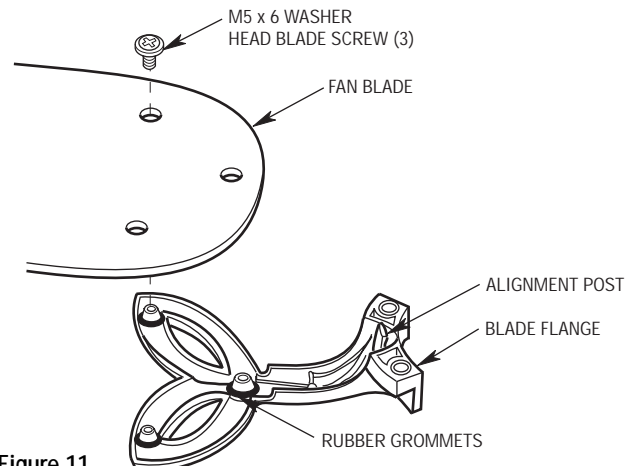


Figure 11

- 2. Mount one blade assembly to the motor hub by mating the alignment post (Figure 11) of the flange with one of the alignment slots in the motor hub (Figure 12). Then tighten the two captive screws in the flange to secure the flange to the motor hub. Repeat this procedure for the other four blade assemblies. Make sure all screws are tightened.

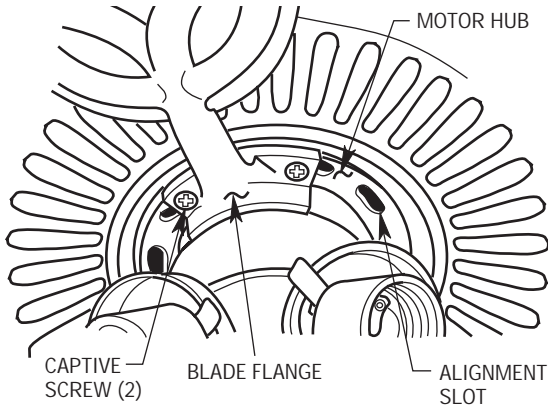


Figure 12

Installing The Glass Shades

- 1. To install the glass shade, squeeze the retaining clips towards the bulb socket and slide on the glass shade (Figure 13). The spring clips will seat the shade and secure it in place.
- 2. To remove the shade, simply pull it off with a twisting motion.

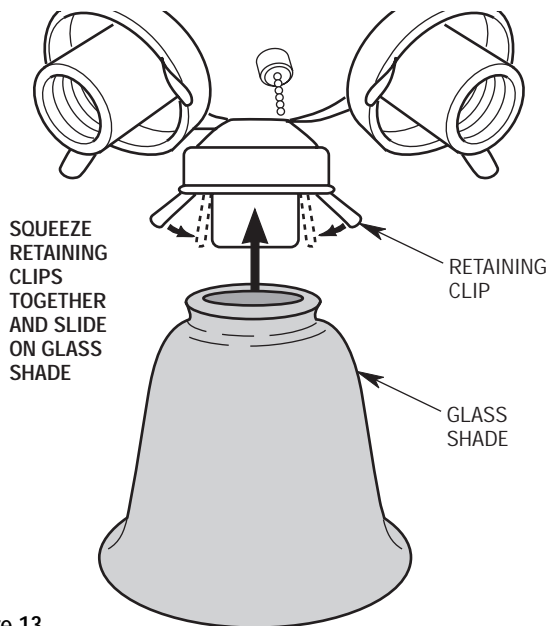


Figure 13

Removal Of The Light Fixture

NOTE: In some instances it may be desirable to install the ceiling fan without the light fixture. If this is the case, proceed as follows. (You may want to keep the light fixture for possible future use.)

- 1. Remove and retain the three screws securing the light fixture to the switch housing (Figure 14). Remove and retain two wire connectors and disconnect the light fixture from the switch housing.

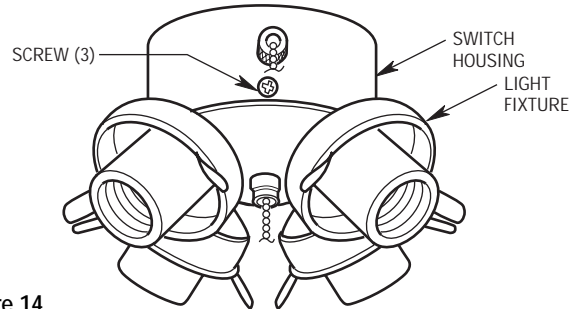


Figure 14

- 2. Use the wire connectors to securely cap the each of the two wires in the switch housing (Figure 15).
- 3. Position the switch housing cover (supplied) on the switch housing so that the notch in the cover clears the reversing switch. Install the three screws to secure the cover.

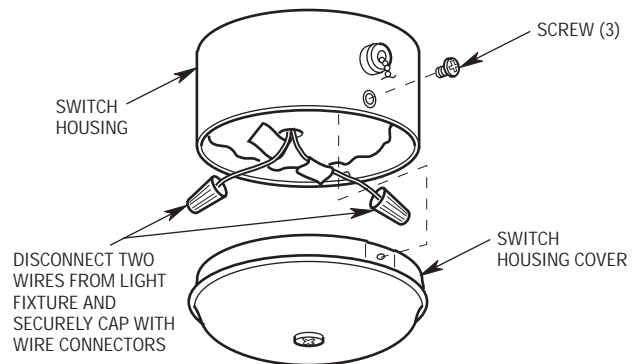
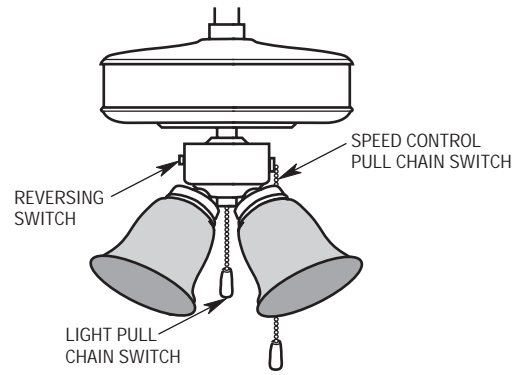


Figure 15

Using Your Ceiling Fan

1. Restore electrical power to the outlet box by turning the electricity on at the main fuse box.
2. Check the operation of the light by gently pulling on the light switch pull chain.
3. Check the operation of the fan by gently pulling on the speed control switch pull chain. The operation sequence is as follows:
 - 1st pull - High 3rd pull - Low
 - 2nd pull - Medium 4th pull - OFF
4. Your fan is shipped from the factory with the reversing switch positioned to circulate air downward. If airflow is desired in opposite direction, turn the fan off and wait for the blades to stop turning, then slide the reversing switch to the opposite position, and turn the fan on again. The fan blades will turn in the opposite direction and reverse the airflow.



⚠ WARNING: For your own safety, turn off power at fuse box or circuit breaker before trouble shooting your fan.

Trouble Shooting

TROUBLE	PROBABLE CAUSE	SUGGESTED REMEDY
1. Fan will not start.	<ol style="list-style-type: none"> 1. Fuse or circuit breaker blown. 2. Loose power line connections to the fan, or loose switch wire connections in the switch housing. 3. Reversing switch in neutral position. 	<ol style="list-style-type: none"> 1. Check main and branch circuit fuses or circuit breakers. 2. Check line wire connections to fan and switch wire connections in the switch housing. ⚠ WARNING: Make sure main power is turned off. 3. Make sure reversing switch position is all the way to one side.
2. Fan sounds noisy.	<ol style="list-style-type: none"> 1. Blades not attached to fan. 2. Screws securing fan blade flanges to motor hub are loose. 3. Wire connectors inside switch housing rattling. 4. Motor noise caused by solid-state variable speed control. 5. Screws holding blades to flanges are loose. 	<ol style="list-style-type: none"> 1. Attach blades to fan before operating. 2. Check to make sure the screws which attach the fan flanges to the motor hub are tight. 3. Check to make sure wire connectors in switch housing are not rattling against each other or against the interior wall of the switch housing. ⚠ WARNING: Make sure main power is turned off. 4. Some fan motors are sensitive to signals from Solid-State variable speed controls. If Solid-State Control is used and motor noise results choose an alternative control method. 5. Tighten screws securely.
3. Fan wobbles excessively.	<ol style="list-style-type: none"> 1. Setscrews in motor coupling are loose. 2. Setscrew in hanger ball/downrod assembly is loose. 3. Screws securing fan blade flanges to motor are loose. 4. Fan blade flanges not seated properly. 5. Hanger bracket and/or ceiling outlet box is not securely fastened. 6. Fan blades out of balance. 	<ol style="list-style-type: none"> 1. Tighten both setscrews securely in the motor coupling. 2. Tighten the setscrew in the hanger ball/downrod assembly. 3. Check to be sure screws which attach the fan blade flanges to the motor are tight. 4. Check to be sure the fan blade flanges seat firmly and uniformly to the surface of the motor. 5. Tighten the hanger bracket screws to the outlet box, and/or secure outlet box. 6. Interchanging an adjacent (side-by-side) blade pair can redistribute the weight and result in smoother operation.

Maintenance

IMPORTANT CARE INSTRUCTIONS for your Ceiling Fan

Periodic cleaning of your new ceiling fan is the only maintenance that is needed.

When cleaning, use only a soft brush or lint free cloth to avoid scratching the finish.

Abrasive cleaning agents are not required and should be avoided to prevent damage to finish.

WARNING

Do not use water when cleaning your ceiling fan. It could damage the motor or the blades and create the possibility of an electrical shock.

Accessories

1. Ceiling Fan/Light Controls (see store or catalog).
2. Downrod Extension Kits (see store or catalog).

WARNING

The use of any other control not specifically approved for this fan could result in fire, shock and personal injury.

WARNING

This product is designed to use only those parts supplied with this product and/or any accessories designated specifically for use with this product by Emerson Electric Co. Substitution of parts or accessories not designated for use with this product by Emerson Electric Co. could result in personal injury or property damage.

LIMITED WARRANTY

What The Warranty Covers:

This warranty covers the motor and the other components and accessories of your Emerson ceiling fan against all defects in workmanship and materials. You must be the original purchaser or user of the product to be covered.

What The Period Of Coverage Is:

As it applies to the motor, this warranty will last for fifteen years from the date you purchased your ceiling fan. All other components and accessories are covered by this warranty for one year from the date you purchased your ceiling fan. ANY IMPLIED WARRANTY OF MERCHANTABILITY OR FITNESS FOR A PARTICULAR PURPOSE, MADE WITH RESPECT TO COMPONENTS AND ACCESSORIES IS ALSO LIMITED TO ONE YEAR.

What Will Emerson Electric Co. Do To Correct Problems:

Emerson Electric Co. will replace a defective Emerson Air Comfort Ceiling Fan motor, blade, component or other accessory at no charge to you. If repair of the motor or blades is not practical or possible within a reasonable time and no replacement can be provided, Emerson will refund the actual purchase price of your fan. We will ship the repaired product or replacement to you at no charge, but you are responsible for all costs or removal, reinstallation and shipping of the product to Emerson Electric Co.

How Can You Get Service:

YOU MUST HAVE PROOF OF YOUR PURCHASE OF THE CEILING FAN TO OBTAIN LIMITED WARRANTY SERVICE. KEEP YOUR RECEIPT OR OTHER PROOF OF PURCHASE. You can return the product to our factory or to your nearest authorized service center.

- To return the product to the factory, obtain a return authorization and service identification tag by writing to Air Comfort Products, Division of Emerson Electric Co., 8100 W. Florissant Ave., St. Louis, MO 63136. Include all model numbers shown on the product with your request.
- To return the product to an authorized service center, call 1-800-654-3545 for the address of the nearest authorized service center.

You will be responsible for all insurance, freight or other transportation charges to our factory or authorized service center. Your Emerson Air Comfort Ceiling Fan should be properly packed to avoid damage in transit since we will not be responsible for any such damage.

What Is Not Covered:

The glass globes and light bulbs of your ceiling fan are not covered by this warranty. This warranty also does not cover any defects, malfunctions or failures caused by:

- Repairs by persons not authorized by Emerson Electric Co.,
- Use of parts or accessories not authorized by Emerson Electric Co.,
- Mishandling, improper installation, modifications or damage to your ceiling fan while in your possession, or
- Unreasonable use, misuse, abuse, including failing to do reasonable and necessary maintenance, and normal wear and tear.

Additionally, this warranty and any implied warranty of merchantability or fitness for a particular purpose are voided when:

- The original purchaser or user ceases to own the product, or
- The fan is moved from its original point of installation.

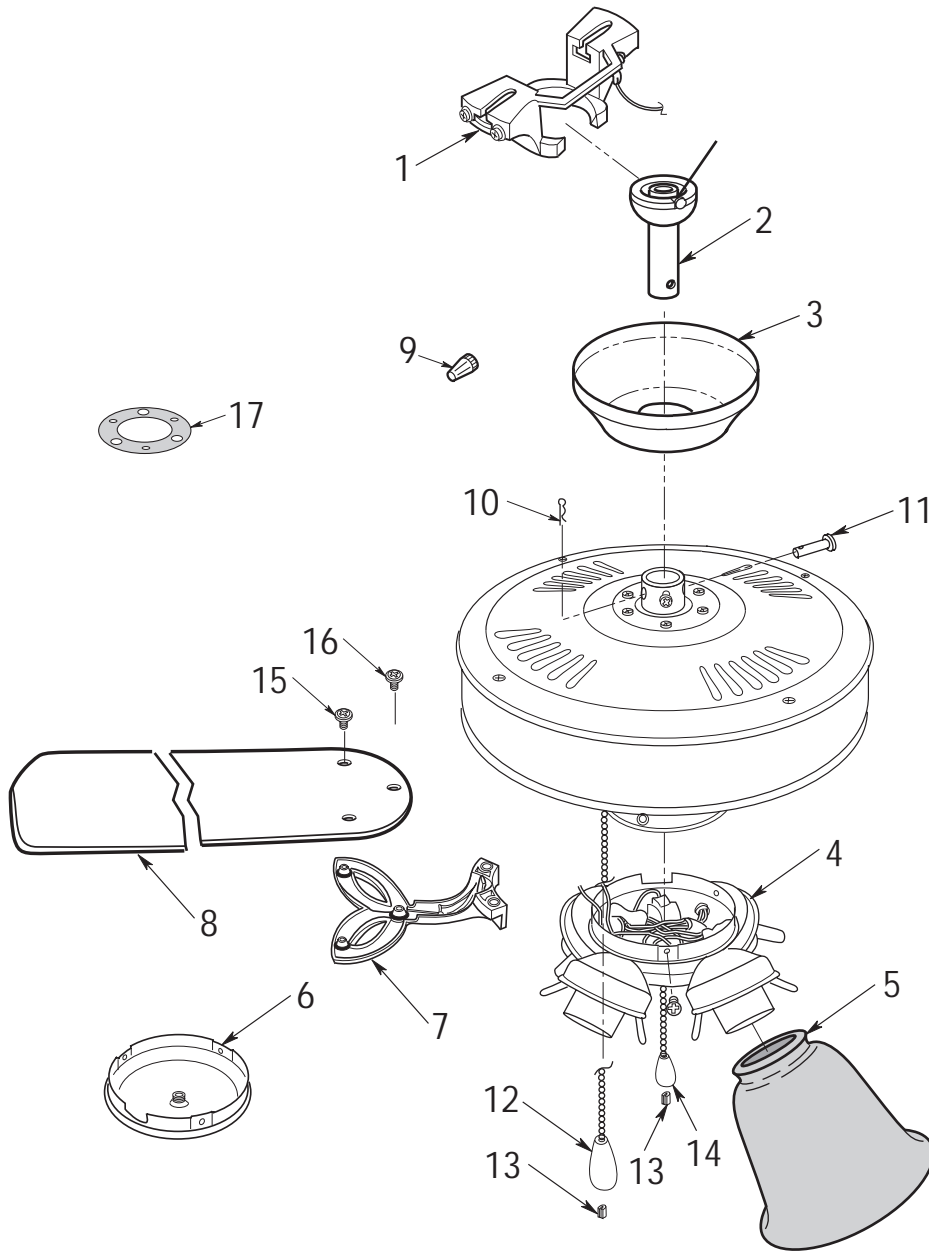
This warranty is only valid within the 50 states of the United States and the District of Columbia. No other written or oral warranties apply, and no employee, agent, dealer or other person is authorized to give any warranties on behalf of Emerson Electric Co.

REPAIR, REPLACEMENT OR A REFUND ARE THE EXCLUSIVE REMEDIES AVAILABLE UNDER THIS WARRANTY AND EMERSON IS NOT RESPONSIBLE FOR DAMAGES OF ANY KIND, INCLUDING INCIDENTAL AND CONSEQUENTIAL DAMAGES. Incidental damages include but are not limited to such damages as loss of time and loss of use. Consequential damages include but are not limited to the cost of repairing or replacing other property which was damaged if this product does not work properly.

How State Law Relates To The Warranty:

Some states do not allow the exclusion or limitation of incidental or consequential damages so the above exclusion or limitation may not apply to you. This warranty gives you specific legal rights, and you may also have other rights which vary from state to state.

Repair Parts



Before discarding packaging material, be certain all parts have been removed.

HOW TO ORDER REPAIR PARTS

WHEN ORDERING REPAIR PARTS, ALWAYS GIVE THE FOLLOWING INFORMATION:

- PART NUMBER
- PART DESCRIPTION
- NAME OF ITEM
- MODEL NUMBER

For repair parts, phone 1-800-654-3545.

Repair Parts Listing

Key No.	Description	Model No.						
		CF711AB00	CF711WW00	CF711AW00	CF711PB00	CF711BS00	CF711WB00	CF711CK00
*	Hanger Pack Assembly, Consisting of:	762231	762231-1	762231-2	762231-3	762231-4	762231-5	762231-6
1	Hanger Bracket	—	—	—	—	—	—	—
2	Hanger Ball/ Downrod Assembly	—	—	—	—	—	—	—
3	Ceiling Canopy	762218	762218-1	762218-2	762218-3	762218-4	762218-5	762218-6
4	Light Fixture	763191-AB	763191-WW	763191-AW	763191-PB	763191-BS	763191-WB	763191-CK
5	Glass Shade (1)	763189	763189	763189	763189	763189	763189	763189
6	Cover, Switch Housing	762220	762220-1	762220-2	762220-3	762220-4	762220-5	762220-6
7	Flange (Set of 5)	762215	762215-1	762215-2	762215-3	762215-4	762215-5	762215-6
8	Blade (Set of 5)	762228-2	762228	762228-1	762228-2	762228-3	762228-4	762228-5
*	Parts Bag Containing:	762229	762229-1	762229-2	762229-3	762229-4	762229	762229-1
9	Wire Connector (3)	—	—	—	—	—	—	—
10	Hairpin Clip	—	—	—	—	—	—	—
11	Clevis Pin	—	—	—	—	—	—	—
12	Pendant, Fan	—	—	—	—	—	—	—
13	Coupling (2)	—	—	—	—	—	—	—
14	Pendant, Light	—	—	—	—	—	—	—
15	Screw, M5 x 6 Washer Head (16)	—	—	—	—	—	—	—
16	Flange Screw, Phillips Round Head (1)	—	—	—	—	—	—	—
17	Rubber Gasket	—	—	—	—	—	—	—
—	Owner's Manual	BP7258-3	BP7258-3	BP7258-3	BP7258-3	BP7258-3	BP7258-3	BP7258-3

Key No.	Description	Model No.				
		CF710AB00	CF710WW00	CF710AW00	CF710PB00	CF710BS00
*	Hanger Pack Assembly, Consisting of:	762231	762231-1	762231-2	762231-3	762231-4
1	Hanger Bracket	—	—	—	—	—
2	Hanger Ball/ Downrod Assembly	—	—	—	—	—
3	Ceiling Canopy	762218	762218-1	762218-2	762218-3	762218-4
4	Light Fixture	763190-AB	763190-WW	763190-AW	763190-PB	763190-BS
5	Glass Shade (1)	763189	763189	763189	763189	763189
6	Cover, Switch Housing	762475	762475-1	762475-2	762475-3	762475-4
7	Flange (Set of 5)	762479	762479-1	762479-2	762479-3	762479-4
8	Blade (Set of 5)	762477-2	762477	762477-1	762477-2	762477-3
*	Parts Bag Containing:	762482	762482-1	762482-2	762482-3	762482-4
9	Wire Connector (3)	—	—	—	—	—
10	Hairpin Clip	—	—	—	—	—
11	Clevis Pin	—	—	—	—	—
12	Pendant, Fan	—	—	—	—	—
13	Coupling (2)	—	—	—	—	—
14	Pendant, Light	—	—	—	—	—
15	Screw, M5 x 6 Washer Head (16)	—	—	—	—	—
16	Flange Screw, Phillips Round Head (1)	—	—	—	—	—
17	Rubber Gasket	—	—	—	—	—
—	Owner's Manual	BP7258-3	BP7258-3	BP7258-3	BP7258-3	BP7258-3



EMERSON

Air Comfort Products

DIVISION OF EMERSON ELECTRIC CO.
8100 W. Florissant • St. Louis, MO 63136