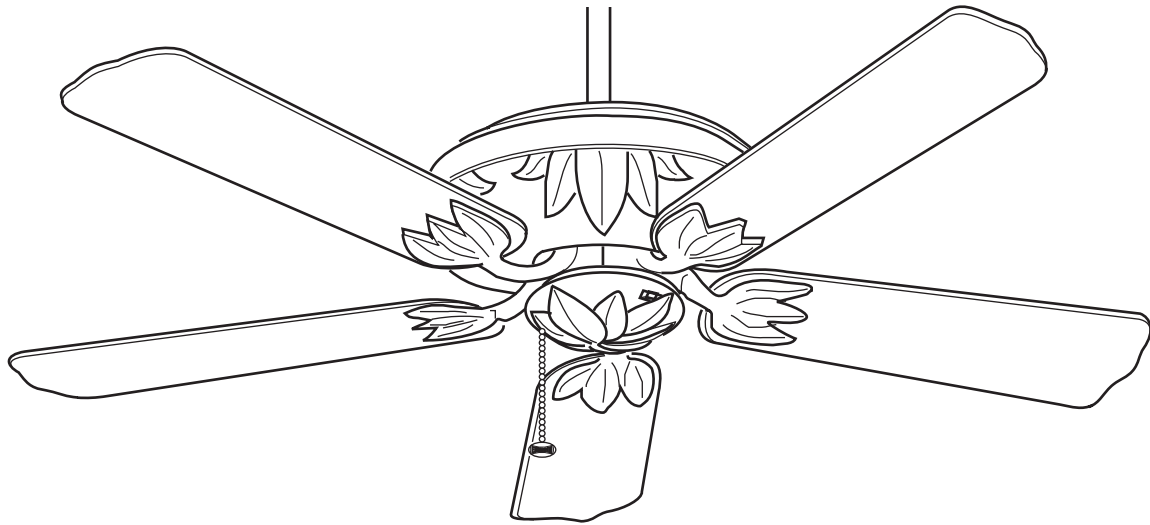


READ AND SAVE THESE INSTRUCTIONS



“Botanica” Series

Model No.

CF2500OB01

CF2500HTW01

CF2500S01

CF2500TG01

Net Weight: 20.0 Lbs.



Botanica Series Ceiling Fan Owner's Manual

 **WARNING**

WARNING: To avoid fire, shock, and serious personal injury, follow these instructions.

Safety Instructions

1. Read your owner's manual carefully and keep it for future reference.
2. Before servicing or cleaning unit, switch power off at service panel and lock service panel disconnecting means to prevent power from being switched on accidentally. When the service disconnecting means cannot be locked, securely fasten a warning device, such as a tag, to the service panel.
3. Be careful of the fan and blades when cleaning, painting, or working near the fan. Always turn off the power to the ceiling fan before servicing.
4. Do not put anything into the fan blades while they are turning.
5. Do not operate reversing switch until fan blades have come to a complete stop.

Additional Safety Instructions for Installation

1. To avoid possible shock, be sure electricity is turned off at the fuse box before wiring, and do not operate fan without blades.
2. All wiring must satisfy National and Local Electrical Codes. Use the National Electrical Code if Local Codes do not exist. The ceiling fan must be grounded as a precaution against possible electrical shock. Electrical installation should be made or approved by a licensed electrician.
3. The outlet box and joist must be securely mounted and capable of reliably supporting at least 50 pounds. Use only U.L. outlet boxes listed as acceptable for fan support, and use the mounting screws provided with the outlet box. Most outlet boxes commonly used for support of light fixtures are not acceptable for fan support and may need to be replaced. Consult a qualified electrician if in doubt.
4. The downrod furnished with the fan provides the minimum recommended floor to fan blade clearance for an 8 foot ceiling.
5. The fan must be mounted with the fan blades at least 7 feet from the floor to prevent accidental contact with the fan blades.
6. Follow the recommended instructions for the proper method of wiring your ceiling fan. If you do not know enough about electrical wiring, have your fan installed by a licensed electrician.

WARNING: To avoid fire, shock or injury, do not use an Emerson or any other brand of control not specifically approved for this fan.

WARNING: This product is designed to use only those parts supplied with this product and/or any accessories designated specifically for use with this product by Emerson. Substitution of parts or accessories not designated for use with this product by Emerson could result in personal injury or property damage.

WARNING: To Reduce the risk of personal injury, do not bend the blade flange when installing the blade flanges, balancing the blades or cleaning the fan. Do not insert foreign objects in between rotating fan blades.

This Manual Is Designed to Make it as Easy as Possible for You to Assemble, Install, Operate and Maintain Your Ceiling Fan

Tools Needed for Assembly

One Phillips head screwdriver One stepladder
 Three wire connectors (supplied.) One wire stripper

Installed Wire Length Wire Size A.W.G.

Up to 50 ft. 14
 50-100 ft. 12

MATERIALS

Wiring, outlet box and box connectors must be of type required by the local code. The minimum wire would be a 3-conductor (2-wire with ground) of size shown at right:

⚠ WARNING

Before assembling your ceiling fan, refer to section on proper method of wiring your fan. If you feel you do not have enough wiring knowledge or experience, have your fan installed by a licensed electrician.

Unpacking Instructions

For your convenience, check-off boxes are provided next to each step. As each step is completed, place a check mark in the box. This will insure that all steps have been completed and will be helpful in finding your place should you be interrupted.

⚠ WARNING

Do not install or use fan if any part is damaged or missing. Call Toll-Free:

1-800-654-3545

⚠ WARNING

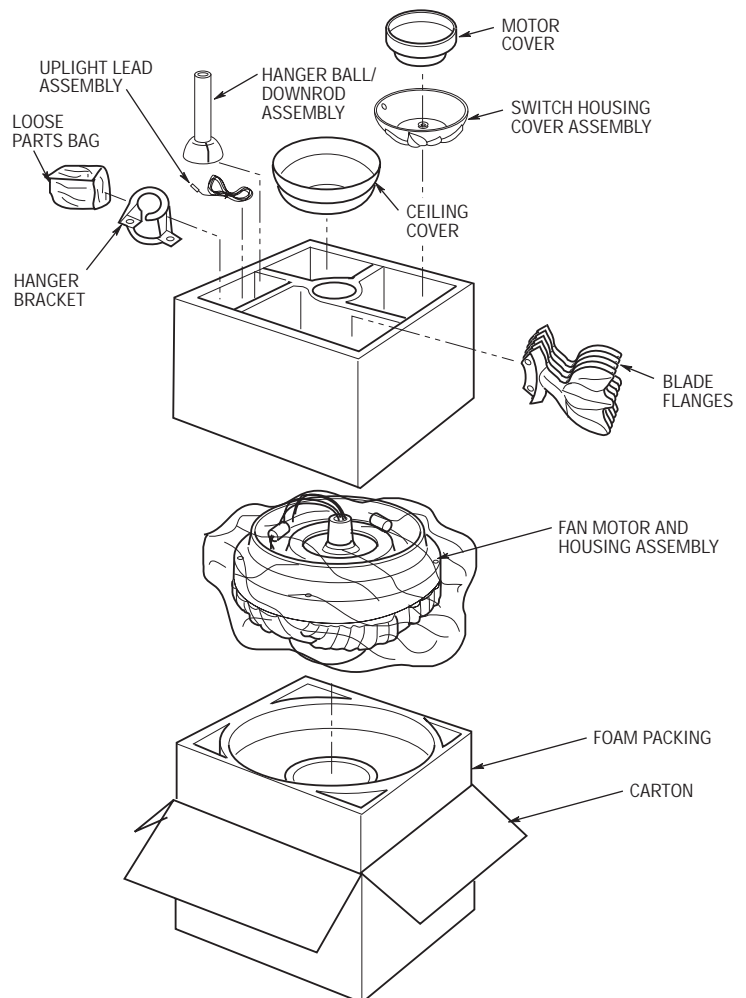
This product is designed to use only those parts supplied with this product and/or any accessories designated specifically for use with this product by Emerson. Substitution of parts or accessories not designated for use with this product by Emerson could result in personal injury or property damage.

NOTE: Place the parts from the loose parts bags in small containers to keep them from being lost. If any parts are missing, contact your local retailer or catalog outlet for replacement before proceeding.

NOTE: Fan blades are ordered separately and are packaged in separate carton.

1. Open styrofoam unit containing fan. Remove top half of styrofoam unit. Remove parts and check to see that you have received the following:

- a. Fan motor and housing assembly
- b. One motor cover
- c. One ceiling cover
- d. Five blade flanges
- e. One hanger ball/downrod assembly
- f. One hanger bracket
- g. One switch housing cover assembly
- h. One upright lead assembly
- i. One loose parts bag containing:
 1. One setscrew
 2. One 5/32" hex wrench
 3. One 3/16" hex wrench
 4. Eleven 10-32 x 5/8" oval head screws
 5. Two 1" threaded studs
 6. Two 1-1/4" threaded studs
 7. Four knurled knobs
 8. Three wire connectors
 9. Four 8-32 x 3/8" flat head screws
 10. One pull chain pendant and coupling
 11. One hairpin clip
 12. One clevis pin
 13. Four lockwashers
 14. Sixteen 10-24 x 3/8" pan head screws
 15. Sixteen flat washers



Electrical Requirements

Your new ceiling fan will require a grounded electrical supply line of 120 volts AC, 60 Hz, 15 amp circuit.

The outlet box must be securely anchored and capable of withstanding a load of at least 50 pounds.

If you feel that you do not have enough electrical wiring knowledge or experience, have your fan installed by a licensed electrician.

⚠ WARNING

To reduce the risk of fire, electric shock, or personal injury, mount fan to outlet box marked acceptable for fan support, and use screws supplied with outlet box. Most outlet boxes commonly used for support of light fixtures are not acceptable for fan support and may need to be replaced. Consult a qualified electrician if in doubt.

If your fan is to replace an existing ceiling light fixture, turn electricity off at the main fuse box at this time and remove the existing light fixture.

⚠ WARNING

Turning off wall switch is not sufficient. To avoid possible electrical shock, be sure electricity is turned off at the main fuse box before wiring. All wiring must be in accordance with National and Local codes and the ceiling fan must be properly grounded as a precaution against possible electrical shock.

⚠ WARNING

To avoid fire, or shock, follow all wiring instructions carefully. Any electrical work not described in these instructions should be done or approved by a licensed electrician.

The Emerson CF2500 Ceiling Fan is designed to be operated from a SR330 Remote Control, from a SW350 Wall Control with a SW375 Receiver, or from other fan/light controls. There are no controls supplied with the ceiling fan. If you are going to control your ceiling fan with a SR330 Remote Control or with a SW350 Wall Control, proceed to "SECTION A". If you are to control your ceiling fan in any other manner, proceed to "SECTION B".

Uplight

This fan is supplied with a built-in uplight in the motor housing. This uplight does not have a built-in switch to turn it ON or OFF. A separate switch control must be used to operate the uplight. This can be done with a separate ON/OFF wall switch or one of the many Emerson Fan/Light Controls, such as the SW375 Receiver, SR330 Remote Control or SW95L Controls. The yellow lead supplied with this fan is the power lead for the uplight.

SECTION A

Assembly Instructions for Installing the CF2500 Ceiling Fan with a SW375 Receiver and a SR330 Remote Control or with a SW350 Wall Control

IF THE CF2500 CEILING FAN IS BEING INSTALLED WITH ANY OTHER CONTROL METHOD, SKIP SECTION A AND GO TO SECTION B TO BEGIN ASSEMBLY INSTRUCTIONS.

1. Cut the white, blue, and black wires about 3" above the motor coupling (Figure 1). Strip insulation 1/2" from end of wires and install a wire connector on the black wire; this wire will not be used. Remove the wire connectors from the red and brown wires.

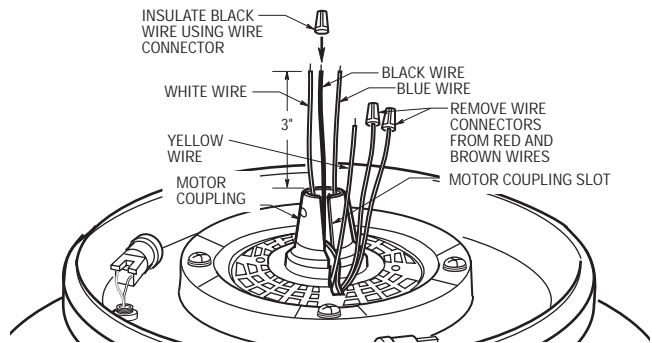


Figure 1

2. Loosen the setscrew in the hanger ball, slide the ball down the downrod, and remove the clevis pin. Then slide the hanger ball off the downrod (Figure 2). Retain all parts for reinstallation in step 11.

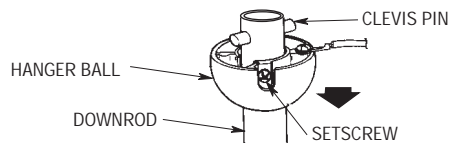
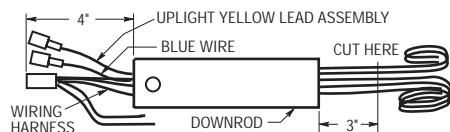


Figure 2

3. Push the wiring harness connector and the connector on the blue wire (both supplied with the SW375 Receiver and the SW350 Wall Control), and the connector on the uplight yellow lead assembly (supplied with the fan) through the downrod until they all extend about 4" out of the downrod (Figure 3).

4. Cut all wires approximately 3" from the end of the downrod. Strip insulation 1/2" from end of wires.



4 Figure 3

5. Using wiring connectors (supplied), connect the white, red, blue, brown, and yellow wires from the downrod to the white, red, blue, brown and yellow wires of the ceiling fan (Figure 4). Wires must be connected color-to-color.

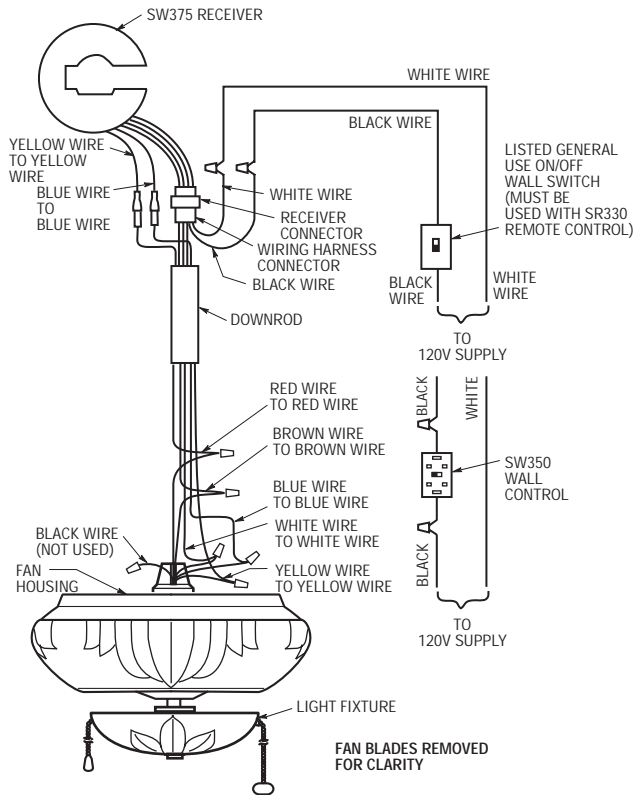



Figure 4

6. Fold all wires from the downrod into the slot in the motor coupling, slide the downrod down the wires and seat the downrod in the motor coupling. All wires and wire connectors should be placed through the motor coupling slot beneath the downrod (See Figure 5).
7. Align the clevis pin holes in the downrod with the holes in the motor coupling. Install the clevis pin and secure with the hairpin clip. The clevis pin must go through the holes in the motor coupling and the holes in the downrod (Figure 5). Push the straight leg of the hairpin clip through the hole near the end of the clevis pin until the curved portion of the hairpin clip snaps around the clevis pin. The hairpin clip must be properly installed to prevent the clevis pin from working loose.

 WARNING
<p>It is critical that the clevis pin in the motor coupling is properly installed and the setscrew securely tightened. Failure to verify that the pin and setscrew are properly installed could result in the fan falling.</p>

8. Install the setscrew (supplied in the loose parts bag) in the motor coupling and tighten using the 5/32" setscrew wrench (supplied) (Figure 5).

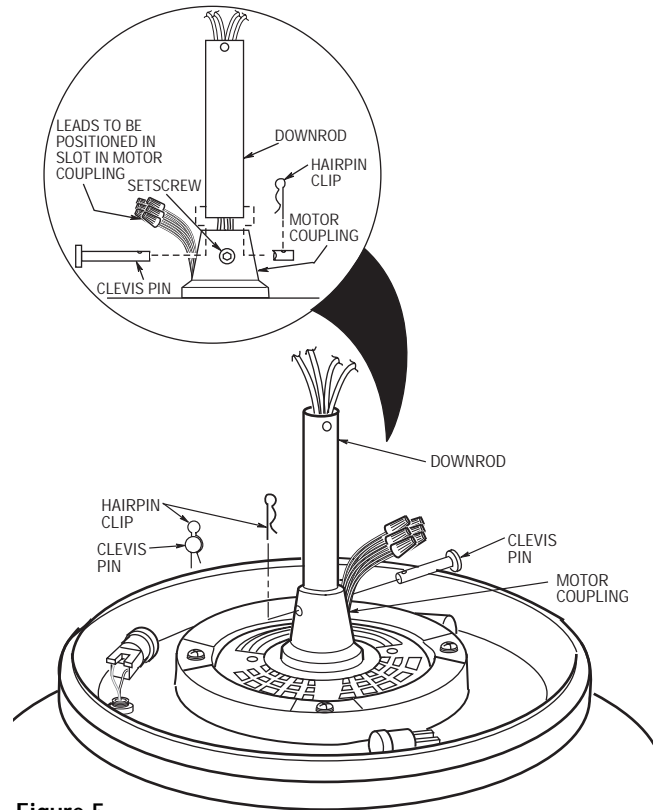


Figure 5

NOTE: Make sure the unused black motor lead is capped with a wire connector. Make sure all wire connectors are completely inside motor coupling cover and not pinched between the motor coupling cover and motor.

9. Screw two 1" threaded studs (supplied) into the motor (Figure 6). Leave approximately 7/8" of the stud extending above the motor. Slide the motor cover over the downrod and rotate the cover until the threaded studs protrude; install two knurled knobs (supplied) to secure the cover.

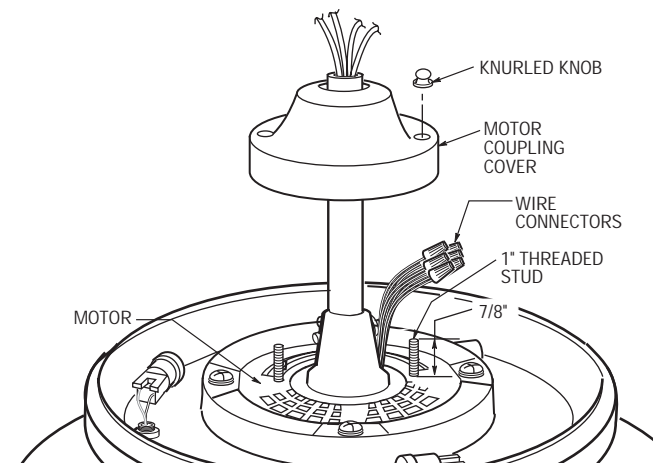


Figure 6

10. Position the ceiling cover over the downrod. Be sure the cover is oriented correctly, with the large opening at the top (Figure 7).

▲ WARNING

It is critical that the pin in the hanger ball is properly installed and the setscrew securely tightened. Failure to verify that the pin and setscrew are properly installed could result in the fan falling.

- 11. Reinstall the hanger ball on the downrod as follows. Route the motor leads through the hanger ball and slide the hanger ball over the downrod (Figure 7). Install the pin through the holes at the top of the downrod and slide the hanger ball up the downrod, aligning the ball so the pin is captured in the groove in the top of the hanger ball. Pull the hanger ball up tight against the pin and securely tighten the setscrew in the hanger ball. A loose setscrew could create fan wobble.

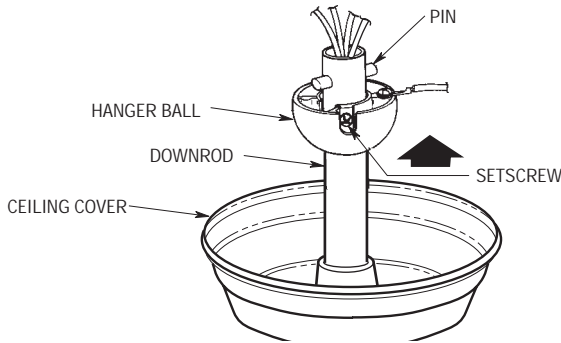


Figure 7

- 12. Use three 10-24 x 3/8" pan head screws and flat washers (supplied) to secure flange to blade (blades ordered separately) (Figure 8). Repeat for the remaining four blades.

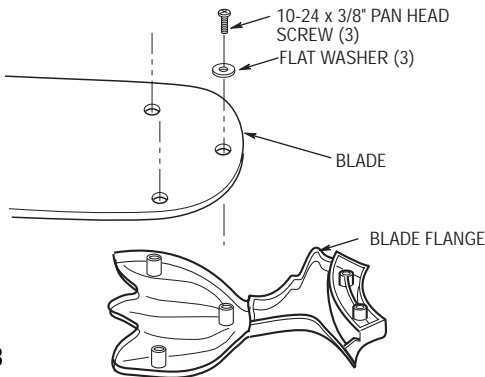


Figure 8

- 13. Using the 5/32" hex wrench (supplied), loosen the setscrew in the collar and unscrew (counterclockwise) the switch housing assembly from the motor shaft (Figure 9). Do NOT remove the flat washer from the motor shaft.

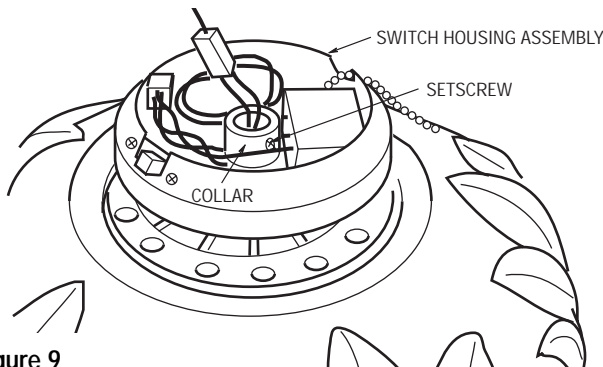


Figure 9

- 14. Use the 10 round recessed holes in the motor hub marked with "5" and install the five blade assemblies in accordance with Step 15.
- 15. Loosely attach one blade assembly to the motor hub using two 10-32 x 5/8" oval head screws (supplied) (Figure 10). Make sure the screws are NOT tightened at this time. Repeat this procedure for the four remaining blade assemblies.
- 16. The blade flanges have an interlocking feature that must be fully engaged before tightening the screws. Make sure all the flanges are properly engaged and then tighten the flange screws in a clockwise sequence. If one of the flanges does not seat properly on the motor hub, loosen the adjacent flange screws, re-engage and reseat the flanges, then tighten the screws again.

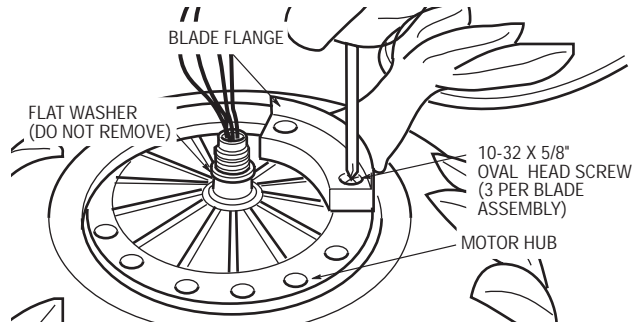


Figure 10

▲ WARNING

To reduce the risk of personal injury, do not bend the blade flanges when installing the flanges, balancing the blades, or cleaning the fan.

- 17. Reinstall the switch housing assembly by passing the wires from the motor shaft through the collar, screw the assembly onto the motor shaft (Figure 11). Tighten the setscrew using the 5/32" hex wrench (supplied). Engage the connector from the switch housing to the motor connector. The two connectors are keyed and must be mated correctly before they can be engaged.

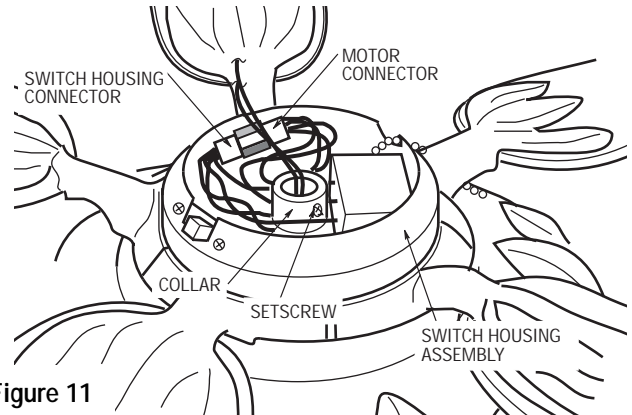


Figure 11

▲ WARNING

The fan must be hung with at least 7' of clearance from floor to blades (Figure 12).

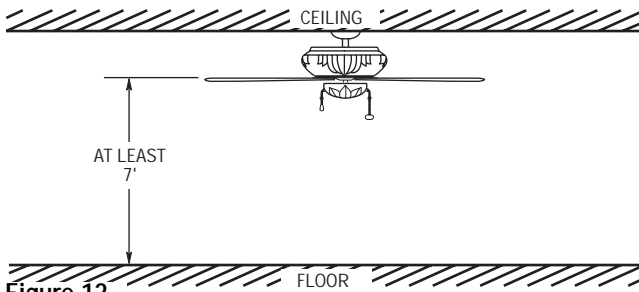


Figure 12

▲ WARNING

The outlet box must be securely anchored and capable of withstanding a load of at least 50 lbs.

- 18. Securely attach the hanger bracket to the outlet box using the two screws supplied with the outlet box (Figure 13).

▲ WARNING

To reduce the risk of fire, electric shock, or personal injury, mount fan to outlet box marked acceptable for fan support, and use screws supplied with outlet box. Most outlet boxes commonly used for support of light fixtures are not acceptable for fan support and may need to be replaced. Consult a qualified electrician if in doubt.

▲ WARNING

Hanger bracket must seat firmly against outlet box. If the outlet box is recessed, remove wall board until bracket contacts box. If bracket and/or outlet box are not securely attached, the fan could wobble or fall.

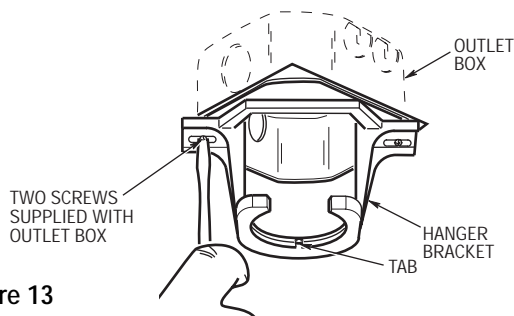


Figure 13

- 19. Carefully lift the fan and seat the hanger ball/downrod assembly on the hanger bracket that was just attached to the outlet box (Figure 14). Be sure the groove in the ball is lined up with tab on the hanger bracket (Figure 13).

▲ WARNING

Failure to seat tab in groove could cause damage to electrical wires and possible shock or fire hazard.

NOTE: CEILING COVER, SUPPLY WIRES AND FAN WIRES OMITTED FOR CLARITY.

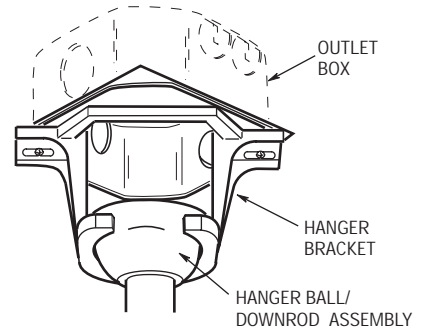


Figure 14

▲ WARNING

To avoid possible fire or shock, do not pinch wires between the hanger ball/downrod assembly and the hanger bracket.

- 20. Position the receiver (supplied with the SW330 Remote Control or SW350 Wall Control) by passing the opening in the receiver over the downrod (Figure 15).

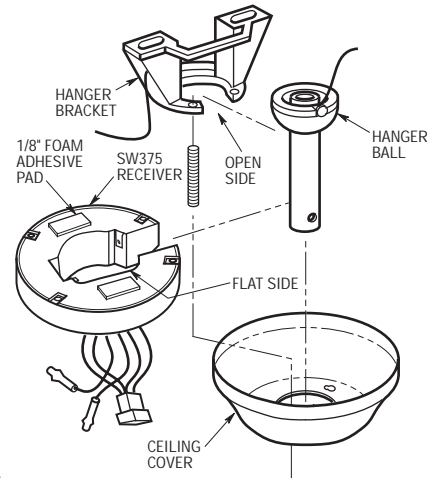


Figure 15

▲ WARNING

To avoid possible electrical shock, be sure electricity is turned off at the main fuse box before wiring. NOTE: If you are not sure if the outlet box is grounded, contact a licensed electrician for advice, as it must be grounded for safe operation.

- 21. Connect the black wire from the wiring harness to the black (hot) supply wire (Figure 4). Connect the white wire from the wiring harness to the white (neutral) supply wiring. Connect the green ground wires from the hanger bracket and the hanger ball to the supply ground wire. Use wire connectors supplied with your ceiling fan.

▲ WARNING

Check to see that all connections are tight, including ground, and that no bare wire is visible at the wire connectors, except for the ground wire. Do not operate fan until blades are in place. Noise and fan damage could result.

- 22. Securely connect the wiring harness connector to the receiver connector, and connect the blue and yellow wires to the blue and yellow wires from the receiver (Figure 4).
- 23. Turn the receiver so that the flat side aligns with the open side of the hanger bracket (Figure 15). Fold and position the wires into the space above the hanger ball and into the outlet box.
- 24. Feed the wires and connectors around the outside of the receiver, through the open side of the hanger bracket, and into the outlet box. Slide the receiver up and over the hanger bracket. Remove the backing on the foam adhesive pads and press the receiver against the ceiling.
- 25. To complete the ceiling fan assembly, skip to the "FINAL ASSEMBLY" section of this Owner's Manual.

- 7. Route the white, blue, and black motor leads through the downrod. Fold the yellow, red, and brown wires into the slot in the motor coupling, slide the downrod down the wires and seat the downrod in the motor coupling (Figure 18).
- 8. Align the clevis pin holes in the downrod with the holes in the motor coupling. Install the clevis pin and secure with the hairpin clip (Figure 18). The clevis pin must go through the holes in the motor coupling and the holes in the downrod. Push the straight leg of the hairpin clip through the hole near the end of the clevis pin until the curved portion of the hairpin clip snaps around the clevis pin. The hairpin clip must be properly installed to prevent the clevis pin from working loose. Pull on the hanger ball to make sure the clevis pin is properly installed.

SECTION B

Assembly Instructions for Installing the CF2500 Ceiling Fan with Any Other Control Method (excluding the SW375 Receiver, SR330 Remote Control or the SW350 Wall Control)

- 1. Position the fan motor and housing assembly in the lower foam packing so that the top of the motor is facing you.
- 2. Separate, untwist and unkink the four motor leads.
- 3. Obtain the hanger ball/downrod assembly and remove the hanger ball by loosening the setscrew in the hanger ball until the ball falls freely down the downrod (Figure 16). Remove the pin from the downrod, then remove the hanger ball. Retain the pin and hanger ball for reinstallation in step 9.

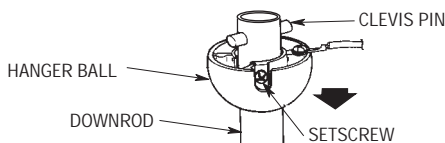


Figure 16

- 4. Push the upright yellow lead assembly connector through the downrod (Figure 17) until it extends about 4".
- 5. Cut the yellow lead approximately 3" from the end of the pipe. Strip insulation 1/2" from end of the wires.
- 6. Using the wire connector supplied, connect the upright yellow lead assembly to the yellow lead from the fan motor and housing assembly (Figure 18).

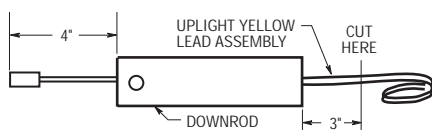


Figure 17

⚠ WARNING

It is critical that the clevis pin in the motor coupling is properly installed and the setscrew securely tightened. Failure to verify that the pin and setscrew are properly installed could result in the fan falling.

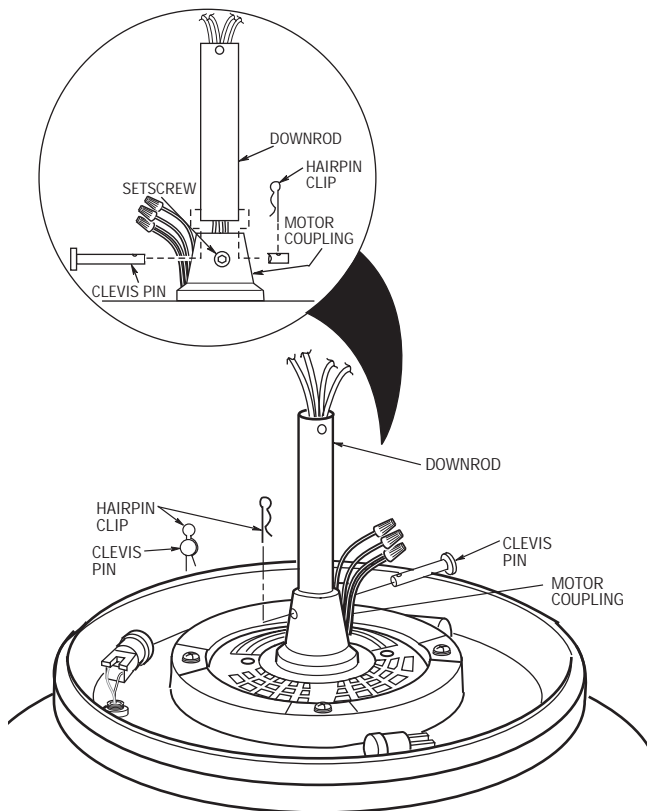


Figure 18

- 9. Install the setscrew (supplied in loose parts bag) in the motor coupling and tighten using the 5/32" setscrew wrench (supplied) (Figure 19).

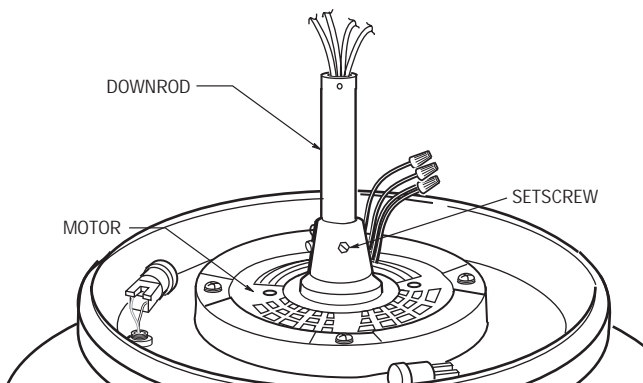


Figure 19

- 10. Screw two 1" threaded studs (provided) into the motor (Figure 20). Leave approximately 7/8" of the stud extending above the motor. Slide the motor cover over the downrod and rotate the cover until the threaded studs protrude; install two knurled knobs (supplied) to secure the cover.

NOTE: Make sure the red and brown leads are separately capped with wire connectors. Make sure red, brown, and yellow wire connectors are completely inside motor coupling cover and not pinched between the motor coupling cover and motor.

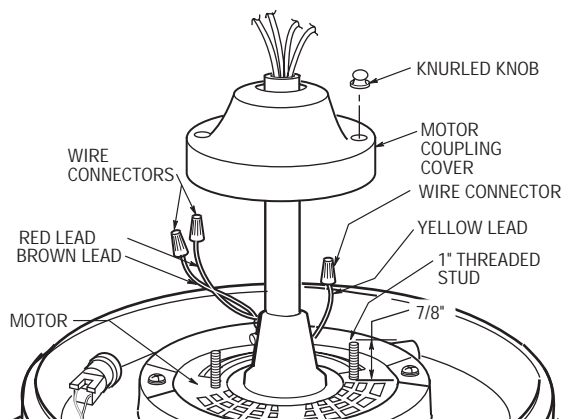


Figure 20

- 11. Position the ceiling cover over the downrod. Be sure the cover is oriented correctly, with the large opening at the top (Figure 21).
- 12. Reinstall the hanger ball on the downrod as follows. Route the motor leads through the hanger ball and slide the hanger ball over the downrod (Figure 21). Install the pin through the holes at the top of the downrod and slide the hanger ball up the downrod, aligning the ball so the pin is captured in the groove in the top of the hanger ball. Pull the hanger ball up tight against the pin and securely tighten the setscrew in the hanger ball. A loose setscrew could create fan wobble.
- 13. The blue, black, yellow and white leads exiting the downrod are 80-inches long. Before installing fan, measure up approximately 6 to 9-inches above the ball/downrod assembly. Cut off excess leads and strip back insulation 1/2-inch from end of leads.

NOTE: If you are installing your fan with a SR330 Remote Control or SW350 Wall Control, Do Not Cut Terminal Off of the Yellow Lead. (See Section A.)

▲ WARNING

It is critical that the pin in the hanger ball is properly installed and the setscrew securely tightened. Failure to verify that the pin and setscrew are properly installed could result in the fan falling.

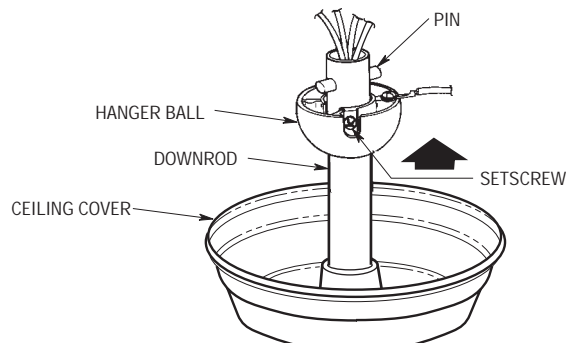


Figure 21

- 14. Use three 10-24 x 3/8" pan head screws and flat washers (supplied) to secure flange to blade (blades ordered separately) (Figure 22). Repeat for the remaining four blades.

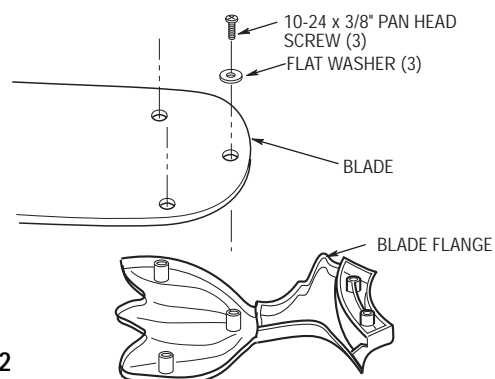


Figure 22

- 15. Using the 5/32" hex wrench (supplied), loosen the setscrew in the collar and unscrew (counterclockwise) the switch housing assembly from the motor shaft (Figure 23). Do NOT remove the flat washer from the motor shaft.

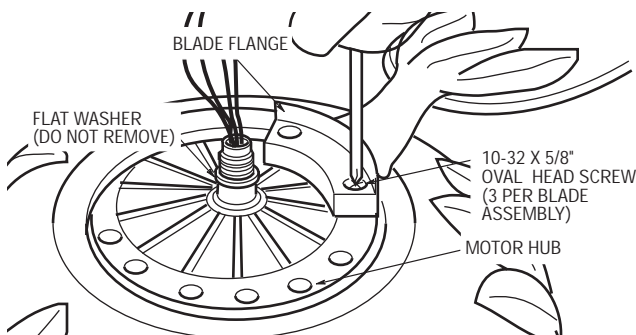


Figure 23

- 16. Use the 10 round recessed holes in the motor hub marked with "5" and install the five blade assemblies in accordance with Step 17.
- 17. Loosely attach one blade assembly to the motor hub using two 10-32 x 5/8" oval head screws (supplied) (Figure 23). Make sure the screws are NOT tightened at this time. Repeat this procedure for the four remaining blade assemblies.

- 18. The blade flanges have an interlocking feature that must be fully engaged before tightening the screws. Make sure all the flanges are properly engaged and then tighten the flange screws in a clockwise sequence. If one of the flanges does not seat properly on the motor hub, loosen the adjacent flange screws, re-engage and reseat the flanges, then tighten the screws again.

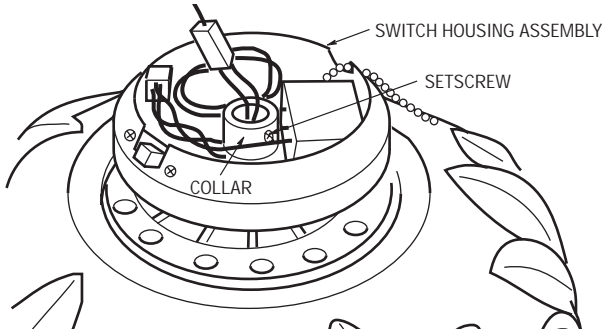


Figure 24

WARNING

To reduce the risk of personal injury, do not bend the blade flanges when installing the flanges, balancing the blades, or cleaning the fan.

- 19. Reinstall the switch housing assembly by passing the wires from the motor shaft through the collar, screw the assembly onto the motor shaft (Figure 24). Tighten the setscrew using the 5/32" hex wrench (supplied). Engage the connector from the switch housing to the motor connector. The two connectors are keyed and must be mated correctly before they can be engaged (Figure 25).

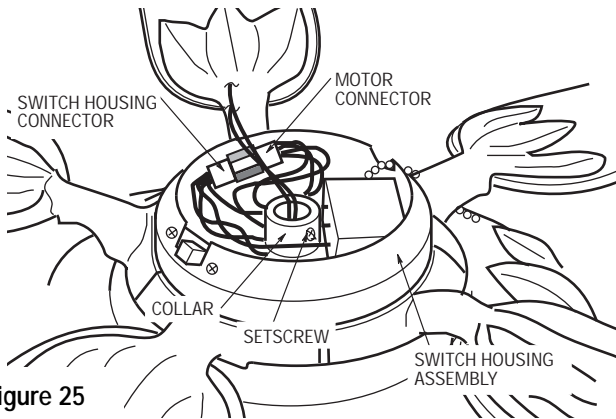


Figure 25

WARNING

The fan must be hung with at least 7' of clearance from floor to blades (Figure 26).

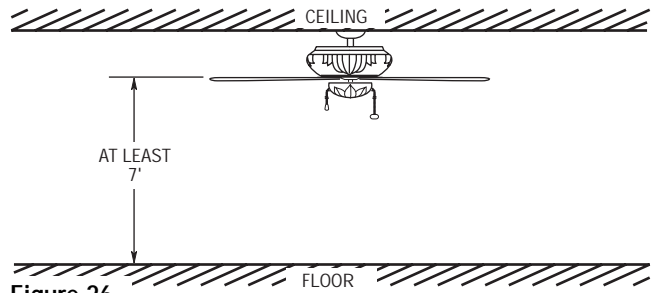


Figure 26

WARNING

The outlet box must be securely anchored and capable of withstanding a load of at least 50 lbs.

- 20. Securely attach the hanger bracket to the outlet box using the two screws supplied with the outlet box (Figure 27).

WARNING

To reduce the risk of fire, electric shock, or personal injury, mount fan to outlet box marked acceptable for fan support, and use screws supplied with outlet box. Most outlet boxes commonly used for support of light fixtures are not acceptable for fan support and may need to be replaced. Consult a qualified electrician if in doubt.

WARNING

Hanger bracket must seat firmly against outlet box. If the outlet box is recessed, remove wall board until bracket contacts box. If bracket and/or outlet box are not securely attached, the fan could wobble or fall.

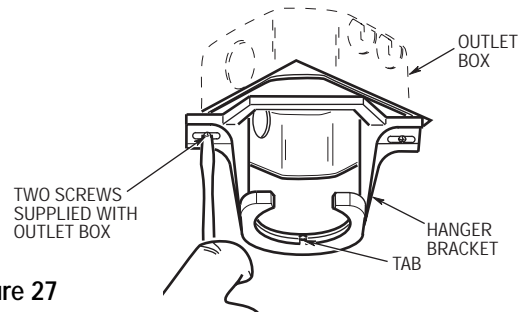


Figure 27

- 21. Carefully lift the fan and seat the hanger ball/downrod assembly on the hanger bracket that was just attached to the outlet box (Figure 28). Be sure the groove in the ball is lined up with tab on the hanger bracket (Figure 27).

WARNING

Failure to seat tab in groove could cause damage to electrical wires and possible shock or fire hazard.

NOTE: CEILING COVER, SUPPLY WIRES AND FAN WIRES OMITTED FOR CLARITY.

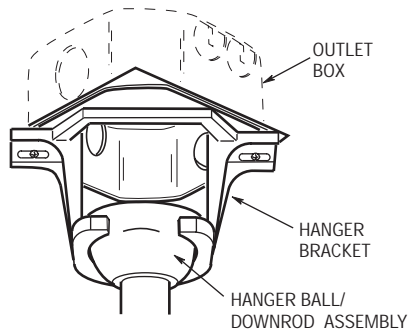


Figure 28

▲ WARNING

To avoid possible fire or shock, do not pinch wires between the hanger ball/downrod assembly and the hanger bracket.

▲ WARNING

To avoid possible electrical shock, be sure electricity is turned off at the main fuse box before wiring.
NOTE: If you are not sure if the outlet box is grounded, contact a licensed electrician for advice, as it must be grounded for safe operation.

NOTE: If you are installing a SR330 Remote Control or a SW350 Wall Control to operate the fan and light, refer to the installation instructions and wiring diagrams shown in Section A of this Owner's Manual.

22. For a wall control installation you will need a three-wire (with ground) conductor cable between the ceiling and wall outlet boxes. This will allow you to control the fan separately from the lights. Figure 29 is a basic wiring diagram that will control the uplight and downlight on a switch and the fan on a separate control. Refer to the installation instructions and wiring diagrams supplied with the Emerson Fan Control Owner's Manual.
- Connect the green grounding lead from the hanger ball and the green grounding lead from the hanger bracket to the grounding conductor of supply (this may be a bare wire or a wire with green colored insulation). Securely connect wires with wire connector supplied.
 - Securely connect the white wire from the downrod to the supply white (neutral) wire using wire connector supplied. Securely connect the black wire from the downrod to the supply black (hot) wire using wire connector supplied.
 - Cut terminal off of the yellow lead wire and strip insulation 1/2" from end of wire.
 - Securely connect the blue wire and yellow wire from the downrod to the supply red (hot) wire using wire connector (supplied). After connections have been made, turn leads upward and carefully push leads into the outlet box, with the white and green leads on one side of the outlet box and the black, blue and yellow leads on the other side of the outlet box.

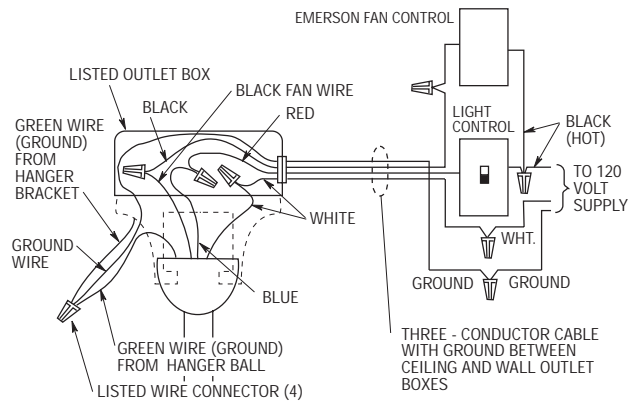


Figure 29

23. To complete the ceiling fan assembly, proceed to the "FINAL ASSEMBLY" section.

▲ WARNING

Check to see that all connections are tight, including ground, and that no bare wire is visible at the wire connectors, except for the ground wire. Do not operate fan until blades are in place. Noise and fan damage could result.

FINAL ASSEMBLY

- Screw the two 1-1/4" threaded studs (provided) into the tapped holes in the hanger bracket.
- Lift the ceiling cover up to the threaded studs and turn until studs protrude through the holes in the ceiling cover (Figure 30).
- Secure the ceiling cover in place by sliding lockwashers over the threaded studs and installing the two knurled knobs (supplied). (Figure 30.) Tighten the knurled knobs securely until the ceiling cover fits snugly against the ceiling and the hole in the ceiling cover is clear of the pipe.

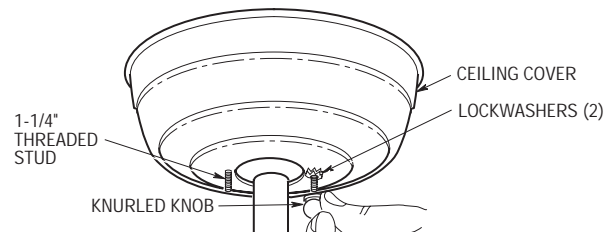


Figure 30

▲ WARNING

To avoid possible fire or shock, make sure that the electrical wires are completely inside the outlet box and not pinched between the ceiling cover and the ceiling.

- Screw in three 40-watt (maximum) candelabra base lamps into the upright sockets on top of the fan housing assembly.

- 5. Slip the pull chain through the bushing in the switch housing cover assembly (Figure 31). Position the cover assembly on the switch housing assembly with the reversing switch lever positioned in the slot provided. Secure the cover assembly to the switch housing assembly using four 8-32 x 3/8" flat head screws (provided).
- 6. Slip the switch pull chain through the hole in the pendant (supplied), then secure the pendant by snapping the coupling (supplied) onto the end of the chain.

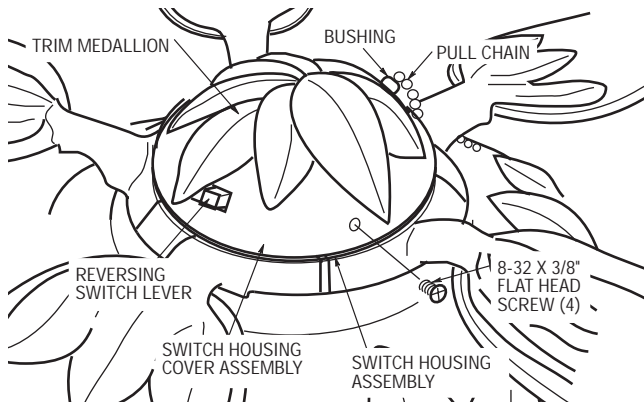


Figure 31

Attaching Light Kit

To install an Emerson accessory light kit, remove the four screws securing the switch housing cover assembly to the switch housing. Remove the trim medallion from the bottom of the switch housing cover assembly with the lockwasher and nut supplied with the light kit (Figure 33). Install the light kit in accordance with the Emerson light kit Owner's Manual.

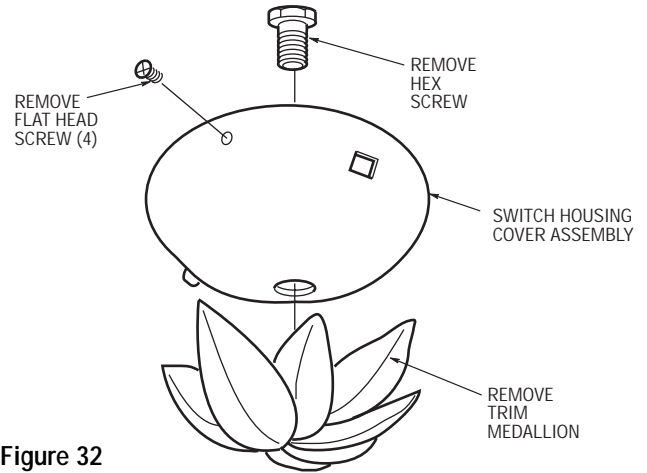
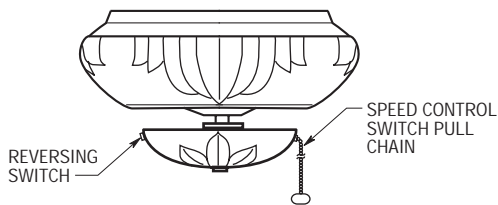


Figure 32

Using Your Ceiling Fan

- 1. Restore electrical power to the outlet box by turning the electricity on at the main fuse box.
- 2. When controlled by a wall switch check the operation of the fan by gently pulling on the 4-position speed control pull chain switch. The operating sequence is as follows:



THREE-SPEED

- 1st Pull — HIGH
- 2nd Pull — Medium
- 3rd Pull — Low
- 4th Pull — OFF

- 3. When operated by an Emerson Remote Control, check operation of fan and light in accordance with the Remote Control Owner's Manual.
- 4. If airflow is desired in opposite direction, turn your fan off and wait for the blades to stop turning. Then slide the reversing switch to the opposite position and turn fan on again. The fan blades will turn in the opposite direction and reverse the airflow.

⚠ WARNING

To avoid possible electrical shock, be sure electricity is turned off at the main fuse box before wiring.

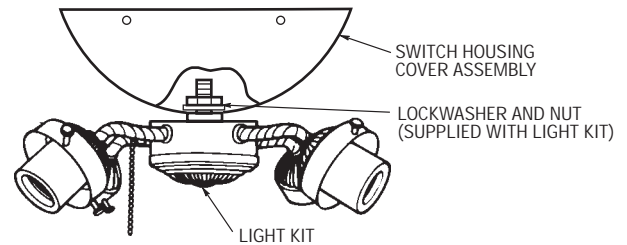


Figure 33

⚠ WARNING: FOR YOUR OWN SAFETY TURN OFF POWER AT FUSE BOX OR CIRCUIT BREAKER BEFORE TROUBLE SHOOTING YOUR FAN.

Trouble Shooting

TROUBLE	PROBABLE CAUSE	SUGGESTED REMEDY
1. Fan will not start.	1. Fuse or circuit breaker blown. 2. Loose power line connections to the fan, or loose switch wire connections in the switch housing.	1. Check main and branch circuit fuses or circuit breakers. ⚠ WARNING: Make sure main power is turned off. 2. Check line wire connections to fan and switch wire connections in the switch housing.
2. Fan sounds noisy.	1. Blades not attached to fan. 2. Loose screws in motor housing. 3. Screws securing fan blade flanges to motor hub are loose. 4. Wire connectors inside switch housing rattling. 5. Screws holding blades to flanges are loose.	1. Attach blades to fan before operating. 2. Check to make sure all screws in motor housing are snug (not over-tight). 3. Check to make sure the screws which attach the fan flanges to the motor hub are tight. ⚠ WARNING: Make sure main power is turned off. 4. Check to make sure wire connectors in switch housing are not rattling against each other or against the interior wall of the switch housing. 5. Tighten screws securely.
3. Fan wobbles excessively.	1. Setscrew in motor coupling is loose. 2. Setscrew in hanger ball/downrod assembly is loose. 3. Screws securing fan blade flanges to motor hub are loose. 4. Fan blade flanges not seated properly. 5. Hanger bracket and/or ceiling outlet box is not securely fastened. 6. Fan blades out of balance.	1. Raise motor cover and tighten setscrew securely. 2. Tighten the setscrew in the hanger ball/downrod assembly. 3. Check to be sure screws which attach the fan blade flanges to the motor hub are tight. 4. Check to be sure the fan blade flanges seat firmly and uniformly to the surface of the motor hub. If flanges are seated incorrectly, loosen the flange screws and retighten according to step 15 or 17 in Sections "A" or "B" "Assembly Instructions". 5. Tighten the hanger bracket screws to the outlet box, and/or secure outlet box. 6. Interchanging an adjacent (side-by-side) blade pair can redistribute the weight and result in smoother operation. Or use supplied balancing kit to balance blades.

Maintenance

IMPORTANT CARE INSTRUCTIONS for your Ceiling Fan

Periodic cleaning of your new ceiling fan is the only maintenance that is needed.

When cleaning, use only a soft brush or lint free cloth to avoid scratching the finish.

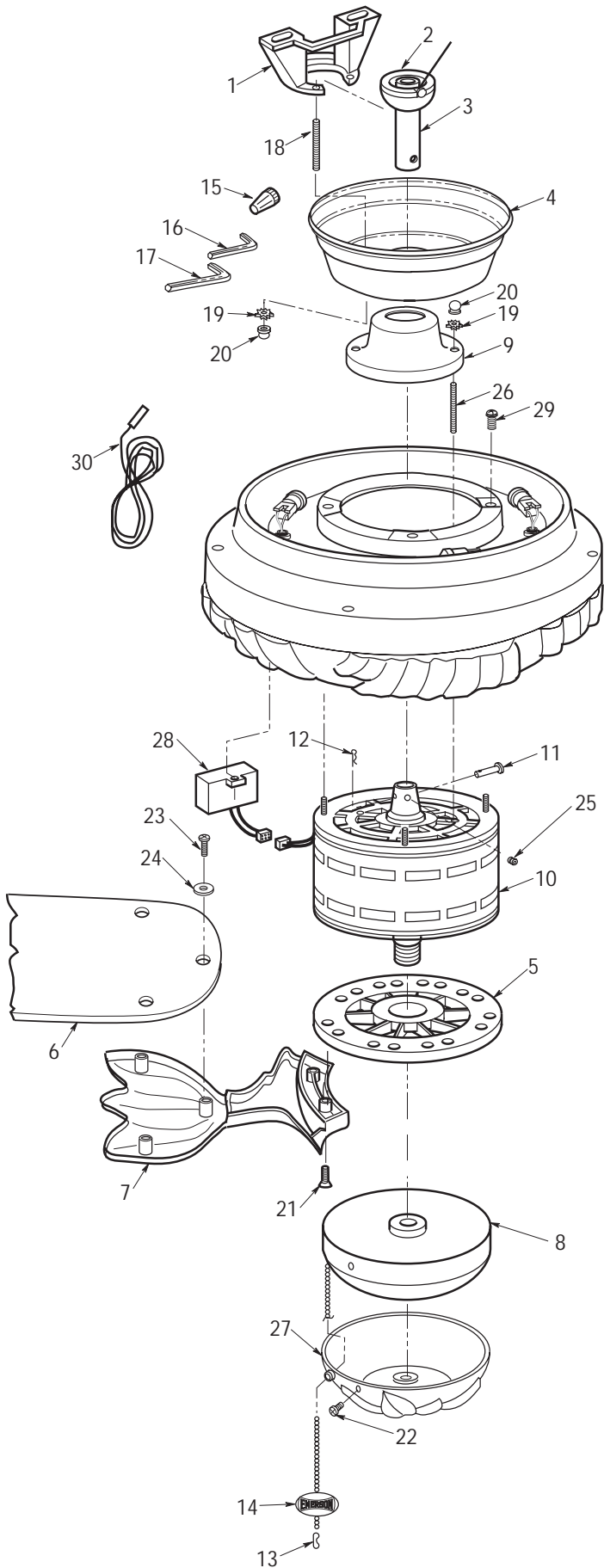
Abrasive cleaning agents are not required and should be avoided to prevent damage to finish.



WARNING

Do not use water when cleaning your ceiling fan. It could damage the motor or the blades and create the possibility of an electrical shock.

Repair Parts



⚠ WARNING

The use of any other control not specifically approved for this fan could result in fire, shock and personal injury.

⚠ WARNING

This product is designed to use only those parts supplied with this product and/or any accessories designated specifically for use with this product by Emerson. Substitution of parts or accessories not designated for use with this product by Emerson could result in personal injury or property damage.

ACCESSORIES

1. Ceiling Fan Light Kits (see store or catalog).
2. Ceiling Fan/Light Controls (see store or catalog).
3. Downrod Extension Kits (see store or catalog).

Before discarding packaging material, be certain all parts have been removed.

HOW TO ORDER REPAIR PARTS

WHEN ORDERING REPAIR PARTS, ALWAYS GIVE THE FOLLOWING INFORMATION:

- NAME OF ITEM
- MODEL NUMBER
- THE PART NUMBER
- THE PART DESCRIPTION

For repair parts, phone 1-800-654-3545.

Repair Parts List

Ref. No.	Description	Botanica Models			
		CF2500B01	CF2500S01	CF2500HTW01	CF2500TG01
	Hanger Pack, containing:	761655-9	761655-16	761655-12	761655-13
1	Bracket, Hanger (1)	—	—	—	—
2	Hanger Ball Assembly (1)	—	—	—	—
3	Downrod (1)	—	—	—	—
4	Cover, Ceiling	761620-9	761620-24	761620-12	761620-23
5	Hub, Rubber	760601	760601	760601	760601
6	Blade Assembly (Full set for one fan)	*	*	*	*
7	Flange Set (Full set for one fan)	761885	761885-1	761885-2	761885-3
8	Switch Housing Assembly	761902	761902	761902-1	761902
9	Cover, Motor	761621-9	761621-16	761621-12	761621-13
10	Motor	762304	762304	762304	762304
	Parts Bag, containing:	761907-1	761907-1	761907	761907-1
11	Pin, Clevis (1)	—	—	—	—
12	Clip, Hairpin (1)	—	—	—	—
13	Coupling (1)	—	—	—	—
14	Pendant (1)	—	—	—	—
15	Wire Connector (3)	—	—	—	—
16	Wrench, Hex, 3/16"	—	—	—	—
17	Wrench, Hex, 5/32"	—	—	—	—
18	Stud, Threaded 1-1/4" (2)	—	—	—	—
19	Lockwasher (4)	—	—	—	—
20	Knob, Knurled (4)	—	—	—	—
21	Screw, 10-32 x 5/8" (11)	—	—	—	—
22	Screw, Flathead, 8-32 x 3/8" (4)	—	—	—	—
23	Screw, 10-24 x 3/8" (16)	—	—	—	—
24	Washer, Flat (16)	—	—	—	—
25	Setscrew, 7/16-18 x 1/4" (1)	—	—	—	—
26	Stud, Threaded, 1" (2)	—	—	—	—
27	Cover, Switch Housing Assembly	761889	761889-1	761889-2	761889-3
28	Aux. Capacitor	761453	761453	761453	761453
29	Screw, #8 Washerhead, 8-32 x 3/8" (4)	—	—	—	—
30	Uplight Lead Assembly	761790	761790	761790	761790
—	Owner's Manual	BP7220-3	BP7220-3	BP7220-3	BP7220-3

*Contact your nearest authorized Emerson fan dealer for replacement B52 blade accessories.

LIMITED WARRANTY

What The Warranty Covers:

This warranty covers the motor and the other components and accessories of your Emerson ceiling fan against all defects in workmanship and materials. You must be the original purchaser or user of the product to be covered.

What The Period Of Coverage Is:

As it applies to the motor, this warranty will last for the lifetime of your ceiling fan. All other components and accessories are covered by this warranty for one year from the date you purchased your ceiling fan. ANY IMPLIED WARRANTY OF MERCHANTABILITY OR FITNESS FOR A PARTICULAR PURPOSE, MADE WITH RESPECT TO COMPONENTS AND ACCESSORIES IS ALSO LIMITED TO ONE YEAR.

What Will Emerson Company Do To Correct Problems:

Emerson will replace a defective Emerson Air Comfort Ceiling Fan motor, blade, component or other accessory at no charge to you. If repair of the motor or blades is not practical or possible within a reasonable time and no replacement can be provided, Emerson will refund the actual purchase price of your fan. **WE WILL SHIP THE REPAIRED PRODUCT OR REPLACEMENT TO YOU AT NO CHARGE, BUT YOU ARE RESPONSIBLE FOR ALL COSTS OF REMOVAL, REINSTALLATION AND SHIPPING OF THE PRODUCT TO EMERSON.**

How Can You Get Service:

YOU MUST HAVE PROOF OF YOUR PURCHASE OF THE CEILING FAN TO OBTAIN LIMITED WARRANTY SERVICE. KEEP YOUR RECEIPT OR OTHER PROOF OF PURCHASE. You can return the product to our factory or to your nearest authorized service center.

- To return the product to the factory, obtain a return authorization and service identification tag by writing to Air Comfort Products, Division of Emerson Company, 8100 W. Florissant Ave., St. Louis, MO 63136. Include all model numbers shown on the product with your request.
- To return the product to an authorized service center, call 1-800-654-3545 for the address of the nearest authorized service center.

You will be responsible for all insurance, freight or other transportation charges to our factory or authorized service center. Your Emerson Air Comfort Ceiling Fan should be properly packed to avoid damage in transit since we will not be responsible for any such damage.

What Is Not Covered:

The glass globes and light bulbs of your ceiling fan are not covered by this warranty. This warranty also does not cover any defects, malfunctions or failures caused by:

- Repairs by persons not authorized by Emerson Company,
- Use of parts or accessories not authorized by Emerson Company,
- Mishandling, improper installation, modifications or damage to your ceiling fan while in your possession, or
- Unreasonable use, misuse, abuse, including failing to do reasonable and necessary maintenance, and normal wear and tear.

Additionally, this warranty and any implied warranty of merchantability or fitness for a particular purpose are voided when:

- The original purchaser or user ceases to own the product, or
- The fan is moved from its original point of installation.

This warranty is only valid within the 50 states of the United States and the District of Columbia. No other written or oral warranties apply, and no employee, agent, dealer or other person is authorized to give any warranties on behalf of Emerson Company.

REPAIR, REPLACEMENT OR A REFUND ARE THE EXCLUSIVE REMEDIES AVAILABLE UNDER THIS WARRANTY AND EMERSON IS NOT RESPONSIBLE FOR DAMAGES OF ANY KIND, INCLUDING INCIDENTAL AND CONSEQUENTIAL DAMAGES. Incidental damages include but are not limited to such damages as loss of time and loss of use. Consequential damages include but are not limited to the cost of repairing or replacing other property which was damaged if this product does not work properly.

How State Law Relates To The Warranty:

Some states do not allow the exclusion or limitation of incidental or consequential damages so the above exclusion or limitation may not apply to you. This warranty gives you specific legal rights, and you may also have other rights which vary from state to state.



EMERSON

Air Comfort Products

DIVISION OF EMERSON COMPANY

8100 W. Florissant • St. Louis, MO 63136