

# READ AND SAVE THESE INSTRUCTIONS

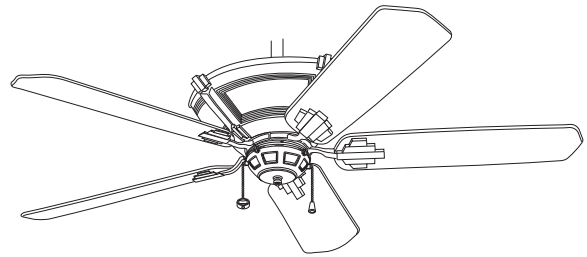


**EMERSON™**

**ATHENIAN™**

## Ceiling Fan Owner's Manual

Net Weight: 21.6 Lbs.



### Model No.

CF2400AB00  
CF2400BC00  
CF2400BZH00  
CF2400ORB00  
CF2400PW00  
CF2400SCK00  
CF2400WB00

### LIMITED WARRANTY

#### What The Warranty Covers:

This warranty covers the motor and the other components and accessories of your Emerson ceiling fan against all defects in workmanship and materials. You must be the original purchaser or user of the product to be covered.

#### What The Period Of Coverage Is:

As it applies to the motor, this warranty will last for a lifetime of your ceiling fan. All other components and accessories are covered by this warranty for one year from the date you purchased your ceiling fan. ANY IMPLIED WARRANTY OF MERCHANTABILITY OR FITNESS FOR A PARTICULAR PURPOSE, MADE WITH RESPECT TO COMPONENTS AND ACCESSORIES IS ALSO LIMITED TO ONE YEAR.

#### What Will Emerson Electric Co. Do To Correct Problems:

Emerson Electric Co. will replace a defective Emerson Air Comfort Ceiling Fan motor, blade, component or other accessory at no charge to you. If repair of the motor or blades is not practical or possible within a reasonable time and no replacement can be provided, Emerson will refund the actual purchase price of your fan. **WE WILL SHIP THE REPAIRED PRODUCT OR REPLACEMENT TO YOU AT NO CHARGE, BUT YOU ARE RESPONSIBLE FOR ALL COSTS OR REMOVAL, REINSTALLATION AND SHIPPING OF THE PRODUCT TO EMERSON ELECTRIC CO.**

#### How Can You Get Service:

YOU MUST HAVE PROOF OF YOUR PURCHASE OF THE CEILING FAN TO OBTAIN LIMITED WARRANTY SERVICE. KEEP YOUR RECEIPT OR OTHER PROOF OF PURCHASE. You can return the product to our factory or to your nearest authorized service center.

- To return the product to the factory, obtain a return authorization and service identification tag by writing to Air Comfort Products, Division of Emerson Electric Co., 8100 W. Florissant Ave., St. Louis, MO 63136. Include all model numbers shown on the product with your request.
- To return the product to an authorized service center, call 1-800-654-3545 for the address of the nearest authorized service center.

You will be responsible for all insurance, freight or other transportation charges to our factory or authorized service center. Your Emerson Air Comfort Ceiling Fan should be properly packed to avoid damage in transit since we will not be responsible for any such damage.

#### What Is Not Covered:

The glass globes and light bulbs of your ceiling fan are not covered by this warranty. This warranty also does not cover any defects, malfunctions or failures caused by:

- Repairs by persons not authorized by Emerson Electric Co.,
- Use of parts or accessories not authorized by Emerson Electric Co.,
- Mishandling, improper installation, modifications or damage to your ceiling fan while in your possession, or
- Unreasonable use, misuse, abuse, including failing to do reasonable and necessary maintenance, and normal wear and tear.

Additionally, this warranty and any implied warranty of merchantability or fitness for a particular purpose are voided when:

- The original purchaser or user ceases to own the product, or
- The fan is moved from its original point of installation.

This warranty is only valid within the 50 states of the United States and the District of Columbia. No other written or oral warranties apply, and no employee, agent, dealer or other person is authorized to give any warranties on behalf of Emerson Electric Co.

REPAIR, REPLACEMENT OR A REFUND ARE THE EXCLUSIVE REMEDIES AVAILABLE UNDER THIS WARRANTY AND EMERSON IS NOT RESPONSIBLE FOR DAMAGES OF ANY KIND, INCLUDING INCIDENTAL AND CONSEQUENTIAL DAMAGES. Incidental damages include but are not limited to such damages as loss of time and loss of use. Consequential damages include but are not limited to the cost of repairing or replacing other property which was damaged if this product does not work properly.

#### How State Law Relates To The Warranty:

Some states do not allow the exclusion or limitation of incidental or consequential damages so the above exclusion or limitation may not apply to you. This warranty gives you specific legal rights, and you may also have other rights which vary from state to state.

 **WARNING**

**WARNING: To avoid fire, shock, and serious personal injury, follow these instructions.**

**Safety Instructions**

1. Read your owner's manual carefully and keep it for future reference.
2. Before servicing or cleaning unit, switch power off at service panel and lock service panel disconnecting means to prevent power from being switched on accidentally. When the service disconnecting means cannot be locked, securely fasten a warning device, such as a tag, to the service panel.
3. Be careful of the fan and blades when cleaning, painting, or working near the fan. Always turn off the power to the ceiling fan before servicing.
4. Do not put anything into the fan blades while they are turning.
5. Do not operate reversing switch until fan blades have come to a complete stop.

**Additional Safety Instructions for Installation**

1. To avoid possible shock, be sure electricity is turned off at the fuse box before wiring, and do not operate fan without blades.
2. All wiring must be in accordance with the National Electrical Codes "ANSI/NFPA 70-1999" and Local Electrical Codes. The ceiling fan must be grounded as a precaution against possible electrical shock. Electrical installation should be made or approved by a licensed electrician.
3. The outlet box and joist must be securely mounted and capable of reliably supporting at least 50 pounds. Use only U.L. outlet boxes listed as "Acceptable for Fan Support", and use the mounting screws provided with the outlet box. Most outlet boxes commonly used for support of light fixtures are not acceptable for fan support and may need to be replaced. Consult a qualified electrician if in doubt.
4. The downrod furnished with the fan provides the minimum recommended floor to fan blade clearance for an 8 foot ceiling.
5. The fan must be mounted with the fan blades at least 7 feet from the floor to prevent accidental contact with the fan blades.
6. Follow the recommended instructions for the proper method of wiring your ceiling fan. If you do not know enough about electrical wiring, have your fan installed by a licensed electrician.

**WARNING: To avoid fire, shock or injury, do not use an Emerson or any other brand of control not specifically approved for this fan.**

**WARNING: This product is designed to use only those parts supplied with this product and/or any accessories designated specifically for use with this product by Emerson Electric Co. Substitution of parts or accessories not designated for use with this product by Emerson Electric Co. could result in personal injury or property damage.**

**WARNING: To Reduce the risk of personal injury, do not bend the blade flange when installing the blade flanges, balancing the blades or cleaning the fan. Do not insert foreign objects in between rotating fan blades.**

**DATE CODE:** \_\_\_\_\_

The date code of this fan may be found on the box, stamped in ink on a white label.

You should record this data above and keep it in a safe place for future use.

# This Manual Is Designed to Make it as Easy as Possible for You to Assemble, Install, Operate and Maintain Your Ceiling Fan

## Tools Needed for Assembly

One Phillips head screwdriver      One wire stripper  
 Three wire connectors (supplied)      One stepladder  
 Four T8 25-watt (max.) candelabra base bulbs (supplied)

Installed Wire Length	Wire Size A.W.G.
Up to 50 ft.	14
50-100 ft.	12

## MATERIALS

Wiring, outlet box and box connectors must be of type required by the local code. The minimum wire would be a 3-conductor (2-wire with ground) of the following sizes:

### WARNING

Before assembling your ceiling fan, refer to section on proper method of wiring your fan (page 7). If you feel you do not have enough wiring knowledge or experience, have your fan installed by a licensed electrician.

## Unpacking Instructions

For your convenience, check-off boxes are provided next to each step. As each step is completed, place a check mark in the box. This will insure that all steps have been completed and will be helpful in finding your place should you be interrupted.

### WARNING

Do not install or use fan if any part is damaged or missing. Call Toll-Free:

**1-800-654-3545**

### WARNING

This product is designed to use only those parts supplied with this product and/or any accessories designated specifically for use with this product by Emerson Electric Co. Substitution of parts or accessories not designated for use with this product by Emerson Electric Co. could result in personal injury or property damage.

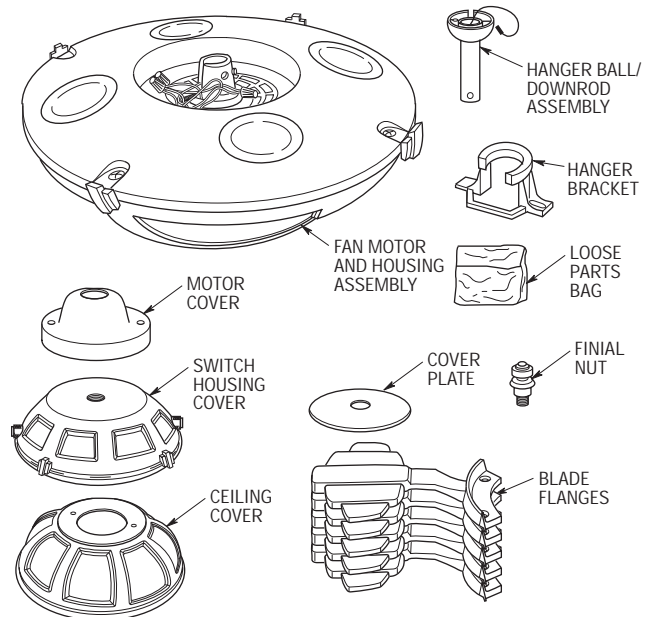
9. Two couplings
10. One hairpin clip
11. One clevis pin
12. Eleven 10-32 x 5/8" oval head screws
13. Sixteen 10-32 x 3/8" Phillips pan head screws
14. Sixteen #10 flat washers
15. Three 8-32 x 3/8" pan head screws

**NOTE: Place the parts from the loose parts bags in a small container to keep them from being lost. If any parts are missing, contact your local retailer or catalog outlet for replacement before proceeding.**

1. Open styrofoam unit containing fan. Remove top half of styrofoam unit. Remove parts and check to see that you have received the following parts:

**NOTE: If you are uncertain of part description, refer to exploded view illustration.**

- a. Fan motor and housing assembly
- b. One motor cover
- c. One ceiling cover
- d. Five blade flanges
- e. One hanger bracket
- f. One hanger ball/downrod assembly
- g. One switch housing cover
- h. One cover plate
- i. One finial nut
- j. One upright lead assembly (used only for remote control operation)
- k. Four T8 25-watt candelabra base bulbs
- l. One loose parts bag containing:
  1. One 5/16-18 x 1/4" setscrew
  2. One setscrew wrench
  3. Two 1" threaded studs
  4. Two 1-1/4" threaded studs
  5. Four knurled knobs
  6. Four lockwashers
  7. Four wire connectors
  8. Two pull chain pendants



# Electrical Requirements

Your new ceiling fan will require a grounded electrical supply line of 120 volts AC, 60 Hz, 15 amp circuit.

The outlet box must be securely anchored and capable of withstanding a load of at least 50 pounds.

**⚠ WARNING**

**To reduce the risk of fire, electric shock, or personal injury, mount fan to outlet box marked "Acceptable for Fan Support", and use screws supplied with outlet box. Most outlet boxes commonly used for support of light fixtures are not acceptable for fan support and may need to be replaced. Consult a qualified electrician if in doubt.**

If your fan is to replace an existing ceiling light fixture, turn electricity off at the main fuse box at this time and remove the existing light fixture.

**⚠ WARNING**

**Turning off wall switch is not sufficient. To avoid possible electrical shock, be sure electricity is turned off at the main fuse box before wiring. All wiring must be in accordance with National and Local codes and the ceiling fan must be properly grounded as a precaution against possible electrical shock.**

**⚠ WARNING**

**To avoid possible fire or shock, follow all wiring instructions carefully.**

**Any electrical work not described in these instructions should be done or approved by a licensed electrician.**

The Emerson CF2400 Series Ceiling Fan is designed to be operated from wall switch(es), from an Emerson remote control/transmitter, or from Emerson fan/light controls. There are no controls supplied with the ceiling fan.

## Uplight

Your ceiling fan is supplied with a built-in uplight in the motor housing. This uplight has a pull chain switch in the switch housing to turn it ON or OFF. A separate switch may be used to operate the uplight. This will require a three-wire (with ground) conductor cable between the ceiling and wall outlet boxes.

# How to Assemble Your Ceiling Fan

**IMPORTANT: If you are going to use an Emerson remote control and receiver to control your fan, perform the instructions in this Owner's Manual in conjunction with the instructions contained in the remote control/receiver Owner's Manual.**

- 1. Remove the fan motor and housing assembly from the styrofoam packaging and position it so that the top of the motor is facing you.
- 2. Remove the hanger ball from the downrod by loosening the setscrew in the hanger ball until the ball falls freely down the downrod (Figure 1). Remove the pin from the downrod, then remove the hanger ball. Retain the pin and hanger ball for reinstallation in step 8.

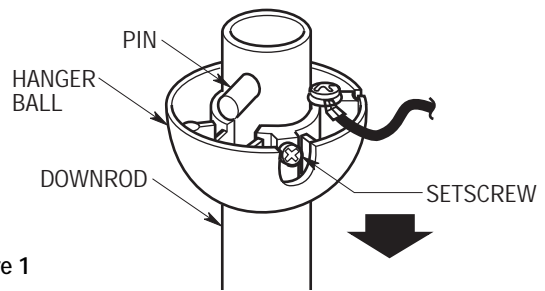


Figure 1

- 3. Separate, untwist and unkink the three motor leads. Route the motor leads through the downrod and seat the downrod in the motor coupling (Figure 2).

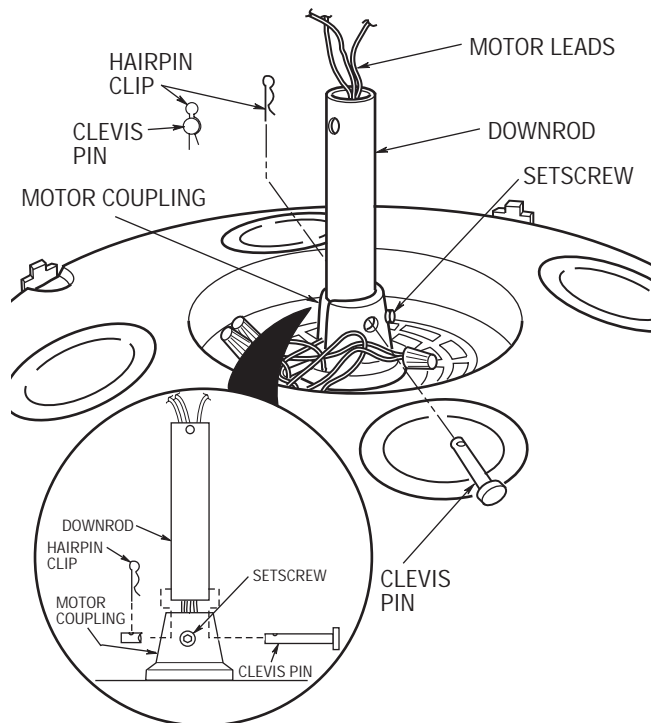


Figure 2

4. Align the clevis pin holes in the downrod with the holes in the motor coupling. Install the clevis pin and secure with the hairpin clip (Figure 2). (Pin and clip are supplied in loose parts bag.) The clevis pin must go through the holes in the motor coupling and the holes in the downrod. Push the straight leg of the hairpin clip through the hole near the end of the clevis pin until the curved portion of the hairpin clip snaps around the clevis pin. The hairpin clip must be properly installed to prevent the clevis pin from working loose. Pull the hanger ball to make sure the clevis pin is properly installed.

**▲ WARNING**

**It is critical that the clevis pin in the motor coupling is properly installed and the setscrew securely tightened. Failure to verify that the pin and setscrew are properly installed (as shown in Figure 2) could result in the fan falling.**

5. Install the setscrew (supplied) in the motor coupling (Figure 2). While pulling up on the downrod, tighten the setscrew using the setscrew wrench (supplied).

**NOTE: The setscrew must be properly installed as described above, or fan wobble could result.**

6. Screw two 1" threaded studs (supplied) into the motor (Figure 3). Leave approximately 7/8" of the stud extending above the motor. Coil the wires and wire connectors around the motor coupling then slide the motor cover over the downrod and rotate the cover until the threaded studs protrude. Install two lockwashers (supplied) to secure the cover to the motor. All wires and wire connectors must be enclosed under the motor cover.

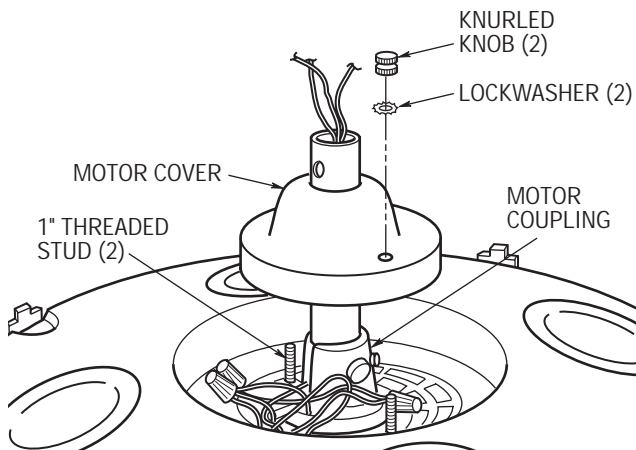


Figure 3

**NOTE: Lightly snug the knurled knobs and make sure the wires and wire connectors are completely inside the motor coupling cover and not pinched between the motor coupling cover and the motor.**

7. Position the ceiling cover over the downrod. Be sure the cover is oriented correctly, with the large opening at the top (Figure 4).

8. Reinstall the hanger ball on the downrod (Figure 4) as follows. Route the motor leads through the hanger ball and slide the hanger ball over the downrod. Install the pin through the holes at the top of the downrod and slide the hanger ball up the downrod, aligning the ball so the pin is captured in the groove in the top of the hanger ball. Pull the hanger ball up tight against the pin and securely tighten the setscrew in the hanger ball. A loose setscrew could create fan wobble.

**▲ WARNING**

**It is critical that the pin in the hanger ball is properly installed and the setscrew securely tightened. Failure to verify that the pin and setscrew are properly installed could result in the fan falling.**

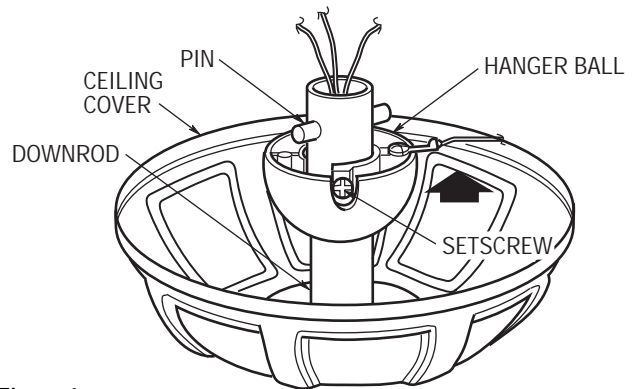
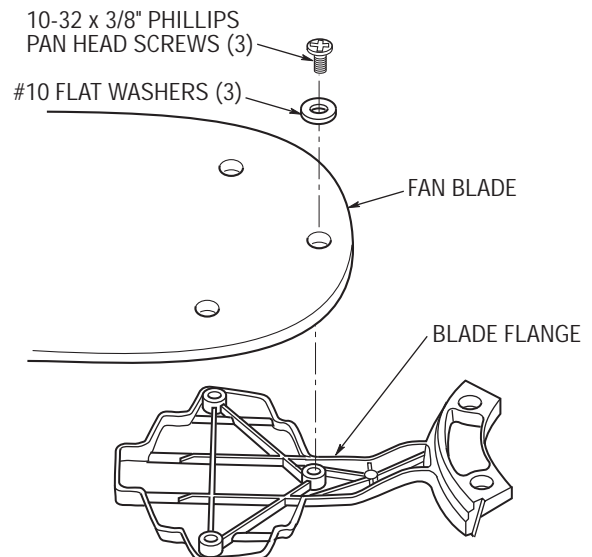


Figure 4

9. The fan comes with blue, black and white leads that are 80-inches long. Before installing the fan, measure up approximately 6 to 9-inches above top of hanger ball/downrod assembly. Cut off excess leads and strip back insulation 1/2-inch from end of leads.

10. Use three 10-32 x 3/8" Phillips pan head screws (supplied) and three #10 flat washers to secure the fan blade to the blade flange (Figure 5). Repeat this procedure for the remaining four blades.



5 Figure 5

- 11. Use the 10 round recessed holes in the motor hub that are marked with a "5" and install the five blade assemblies in accordance with Step 12. One side of the switch housing has been indented to allow easy access when installing the flange screws.

**WARNING**

To reduce the risk of personal injury, do not bend the blade flanges when installing the flanges, balancing the blades, or cleaning the fan. Do not insert foreign objects between rotating fan blades.

- 12. Attach one blade assembly to the motor hub using two 10-32 x 5/8" oval head screws (supplied) (Figure 6). Do not tighten completely at this time. Install four remaining blade assemblies in the same way. Gently snug all flange screws to the motor hub, working around the hub in a clockwise sequence. Next, securely tighten all flange screws, again working in a clockwise sequence. Failure to follow this procedure could result in fan wobble. This completes the blade installation.

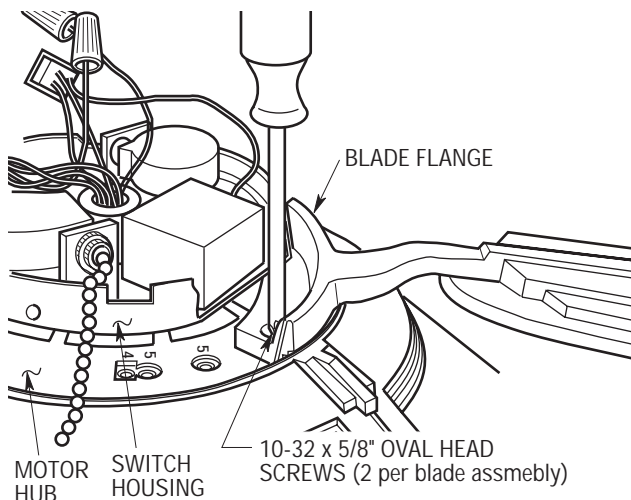


Figure 6

## How to Hang Your Ceiling Fan

**WARNING**

The fan must be hung with at least 7' of clearance from floor to blades (Figure 7).

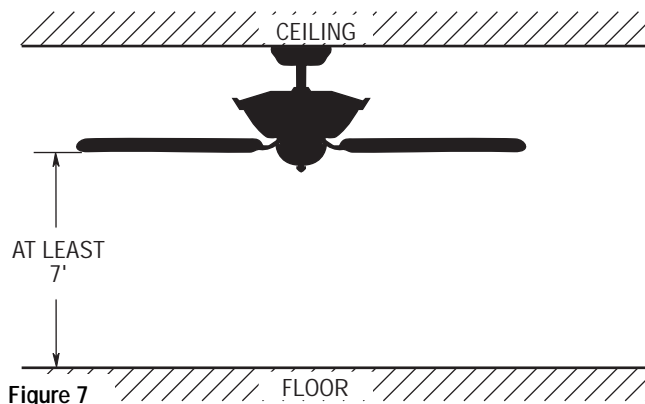


Figure 7

**WARNING**

The outlet box and joist must be securely mounted and capable of supporting at least 50 lbs. Use only a U.L. outlet box listed as "Acceptable for Fan Support".

- 1. Securely attach the hanger bracket to the outlet box using the two screws supplied with the outlet box. (Figure 8.)

**WARNING**

Hanger bracket must seat firmly against outlet box. If the outlet box is recessed, remove wall board until bracket contacts box. If bracket and/or outlet box are not securely attached, the fan could wobble or fall.

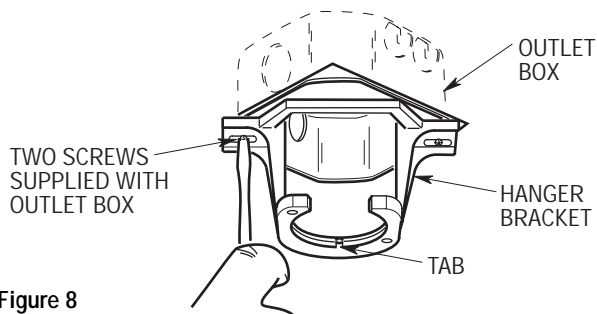


Figure 8

- 2. Carefully lift the fan and seat the hanger ball/downrod assembly on the hanger bracket that was just attached to the outlet box (Figure 9). Be sure the groove in the ball is lined up with the tab on the hanger bracket (Figure 8).

**WARNING**

Failure to seat tab in groove could cause damage to electrical wires and possible shock or fire hazard.

NOTE: CEILING COVER, SUPPLY WIRES AND FAN WIRES OMITTED FOR CLARITY.

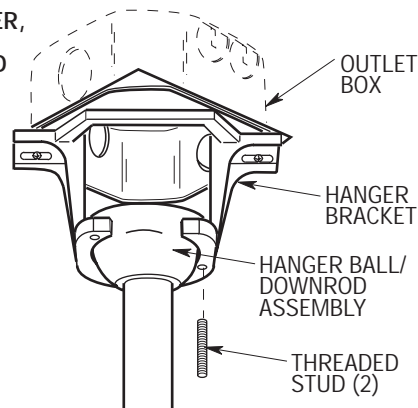


Figure 9

**WARNING**

To avoid possible fire or shock, do not pinch wires between the hanger ball/downrod assembly and hanger bracket.

# How to Wire Your Ceiling Fan

If you feel that you do not have enough electrical wiring knowledge or experience, have your fan installed by a licensed electrician.

## ⚠️ WARNING

Turning off wall switch is not sufficient. To avoid possible electrical shock, be sure electricity is turned off at the main fuse box before wiring. All wiring must be in accordance with National and Local codes and the ceiling fan must be properly grounded as a precaution against possible electrical shock.

1. If you are going to use an Emerson Remote Control/Receiver or Wall Control/Receiver to operate your ceiling fan, wire your fan in accordance with the Control/Receiver Owner's Manual. (NOTE: The wire from the uplight harness is orange instead of yellow.) After wiring, return to Step 4 below.

2. If you are going to use two wall switches or Emerson Fan/Light Controls, you will need a three-wire (with ground) conductor cable between the ceiling and wall outlet boxes. This will allow you to operate the uplight and optional Emerson Light Fixture (if installed) from one switch/control and the ceiling fan from a separate switch/control. (Refer to the Emerson Fan/Light Control Owner's Manual.) Refer to Figure 10 and proceed as follows:

- Connect the green grounding lead from the hanger ball and the green grounding lead from the hanger bracket to the supply grounding conductor (this may be a bare wire or wire with green colored insulation). Securely connect wires with a wire connector (supplied).
- Securely connect the fan motor white wire to the supply white (neutral) wire using a wire connector (supplied).
- Securely connect the fan motor black wire to the supply black (hot) wire using a wire connector (supplied).
- Securely connect the fan motor blue wire to the supply red (hot) wire using a wire connector (supplied).
- After connections have been made, separate the white and green wires from the black, blue and red wires.
- Carefully turn the wires upward and insert them up through the open side of the hanger bracket and into the outlet box. Push the green and white wires into one side of the outlet box; push the black, blue and red wires into the other side of the outlet box.

## ⚠️ WARNING

Check to see that all connections are tight, including ground, and that no bare wire is visible at the wire connectors, except for the ground wire. Do not operate fan until blades are in place. Noise and fan damage could result.

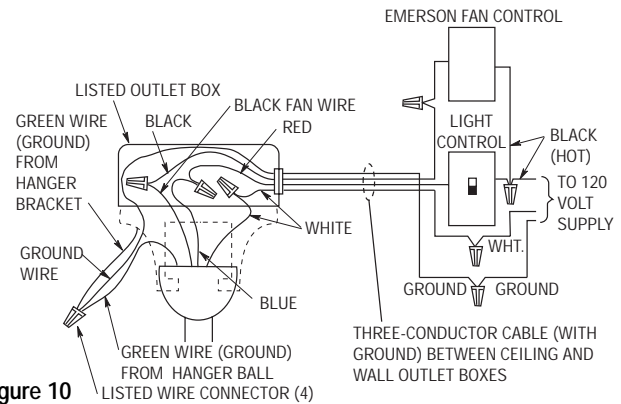


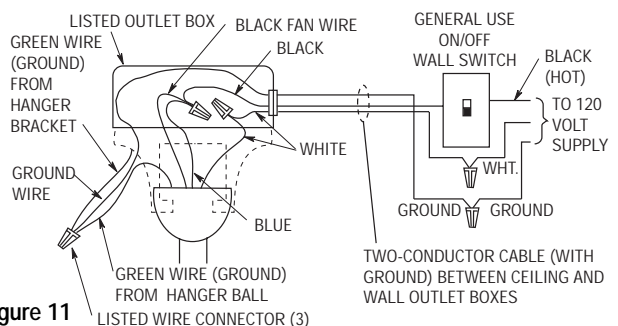
Figure 10 LISTED WIRE CONNECTOR (4)

3. If you are going to use a single wall switch to control your ceiling fan, uplight, and optional Emerson Light Fixture (if installed) simultaneously, you will need a standard two-wire (with ground) conductor cable between the ceiling and wall outlet boxes. The fan speed and uplight can then be operated from the pull chain switches in the switch housing; the optional light fixture can be operated from the light fixture switch. Refer to Figure 11 and proceed as follows:

- Connect the green grounding lead from the hanger ball and the green grounding lead from the hanger bracket to the supply grounding conductor (this may be a bare wire or wire with green colored insulation). Securely connect wires with a wire connector (supplied).
- Securely connect the fan motor white wire to the supply white (neutral) wire using a wire connector (supplied).
- Securely connect the fan motor black wire and blue wire to the supply black (hot) wire using a wire connector (supplied).
- After connections have been made, separate the white and green wires from the black and blue wires.
- Carefully turn the wires upward and insert them up through the open side of the hanger bracket and into the outlet box. Push the green and white wires into one side of the outlet box; push the black and blue wires into the other side of the outlet box.

## ⚠️ WARNING

Check to see that all connections are tight, including ground, and that no bare wire is visible at the wire connectors, except for the ground wire. Do not operate fan until blades are in place. Noise and fan damage could result.



7 Figure 11 LISTED WIRE CONNECTOR (3)

- 4. Screw the two 1-1/4" threaded studs (supplied) into the tapped holes in the hanger bracket (Figure 9).
- 5. Lift the ceiling cover up to the threaded studs and turn until the studs protrude through the holes in the ceiling cover (Figure 12).
- 6. Secure the ceiling cover in place by sliding lockwashers (supplied) over the threaded studs and installing the two knurled knobs (supplied). (Figure 12.) Tighten the knurled knobs securely until the ceiling cover fits snugly against the ceiling.

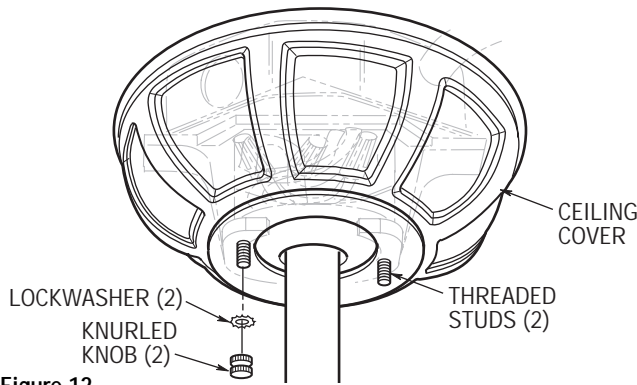


Figure 12

**▲ WARNING**

**To avoid possible fire or shock, make sure that the electrical wires are completely inside the outlet box and not pinched between the ceiling cover and the ceiling.**

- 7. Screw in four T8 25-watt (maximum) candelabra base bulbs (supplied) into the upright sockets on top of the fan housing assembly.
- 8. Position the cover plate on the switch housing cover (Figure 13) and secure in place by installing the finial nut finger tight.

**NOTE: If you are going to install an Emerson accessory light kit, do not install the finial nut and cover plate. Instead, install the switch housing cover on the light kit in accordance with the Emerson light kit Owner's Manual.**

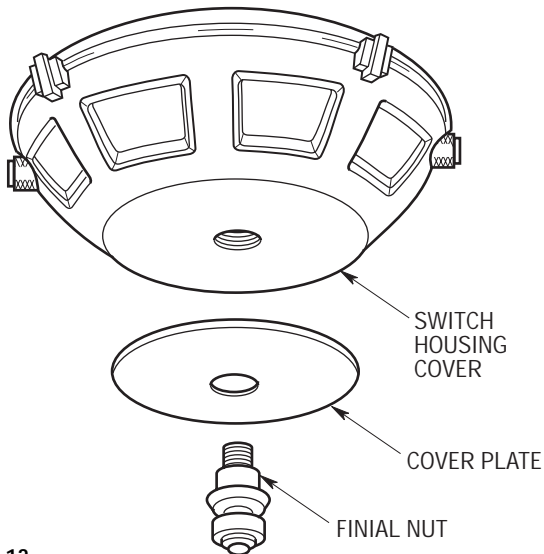


Figure 13

- 9. Position the switch housing cover so that the tab on the inside of the switch housing cover aligns with the notch in the switch housing (Figure 14). With the switch housing cover held in this position, pass the shortest pull chain through the nearest bushing.
- 10. Attach the smaller pendant to the smallest pull chain using a coupling (Figure 14). Pass the longer pull chain through the other bushing; attach the largest pendant to this pull chain using a coupling.

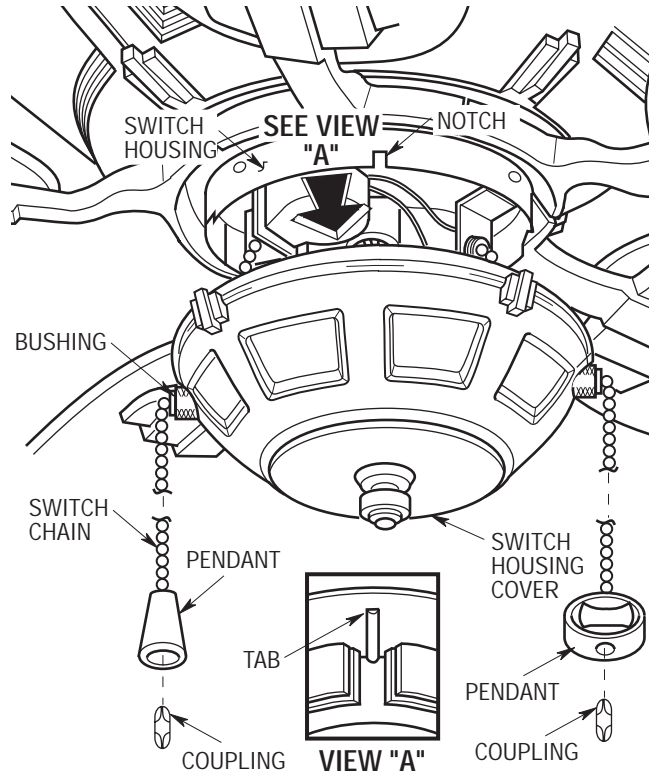


Figure 14

- 11. Position the switch housing cover over the switch housing and rotate slightly until the tab in the cover engages with the notch in the switch housing. Install three 8-32 x 3/8" pan head screws to secure the cover in place (Figure 15).

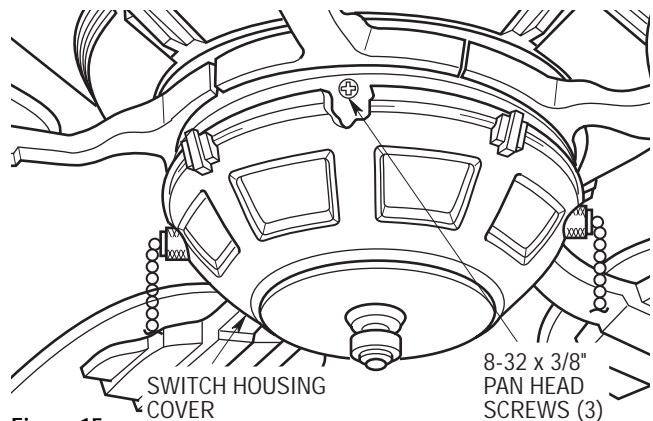


Figure 15



## Using Your Ceiling Fan

1. Restore electrical power to the outlet box by turning the electricity on at the main fuse box.
2. Check the operation of the fan by gently pulling on the 4-position speed control switch pull chain. The operating sequence is as follows:

### THREE-SPEED

1st Pull—HIGH      3rd Pull—Low  
 2nd Pull—Medium    4th Pull—OFF

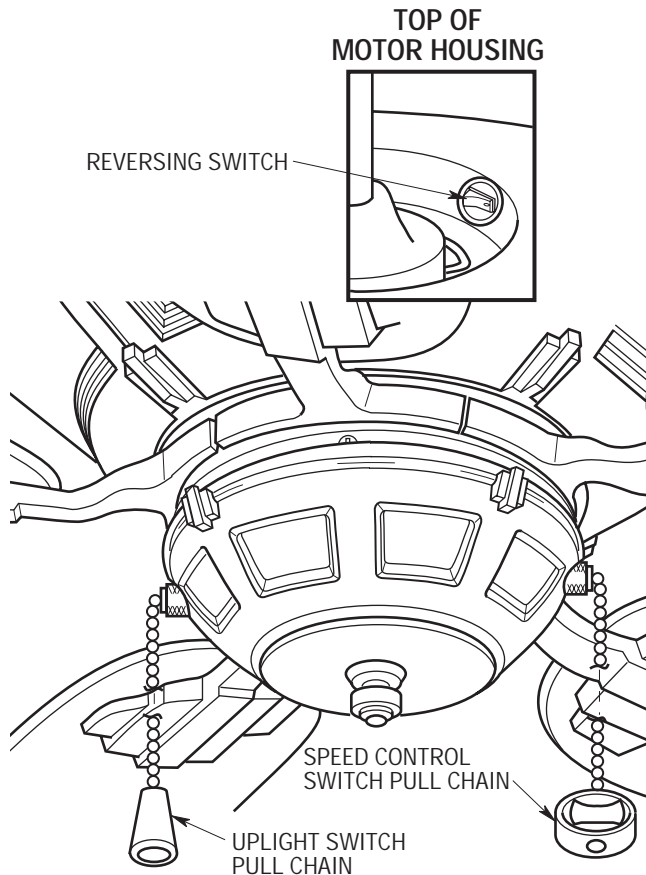


Figure 16

3. If airflow is desired in opposite direction, turn your fan off and wait for the blades to stop turning, then press the rocker switch located on top of the motor housing, and turn the fan on again (Figure 16). The fan blades will turn in the opposite direction and reverse airflow.
4. Check the operation of the uplight by gently pulling the light switch pull chain.

## Attaching Light Kit

To install an Emerson accessory light kit, remove the three screws securing the switch housing cover to the switch housing. Remove the finial nut and cover plate from the bottom of the switch housing cover and install the light kit in accordance with the Emerson light kit Owner's Manual.

<b>⚠ WARNING</b>
<b>To avoid possible electrical shock, be sure electricity is turned off at the main service box before wiring.</b>

## Maintenance

### IMPORTANT CARE INSTRUCTIONS for your Ceiling Fan

Periodic cleaning of your new ceiling fan is the only maintenance that is needed.

When cleaning, use only a soft brush or lint free cloth to avoid scratching the finish.

Abrasive cleaning agents are not required and should be avoided to prevent damage to finish.

<b>⚠ WARNING</b>
<b>Do not use water when cleaning your ceiling fan. It could damage the motor or the blades and create the possibility of an electrical shock.</b>

## Accessories

1. Ceiling Fan Light Kits (see store or catalog).
2. Downrod Extension Kits (see store or catalog).
3. Ceiling Fan Controls (see store or catalog).

<b>⚠ WARNING</b>
<b>The use of any other control not specifically approved for this fan could result in fire, shock and personal injury.</b>

<b>⚠ WARNING</b>
<b>This product is designed to use only those parts supplied with this product and/or any accessories designated specifically for use with this product by Emerson Electric Co. Substitution of parts or accessories not designated for use with this product by Emerson Electric Co. could result in personal injury or property damage.</b>

**▲ WARNING: FOR YOUR OWN SAFETY TURN OFF POWER AT FUSE BOX OR CIRCUIT BREAKER BEFORE TROUBLE SHOOTING YOUR FAN.**

## Trouble Shooting

TROUBLE	PROBABLE CAUSE	SUGGESTED REMEDY
<b>1. Fan will not start.</b>	<ol style="list-style-type: none"> <li>1. Fuse or circuit breaker blown.</li> <li>2. Loose power line connections to the fan, or loose switch wire connections in the switch housing.</li> </ol>	<ol style="list-style-type: none"> <li>1. Check main and branch circuit fuses or circuit breakers.</li> <li>2. Check line power connections to fan and switch wire connections in the switch housing.</li> </ol> <p><b>▲ WARNING: Make sure main power is turned off.</b></p>
<b>2. Fan sounds noisy.</b>	<ol style="list-style-type: none"> <li>1. Blades not attached to fan.</li> <li>2. Screws securing fan blade flanges to motor are loose.</li> <li>3. Wire connectors inside switch housing rattling.</li> <li>4. Screws holding blades to flanges are loose.</li> <li>5. Loose screws in motor housing.</li> </ol>	<ol style="list-style-type: none"> <li>1. Attach blades to fan before operating.</li> <li>2. Check to make sure the screws which attach the blade flanges to the motor are tight.</li> <li>3. Check to make sure wire connectors in switch housing are not rattling against each other or against the interior wall of the switch housing.</li> </ol> <p><b>▲ WARNING: Make sure main power is turned off.</b></p> <ol style="list-style-type: none"> <li>4. Tighten screws securely.</li> <li>5. Check to make sure all screws in motor housing are snug (not over-tight)</li> </ol>
<b>3. Fan wobbles excessively.</b>	<ol style="list-style-type: none"> <li>1. Setscrew in motor coupling is not tightened securely.</li> <li>2. Setscrew in the hanger ball/downrod assembly is loose.</li> <li>3. Screws securing fan blade flanges to motor are loose.</li> <li>4. Fan blade flanges not seated properly.</li> <li>5. Hanger bracket and/or ceiling outlet box is not securely fastened</li> <li>6. Fan blades out of balance.</li> </ol>	<ol style="list-style-type: none"> <li>1. Raise coupling cover and tighten setscrew securely.</li> <li>2. Tighten the setscrew in the hanger ball/downrod assembly.</li> <li>3. Check to be sure screws which attach the fan blade flanges to the motor are tight.</li> <li>4. Check to be sure the fan blade flanges seat firmly and uniformly to the surface of the motor. If flanges are seated incorrectly, loosen the flange screws and retighten according to Step 12 and Figure 6.</li> <li>5. Tighten the hanger bracket screws to the outlet box, and/or secure outlet box.</li> <li>6. Interchanging an adjacent (side-by-side) blade pair can redistribute the weight and result in smoother operation. Or use supplied balancing kit to balance blades.</li> </ol>

# Repair Parts

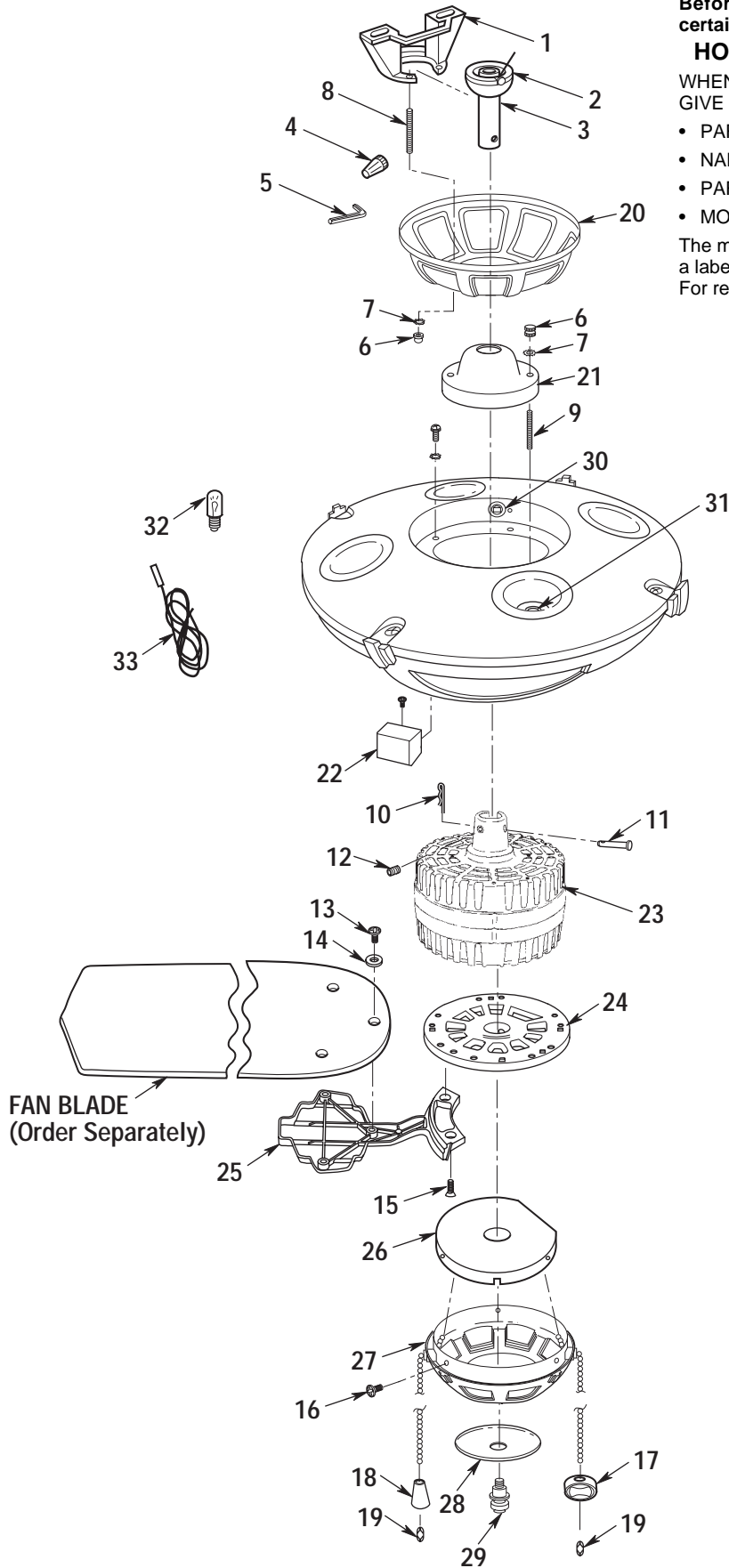
Before discarding packaging material, be certain all parts have been removed.

## HOW TO ORDER REPAIR PARTS

WHEN ORDERING REPAIR PARTS, ALWAYS GIVE THE FOLLOWING INFORMATION:

- PART NUMBER
- NAME OF ITEM
- PART DESCRIPTION
- MODEL NUMBER

The model number of your Fan will be found on a label attached to the top housing.  
For repair parts, phone 1-800-654-3545.



# Repair Parts Listing

Key No.	Description	Part Numbers						
		Model No. CF2400AB00	Model No. CF2400BC00	Model No. CF2400BZH00	Model No. CF2400ORB00	Model No. CF2400PW00	Model No. CF2400SCK00	Model No. CF2400WB00
*	Hanger Pack, Consisting of:	761655-3	761655-24	761655-57	761655-32	761655-22	761655-31	761655-20
1	Hanger Bracket	—	—	—	—	—	—	—
2	Hanger Ball	—	—	—	—	—	—	—
3	Downrod	—	—	—	—	—	—	—
*	Parts Bag, Containing:	762548	762548	762548	762548	762548	762548	762548
4	Wire Connector (4)	—	—	—	—	—	—	—
5	Setscrew Wrench, 5/32"	—	—	—	—	—	—	—
6	Knurled Knob (4)	—	—	—	—	—	—	—
7	Lockwasher (4)	—	—	—	—	—	—	—
8	Threaded Stud, 1-1/4" (2)	—	—	—	—	—	—	—
9	Threaded Stud, 1" (2)	—	—	—	—	—	—	—
10	Hairpin Pin	—	—	—	—	—	—	—
11	Clevis Pin	—	—	—	—	—	—	—
12	Setscrew, 5/16-18 x 1/4"	—	—	—	—	—	—	—
13	Screw, Phillips Pan Head, #10-32 x 3/8" (16)	—	—	—	—	—	—	—
14	Washer, Flat, #10 (16)	—	—	—	—	—	—	—
15	Screw, Oval Head, #10-32 x 5/8" (11)	—	—	—	—	—	—	—
16	Screw, Pan Head, #8-32 x 3/8" (3)	—	—	—	—	—	—	—
17	Pendant, Fan Pull Chain	—	—	—	—	—	—	—
18	Pendant, Uplight Pull Switch	—	—	—	—	—	—	—
19	Coupling (2)	—	—	—	—	—	—	—
20	Cover, Ceiling	762556-5	762556-4	762556-13	762556-12	762556-8	762556-11	762556-1
21	Cover, Motor	761621-3	761621-23	761621-27	761621-25	761621-21	761621-24	761621-17
22	Capacitor, Aux. 10 uF	762242	762242	762242	762242	762242	762242	762242
23	Motor	762508	762508	762508	762508	762508	762508	762508
24	Hub, Motor	760601	760601	760601	760601	760601	760601	760601
25	Flange Set, Blade (full set for one fan)	762540-5	762540-4	762540-13	762540-12	762540-8	762540-11	762540-1
26	Housing Assembly, Switch	762542	762542	762542	762542	762542	762542	762542
27	Cover, Switch Housing	762544-5	762544-4	762544-13	762544-12	762544-8	762544-11	762544-1
28	Plate, Cover	762546-5	762546-4	762546-13	762546-12	762546-8	762546-11	762546-1
29	Nut, Finial	762547-5	762547-4	762547-13	762547-12	762547-8	762547-11	762547-1
30	Switch Assembly, Reversing	762627	762627	762627	762627	762627	762627	762627
31	Harness Assembly, Uplight	762625	762625	762625	762625	762625	762625	762625
32	T8 Candelabra Bulb, 25-watt (4)	—	—	—	—	—	—	—
33	Lead Assembly, Uplight (used only for remote control operation)	761790	761790	761790	761790	761790	761790	761790
—	Owner's Manual	BP7278	BP7278	BP7278	BP7278	BP7278	BP7278	BP7278



**EMERSON™**

Air Comfort Products

DIVISION OF EMERSON ELECTRIC CO.  
8100 W. Florissant • St. Louis, MO 63136