

Tablet series security and alarm device

User Manual

(Applied to PX-45B/PS-45B series)

陈 列 出 乎 您 想 像 More Than Display



Brain Power International
深圳市睿盈电子科技有限公司

Shenzhen Ring Electronic Technology Co.Ltd.,
Address: Block 5, Zone 1, Jia de ma ruan industrial park,
Pingshan new district, Shenzhen.
Telephone: 0755-89306464 89667005
Fax: 0755-83280153
Website: www.hemsut.com
National uniform service line: 4006-918-022

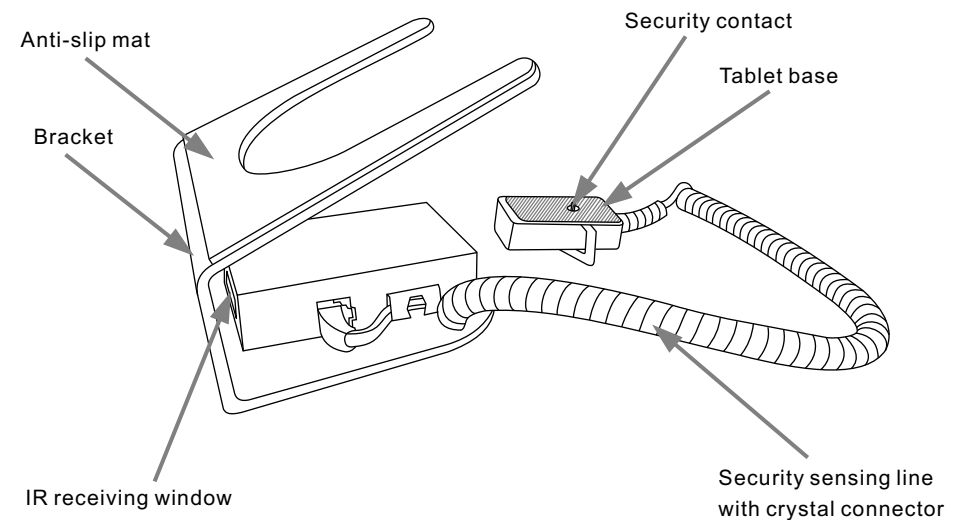
一 . Packing list

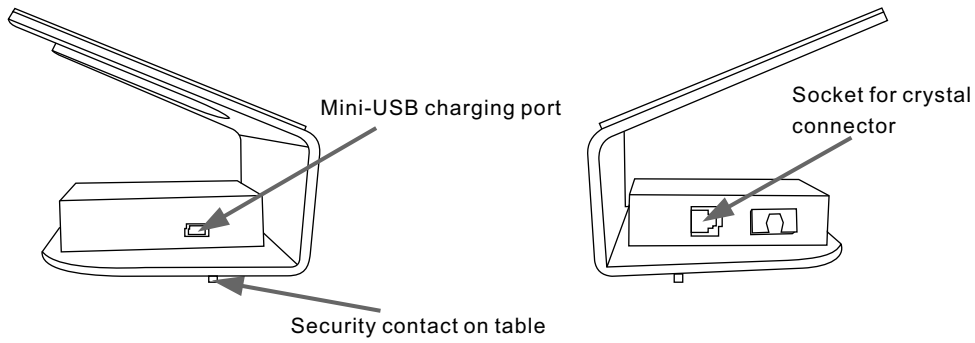
- 1 . Main unit(1 set)
- 2 . Charger(optional)
- 3 . Remote control(optional)
- 4 . User manual(1 pcs)

二 . Specification & parament

- 1 . Color:White/Black
- 2 . Material:Aluminium-magnesium alloy
- 3 . Angle: 25°
- 4 . Alarming:Yes
- 5 . Charging:Yes,built-in lithium battery
- 6 . Alarming sensing head:single contact
- 7 . Alarming volumn:105 decibel
- 8 . Battery Capacity:580MA
- 9 . Charging voltage:DC 5V
- 10 . Charging current:500MA

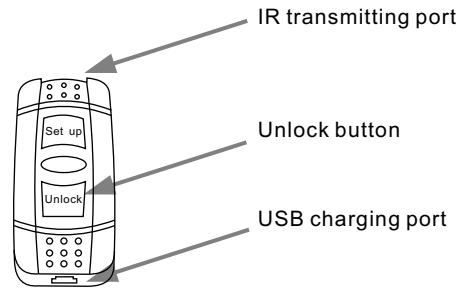
三 . Description





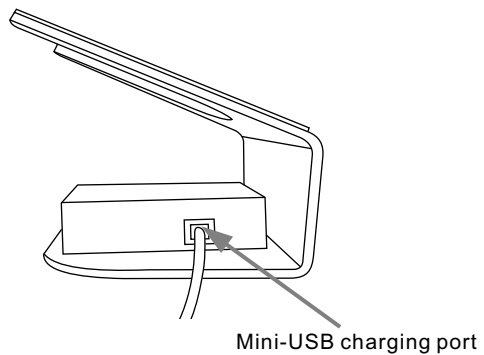
四 . Function for Remote control

While pushing the "Unlock" button on the remote control, the red LED of the middle button is on, it means the remote control is workable; or else, it means the remote control needs charging.



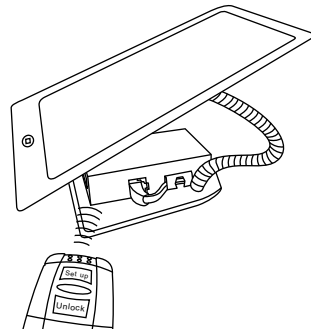
Instruction about charging

While battery is low, the light on main box turns red. Please charge the main unit via connecting the Mini-USB cable to USB host on the side



Instruction about the removal of defense

While alarming, the light on receiving window turns green. Please push and hold "Unlock" button about 1~2 seconds on the remote control toward IR receiving window for removing alarming



五 . Installation

