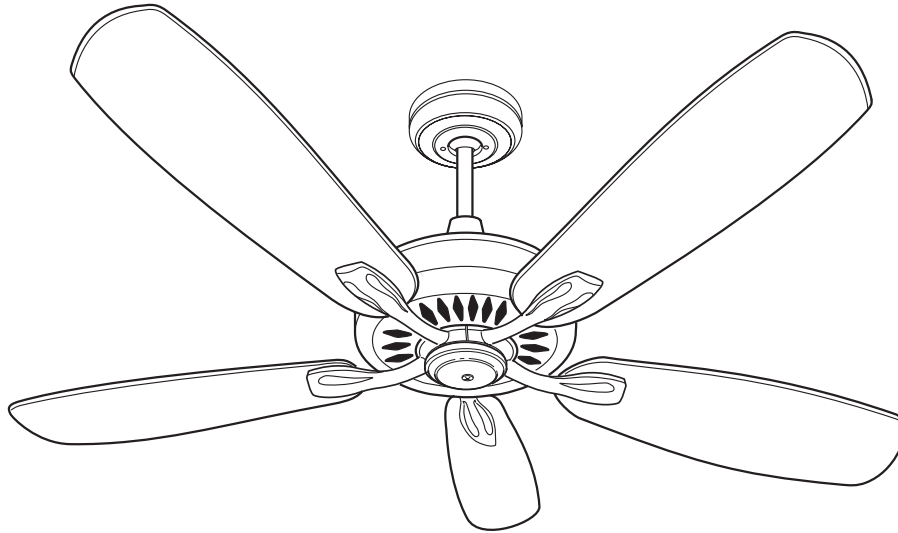


READ AND SAVE THESE INSTRUCTIONS



EMERSON™

AVANT ECO™

Ceiling Fan Owner's Manual

Model Numbers

CF921BS00

CF921CK00

CF921GES00

CF921ORB00

Net Weight: **18.7** Lbs.



**54", 60" or 72" Fan Blades
Not Included**

⚠ WARNING

WARNING: To avoid fire, shock, and serious personal injury, follow these instructions.

Safety Instructions

1. Read your owner's manual carefully and keep it for future reference.
2. Before servicing or cleaning unit, switch power off at service panel and lock service panel disconnecting means to prevent power from being switched on accidentally. When the service disconnecting means cannot be locked, securely fasten a warning device, such as a tag, to the service panel.
3. Be careful of the fan and blades when cleaning, painting, or working near the fan. Always turn off the power to the ceiling fan before servicing.
4. Do not put anything into the fan blades while they are turning.
5. Do not operate reversing switch until fan blades have come to a complete stop.

Additional Safety Instructions for Installation

1. To avoid possible shock, be sure electricity is turned off at the fuse box before wiring, and do not operate fan without blades.
2. All wiring must be in accordance with the National Electrical Codes "ANSI/NFPA 70-2008" and Local Electrical Codes. Use the National Electrical Code if Local Codes do not exist. The ceiling fan must be grounded as a precaution against possible electrical shock. Electrical installation should be made or approved by a licensed electrician.
3. The outlet box and joist must be securely mounted and capable of reliably supporting at least 50 pounds. Use only U.L. outlet boxes listed as "Acceptable for Fan Support of 22.7 kg. (50 lbs.) or less", and use the mounting screws provided with the outlet box. Most outlet boxes commonly used for support of light fixtures are not acceptable for fan support and may need to be replaced. Consult a qualified electrician if in doubt.
4. The downrod furnished with the fan provides the minimum recommended floor to fan blade clearance for an 8 foot ceiling.
5. The fan must be mounted with the fan blades at least 7 feet from the floor to prevent accidental contact with the fan blades.
6. Follow the recommended instructions for the proper method of wiring your ceiling fan. If you do not know enough about electrical wiring, have your fan installed by a licensed electrician.

NOTE: All setscrews must be checked and re-tightened where necessary before installation.

NOTE: This fan is suitable for use with solid-state speed controls.

WARNING: To reduce the risk of fire or electric shock, this fan should only be used with fan speed control, Model No. FR-7861LMBG manufactured by Rhine Electric Co., Ltd.

WARNING: To avoid fire, shock or injury, do not use an Emerson or any other brand of control not specifically approved for this fan.

WARNING: This product is designed to use only those parts supplied with this product and/or any accessories designated specifically for use with this product by Emerson Electric Co. Substitution of parts or accessories not designated for use with this product by Emerson Electric Co. could result in personal injury or property damage.

WARNING: To reduce the risk of personal injury, do not bend the blade flange when installing the blade flanges, balancing the blades or cleaning the fan. Do not insert foreign objects in between rotating fan blades.

WARNING: To reduce the risk of electrical shock, this fan must be installed with an isolating wall control/switch.

DATE CODE: _____

The date code of this fan may be found on the box, stamped in ink on a white label. You should record this data above and keep it in a safe place for future use.

EMERSON QUICK START GUIDE

The Quick Start Guide covers the installation instructions common for ceiling fan operations. If additional assistance with wiring, alternate hanging systems, or lighting options, proceed to the complete instructions of this Owner's Manual.

The Quick Start Guide sections include page numbers to correspond with the appropriate sections of the Owner's Manual for detailed instructions.

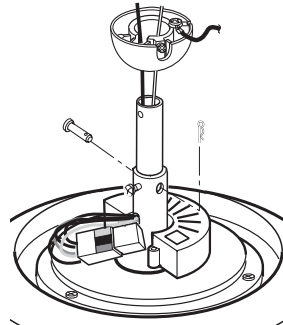
* See Unpacking Instructions for a complete list of parts for installation.

⚠ WARNING

To reduce the risk of fire, electric shock, or personal injury, mount fan to outlet box marked "Acceptable for Fan Support of 22.7 kg. (50 lbs.) or less", and use screws supplied with outlet box. Most outlet boxes commonly used for support of light fixtures are not acceptable for fan support and may need to be replaced. Consult a qualified electrician if in doubt.

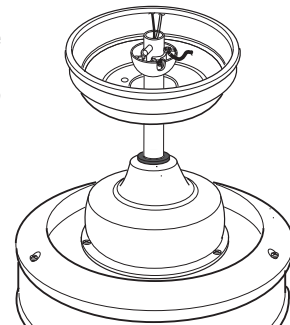
Installation of Downrod (page 6)

1. Remove the hanger ball from the downrod.
2. Install the downrod to the motor coupling using the clevis pin and hairpin clip.
3. Tighten the setscrews.



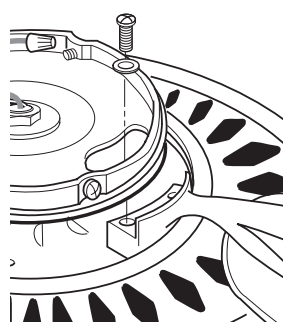
Installation of Ceiling Fan (page 7)

1. Install the coupler cover and ceiling cover onto the downrod.
2. Reinstall the hanger ball onto the downrod, place the pin into the hanger ball and tighten the setscrew.



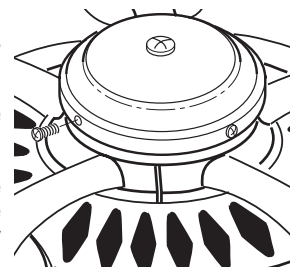
Installation of Blade Assembly (page 7)

1. Mount blade flanges to fan blades (sold separately) using four #10-24 x 12mm washer head blade screws.
2. Loosely attach one blade assembly to the motor hub using two 1/4-20 x 14mm captive screws with lock-washers. Make sure the screws are **NOT** tightened. Repeat this procedure for other four blade assemblies.



Installation of Switch Housing (page 8)

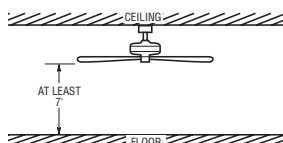
1. Remove the four switch housing mounting screws from the switch housing plate. Position the switch housing assembly on the switch housing plate and align the holes in the switch housing assembly with the holes in the plate. Secure the switch housing assembly by installing the four screws.



NOTE: Tuck in both the blue and white wires carefully under the switch housing cover

Hanging Your Ceiling Fan (page 9)

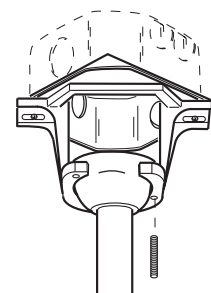
1. Disconnect electrical power to the branch circuit at the circuit breaker or fuse box before attempting to install the ceiling fan hanger bracket on the outlet box.



⚠ WARNING

Turning off wall switch is not sufficient. To avoid possible electrical shock, be sure electricity is turned off at the main fuse or circuit breaker box before wiring. All wiring must be in accordance with National and Local codes and the ceiling fan must be properly grounded as a precaution against possible electrical shock.

2. The fan must be hung with at least 7' of clearance from floor to ceiling.
3. Attach the hanger bracket to the outlet box.
4. Seat the hanger ball/downrod assembly on the hanger bracket.



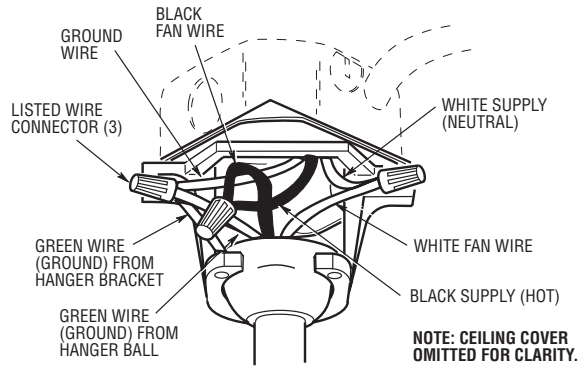
EMERSON QUICK START GUIDE

Wiring Ceiling Fan (page 10)

1. Connect the green grounding lead from the hanger ball and the green grounding lead from the hanger bracket to the grounding conductor of supply (this may be a bare wire or wire with green colored insulation). Securely connect wires with wire connectors supplied.

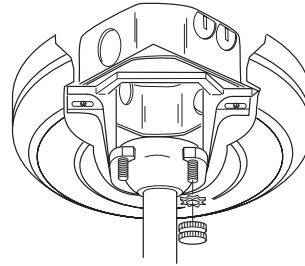
NOTE: If you are using an Emerson Light Fixture with your fan, see Light Fixture Owner's Manual for wiring.

2. Securely connect the fan motor white wire to the supply white (neutral) wire using wire connector supplied. Securely connect the fan motor black wire to the supply black (hot) wire using wire connector supplied.
3. After connections have been made, turn leads upward and carefully push leads into the outlet box, with the white and green leads on one side of the outlet box and the black on the other side of the outlet box.



Installation of Ceiling Cover (page 10)

1. Separate the grounded white neutral and green wires on one side of the outlet box from the ungrounded black wire on the other side of the outlet box
2. Insert the grounded green and white wires into one side of the outlet box, and the ungrounded black wire into the other side of the outlet box.
3. Screw the two threaded studs into the tapped holes in the hanger bracket.
4. Install the ceiling cover onto the hanger bracket, using the studs, lock washers and knurled nuts supplied.



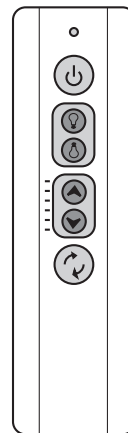
Programming and Operation of Remote Control (pages 11 and 12)

1. The receiver must be programmed within 2 minutes of restoring electricity to the fan. Program the receiver code by pushing and holding down the remote control OFF button for 3-5 seconds. The ceiling fan lights will blink when the receiver has completed programming.
2. If programming fails, shut off and turn on the electricity at the wall switch to reset the receiver. Repeat Step 1 above.
3. If programming continues to fail, change the remote code and repeat Steps 1 and 2 as necessary until the fan successfully completes the programming procedure.

NOTE: Fan installation must be completed, including the installation of the fan blades, before testing the remote control.

4. Your SR600 Fan/Light remote control has full control of your fan speed, air flow direction and light intensity.

* For additional installation review full instructions on page 12.



This Manual Is Designed to Make it as Easy as Possible for You to Assemble, Install, Operate and Maintain Your Ceiling Fan

Tools Needed for Assembly

One Phillips head screwdriver One stepladder
One 1/4" blade screwdriver One wire stripper

Installed Wire Length

Up to 50 ft.
50-100 ft.

Wire Size A.W.G.

14
12

MATERIALS

Wiring outlet box and box connectors must be of type required by the local code. The minimum wire would be a 3-conductor (2-wire with ground) of the following size:

⚠ WARNING

Before assembly your ceiling fan, refer to section on proper method of wiring your fan (page 10). If you feel you do not have enough wiring knowledge or experience, have your fan installed by a licensed electrician.

Unpacking Instructions

⚠ WARNING

Do not install or use fan if any part is damaged or missing. Call Toll-Free:

1-800-654-3545

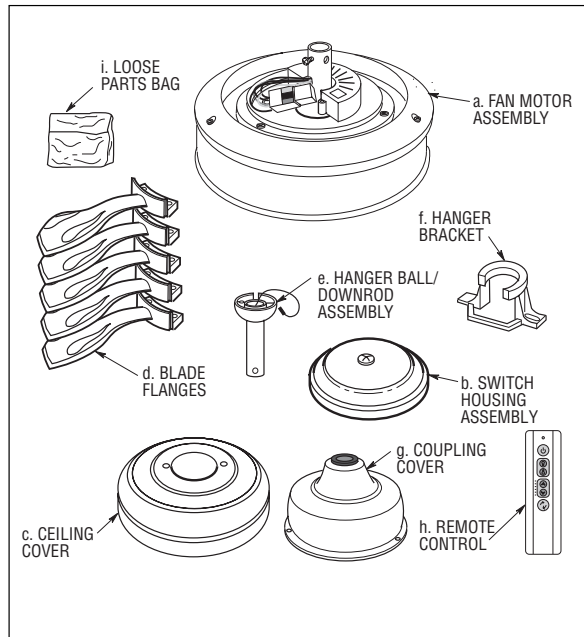
⚠ WARNING

This product is designed to use only those parts supplied with this product and/or any accessories designated specifically for use with this product by Emerson Electric Co. Substitution of parts or accessories not designated for use with this product by Emerson Electric Co. could result in personal injury or property damage.

1. Check to see that you have received the following parts:

NOTE: If you are uncertain of part description, refer to exploded view illustration.

- a. Fan motor assembly
- b. One switch housing assembly
- c. One ceiling cover
- d. Five blade flanges
- e. One hanger ball/downrod assembly
- f. One hanger bracket
- g. One coupling cover
- h. One remote control
- i. One loose parts bag containing:
 1. Twenty-one #10-24 x 12mm washer head blade screws
 2. One 1/4-20 x 14 captive screw with lockwasher
 3. One #8-32 x 8mm flat head screw
 4. One #8-32 x 8mm pan head screw
 5. Three wire connectors
 6. Two threaded studs
 7. Two knurled knobs
 8. Two lockwashers
 9. One clevis pin
 10. One hairpin clip
 11. One balancing kit



Electrical Requirements

Your new ceiling fan will require a grounded electrical supply line of 120 volts AC, 60 Hz, 15 amp circuit. The outlet box must be securely anchored and capable of withstanding a load of at least 50 pounds.

⚠ WARNING

To reduce the risk of fire, electrical shock, or personal injury, mount fan to outlet box marked "Acceptable for Fan Support of 22.7 kg. (50 lbs.) or less", and use screws supplied with outlet box. Most outlet boxes commonly used for support of light fixtures are not acceptable for fan support and may need to be replaced. Consult a qualified electrician if in doubt.

If your fan is to replace an existing ceiling light fixture, turn electricity off at the main fuse box at this time and remove the existing light fixture.

⚠ WARNING

Turning off wall switch is not sufficient. To avoid possible electrical shock, be sure electricity is turned off at the main fuse box before wiring. All wiring must be in accordance with National and Local codes and the ceiling fan must be properly grounded as a precaution against possible electrical shock.

⚠ WARNING

To avoid fire or shock, follow all wiring instructions carefully. Any electrical work not described in these instructions should be done or approved by a licensed electrician.

How to Put Your Ceiling Fan Together

1. Remove the hanger ball by loosening the setscrew in the hanger ball until the ball falls freely down the downrod (Figure 1). Remove the pin from the downrod, then remove the hanger ball. Retain the pin and hanger ball for reinstallation in Step 4.
2. Separate, untwist and unkink the two 80" motor leads. Route the motor lead wires through the downrod. Remove the upper setscrew from the motor coupling. Align the clevis pin holes in the downrod with the holes in the motor coupling. Install the clevis pin and secure with the hairpin clip (Figure 2). The clevis pin must go through the holes in the motor coupling and the holes in the downrod. Be sure to push the straight leg of the hairpin clip through the hole near the end of the clevis pin until the curved portion of the hairpin clip snaps around the clevis pin. The hairpin clip must be properly installed to prevent the clevis pin from working loose. Pull on the downrod to make sure the clevis pin is properly installed. Reinstall the upper setscrew in the motor coupling. Check that the lower setscrew is tightened securely (Figure 2).

NOTE: The setscrews must be properly installed as described above, or fan wobble could result.

⚠ WARNING

It is critical that the clevis pin in the motor coupling is properly installed and the setscrews securely tightened. Failure to verify that the pin and setscrews are properly installed could result in the fan falling.

NOTE: If LKU100 is being assembled, see Page 13, "Optional Accent Light Kit Installation" of instruction procedures.

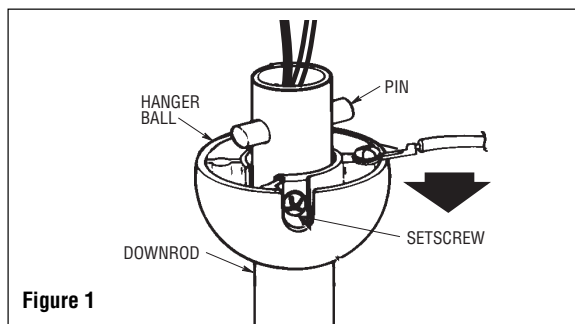


Figure 1

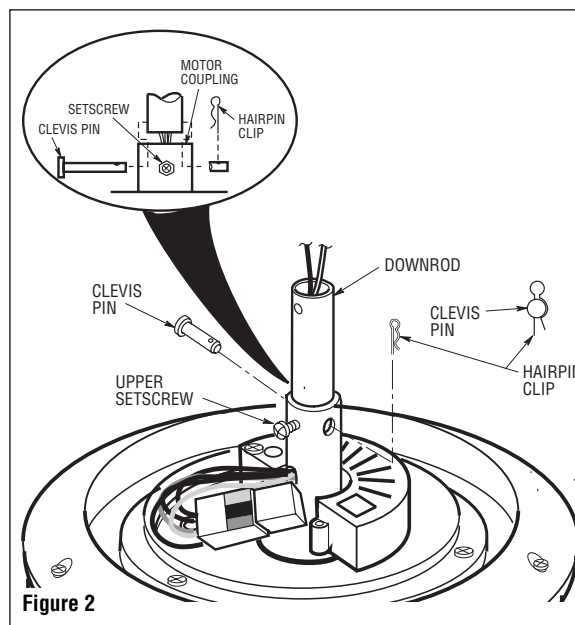


Figure 2

How to Put Your Ceiling Fan Together (continued)

3. Make sure the grommet is properly installed in the coupling cover, then slide the coupling cover on the downrod until it rests on the motor housing. Place the ceiling cover over the downrod. Be sure that the ceiling cover and the coupling cover are both oriented correctly (Figure 3).
4. Reinstall the hanger ball (Figure 3) on the downrod as follows. Route the two 80" motor leads through the hanger ball. Position the pin through the two holes in the downrod and align the hanger ball so the pin is captured in the groove in the top of the hanger ball. Pull the hanger ball up tight against the pin and securely tighten the setscrew in the hanger ball. A loose setscrew could create fan wobble.

WARNING

It is critical that the pin in the hanger ball is properly installed and the setscrew securely tightened. Failure to verify that the pin and setscrew are properly installed could result in the fan falling.

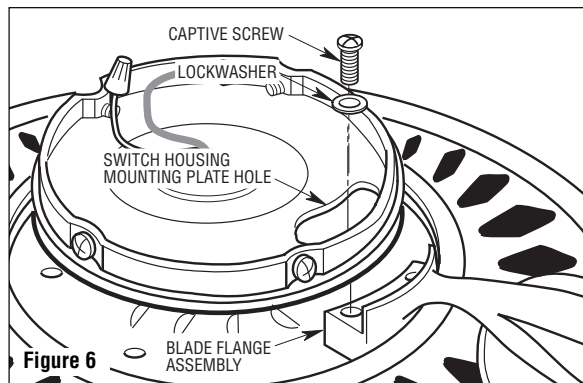
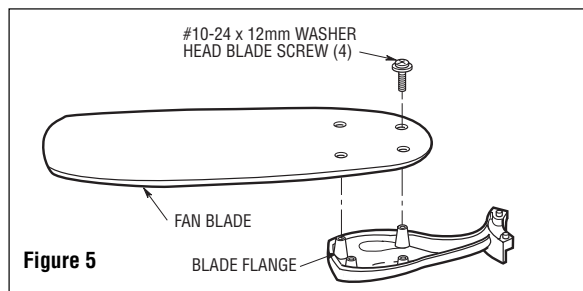
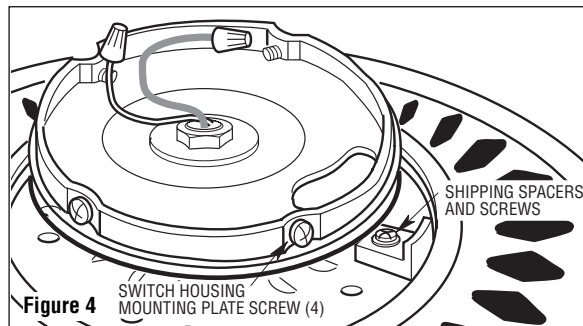
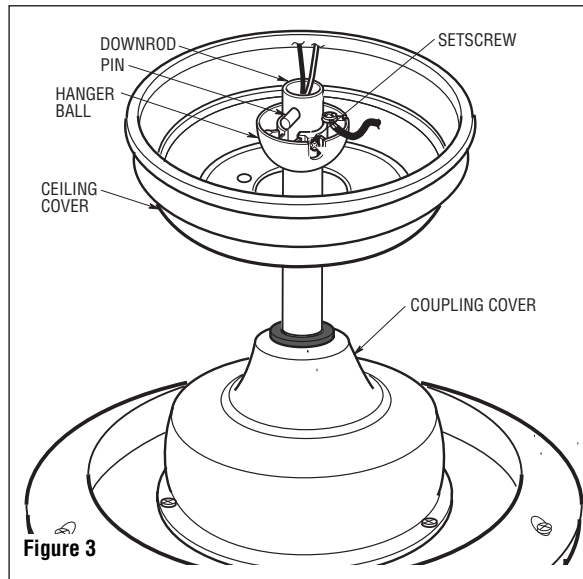
5. The fan comes with black and white leads that are 80" long. Before installing fan, measure up approximately 6 to 9-inches above top of hanger ball/downrod assembly. Cut off excess leads and strip back insulation 1/2-inch from end of leads.
6. Carefully turn the partially assembled ceiling fan over and set it on the shipping styrofoam for blade installation.
7. Remove the shipping spacers and the spacer attachment screws from the motor before installation of blade assemblies. Discard the spacers and spacer screws (Figure 4).
8. Mount blade flanges to fan blades (sold separately) using four #10-24 x 12mm washer head blade screws (Figure 5).

NOTE: Some accessory blades available are supplied with shorter screws. These shorter screws **MUST** be used to assemble the blades to flanges.

NOTE: Take care not to scratch fan housing when installing blades.

NOTE: Remove and discard the four shipping spacers and screws from the motor hub.

9. Loosely attach one blade assembly to the motor hub using the two 1/4-20 x 14 captive screws with lockwashers. Make sure the screws are **NOT** tightened. (Figure 6.) Repeat this procedure for other four blade assemblies.
10. The blade flanges have an interlocking feature that must be fully engaged before tightening the screw. Make sure all the flanges are properly engaged and then tighten the flange screws. If one of the flanges does not seat properly on the motor hub, loosen the adjacent flange screws, re-engage and reset the flanges, then tighten the screws again.



How to Put Your Ceiling Fan Together (continued)

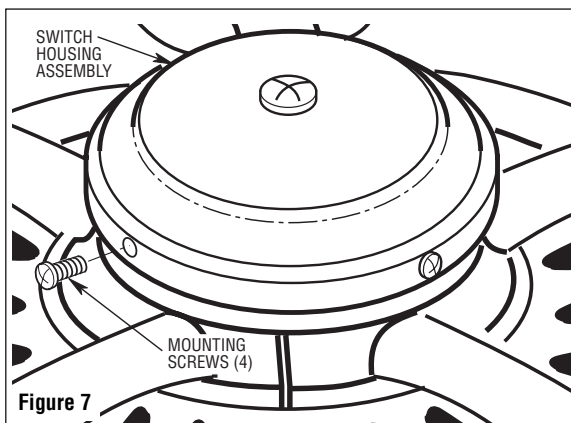
11. Remove the four switch housing mounting screws (Figure 7) from the switch housing plate. Position the switch housing assembly on the switch housing plate and align the holes in the switch housing assembly with the holes in the plate. Secure the switch housing assembly by installing the four screws (Figure 7).

NOTE: Tuck in both the blue and white wires carefully under the switch housing cover

⚠ WARNING

To reduce the risk of personal injury, do not bend the blade flange when installing the blade flanges, balancing the blades or cleaning the fan. Do not insert foreign objects in between rotating fan blades.

12. You have now completed the assembly of your new ceiling fan. You can now proceed with hanging and wiring your fan.



How to Hang Your Ceiling Fan

⚠ WARNING

The fan must be hung with at least 7' of clearance from floor to blades (Figure 8).

⚠ WARNING

The outlet box and joist must be securely mounted and capable of supporting at least 50 lbs. Use only a U.L. outlet box listed as "Acceptable for Fan Support of 22.7 kg. (50 lbs.) or less".

⚠ WARNING

To reduce the risk of fire, electrical shock, or personal injury, mount fan to outlet box marked "Acceptable for Fan Support of 22.7 kg. (50 lbs.) or less", and use screws supplied with outlet box. Most outlet boxes commonly used for support of light fixtures are not acceptable for fan support and may need to be replaced. Consult a qualified electrician if in doubt.

1. Securely attach the hanger bracket to the outlet box using the two screws supplied with the outlet box. (Figure 9.)
2. Carefully lift the fan and seat the hanger ball/downrod assembly on the hanger bracket that was just attached to the outlet box (Figure 9). Be sure the groove in the ball is lined up with tab on the hanger bracket (Figure 10).

⚠ WARNING

Hanger bracket must seat firmly against outlet box. If the outlet box is recessed, remove wall board until bracket contacts box. If bracket and/or outlet box are not securely attached, the fan could wobble or fall.

⚠ WARNING

Failure to seat tab in groove could cause damage to electrical wires and possible shock or fire hazard.

⚠ WARNING

To avoid possible fire or shock, do not pinch wires between the hanger ball/downrod assembly and hanger bracket.

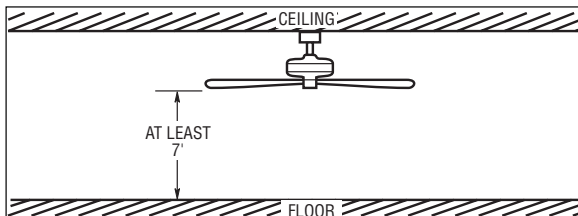


Figure 8

NOTE: CEILING COVER OMITTED FOR CLARITY.

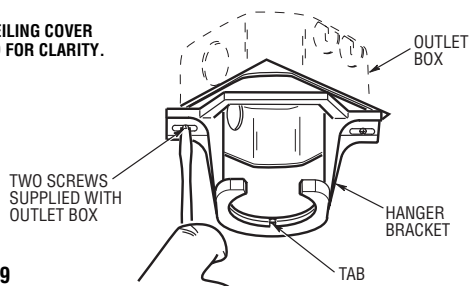


Figure 9

NOTE: CEILING COVER, SUPPLY WIRES AND FAN WIRES OMITTED FOR CLARITY.

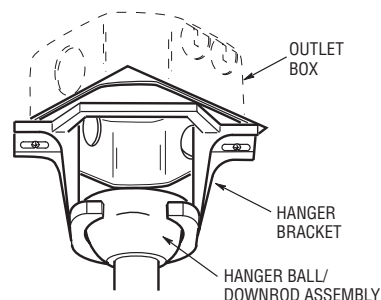


Figure 10

How to Wire Your Ceiling Fan

If you feel that you do not have enough electrical wiring knowledge or experience, have your fan installed by a licensed electrician.

WARNING

To avoid possible electrical shock, be sure electricity is turned off at the main fuse box before wiring.

NOTE: If you are not sure if the outlet box is grounded, contact a licensed electrician for advice, as it must be grounded for safe operation.

1. Connect the green grounding lead from the hanger ball and the green grounding lead from the hanger bracket to the grounding conductor of supply (this may be a bare wire or wire with green colored insulation). Securely connect wires with wire connectors supplied.

NOTE: If you are using an Emerson Light Fixture with your fan, see Light Fixture Owner's Manual for wiring.

2. Securely connect the fan motor white wire to the supply white (neutral) wire using wire connector supplied (Figure 11). Securely connect the fan motor black wire to the supply black (hot) wire using wire connector supplied (Figure 11). After connections have been made, turn leads upward and carefully push leads into the outlet box, with the white and green leads on one side of the outlet box and the black leads on the other side of the outlet box.

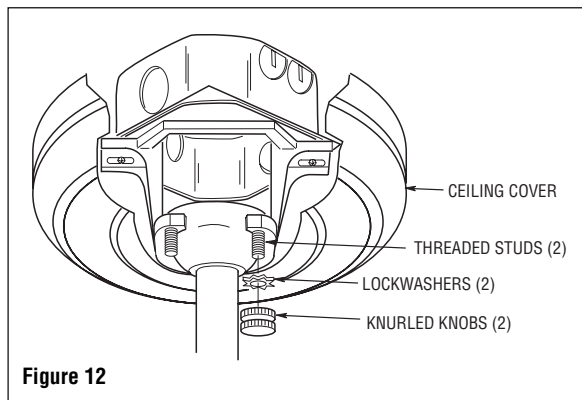
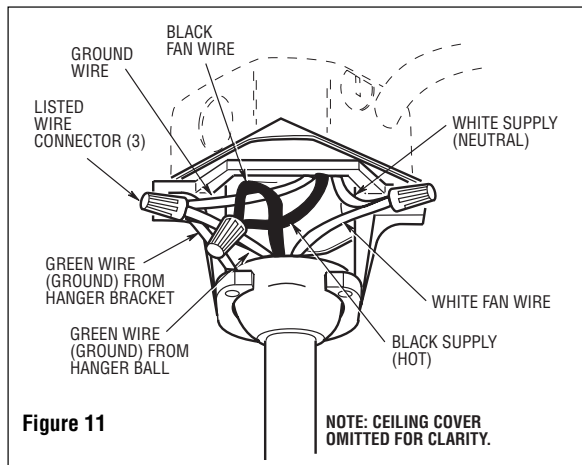
WARNING

Check to see that all connections are tight, including ground, and that no bare wire is visible at the wire connectors, except for the ground wire. Do not operate fan until blades are in place. Noise and fan damage could result.

3. Screw the two threaded studs (supplied) into the tapped holes in the hanger bracket.
4. Lift the ceiling cover up to the threaded studs and turn until studs protrude through the holes in the ceiling cover (Figure 12).
5. Secure the ceiling cover in place by sliding lockwashers over the threaded studs and installing the two knurled knobs (supplied). (Figure 12). Tighten the knurled knobs securely until the ceiling cover fits snugly against the ceiling and the hole in the ceiling cover is clear of the downrod. Your fan is now wired to be turned on and off from the fan switch.

WARNING

To avoid possible fire or shock, make sure that the electrical wires are completely inside the outlet box and not pinched between the ceiling cover and the ceiling.



Installation of Remote Control Battery

Your Emerson Ceiling Fan/Light SR600 Remote Control consists of hand-held transmitter and a receiver which is mounted under the fan ceiling cover. The remote control is designed to separately control your ceiling fan speed, airflow direction and light intensity.

The remote control transmitter is powered by two AAA alkaline batteries (included). To prevent possible damage if the batteries should leak, be sure to remove the batteries when the control is not to be used for an extended period of time.

Code switches in the transmitter and receiver may be set in 32 different positions. If your fan and light go on and off without using your control, you may be getting interference from other remote units such as garage door openers, car alarms or security systems. To remedy this situations, simply change the combination code in your transmitter and follow procedures for Setting Operating Frequency of Remote Control.

Preset Memory Feature

Your Emerson receiver is equipped with a preset memory feature. If the AC supply to the receiver is powered through a wall switch, when the switch is turned OFF, the control will remember the light intensity and fan speed. When the switch is turned back ON the light and fan will resume operation as they were prior to the switch being turned OFF.

1. Remove the battery cover by pressing firmly below the arrow and sliding the cover off the control (Figure 13).
2. Install two AAA alkaline batteries and reinstall the battery cover.

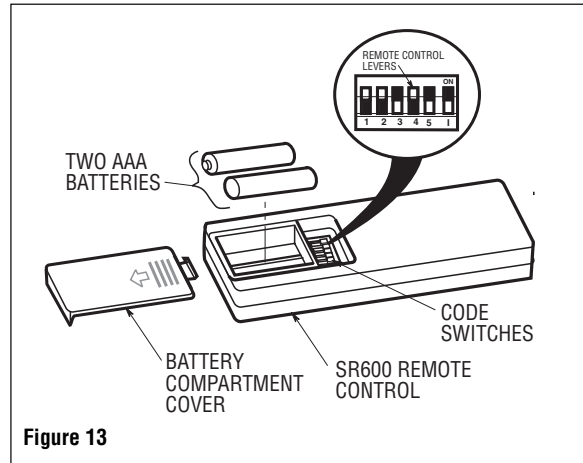


Figure 13

Setting Operating Frequency of Remote Control

Your remote control has code switches which must be set in one of 32 possible code combinations. The five levers (numbered 1, 2, 3, 4, and 5) on the switches are factory-set in the ON (up) position. Change the switch settings as follows (Figure 14).

1. Slide the five switch levers in the remote control to your choice of ON (up) or down positions. Use a ball-point pen or small screwdriver and slide the levers firmly up and down.
2. When power is restored, push and hold the fan OFF button (⏻) for 3 to 5 seconds to set the code in the receiver.

NOTE: The remote/receiver must be programmed within 2 minutes of restoring electricity to the fan.

3. The ceiling fan lights will blink when the receiver has completed programming.
4. If programming fails, shut off and turn on the electricity at the wall switch to reset the receiver. Repeat Step 2 above.
5. If programming continues to fail, change the remote code and repeat Steps 2 and 5 as necessary until the fan successfully completes the programming procedure.

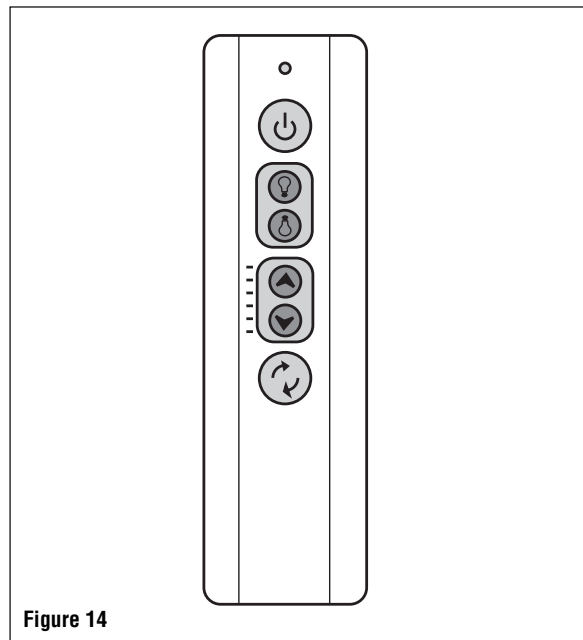


Figure 14

Operation of Your Remote Control

⚠ WARNING

Fan installation must be completed, including the installation of the fan blades, before testing the remote control.

Your SR600 Fan/Light remote control (Figure 18) has full control of your fan speed, air flow direction and light intensity.

1. If airflow is desired in the opposite direction, press the (↺) button on the wall control. The fan must be operating at any speed for the reverse button to function. The blades will turn in the opposite direction and reverse the airflow.
2. To set the desired fan speed, press the (▼) button to decrease the speed and the (▲) to increase the speed. The LED display will light up to indicate the new speed selected.
3. To turn the downlight on, press and release the (Ⓛ) button. The light will turn on at the light intensity previously selected.
4. To turn the uplight on, press and release the (Ⓧ) button. The light will turn on at the light intensity previously selected.

5. To vary the intensity of the light, hold the DN or UP button down until the desired light intensity is reached, then release the button.
6. The sixth switch marked ON and I is for dimming control of lights: Set switch to ON to allow for dimming of the lights. Set switch to I for no dimming of the lights such as for fluorescent bulbs.

Installation of Storage Bracket for SR600 Remote Control

A storage bracket is provided for holding your remote control when not in use. If you desire to use the bracket, install it on a wall that is away from excess heat or humidity (Figure 15)

**TO INSTALL BRACKET TO WALL:
SLIDE THE COVER UP TO EXPOSE THE SCREW
HOLES FOR INSTALLATION**

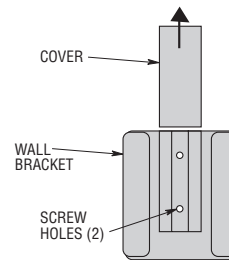


Figure 15

High Speed Conditioning of Fan Control

IMPORTANT: The following steps must be completed immediately following the frequency programming of the ceiling fan.

1. Press the (▲) speed button until all 6 LED indicators are lit. Let the fan operate on high speed for 2 minutes without interruption.
2. After 2 minutes, press the reverse (↺) button and allow the fan to operate uninterrupted for 2 minutes at high speed.
3. High speed conditioning is now complete.

Optional Accent Kit Installation

CAUTION: To reduce the risk of electric shock, disconnect the electrical supply circuit to the fan before installing light kit assembly.

1. Remove the three coupling cover screws and slide the coupling cover up the downrod for installation of light kit assembly (Figure 16). Retain the three screws for later installation of coupling cover.
2. Position the light kit assembly so that the opening of the light kit assembly slides through the downrod. Align the mounting holes of the light kit assembly to the motor assembly (Figure 17).

NOTE: Be sure the light kit assembly connector is located close to the motor assembly connector for ease of installation.

3. Install the light kit assembly to the motor assembly using three light kit assembly mounting screws (Figure 17).
4. Securely connect the light kit assembly connector to the motor assembly connector (Figure 18).
5. Screw the four 25-watt candelabra base bulbs (supplied) into the light kit assembly sockets (Figure 18).

WARNING

To avoid possible fire hazard, do not exceed four 25-watt candelabra base light bulbs.

6. Carefully tuck all wiring and wire connectors close to the downrod and slide the coupling cover over the wires.

NOTE: Be sure light kit assembly wires are positioned in the dimpled wireway of the upper housing to avoid pinching of the wires during installation of coupling cover.

CAUTION: Before installing and tightening the screws, be sure there are no wires pinched between the light kit assembly/motor assembly and coupling cover.

7. Reinstall the three coupling cover screws to secure the coupling cover (Figure 19).

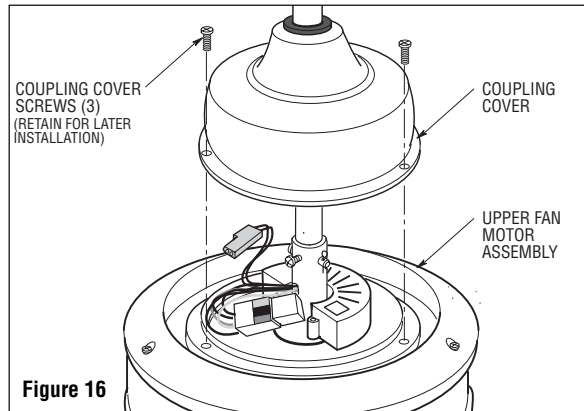


Figure 16

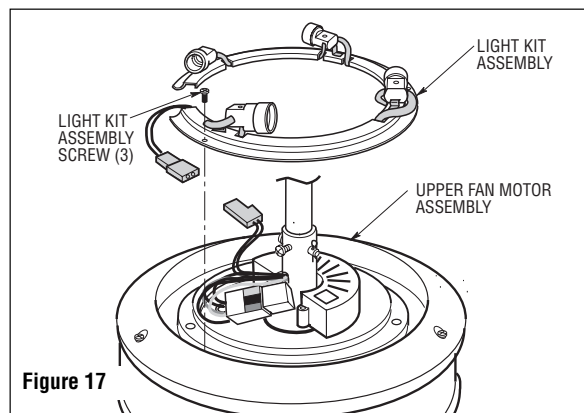


Figure 17

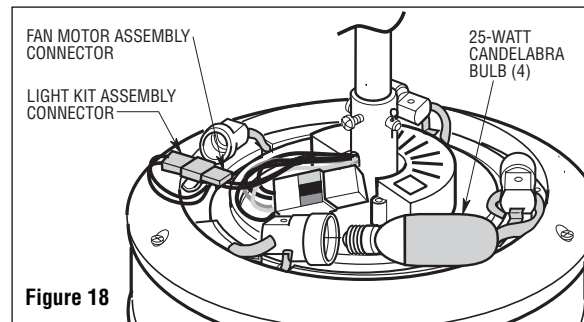


Figure 18

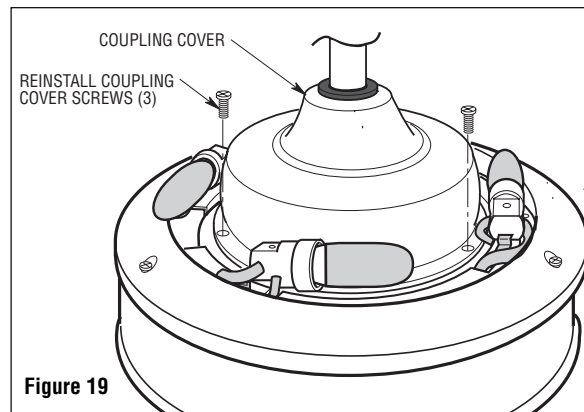


Figure 19

Maintenance

IMPORTANT CARE INSTRUCTIONS for your Ceiling Fan

Periodic cleaning of your new ceiling fan is the only maintenance that is needed.

When cleaning, use only a soft brush or lint free cloth to avoid scratching the finish.

Abrasive cleaning agents are not required and should be avoided to prevent damage to finish.

WARNING

Do not use water when cleaning your ceiling fan. It could damage the motor or the blades and create the possibility of an electrical shock.

Accessories

1. Ceiling Fan Light Kits (see store or catalog).
2. Ceiling Fan/Light Controls (see store or catalog).
3. Downrod Extension Kits (see store or catalog).
4. Ceiling Fan Blades (see store or catalog).

WARNING

The use of any other control not specifically approved for this fan could result in fire, shock and personal injury.

WARNING

This product is designed to use only those parts supplied with this product and/or any accessories designated specifically for use with this product by Emerson Electric Co. Substitution of parts or accessories not designated for use with this product by Emerson Electric Co. could result in personal injury or property damage.

INSTRUCTION TO THE USER (if device contains a digital device)

This equipment has been tested and found to comply with the limits for a class B digital device, pursuant to part 15 of the FCC Rules. These limits are designed to provide reasonable protection against harmful interference in a residential installation. This equipment generates, uses and can radiate radio frequency energy and if not installed and used in accordance with the instructions, may cause harmful interference to radio communications. However, there is no guarantee that interference will not occur in a particular installation. If this equipment does cause harmful interference to radio or television reception, which can be determined by turning the equipment off and on, the user is encouraged to try to correct the interference by one or more of the following measures:

- Reorient or relocate the receiving antenna.
- Increase the separation between the equipment and receiver.
- Connect the equipment into an outlet on a circuit different from that to which the receiver is connected.
- Consult the dealer or an experienced radio/TV technician for help.

This equipment has been certified to comply with the limits for a class B computing device, pursuant to FCC Rules. In order to maintain compliance with FCC regulations, shielded cables must be used with this equipment. Operation with non-approved equipment or unshielded cables is likely to result in interference to radio and TV reception. The user is cautioned that changes and modifications made to the equipment without the approval of manufacturer could void the user's authority to operate this equipment.

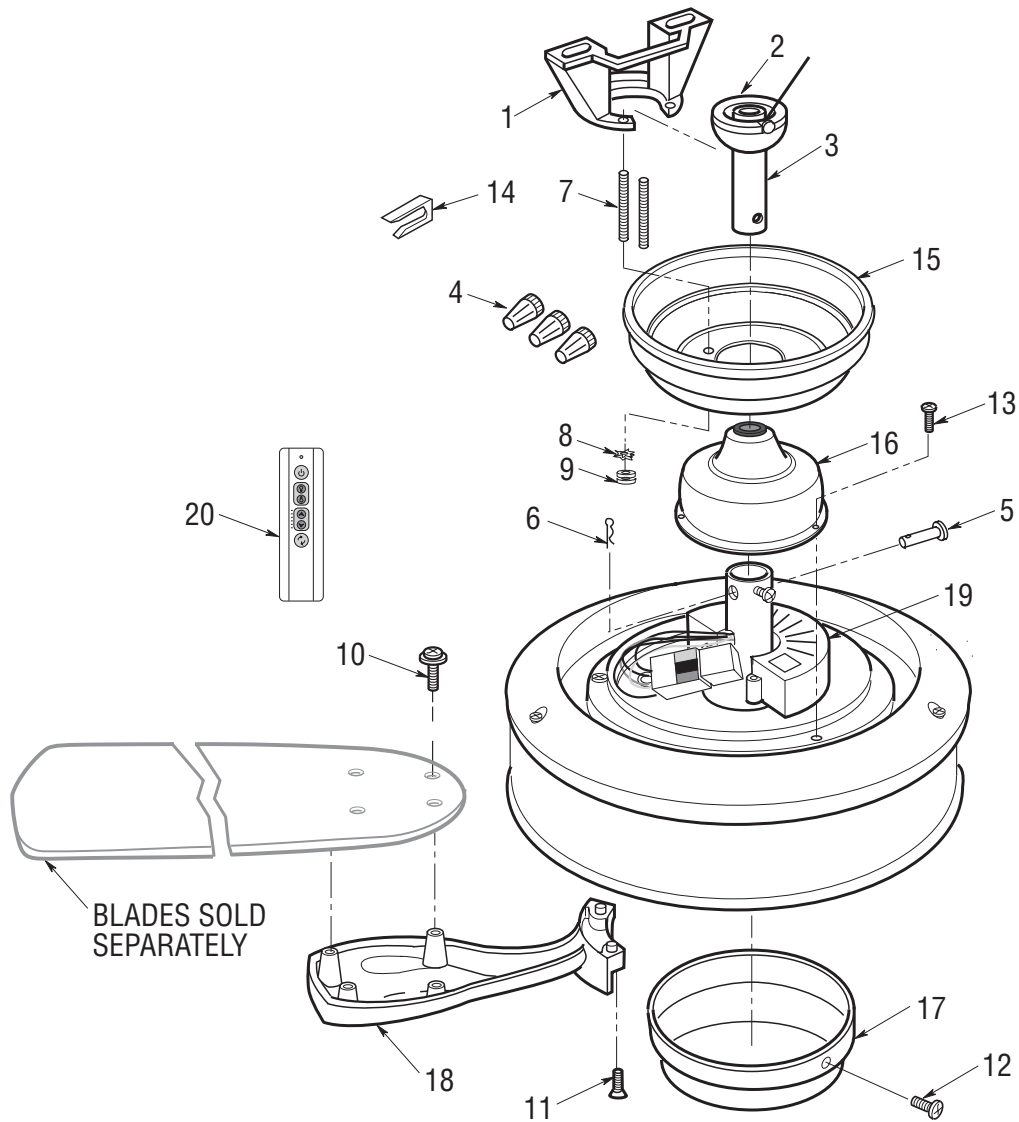
This Class B digital apparatus meets all requirements of the Canadian Interference-Causing Equipment Regulations.

Trouble Shooting

⚠ WARNING: For your own safety, turn off power at fuse box or circuit breaker before trouble shooting your fan.

TROUBLE	PROBABLE CAUSE	SUGGESTED REMEDY
1. Fan will not start.	<ol style="list-style-type: none"> 1. Fuse or circuit breaker blown. 2. Loose power line connections to the fan, or loose switch wire connections in the switch housing. 3. Dead battery in remote control transmitter. 4. Code switches in remote control receiver and transmitter are not in same positions. 	<ol style="list-style-type: none"> 1. Check main and branch circuit fuses or circuit breakers. 2. Check line wire connections to fan and switch wire connections in the switch housing. ⚠ WARNING: Make sure main power is turned OFF. 3. Replace battery (red indicator light on transmitter should light when any button is pressed). 4. Check that code switches are in same positions. Reset if necessary.
2. Fan sounds noisy.	<ol style="list-style-type: none"> 1. Blades not attached to fan. 2. Loose screws in motor housing. 3. Screws securing fan blade flanges to motor hub are loose. 4. Wire connectors inside switch housing rattling. 5. Screws holding blades to flanges are loose. 	<ol style="list-style-type: none"> 1. Attach blades to fan before operating. 2. Check to make sure all screws in motor housing are snug (not over-tight). 3. Check to make sure the screws which attach the fan flanges to the motor hub are tight. 4. Check to make sure wire connectors in switch housing are not rattling against each other or against the interior wall of the switch housing. ⚠ WARNING: Make sure main power is turned OFF. 5. Tighten screws securely.
3. Fan wobbles excessively.	<ol style="list-style-type: none"> 1. Setscrew in motor coupling is loose. 2. Setscrew in hanger ball/downrod assembly is loose. 3. Screws securing fan blade flanges to motor are loose. 4. Fan blade flanges not seated properly. 5. Hanger bracket and/or ceiling outlet box is not securely fastened. 6. Fan blades out of balance. 	<ol style="list-style-type: none"> 1. Tighten both setscrews securely in the motor coupling. 2. Tighten the setscrew in the hanger ball/downrod assembly. 3. Check to be sure screws which attach the fan blade flanges to the motor are tight. 4. Check to be sure the fan blade flanges seat firmly and uniformly to the surface of the motor. If flanges are seated incorrectly, loosen the flange screws and retighten according to the procedure in the section on "How to Put Your Ceiling Fan Together". 5. Tighten the hanger bracket screws to the outlet box, and/or secure outlet box. 6. Interchanging an adjacent (side-by-side) blade pair can redistribute the weight and result in smoother operation.

Repair Parts



Repair Parts Listing

Key No.	Description	Model Numbers			
		CF921BS00	CF921CK00	CF921GES00	CF921ORB00
*	Hanger Ball Assembly, Consisting of:	761655-17	761655-23	761655-35	761655-32
1	Hanger Bracket	—	—	—	—
2	Hanger Ball	—	—	—	—
3	Downrod (4.5")	—	—	—	—
*	Parts Bag Containing:	764124-1	764124-1	764124	764124
4	Wire Connector (3)	—	—	—	—
5	Pin, Clevis (1)	—	—	—	—
6	Clip, Hairpin (1)	—	—	—	—
7	Threaded Stud, #8-32 x 1-1/4" (2)	—	—	—	—
8	Lockwasher, External Tooth #8 (2)	—	—	—	—
9	Knurled Knob, #8-32 (2)	—	—	—	—
10	Screw, Washer Head, #10-24 x 12mm (21)	—	—	—	—
11	Screw, Pan Head, 1/4-20 x 14mm with Lockwasher (1)	—	—	—	—
12	Screw, Flat Head, #8-32 x 8mm (1)	—	—	—	—
13	Screw, Pan Head, #8-32 x 8mm (1)	—	—	—	—
14	Balancing Kit (1)	—	—	—	—
15	Canopy, Ceiling (1)	761620-BS	761620-CK	761620-GES	761620-ORB
16	Motor Coupling Cover (1)	764118-BS	764118-CK	764118-GES	764118-ORB
17	Switch Housing (1)	764116-BS	764116-CK	764116-GES	764116-ORB
18	Flange Assembly (set of 5)	764134-BS	764134-CK	764134-GES	764134-ORB
19	Motor Control, Receiver	764125	764125	764125	764125
20	Control, Transmitter SR600 Remote	SR600	SR600	SR600	SR600
—	Owner's Manual	BP7433	BP7433	BP7433	BP7433

Before discarding packaging material, be certain all parts have been removed.

HOW TO ORDER REPAIR PARTS

WHEN ORDERING REPAIR PARTS, ALWAYS GIVE THE FOLLOWING INFORMATION:

• PART NUMBER • PART DESCRIPTION • NAME OF ITEM • MODEL NUMBER

For repair parts, phone 1-800-654-3545.

Notes

Notes

LIMITED WARRANTY

What The Warranty Covers:

This warranty covers the motor and the other components and accessories of your Emerson ceiling fan against all defects in workmanship and materials. You must be the original purchaser or user of the product to be covered.

What The Period Of Coverage Is:

As it applies to the motor, this warranty will last for the lifetime of your ceiling fan. All other components and accessories are covered by this warranty for one year from the date you purchased your ceiling fan. ANY IMPLIED WARRANTY OF MERCHANTABILITY OR FITNESS FOR A PARTICULAR PURPOSE, MADE WITH RESPECT TO COMPONENTS AND ACCESSORIES IS ALSO LIMITED TO ONE YEAR.

What Will Emerson Electric Co. Do To Correct Problems:

Emerson Electric Co. will replace a defective Emerson Air Comfort Ceiling Fan motor, blade, component or other accessory at no charge to you. If repair of the motor or blades is not practical or possible within a reasonable time and no replacement can be provided, Emerson will refund the actual purchase price of your fan. **WE WILL SHIP THE REPAIRED PRODUCT OR REPLACEMENT TO YOU AT NO CHARGE, BUT YOU ARE RESPONSIBLE FOR ALL COSTS OF REMOVAL, REINSTALLATION AND SHIPPING OF THE PRODUCT TO EMERSON ELECTRIC CO.**

How Can You Get Service:

YOU MUST HAVE PROOF OF YOUR PURCHASE OF THE CEILING FAN TO OBTAIN LIMITED WARRANTY SERVICE. KEEP YOUR RECEIPT OR OTHER PROOF OF PURCHASE. You can return the product to our factory or to your nearest authorized service center.

- To return the product to the factory, obtain a return authorization and service identification tag by writing to Air Comfort Products, Division of Emerson Electric Co., 8100 W. Florissant Ave., St. Louis, MO 63136. Include all model numbers shown on the product with your request.
- To return the product to an authorized service center, call 1-800-654-3545 for the address of the nearest authorized service center.

You will be responsible for all insurance, freight or other transportation charges to our factory or authorized service center. Your Emerson Air Comfort Ceiling Fan should be properly packed to avoid damage in transit since we will not be responsible for any such damage.

What Is Not Covered:

The glass globes and light bulbs of your ceiling fan are not covered by this warranty. This warranty also does not cover any defects, malfunctions or failures caused by:

- Repairs by persons not authorized by Emerson Electric Co.,
- Use of parts or accessories not authorized by Emerson Electric Co.,
- Mishandling, improper installation, modifications or damage to your ceiling fan while in your possession, or
- Unreasonable use, misuse, abuse, including failing to do reasonable and necessary maintenance, and normal wear and tear.

Additionally, this warranty and any implied warranty of merchantability or fitness for a particular purpose are voided when:

- The original purchaser or user ceases to own the product, or
- The fan is moved from its original point of installation.

This warranty is only valid within the 50 states of the United States and the District of Columbia. No other written or oral warranties apply, and no employee, agent, dealer or other person is authorized to give any warranties on behalf of Emerson Electric Co.

REPAIR, REPLACEMENT OR A REFUND ARE THE EXCLUSIVE REMEDIES AVAILABLE UNDER THIS WARRANTY AND EMERSON IS NOT RESPONSIBLE FOR DAMAGES OF ANY KIND, INCLUDING INCIDENTAL AND CONSEQUENTIAL DAMAGES. Incidental damages include but are not limited to such damages as loss of time and loss of use. Consequential damages include but are not limited to the cost of repairing or replacing other property which was damaged if this product does not work properly.

How State Law Relates To The Warranty:

Some states do not allow the exclusion or limitation of incidental or consequential damages so the above exclusion or limitation may not apply to you. This warranty gives you specific legal rights, and you may also have other rights which vary from state to state.



EMERSON

Air Comfort Products

DIVISION OF EMERSON ELECTRIC CO.
8100 W. Florissant • St. Louis, MO 63136