

Downflow Fan Heater Model FX 20VL



(IP22)

08/30041/1 Issue 1

Dimensions (millimetres)

Model(s) Specification

FX 20VL (Low Level) 1/2kw + Adjustable Thermostat (external by installer)

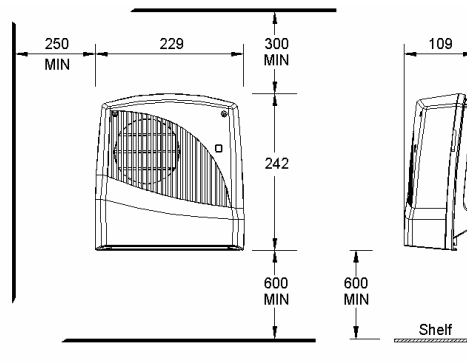


Fig. 1

IMPORTANT SAFETY ADVICE

WARNING - DO NOT USE THIS HEATER IN THE IMMEDIATE SURROUNDINGS OF A BATH, A SHOWER OR A SWIMMING POOL.

THIS APPLIANCE CARRIES A WARNING 'DO NOT COVER' TO ALERT THE USER TO THE RISK OF OVERHEATING THAT EXISTS IF THE APPLIANCE IS ACCIDENTALLY COVERED.

DO NOT COVER THE APPLIANCE or place material or garments on it, or obstruct the air circulation around this appliance, for example with curtains or furniture, as this could cause overheating and a fire risk.

DO NOT PLACE AEROSOLS OR OTHER CONTAINERS SUSCEPTIBLE TO HEAT IN THE DIRECT AIRFLOW FROM THE UNIT.

THIS HEATER MUST NOT BE LOCATED IMMEDIATELY BELOW A FIXED SOCKET OUTLET.

WARNING - DISCONNECT THE HEATER FROM THE ELECTRICITY SUPPLY BEFORE UNDERTAKING SERVICE OR REPAIR.

WARNING - If the appliance is fitted in a bathroom, a cable outlet will be necessary with the supply to the unit controlled by a double pole switch. The switch if inside the bathroom should be pull cord operated and if outside should be adjacent to the entrance door. The appliance must be mounted so that no part of it can be touched by any person using bath or shower.

THIS HEATER MUST NOT BE OPERATED WITHOUT THE COVER CORRECTLY IN POSITION.

SUPPLY CABLE IS NOT SUPPLIED WITH THIS APPLIANCE AND IT SHOULD THEREFORE BE INSTALLED BY A COMPETENT ELECTRICIAN IN ACCORDANCE WITH THE IEE REGULATIONS.

The Controls

The **cut-out** is a safety device which switches off the heater and fan if for any reason the appliance overheats. (see 'Safety')

The **thermal fuse link** is provided as an added safety feature, and operates to open circuit if there is abnormal overheating within the appliance. The operation of these safety devices is described under 'Safety'

This model is also fitted with an **adjustable thermostat** which can be adjusted by user. This has the following settings : 0, * (frost protection), 1, 2, 3, 4, 5 (max). The thermostat should be set to 5 (max). Once the required room temperature is reached, it can be turned back until a click (switch off) can be heard, which will give you a constant room temperature with the thermostat switching on and off automatically. This gives you an approximate room temperature range of 7°C - 32°C depending on room size. Frost protection : When the temperature falls below + 5 ... +8°C, the appliance switches on automatically.

Note - On this model the thermostat works independent from the selected output.

To reset the selector switch first remove the top cover, then adjust thermostat to required setting, or reset selector switch to 1kw or 2kw as required, then refit top cover.

General

THESE INSTRUCTIONS SHOULD BE READ CAREFULLY AND RETAINED FOR FUTURE REFERENCE.

The heater has a loading of 2KW. It is designed for permanent wall mounting and is suitable for operation on A.C. electricity supply having the same voltage as shown on the rating label.

The heater is fitted with an internally mounted selector switch which on installation of the heater allows a choice of 1kW or 2kW output to suit the dimensions of the room to be heated.

In rooms of less than 9 - 11 cubic m. (350 - 400 cubic ft.) 1kW output should be selected, otherwise nuisance tripping of the thermal overload cut-out may occur.

NOTE : THE SWITCH HAS BEEN FACTORY SET FOR 2KW OPERATION.

Safety

Cut-Out

For your safety, this appliance is fitted with a thermal cut-out. In the event that the product overheats, the cut-out switches the heater off automatically.

To bring the heater back into operation, remove the cause of overheating, then turn off the electrical supply to the heater for a few minutes.

When the heater has cooled sufficiently reconnect and switch on the heater.

Fuse Link

A thermal fuse link is provided as an added safety feature. If the fuse link operates and opens circuit it is the result of abnormal overheating within the appliance, and servicing of the appliance by a competent service engineer will be required in order to ensure the future safe operation of the heater. Dimplex Customer Services should be contacted, who will arrange the replacement of any faulty parts and the fitting of a new fuse link.

Installation

Before undertaking installation work, ensure the electricity supply is disconnected from any relevant fixed wiring. Supply cable is not supplied with this appliance and it should therefore be installed by a competent electrician in accordance with the IEE wiring regulations.

The supply circuit must be adequate for the input of the appliance and must be protected with a 13A fuse.

A suitable termination to the fixed wiring of the premises must be provided adjacent to the final position of the appliance through a double pole switch having a contact separation of at least 3mm in all poles.

Installation Procedure

It is essential to observe minimum wall mounting clearances, as per Fig. 1 overleaf.

The appliance should be fitted horizontally, with the cable entry at the top and grille at the bottom. It must be mounted not less than 600mm above the floor with a clearance of at least 600mm to any shelf or projecting surface below the heater and not less than 300mm below the ceiling or other projecting surface. For most effective heating performance, the heater should be mounted at the minimum height :-
i.e.- 600mm above the floor.

Care must be taken to ensure that when in use, the air stream is not obstructed by a high shelf or cabinet.

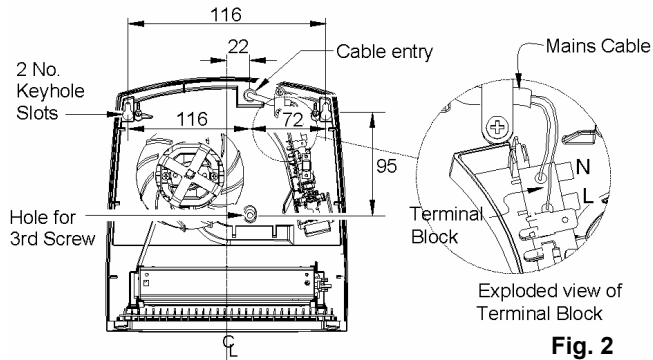


Fig. 2

The appliance is secured to the wall with three screws, two through keyhole slots and one through a centrally positioned lower hole to hold the appliance firmly in position (see Fig 2).

1. Remove the top cover from the appliance by removing the two screws securing the top cover and hinging it back.
2. Mark the position of the keyhole slots on the wall and drill and plug for the two suitable screws.
3. Partially insert the two screws, then hang the appliance on these screws and mark the position of the lower centrally positioned screw.
4. Remove the appliance and drill and plug for the third screw.
5. Remount the appliance on the wall, ensure that it is horizontal and fix in position by tightening all three screws.
6. Feed the supply cord or wires through the inlet at the top rear of the appliance leaving sufficient free length to connect to the terminal block.

FX 20VL Controls

The heater is fitted with a thermostat with an Integrated ON/OFF switch, a cut-out, and a thermal fuse link.

The heater has an external adjustable thermostat which can be adjusted by user (i.e. by turning the knob to the side of the heater), see Fig 4 for controls details. Temp. range 7°C - 32°C

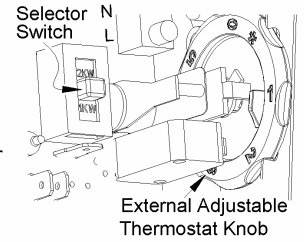
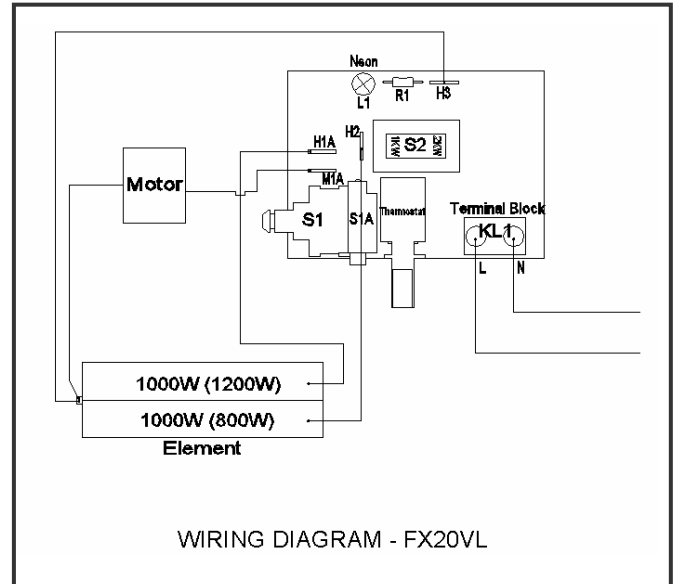


Fig. 3



Cleaning and User Maintenance

WARNING

BEFORE UNDERTAKING CLEANING OR MAINTENANCE WORK ON THE APPLIANCE IMMEDIATELY DISCONNECT THE ELECTRICITY SUPPLY BY SWITCHING OFF AT THE ADJACENT DOUBLE POLE SWITCH.

The outside can be cleaned by wiping it over with a soft damp cloth and then dried. Do not use abrasive cleaning powders or furniture polish as this can damage the surface finish.

After Sales Service

Your Dimplex downflow fan heater is guaranteed for one year from the date of purchase. We undertake to repair or exchange free of charge within this period, any part found to be defective due to a manufacturing fault.