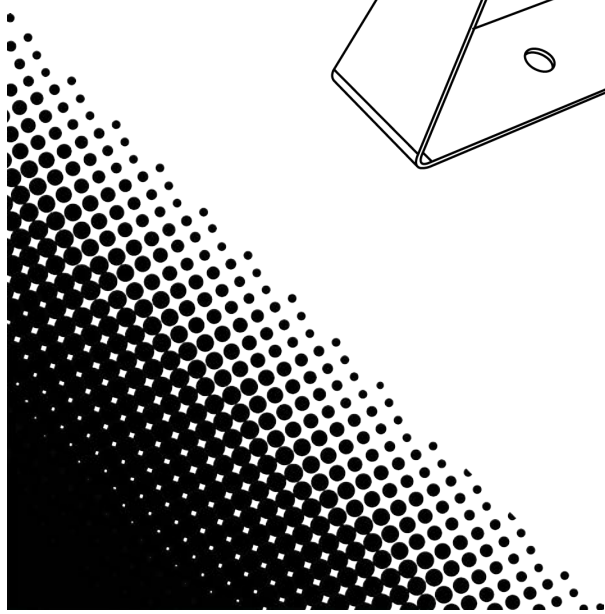
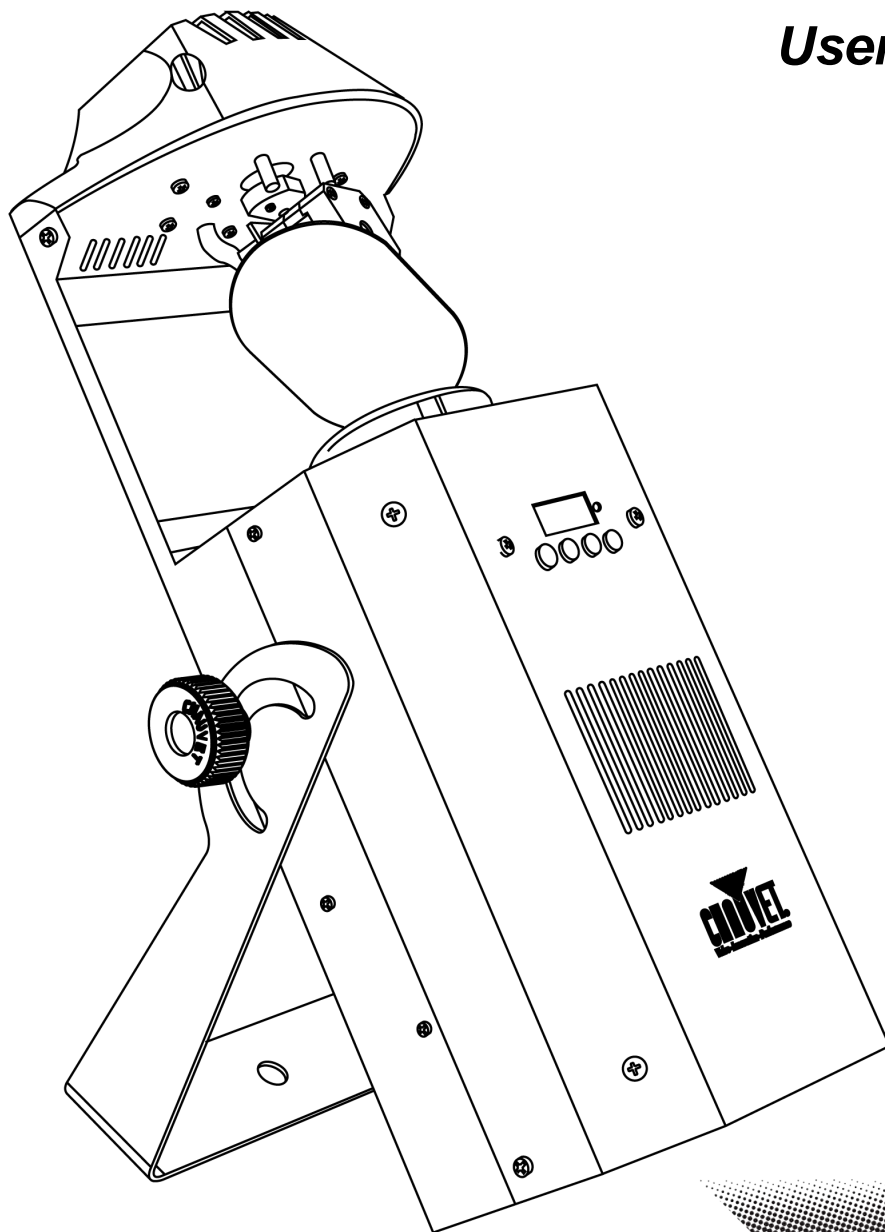


# INTIMIDATOR™

## SCAN LED 300

*User Manual*



**CHAUVET®**  
Value • Innovation • Performance  
It's **Green Thinking.**

---

# TABLE OF CONTENTS

<b>1. Before You Begin.....</b>	<b>3</b>
What Is Included .....	3
Unpacking Instructions .....	3
Claims .....	3
Text Conventions .....	3
Symbols .....	3
Disclaimer .....	3
Product at a Glance.....	4
Safety Notes .....	4
<b>2. Introduction.....</b>	<b>5</b>
Product Overview .....	5
Product Dimensions .....	6
<b>3. Setup .....</b>	<b>7</b>
AC Power .....	7
Fuse Replacement.....	7
Power Linking .....	7
Mounting .....	8
Orientation .....	8
Rigging .....	8
<b>4. Operation .....</b>	<b>9</b>
Control Panel Operation .....	9
Menu Map .....	9
Configuration (DMX).....	9
Starting Address .....	9
DMX Channels and Functions .....	10
11-CH Mode .....	10
Configuration (Standalone).....	12
Sound-Active Mode.....	12
Automatic Mode (Slow) .....	12
Automatic Mode (Fast) .....	12
Master/Slave Mode .....	12
Master/Slave for Sound-Active, Auto Modes .....	13
Service Mode.....	13
Changing Gobos .....	14
<b>5. Technical Information .....</b>	<b>15</b>
Product Maintenance .....	15
<b>6. Technical Specifications .....</b>	<b>16</b>
Returns .....	17
Contact Us .....	17

# 1. BEFORE YOU BEGIN

## What Is Included

- Intimidator Scan LED 300
- Hanging Bracket with Mounting Hardware (preinstalled)
- Power Cord
- Warranty Card
- Quick Reference Guide

## Unpacking Instructions

Immediately upon receipt, carefully unpack the product and check the container to make sure you have received all the parts indicated above in good condition.

## Claims




If the container or the material inside the container (the product and included accessories) appear damaged from shipping, or show signs of mishandling, upon receipt notify the carrier immediately, not CHAUVET®. Failure to do so in a timely manner may invalidate your claim with the carrier. In addition, keep the container and all the packing material for inspection.

For other issues such as missing components or parts, damage not related to shipping, or concealed damage, file a claim with CHAUVET® within 7 days of receiving the merchandise.

## Text Conventions

Convention	Meaning
1~512	A range of values
50/60	A set of values of which only one can be chosen
<b>Settings</b>	A menu option not to be modified
<b>Menu &gt; Settings</b>	A sequence of menu options to be followed
<b>&lt;ENTER&gt;</b>	A key to be pressed on the product's control panel
<b>ON</b>	A value to be entered or selected

## Symbols

Symbol	Meaning
	Critical installation, configuration, or operation information. Failure to comply could make the product not work, damage it, and harm the user.
	Important installation or configuration information. Failure to comply with this information may prevent the product from functioning correctly.
	Useful information.

## Disclaimer

The information and specifications contained in this document are subject to change without notice. CHAUVET® assumes no responsibility or liability for any errors or omissions that may appear in this manual. CHAUVET® reserves the right to update the existing document or to create a new document to correct any errors or omissions.

You can download the latest version of this document from [www.chauvetlighting.com](http://www.chauvetlighting.com).

© Copyright 2012 CHAUVET®. All rights reserved.

Electronically published by CHAUVET® in the United States of America.

Author	Date	Editor	Date
S. Graham	3/22/12	D. Coupe	3/22/12

## Product at a Glance

Use on Dimmer	⊘	Auto Programs	✓
Outdoor Use	⊘	Switchable voltage (115 V/230 V)	✓
Sound Activated	✓	Replaceable Fuse Circuit breaker	⊘
DMX	✓	User Serviceable	⊘
Master/Slave	✓	Duty Cycle	⊘

## Safety Notes

Please read the following Safety Notes carefully before working with the product. The Notes include important safety information about installation, usage, and maintenance.



- Always connect the product to a grounded circuit to avoid the risk of electrocution.
- Always disconnect the product from the power source before cleaning.
- Avoid direct eye exposure to the light source while the product is on.
- Make sure the power cord is not crimped or damaged.
- Never disconnect the product from power cord by pulling or tugging on the cord.
- If mounting the product overhead, always secure to a fastening device using a safety cable.
- Make sure there are no flammable materials close to the product when operating.
- Do not touch the product's housing when operating because it may be very hot.



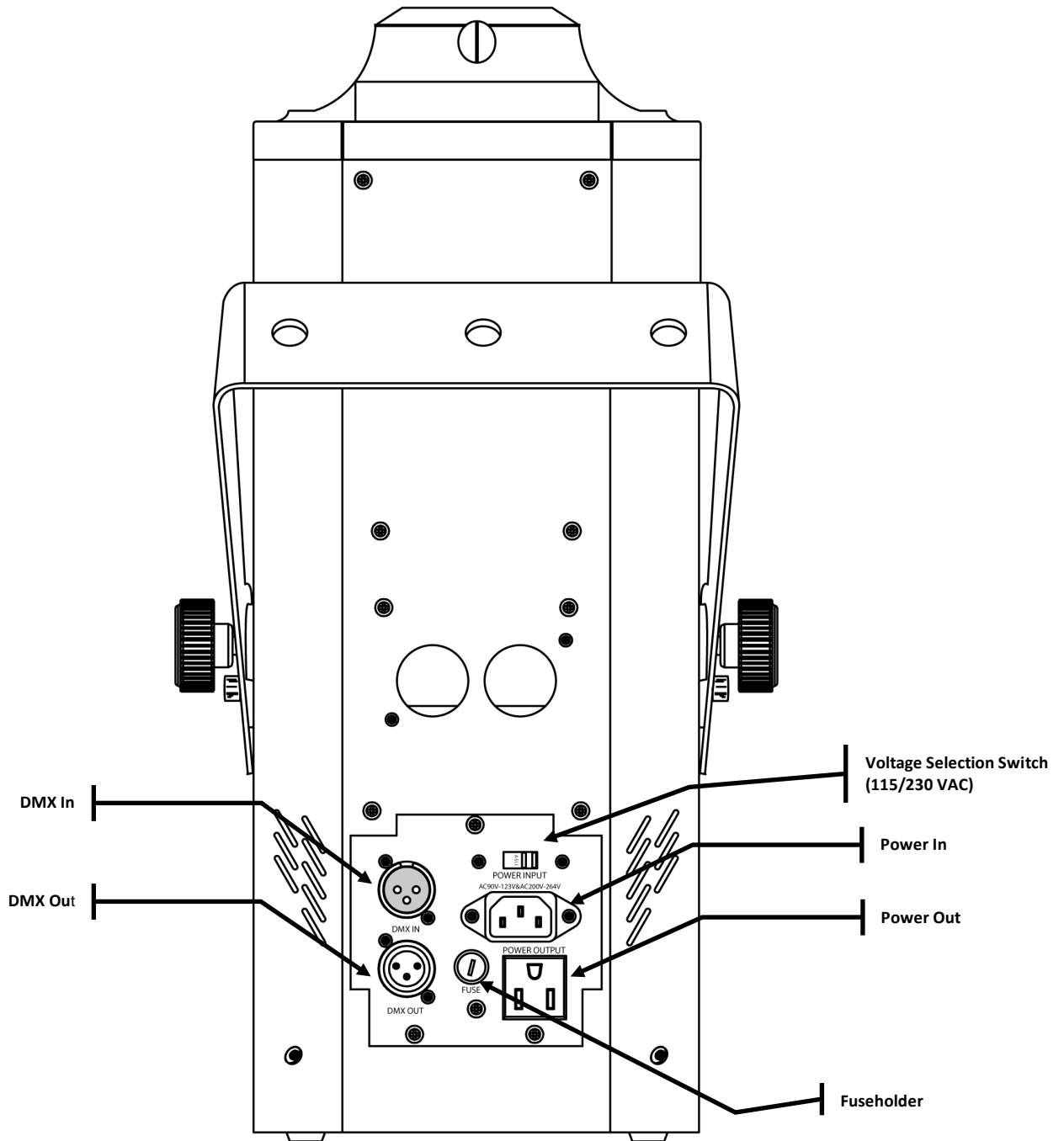
- Always make sure that the voltage of the outlet to which you are connecting the product is within the range stated on the decal or rear panel of the product.
- The product is for indoor use only! To prevent risk of fire or shock, do not expose the product to rain or moisture.
- Always install the product in a location with adequate ventilation, at least 20 in (50 cm) from adjacent surfaces.
- Be sure that no ventilation slots on the product's housing are blocked.
- Never connect the product to a dimmer.
- Never carry the product from the power cord or any moving part. Always use the hanging/mounting bracket or the handles.
- The maximum ambient temperature (Ta) is 104° F (40° C). Do not operate the product at higher temperatures.
- In the event of a serious operating problem, stop using the product immediately.
- Never try to repair the product. Repairs carried out by unskilled people can lead to damage or malfunction. Please contact the nearest authorized technical assistance center.



- Keep this User Manual for future consultation. If you sell the product to another user, be sure that they also receive this document.

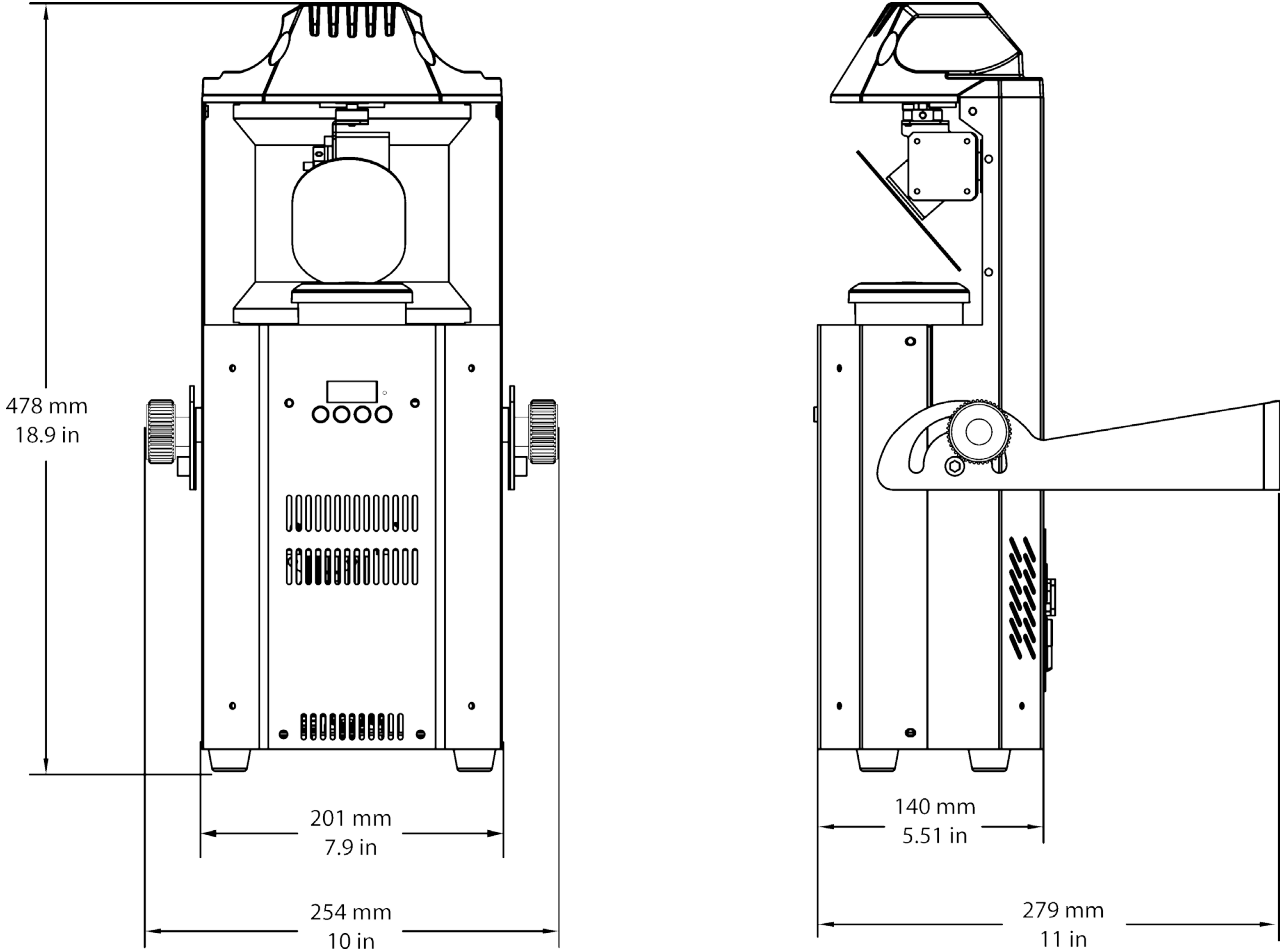
## 2. INTRODUCTION

### Product Overview



Rear Panel

# Product Dimensions



# 3. SETUP

**AC Power** The Intimidator Scan LED 300 has a dual voltage power supply and it can work with an input voltage of either 115 V, 60 Hz or 230 V, 50 Hz, depending on the position of the voltage selection switch.

To determine the product's power requirements (circuit breaker, power outlet, and wiring), use the current value listed on the label affixed to the product's back panel, or refer to the product's specifications chart. The listed current rating indicates the product's average current draw under normal conditions.



**Always connect the product to a protected circuit (circuit breaker or fuse). Make sure the product has an appropriate electrical ground to avoid the risk of electrocution or fire.**



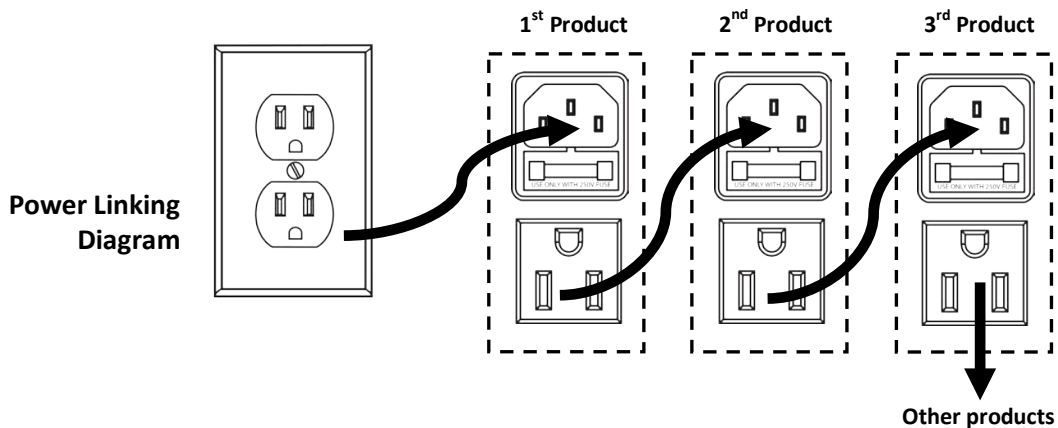
**Never connect the product to a rheostat (variable resistor) or dimmer circuit, even if the rheostat or dimmer channel serves only as a 0 to 100% switch.**

## Fuse Replacement

1. Using a flat-head screwdriver, unscrew the fuse holder from the back of the product.
2. Remove the blown fuse from the holder and replace with a fuse of the exact same type and rating.
3. Insert the fuse holder back in place, re-tighten, and reconnect power.

## Power Linking

The product provides power linking via the Edison/IEC outlet located in the front/back of the unit. Please see the diagram below for further explanation.



**You can power link up to 3 Intimidator Scan LED 300 units on 120 VAC or up to 7 Intimidator Scan LED 300 units on 230 VAC.**



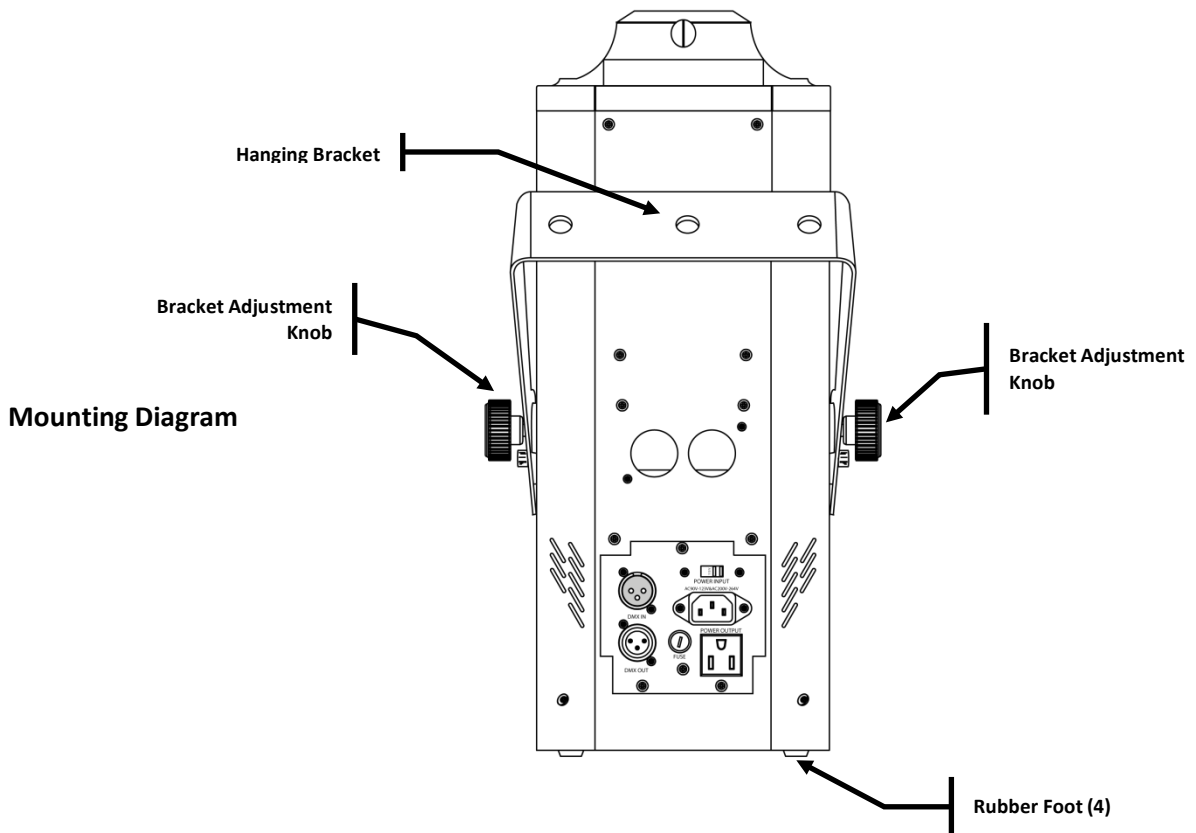
**The power linking diagram shown above corresponds to the North American version of the product ONLY! If using the product in other markets, you must consult with the local CHAUVET® distributor as power linking connectors and requirements may differ in your country or region.**

---

**Mounting** Before mounting the product, read and follow the safety recommendations indicated in the Safety Notes.

**Orientation** The Intimidator Scan LED 300 may be mounted in any position; however, make sure adequate ventilation is provided around the product.

- Rigging**
- Before deciding on a location for the product, always make sure there is easy access to the product for maintenance and plenty of ventilation.
  - Make sure that the structure or surface onto which you are mounting the product can support the product's weight. Please see the *Technical Specifications* section of this manual for weight information.
  - When mounting the product overhead, always use a safety cable. Mount the product securely to a rigging point, whether an elevated platform or a truss.
  - When rigging the product onto a truss, you should use a mounting clamp of appropriate weight capacity.
  - When power linking multiple products, you must always consider the length of the power linking cable and mount the products close enough for the cable to reach.
  - The bracket adjustment knobs allow for directional adjustment when aiming the product to the desired angle. Only loosen or tighten the bracket knobs manually. Using tools could damage the knobs.
  - The rubber feet also serve as floor supports. When mounting the product on the floor, make sure that the product is secured so that it cannot fall over, and that cables are away from people and vehicles.





## 4. OPERATION

### Control Panel Operation

To access the control panel functions, use the four buttons located underneath the display. Please refer to the Product Overview to see the button locations on the control panel.

Button	Function
<MODE ESC>	Press to find an operation mode or to back out of the current menu option
<UP>	Press to scroll up the list of options or to find a higher value
<DOWN>	Press to scroll down the list of options or to find a lower value
<ENTER>	Press to activate a menu option or a selected value

### Menu Map

Menu	Programming Steps		Description	
DMX Mode	d001	d001~512	DMX starting address	
Standalone Mode	NASL	NASL		
		SLAu	SoN	Standalone: Slave receive mode
		NStS	SrUn	Standalone: Slow
		NAFA	FASt	Standalone: Sound-active
Pan Invert	PAN	rPAN	Pan invert	
Tilt Invert	tit	rtit	Tilt invert	
Display Invert	diS	rdiS	Invert the display	
DMX Personality	11CH	8CH	8-channel DMX personality	
		11CH	11-channel DMX personality	
Reset	rESt		Reset all motors to correct any errors motors misaligning during operation.	
Load Default	LoAd		Revert all settings back to the factory default	

### Configuration (DMX)

Set the product in DMX mode to control with a DMX controller.

1. Connect the product to a suitable power outlet.
2. Turn the product on.
3. Connect a DMX cable from the DMX output of the DMX controller to the DMX input socket on the product.

### Starting Address

When selecting a starting DMX address, always consider the number of DMX channels the selected DMX mode uses. If you choose a starting address that is too high, you could restrict the access to some of the product's channels.

The Intimidator Scan LED 300 uses up to 11 DMX channels in its 11-Channel DMX mode, which defines the highest configurable address to **502**.

If you are not familiar with the DMX protocol, download the DMX Primer from the CHAUVET® website.

To select the starting address, do the following:

1. Press <MODE/ESC> repeatedly until **d(001~512)** shows on the display.
2. Using <UP> and <DOWN>, select the starting address **d(001~512)**.
3. Press <MODE/ESC> until one of the DMX personalities appears on the LED screen (**8CH, 11CH**). The most recent DMX personality selected will appear.
4. Use <UP> and <DOWN> to change the personality.
5. Press <ENTER>.



If you are not familiar with DMX, download the DMX Primer from [www.chauvetlighting.com](http://www.chauvetlighting.com).

# DMX Channels and Functions

## 11-CH Mode

Channel	Value	Function	Channel	Value	Function	
1	000 ⇄ 255	<b>Pan</b> 0°~180°	7	000 ⇄ 015	<b>Gobo Rotation</b> Stop	
2	000 ⇄ 255	<b>Tilt</b> 0°~90°		016 ⇄ 127	Rotate Counter-clockwise (slow ⇄ fast)	
3	000 ⇄ 006	Open (white)	128 ⇄ 239	Rotate Clockwise (slow ⇄ fast)		
	007 ⇄ 013	Yellow	240 ⇄ 255	Gobo bounce		
	014 ⇄ 020	Pink	8	000 ⇄ 003	<b>Prism</b> Open	
	021 ⇄ 027	Green		004 ⇄ 255	Stop, static prism effect	
	028 ⇄ 034	Peachblow	9	0 ⇄ 255	<b>Focus</b> Near ⇄ Far	
	035 ⇄ 041	Blue		10	000 ⇄ 007	<b>Function</b> No function
	042 ⇄ 048	Kelly			008 ⇄ 015	Pan/tilt move-in-black
	049 ⇄ 055	Red			016 ⇄ 023	Pan/tilt move-in-black (disable)
	056 ⇄ 063	Dark blue			024 ⇄ 031	Color wheel move-in-black
	064 ⇄ 070	White/yellow (split colors)			032 ⇄ 039	Color wheel move-in-black (disable)
	071 ⇄ 077	Yellow/pink (split colors)			040 ⇄ 047	Gobo wheel move-in-black
	078 ⇄ 084	Pink/green (split colors)			048 ⇄ 055	Gobo wheel move-in-black (disable)
	085 ⇄ 091	Green/peach blow (split colors)			056 ⇄ 063	Fast movement
	092 ⇄ 098	Peachblow/blue (split colors)			064 ⇄ 087	Fast movement (disable)
099 ⇄ 105	Blue/Kelly (split colors)	088 ⇄ 095			All movement move-in-black (disable)	
106 ⇄ 112	Kelly/red (split colors)	096 ⇄ 103			Reset pan/tilt	
113 ⇄ 119	Red/dark blue (split colors)	104 ⇄ 111			No Function	
120 ⇄ 127	Dark blue/white (split colors)	112 ⇄ 119			Reset color wheel	
128 ⇄ 191	Rotate clockwise (slow~fast)	120 ⇄ 127	Reset gobo wheel			
192 ⇄ 255	Rotate counter-clockwise (slow~fast)	128 ⇄ 135	No Function			
4	000 ⇄ 003	<b>Shutter</b> Closed	136 ⇄ 143	Reset prism		
	004 ⇄ 007	Open	144 ⇄ 151	Reset focus		
	008 ⇄ 215	Strobe (slow ~ fast)	152 ⇄ 159	Reset all		
	216 ⇄ 255	Open	160 ⇄ 255	No function		
5	000 ⇄ 255	<b>Dimmer</b> Dimmer: 0%~100%	11	000 ⇄ 007	<b>Movement Macros</b> No function	
6	000 ⇄ 007	<b>Gobo Wheel</b> Open		008 ⇄ 023	Automatic 1	
	008 ⇄ 015	Gobo 1 (glass)		024 ⇄ 039	Automatic 2	
	016 ⇄ 023	Gobo 2 (glass)		040 ⇄ 055	Automatic 3	
	024 ⇄ 031	Gobo 3		056 ⇄ 071	Automatic 4	
	032 ⇄ 039	Gobo 4		072 ⇄ 087	Automatic 5	
	040 ⇄ 047	Gobo 5		088 ⇄ 103	Automatic 6	
	048 ⇄ 055	Gobo 6		104 ⇄ 119	Automatic 7	
	056 ⇄ 063	Gobo 7		120 ⇄ 135	Automatic 8	
	064 ⇄ 071	Gobo 7 shake, fast to slow		136 ⇄ 151	Sound 1	
	072 ⇄ 079	Gobo 6 shake, fast to slow		152 ⇄ 167	Sound 2	
	080 ⇄ 087	Gobo 5 shake, fast to slow		168 ⇄ 183	Sound 3	
	088 ⇄ 095	Gobo 4 shake, fast to slow		184 ⇄ 199	Sound 4	
	096 ⇄ 103	Gobo 3 shake, fast to slow		200 ⇄ 215	Sound 5	
	104 ⇄ 111	Gobo 2 (glass) shake, (fast ⇄ slow)	216 ⇄ 231	Sound 6		
112 ⇄ 119	Gobo 1 (glass) shake, (fast ⇄ slow)	232 ⇄ 247	Sound 7			
120 ⇄ 127	Open	248 ⇄ 255	Sound 8			



1



2



3



4



5



6



7

## 8-CH Mode

Channel	Value	Function	Channel	Value	Function	
1	000 ⇄ 255	<b>Pan</b> 0°~180°	6	000 ⇄ 015	<b>Gobo Rotation</b> Stop	
2	000 ⇄ 255	<b>Tilt</b> 0°~90°		016 ⇄ 127	Rotate Counter-clockwise (slow ⇄ fast)	
3	000 ⇄ 006	<b>Color</b> Open (white)		128 ⇄ 239	Rotate Clockwise (slow ⇄ fast)	
	007 ⇄ 013	Yellow	240 ⇄ 255	Gobo bounce		
	014 ⇄ 020	Pink	7	000 ⇄ 003	<b>Prism</b> Open Stop, static prism effect	
	021 ⇄ 027	Green				
	028 ⇄ 034	Peachblow		8	0 ⇄ 255	<b>Focus</b> Near ⇄ Far
	035 ⇄ 041	Blue				
	042 ⇄ 048	Kelly				
	049 ⇄ 055	Red				
	056 ⇄ 063	Dark blue				
	064 ⇄ 070	White/yellow (split colors)				
	071 ⇄ 077	Yellow/pink (split colors)				
	078 ⇄ 084	Pink/green (split colors)				
	085 ⇄ 091	Green/peach blow (split colors)				
	092 ⇄ 098	Peachblow/blue (split colors)				
	099 ⇄ 105	Blue/Kelly (split colors)				
	106 ⇄ 112	Kelly/red (split colors)				
	113 ⇄ 119	Red/dark blue (split colors)				
120 ⇄ 127	Dark blue/white (split colors)					
128 ⇄ 191	Rotate clockwise (slow~fast)					
192 ⇄ 255	Rotate counter-clockwise (slow~fast)					
4	000 ⇄ 003	<b>Shutter</b> Closed				
	004 ⇄ 007	Open				
	008 ⇄ 215	Strobe (slow~fast)				
	216 ⇄ 255	Open				
		<b>Gobo Wheel</b> Open				
5	000 ⇄ 007	Open				
	008 ⇄ 015	Gobo 1 (glass)				
	016 ⇄ 023	Gobo 2 (glass)				
	024 ⇄ 031	Gobo 3				
	032 ⇄ 039	Gobo 4				
	040 ⇄ 047	Gobo 5				
	048 ⇄ 055	Gobo 6				
	056 ⇄ 063	Gobo 7				
	064 ⇄ 071	Gobo 7 shake, fast to slow				
	072 ⇄ 079	Gobo 6 shake, fast to slow				
	080 ⇄ 087	Gobo 5 shake, fast to slow				
	088 ⇄ 095	Gobo 4 shake, fast to slow				
	096 ⇄ 103	Gobo 3 shake, fast to slow				
	104 ⇄ 111	Gobo 2 (glass) shake, (fast ⇄ slow)				
	112 ⇄ 119	Gobo 1 (glass) shake, (fast ⇄ slow)				
	120 ⇄ 127	Open				
	128 ⇄ 191	Gobo scroll: Clockwise rotation				
192 ⇄ 255	Gobo scroll: Counter-clockwise rotation					



1



2



3



4



5



6



7

---

## Configuration (Standalone)

Set the product in one of the standalone modes to control without a DMX controller.

1. Connect the product to a suitable power outlet.
2. Turn the product on.



**Never connect a product that is operating in any standalone mode (either Static, Automatic, or Sound) to a DMX string connected to a DMX controller. Products in standalone mode may transmit DMX signals that could interfere with the DMX signals from the controller.**

## Sound-Active Mode

To enable the Sound-Active mode, do the following:

1. Press **<MENU>** repeatedly until **SoUd** shows on the display.
2. Press **<ENTER>**.
3. Turn the music on and adjust the microphone sensitivity knob until the product starts responding to the beat of the music.
4. Press **<ENTER>**.



**The product will only respond to low frequencies of music (bass and drums).**

## Automatic Mode (Slow)

To enable the preprogrammed slow chase Automatic Mode:

1. Press **<MODE/ESC>** repeatedly until one of the Standalone modes shows on the display (**SLAv**, **NStS**, **NAFA**, **NASL**).
2. Press **<ENTER>**.
3. Use **<UP>** or **<DOWN>** to select **<NASL>**.
4. Press **<ENTER>**. **<SLoU>** will appear on the display.

## Automatic Mode (Fast)

To enable the preprogrammed fast chase Automatic Mode:

5. Press **<MODE/ESC>** repeatedly until one of the Standalone modes shows on the display (**SLAv**, **NStS**, **NAFA**, **NASL**).
6. Press **<ENTER>**.
7. Use **<UP>** or **<DOWN>** to select **<NAFA>**.
8. Press **<ENTER>**. **<FAST>** will appear on the display.

## Master/Slave Mode

The Master/Slave mode allows a single Intimidator Scan LED 300 unit (the “master”) to control the actions of one or more Intimidator Scan LED 300 units (the “slaves”) without the need of a DMX controller. The master unit will be set to operate in either Automatic or Sound Active mode, while the slave units will be set to operate in Slave Mode. Once set and connected, the slave units will operate in unison with the master unit.

Configure the units as indicated below.

### Slave units:

1. Press **<MENU>** repeatedly until **SLAU** shows on the display.
2. Press **<ENTER>** to accept.
3. Set the **DMX address** to **001**.
4. Connect the DMX input of the first slave unit to the DMX output of the master unit.
5. Connect the DMX input of the subsequent slave units to the DMX output of the previous slave unit.
6. Finish setting and connecting all the slave units.

### Master unit:

1. Set the master unit to operate in either Automatic or Sound mode.
2. Make the master unit the first unit in the DMX daisy chain.

- **Configure all the slave units before connecting the master unit to the DMX daisy chain.**



- **Never connect a DMX controller to a DMX string configured for Master/Slave operation because the controller may interfere with the signals from the master unit.**
- **Do not connect more than 31 slave units to the master unit.**

---

## Master/Slave for Sound-Active, Auto Modes

Master/Slave may also be used to synchronize at maximum of 31 slave units to a single master set to any of the standalone modes:

Set the master product in any of the Standalone modes: Sound-Active, Automatic Fast, or Automatic Slow.

To set the slave products:

1. Press **<MODE/ESC>** until **NASL** appears on the LED screen.
2. Using **<UP>** and **<DOWN>** select **<SLAu>**.
3. Press **< ENTER >**. **<Son>** will appear on the screen.

## Service Mode

The Intimidator™ Scan 300 has an imbedded menu that requires a passcode for use. The purpose of this menu is to electronically adjust the home positions of various features. To access this menu:

1. Press **< MODE/ESC >** and hold for at least 10 seconds.
2. Using **<UP/DOWN>**, enter the following pass code: **"2323"**. Press **<UP>** to change the blinking digit in ascending order, and press **<DOWN>** to move on to the next digit.
3. Press **<ENTER>**.

Menu Option	Selection	Instruction
P128	000~255	Adjustment for pan
t128	000~255	Adjustment for tilt
G128	000~255	Adjustment for the gobo wheel
r128	000~255	Adjustment for the gobo wheel rotation
C128	000~255	Adjustment for the color wheel
F128	000~255	Adjustment for the focus



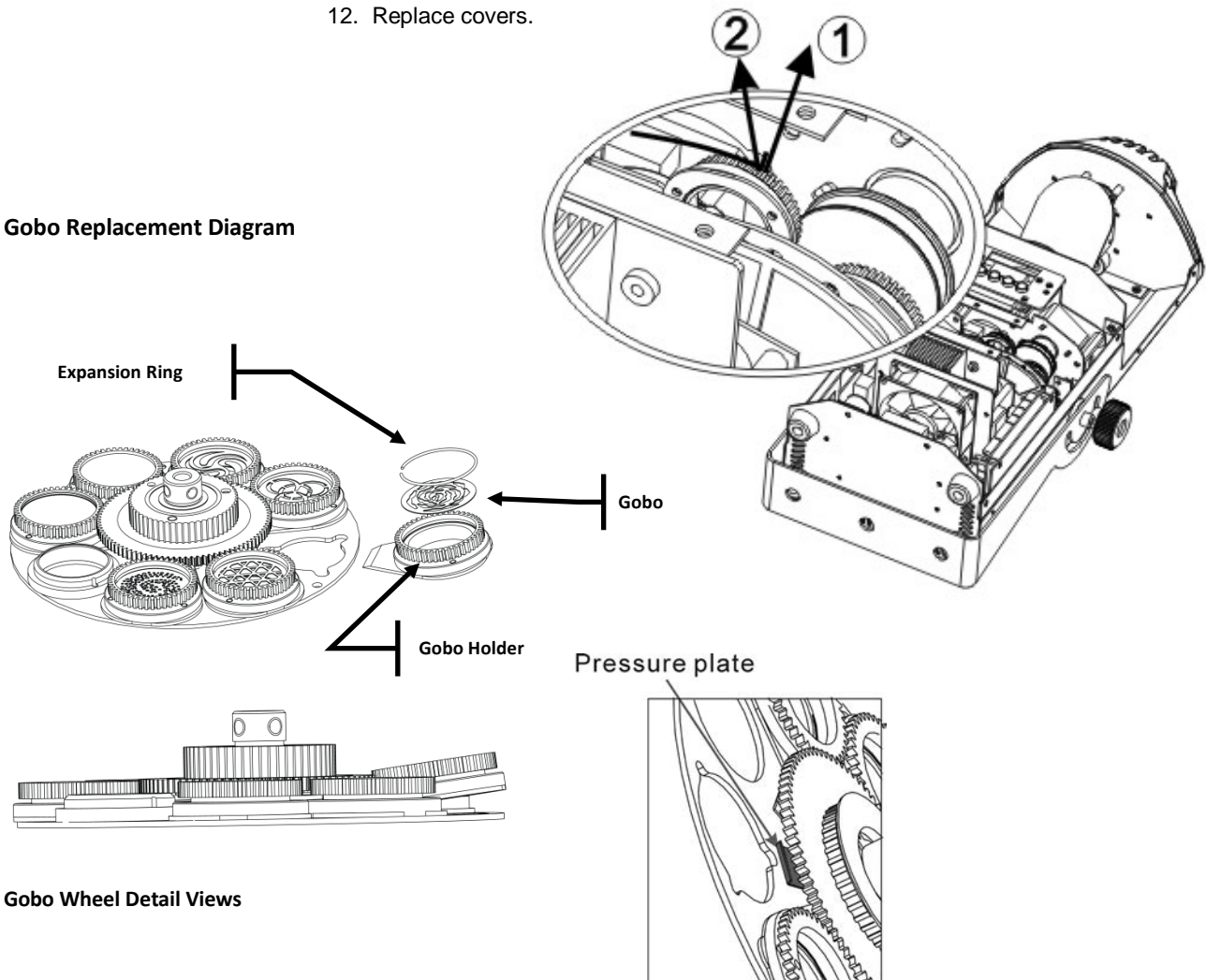
**Note: This mode will automatically terminate after 10 seconds of being idle.**

## Changing Gobos

To change the gobos in the Intimidator™ Scan 300, you do not need to remove the gobo wheel. Simply:

1. Turn off and disconnect fixture from power outlet.
2. Place the product on a flat, level surface with the front facing up.
3. Open the head cover by loosening the ten fastening screws at the sides of the top cover.
4. Remove the four screws on the cover plate underneath the display to access the gobo wheel.
5. Rotate the gobo wheel until the gobo that needs replacing is accessible.
6. Separate the gobo holder away from the gobo wheel by pushing it forward, toward the mirror/LED. Be careful not to push the gobo out of the gobo plate.
7. Extract the gobo holder by pulling it outward (straight up). (See the #1 & 2 arrows on diagram.)
8. On a flat surface, remove the expansion ring that holds the gobo in place and remove the gobo from the gobo plate.
9. Insert a new gobo and hold it in place with the expansion ring.
10. To re-insert the new gobos, slide the tip of the gobo holder under the pressure plate near the center of the gobo wheel.
11. Push the gobo holder inwards. DO NOT force the gobo holder into the gobo wheel slot. If correctly installed, the gobo holder should accommodate itself in the gobo wheel slot.
12. Replace covers.

### Gobo Replacement Diagram



---

## 5. TECHNICAL INFORMATION

### **Product Maintenance**

Dust build-up reduces light output performance and can cause overheating. This can lead to reduction of the light source's life and mechanical wear. To maintain optimum performance and minimize wear, clean the product at least twice a month. Use and environmental conditions could cause increased cleaning frequency.

To clean the product, follow the instructions below:

- Unplug the product from power.
- Wait until the product is cold.
- Use a vacuum (or dry compressed air) and a soft brush to remove dust collected on the external surface/vents.
- Clean all external optics and glass surfaces with a mild soap solution, ammonia-free glass cleaner, or isopropyl alcohol.
- Apply the solution directly to a soft, lint-free cotton cloth or a lens cleaning tissue.
- Softly wipe any dirt or grime to the outside edges of the external optics and glass surfaces.
- Gently polish these surfaces until they are free of haze and lint.
- Keep contact with the mirror's surface to a minimum to avoid scratching or damaging it.



**Always dry surfaces carefully after cleaning.**



**Do not spin the cooling fan/fans using compressed air because you could damage it/them.**

## 6. TECHNICAL SPECIFICATIONS

<b>Dimensions and Weight</b>	<b>Length</b>	<b>Width</b>	<b>Height</b>	<b>Weight</b>
	11 in (279 mm)	10 in (254 mm)	18.9 in (478 mm)	14.7 lbs (6.7 kg)
<b>Note:</b> Dimensions in inches rounded to the nearest decimal digit.				
<b>Power</b>	<b>Power Supply Type</b>	<b>Range</b>		
	Switching (internal)	100~240 V, 50/60 Hz		
	<b>Parameter</b>	<b>120 V, 60 Hz</b>	<b>230 V, 50 Hz</b>	
	Consumption	236 W	237 W	
	Operating / Inrush current	2 A / 2 A	1 A / 1 A	
	Power linking units	(3 units)	7 units	
	Fuse/Breaker	F 2 A, 250 V	F 2 A, 250 V	
<b>Power I/O</b>	<b>Power I/O</b>	<b>US/Worldwide</b>	<b>UK/Europe</b>	
	Power input connector	Neutrik® powerCON® A/IEC	Neutrik® powerCON® A/IEC	
	Power output connector	Neutrik® powerCON® B/Edison	Neutrik® powerCON® B/IEC	
	Power Cord plug	Edison (U.S.)	Local plug	
<b>Light Source</b>	<b>Type</b>	<b>Power</b>	<b>Lifespan</b>	
	LED	60 W	50,000 hours	
<b>Gobos</b>	<b>Type</b>	<b>Quantity</b>	<b>Gobo Dimensions</b>	
	Metal	5	23.8 mm circumference	
	Glass	2	20.9 mm image 2 mm max thickness	
<b>Beam Angle &amp; Strobe Rate</b>	<b>Parameter</b>			
	Beam angle	21°		
	Strobe Rate	0~20 Hz		
<b>Thermal</b>	<b>Maximum External Temp.</b>	<b>Cooling System</b>		
	104° F (40° C)	Fan		
<b>DMX</b>	<b>I/O Connectors</b>	<b>Connector Type</b>	<b>Channel Range</b>	
	3--pin XLR	Sockets	8, 11	
<b>Ordering</b>	<b>Product Name</b>	<b>Item Code</b>	<b>UPC</b>	
	Intimidator Scan LED 300	08020175	781462205591	





---

In case you need to return a product or request support, follow the procedure below:

- If you live in the U.S., contact CHAUVET® World Headquarters (see below).
- If you live in the UK or Ireland, contact CHAUVET® Europe Ltd. (see below).
- If you live in any other country, DO NOT contact CHAUVET®. Instead, contact your distributor of record. See [www.chauvetlighting.com](http://www.chauvetlighting.com) for distributors outside the U.S., United Kingdom, or Ireland.



**If you live outside the U.S., United Kingdom, or Ireland, contact your distributor of record and follow their instructions on how to return CHAUVET® products to them. Visit our website for contact details.**

## Returns

Call the corresponding CHAUVET® Tech Support office and request a Return Merchandise Authorization (RMA) number before shipping the product. Be prepared to provide the model number, serial number, and a brief description of the cause for the return.

You must send the merchandise prepaid, in its original box, and with its original packing and accessories. CHAUVET® will not issue call tags.

Clearly label the package with the RMA number. CHAUVET® will refuse any product returned without an RMA number.



**Write the RMA number on a properly affixed label. DO NOT write the RMA number directly on the box.**

Before sending the product, clearly write the following information on a piece of paper and place it inside the box:

- Your name
- Your address
- Your phone number
- The RMA number
- A brief description of the problem

Be sure to pack the product properly. Any shipping damage resulting from inadequate packaging will be your responsibility. As a suggestion, proper UPS packing or double-boxing is always a safe method to use.



**CHAUVET® reserves the right to use its own discretion to repair or replace returned product(s).**

## Contact Us

### World Headquarters

CHAUVET®

#### General Information

Address: 5200 NW 108th Avenue  
Sunrise, FL 33351  
Voice: (954) 577-4455  
Fax: (954) 929-5560  
Toll free: (800) 762-1084

#### Technical Support

Voice: (954) 577-4455 (Press 4)  
Fax: (954) 756-8015  
Email: [tech@chauvetlighting.com](mailto:tech@chauvetlighting.com)

#### World Wide Web

[www.chauvetlighting.com](http://www.chauvetlighting.com)

### United Kingdom & Ireland

CHAUVET® Europe Ltd.

#### General Information

Address: Unit 1C  
Brookhill Road Industrial Estate  
Pinxton, Nottingham, UK  
NG16 6NT  
Voice: +44 (0)1773 511115  
Fax: +44 (0)1773 511110

#### Technical Support

Email: [uktech@chauvetlighting.com](mailto:uktech@chauvetlighting.com)

#### World Wide Web

[www.chauvetlighting.co.uk](http://www.chauvetlighting.co.uk)