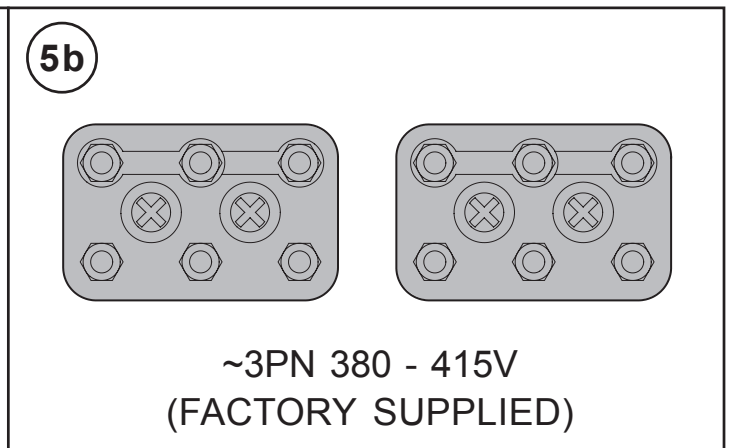
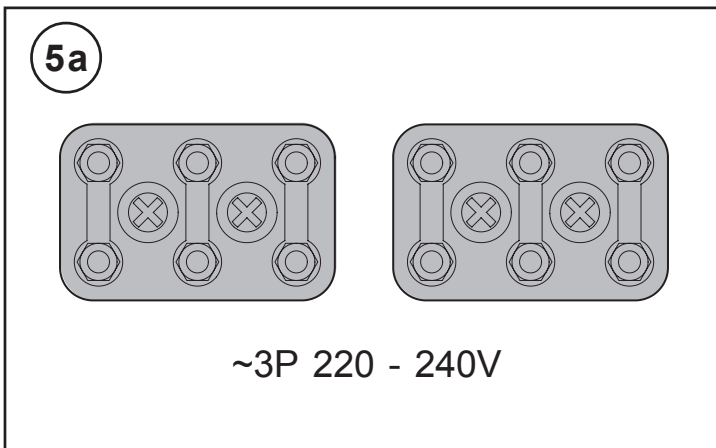
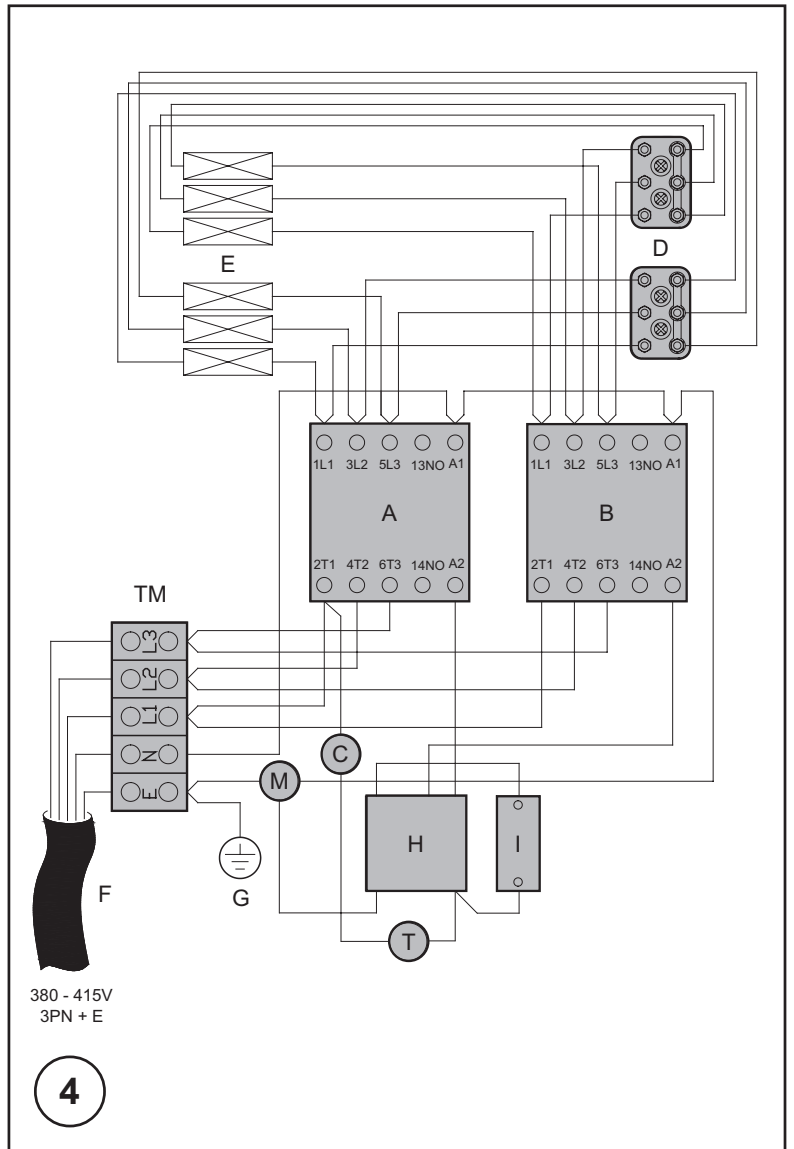
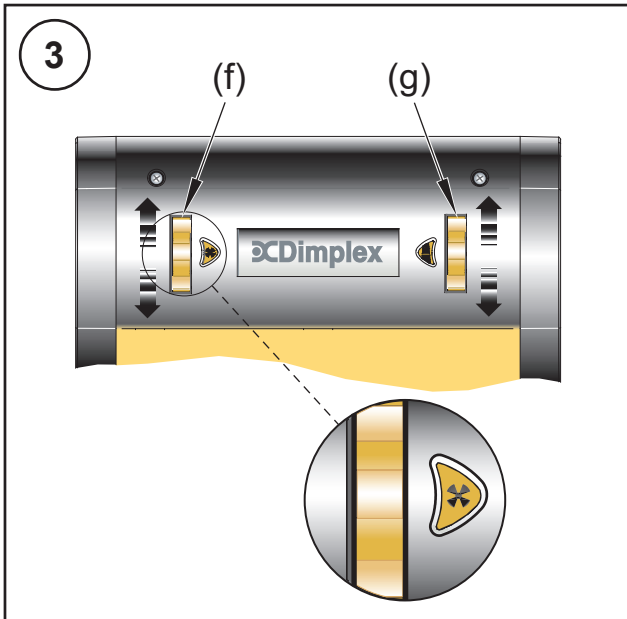
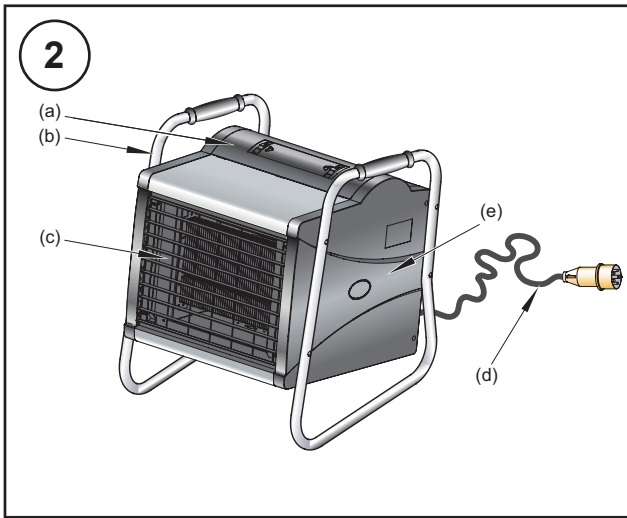
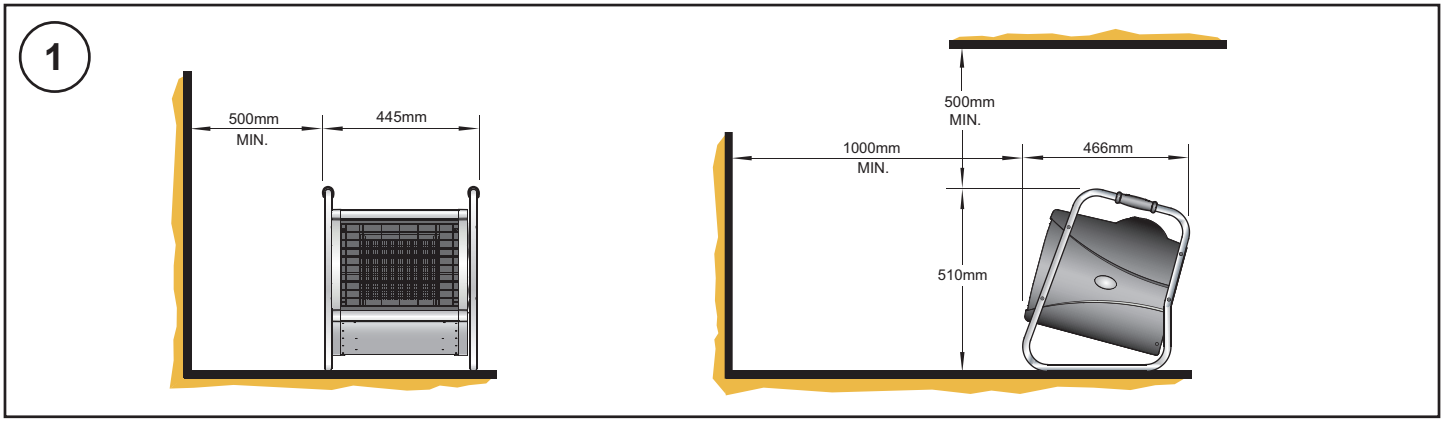


CFP60, CFP90 & CFP120
Industrial Fan Heater



Dimplex Industrial Fan Heater

Models : CFP60, CFP90 & CFP120

THESE INSTRUCTIONS SHOULD BE READ CAREFULLY AND RETAINED FOR FUTURE REFERENCE

IMPORTANT SAFETY ADVICE

DO NOT COVER OR OBSTRUCT the air inlet or outlet grille.

IMPORTANT – Disconnect from the mains supply before carrying out maintenance work.

THIS HEATER MUST BE EARTHED

Keep combustible materials such as drapes and other furnishings clear from the front, sides and rear of the heater. The heater should always be used upright on a flat, stable surface.

DO NOT use this heater in the immediate surrounding of a bath, a shower or a swimming pool.

DO NOT use this heater in areas where excessive dust exists.

DO NOT store or use any flammable materials or sprays in the vicinity of the heater – **FIRE HAZARD**.

DO NOT insert any foreign objects into the heaters openings. Risk of injury, electric shock or damage to the heater may occur.


DO NOT use the heater on deep pile carpets or the long hair type of rugs.

DO NOT operate the heater with wet hands.

DO NOT use heater to dry your laundry.

DO NOT operate the heater with the mains lead overhanging the front outlet grille.

This heater is not intended for use by children or other persons without assistance or supervision if their physical, sensory or mental capabilities prevent them from using it safely. Children should be supervised to ensure that they do not play with the heater.

The heater carries the Warning symbol  indicating that it must not be covered.

The socket-outlet must be accessible at all times to enable the mains plug to be disconnected as quickly as possible.

The instruction leaflet belongs to the heater and must be kept in a safe place. If changing owners, the leaflet must be surrendered to the new owner.

IMPORTANT – If the mains lead of this heater is damaged, it must be replaced by the manufacturer or its service agent or a similarly qualified person in order to avoid a hazard.

Ensure proper manual handling procedures are observed at all times.

CAUTION – In order to avoid a hazard due to inadvertent resetting of the thermal cut-out, this heater MUST NOT be supplied through an external switching device, such as a timer, or connected to a circuit that is regularly switched on and off by the utility.

General

The industrial fan heater is a robust, durable portable heater designed to coordinate with the Dimplex range of Air Curtains, providing environmental heating in commercial and light industrial environments.

A heat selector switch and thermostat gives a wide range of control.

Some of the heater's features are highlighted in **Fig. 2**.

- Thermostat / Heat control housing.
- Robust tubular frame for carrying the heater.
- Metal air outlet grille.
- 2m long supply cable.
- Impact resistant end mouldings.

Electrical

Model	Heat Output kW	Electrical Supply	Electrical Load (per phase) Amps	Required Plug Amps	Supply Cable 5G x	Weight kg
CFP60	3 / 6	380-415V ~3PN	9.0	16	1.5mm ²	15.0
		220-240V ~3P *	15.6	16		
CFP90	6 / 9	380-415V ~3PN	13.3	16	2.5mm ²	16.0
		220-240V ~3P *	23.0	32		
CFP120	6 / 12	380-415V ~3PN	17.5	32	4.0mm ²	16.0
		220-240V ~3P *	30.4	32		

The 5 Pin Plug supplied with this heater suits 380-415V ~3PN Star electrical supply. If 220-240V ~3P Delta supply is to be used a 4 Pin Plug is required (as denoted by * above).

The Supply Cable is specifically chosen for each CFP heater and should only be replaced by a similar cable supplied by the manufacturer.

See **Fig. 4** for CFP Wiring Diagram. (References are listed below)

- A - Heat 1 Contactor
- B - Heat 2 Contactor
- C - Thermal Safety Cut-out Circuit
- D - Star / Delta Connector Blocks
- E - Heating Elements
- F - Mains Lead & Plug
- G - Earth
- H - Heat / Fan Selection Switch
- I - Thermostat
- T - Tilt Switch
- TB - Main In Terminal Block
- M - Motor

Electrical connection

This heater must only be connected to a three phase supply. The supply voltage must correspond to the voltage shown on the heaters rating label.

IMPORTANT : The wires in this mains lead are coloured in accordance with the following code :

- BROWN** - LIVE (L1)
- BLACK** - LIVE (L2)
- GREY** - LIVE (L3)
- BLUE** - NEUTRAL
- GREEN & YELLOW** - EARTH

Note : 'L' or 'N' must not be connected to the **EARTH** terminal marked 'E' or  or coloured **GREEN** or **GREEN AND YELLOW**.

If in doubt, consult your electrician.

Star / Delta Voltage Systems

The heater is wired to accept 380-415V ~3PN (see **Fig. 5b**).

To change to a 220-240V ~3P system (see **Fig. 5a**) the following steps should be carried out :

- Swap the plug on the end of the Mains In lead to a 4 Pin plug (refer to * in table above for plug loading).
 - BROWN** : LIVE (L1)
 - BLACK** : LIVE (L2)
 - GREY** : LIVE (L3)
 - BLUE** : **Insulate exposed core and place inside plug housing.**
 - GREEN & YELLOW** : **EARTH**
- Remove the control moulding and top panel.
- Change over the links on the Star / Delta Terminal Block to resemble **Fig. 5a**.
- Remove the blue neutral wire from 'N' and connect into 'L3' in the Mains In Terminal block.
- Replace the control moulding and top panel.


Attention: If using an extension cable, ensure that it complies with local electrical regulations and is suitable for the loads shown above.

Operation

The heat output from this heater is regulated using the rotating wheels shown in **Fig. 3**. By rotating these wheels, with the unit plugged in, various fan and heat settings may be obtained.

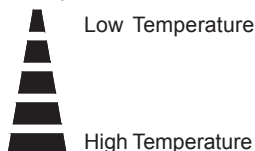
Function control wheel

With the function control wheel, (f) in **Fig. 3**, the settings shown below may be obtained;

- 0** Off
-  Fan only
- 1** Half Heat + Fan
- 2** Full Heat + Fan

Thermostat control wheel

The thermostat control wheel, (g) in **Fig. 3**, will adjust the temperature cut off point of the heater.



Both heat and fan operation can be regulated by the thermostat. The thermostat, (g) in **Fig. 3** enables a constant local ambient temperature to be maintained.

Turn the thermostat towards the back of the heater to the maximum setting and allow the heater to operate until the room temperature has reached the desired level.

Then turn back the thermostat until it 'just' operates. Cycling of the thermostat will then occur to maintain this ambient temperature.

With the function switch in the **1** or **2** position, the heat is regulated by the thermostat, whilst the fan continues to operate.

Installation

The CFP range of heaters are designed for free-standing use.

CAUTION: DO NOT direct the air outlet grille, (c) in **Fig. 2**, towards the ground or wall (min 1m) when in the free-standing position.

Safety in Use

This appliance incorporates a number of safety devices. In addition to the safety precautions in the 'Important Safety Advice' section, your attention is drawn to the following;

Tilt Switch

The tilt switch will prevent the heater from working if it is accidentally tipped over or not standing upright. If this occurs, disconnect the power and stand the heater back upright on a flat, stable surface and allow it to cool. Reconnect the power and normal operation should be resumed.

If the heater does not operate, it is possible the thermal safety cut-out has activated – refer to reset procedure in 'Thermal Safety Cut-outs' section.

Thermal Safety Cut-outs

The power supply to the heater may also be interrupted if one or a combination of the following abnormal events occurs:

1. Air inlet or outlet grilles are obstructed.
2. Internal ventilation is impaired due to build up of dust and fluff.
3. Fan failure.

To reset the cut-out follow the procedures below :

1. Disconnect power supply.
2. Determine what has caused the cut-out to operate and rectify. (Note : This should only be undertaken by competent persons with experience of repairing electrical appliances and in full knowledge of the possible hazards involved).
3. After a short period of time, with the heater placed in a cool area, the cut-out will reactivate allowing electrical supply to be returned to the heater thus permitting normal operation.

Maintenance

Warning - Disconnect the heater from the mains supply before carrying out maintenance.

This product is designed to require no maintenance. If operated in an extremely dusty environment it may however be necessary to carefully brush clean the rear air-inlet grille from time to time.

If the heater is to be placed in storage for long time intervals, Dampness may penetrate the heating elements and with reactivation, EARTH FAULT BREAKERS may trip. This is not a fault and can be rectified by feeding the heater using a source without an earth fault breaker until the elements have fully dried.

Recycling



For electrical products sold within the European Community.

At the end of the electrical products useful life it should not be disposed of with household waste. Please recycle where facilities exist. Check with your Local Authority or retailer for recycling advice in your country.

Cleaning

WARNING : ALWAYS DISCONNECT FROM THE POWER SUPPLY BEFORE CLEANING THE HEATER

Do not use detergents, abrasive cleaning powders or polish of any kind on the heater.

Wipe with a dry cloth to remove dust and a damp cloth (not wet) to clean off stains. Be careful not to allow moisture into the heater.

Ensure that dust or fluff does not accumulate inside the heater as this could lead to overheating of the element. Use a vacuum cleaner to remove any fluff which does accumulate.

After Sales Service

Your product is guaranteed for one year from the date of purchase.

Within this period, we undertake to repair or exchange this product free of charge (excluding element & subject to availability) provided it has been installed and operated in accordance with these instructions.

Your rights under this guarantee are additional to your statutory rights, which in turn are not affected by this guarantee.

Should you require after sales service you should contact our customer services help desk on 0870 727 0101. It would assist us if you can quote the model number, series, date of purchase, and nature of the fault at the time of your call. The customer services help desk will also be able to advise you should you need to purchase any spares.

Please do not return a faulty product to us in the first instance as this may result in loss or damage and delay in providing you with a satisfactory service.

Please retain your receipt as proof of purchase.

Glen Dimplex UK Limited
Millbrook House
Grange Drive
Hedge End
Southampton
Hampshire. SO30 2DF

UK customer help line (8.00AM – 6.00PM Mon-Fri; 8.30AM-1.00PM Sat)

Customer Services:	Tel.	0870 7270101
	Fax.	0870 7270102
	e-mail	customer.services@glendimplex.com
Republic of Ireland	Tel.	01 8424833