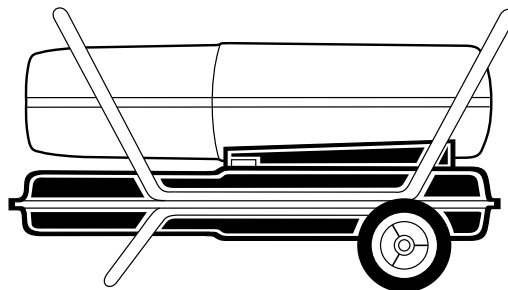
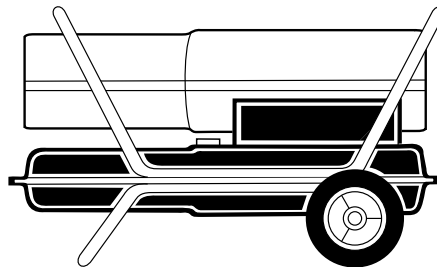
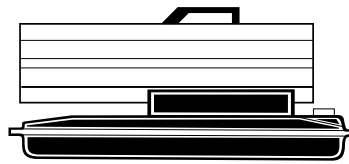


PORTABLE FORCED AIR HEATERS

OWNER'S MANUAL



**Heater Sizes: 8,8 (30,000) 20,5 (70,000)
26,4 (90,000) 44 kW (150,000 Btu/Hr)**

IMPORTANT

Read and understand this manual before assembling, starting or servicing heater. Improper use of heater can cause serious injury. Keep this manual for future reference.

CONTENTS

SECTION	PAGE
Safety Information	3
Product Identification	4
Unpacking	5
Assembly	5
Theory of Operation	6
Fuels	6
Ventilation	7
Operation	7
Storing, Transporting, or Shipping	8
Preventative Maintenance Schedule	8
Troubleshooting	9
Service Procedures	10
Upper Shell Removal	10
Fuel Filter (8,8/20,5 kW [30/70,000 Btu/Hr] Models)	10
Fuel Filter (26,4 kW [90,000 Btu/Hr] Model)	11
Fuel Filter (44 kW [150,000 Btu/Hr] Model)	11
Spark Plug (8,8 kW [30,000 Btu/Hr] Model)	12
Spark Plug (20,5/26,4/44 kW [70/90/150,000 Btu/Hr] Models)	13
Air Output, Air Intake, and Lint Filters	14
Pump Pressure Adjustment	14
Nozzle (8,8 kW [30,000 Btu/Hr] Model)	15
Nozzle (20,5/26,4 kW [70/90,000 Btu/Hr] Models)	16
Nozzle (44 kW [150,000 Btu/Hr] Model)	17
Pump Rotor	18
Fan	19
Specifications	19
Wiring Diagrams	20
Illustrated Parts Breakdown and Parts List	21
Wheels and Handles (26,4/44 kW [90/150,000 Btu/Hr] Models) ..	21
8,8 kW (30,000 Btu/Hr) Model	22
20,5 kW (70,000 Btu/Hr) Model	24
26,4 kW (90,000 Btu/Hr) Model	26
44 kW (150,000 Btu/Hr) Model	28
Accessories	30
Warranty and Repair Service	Back Cover

SAFETY INFORMATION

WARNINGS

IMPORTANT: Read this owner's manual carefully and completely before trying to assemble, operate, or service this heater. Improper use of this heater can cause serious injury or death from burns, fire, explosion, electrical shock, and carbon monoxide poisoning.

DANGER

Carbon monoxide poisoning may lead to death!

Carbon Monoxide Poisoning: Early signs of carbon monoxide poisoning resemble the flu, with headaches, dizziness, or nausea. If you have these signs, the heater may not be working properly. **Get fresh air at once!** Have heater serviced. Some people are more affected by carbon monoxide than others. These include pregnant women, persons with heart or lung disease or anemia, those under the influence of alcohol, and those at high altitudes.

Make certain you read and understand all warnings. Keep this manual for reference. It is your guide to safe and proper operation of this heater.

- Use only kerosene or No. 1 fuel oil to avoid risk of fire or explosion. Never use gasoline, naphtha, paint thinners, alcohol, or other highly flammable fuels.
- Never use heater where gasoline, paint thinner, or other highly flammable vapors are present.
- Follow all local ordinances and codes when using heater.
- Use only in well-vented areas. Provide at least a three-square foot (2800 square cm) opening of fresh, outside air for each 29,3 kW (100,000 Btu/Hr) of rating.
- Use only in places free of flammable vapors or high dust content.
- Use only with the electrical voltage and frequency specified on model plate.
- Use only a grounded (earthed) extension cord.
- Minimum heater clearances from combustibles:
Outlet: 250 cm (8 Ft.) Sides, Top, and Rear: 125 cm (8 Ft.)
- Locate heater on a stable and level surface while hot or running or a fire may occur.
- When moving or storing heater, keep heater in a level position or fuel spillage may occur.
- Keep children and animals away from heater.
- Unplug heater when not in use.
- When used with thermostat, heater may start anytime.
- Never use heater in living or sleeping areas.
- Never block air inlet (rear) or air outlet (front) of heater.
- Never move, handle, refuel, or service a hot, operating, or plugged-in heater.
- Never attach duct work to front or rear of heater. Using duct work could reduce the necessary air flow of heater. Heater would produce excessive carbon monoxide.

PRODUCT IDENTIFICATION

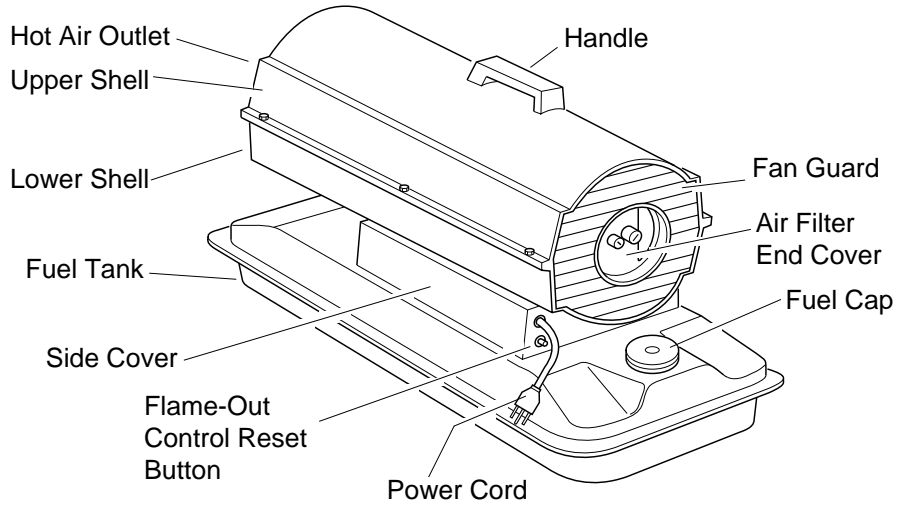


Figure 1 - 8,8/20,5 kW (30/70,000 Btu/Hr) Models

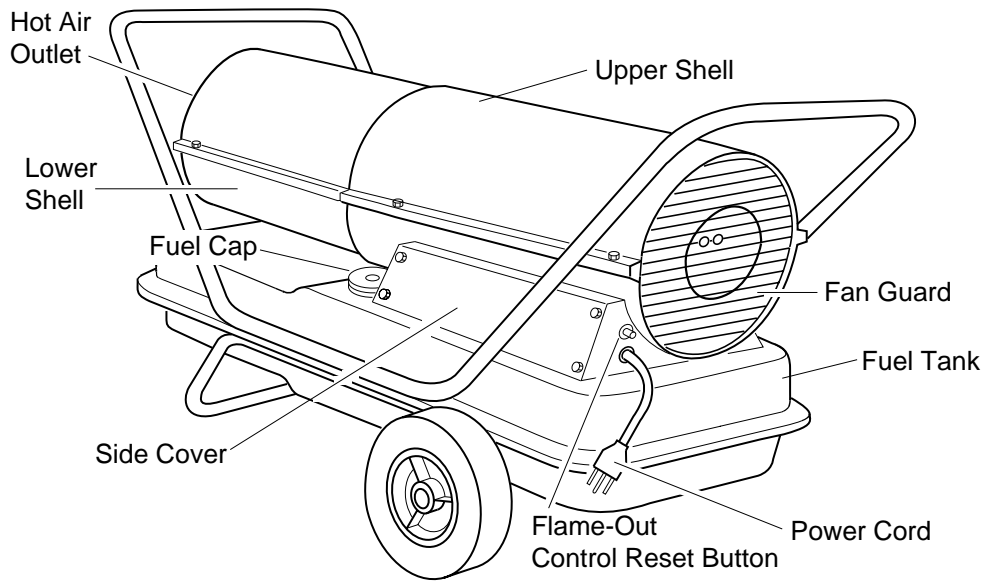


Figure 2 - 26,4 kW (90,000 Btu/Hr) Model

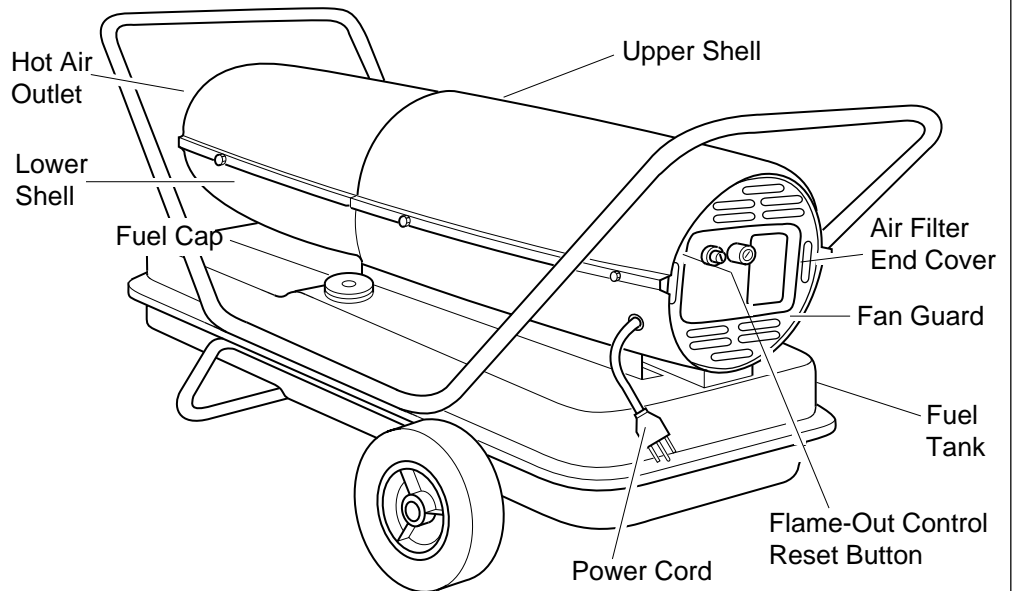


Figure 3 - 44 kW (150,000 Btu/Hr) Model

UNPACKING

ASSEMBLY

(For 26,4 and 44 kW [90,000 and 150,000 Btu/Hr] Models Only)

1. Remove all packing items applied to heater for shipment.
2. Remove all items from carton.
3. Check items for any shipping damage. If heater is damaged, promptly inform dealer where you bought heater.

These models are furnished with wheels and handles. Wheels, handles, and the mounting hardware are found in the shipping carton.

Tools Needed

- Medium Phillips Screwdriver
- 3/8" Open or Adjustable Wrench
- Hammer

1. Slide axle through wheel support frame. Install wheels on axle.
IMPORTANT: When installing wheels, point extended hub of wheels toward wheel support frame (see Figure 4).
2. Place cap nuts on axle ends. Gently tap with hammer to secure.
3. Place heater on wheel support frame. Make sure air inlet end (rear) of heater is over wheels. Line up holes on fuel tank flange with holes on wheel support frame.
4. Place front handle and rear handle on top of fuel tank flange. Insert screws through handles, fuel tank flange, and wheel support frame. Attach nut finger tight after each screw is inserted.
5. After all screws are inserted, tighten nuts firmly.

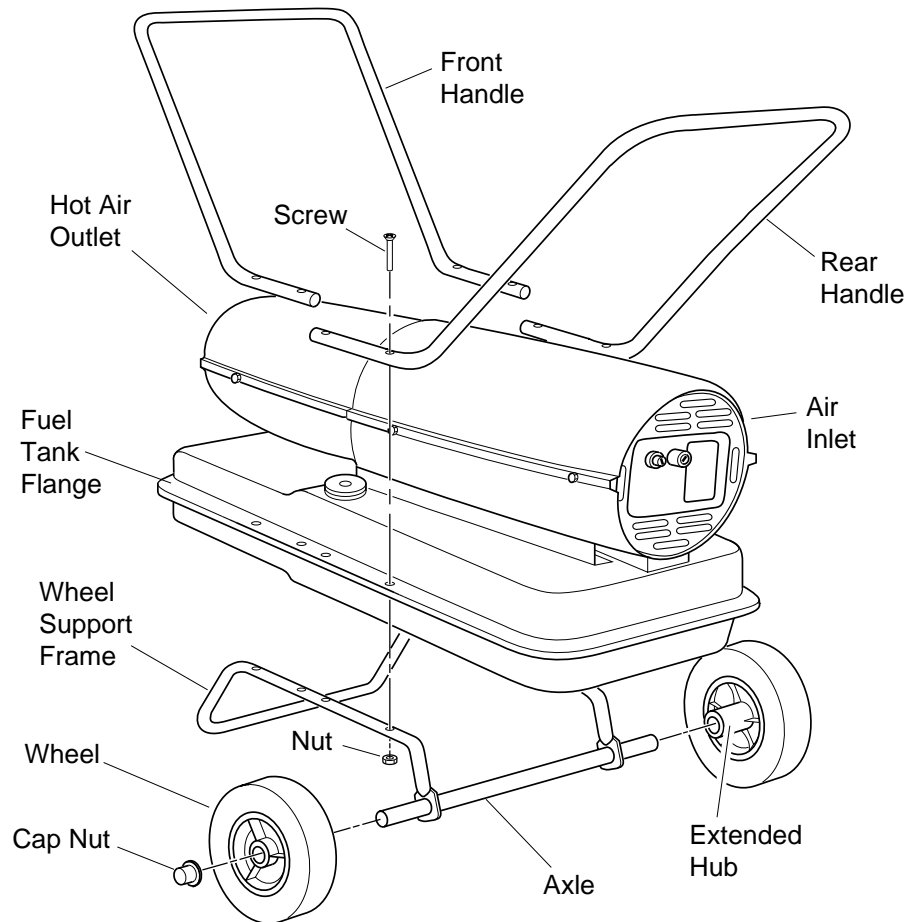


Figure 4 - Wheel and Handle Assembly, 26,4/44 kW (90/150,000 Btu/Hr Models) Only

THEORY OF OPERATION

The Fuel System: The air pump forces air through the air line. The air is then pushed through the burner head nozzle. This air causes fuel to lift from the tank. A fine mist of fuel is sprayed into the combustion chamber.

The Air System: The motor turns the fan. The fan pushes air into and around the combustion chamber. This air is heated and provides a stream of clean, hot air.

The Ignition System: The electronic ignitor sends voltage to the spark plug. The spark plug ignites the fuel and air mixture.

The Flame-Out Control System: This system causes the heater to shut down if the flame goes out.

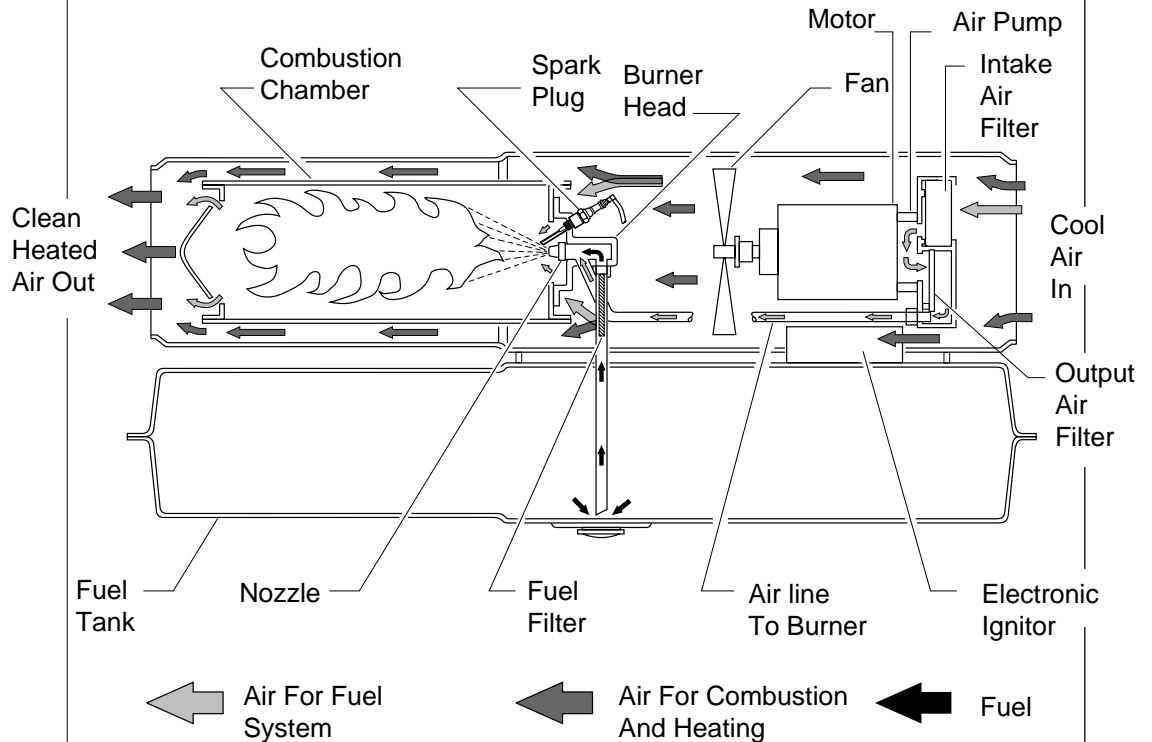


Figure 5 - Cross Section Operational View

FUELS

! WARNING

Use only kerosene or No. 1 fuel oil to avoid risk of fire or explosion. Never use gasoline, naphtha, paint thinners, alcohol or other highly flammable fuels.

Do not use heavy fuels such as No. 2 fuel oil or No. 2 Diesel. Using heavy fuels will result in:

- clogged fuel filter and nozzle
- carbon build up on spark plug
- use of non-toxic anti-icer in fuel during very cold weather

IMPORTANT: Use a KEROSENE ONLY container. Be sure storage container is clean. Foreign matter such as rust, dirt, or water will cause the flame-out control to shut down heater. Foreign matter may also require you to clean fuel system often.

VENTILATION

⚠ WARNING

Follow the minimum fresh, outside air ventilation requirements. If proper fresh, outside air ventilation is not provided, carbon monoxide poisoning can occur. Provide proper fresh, outside air ventilation before running heater.

Provide a fresh air opening of at least 2800 square cm (three square feet) for each 29,3 kW (100,000 Btu/Hr) rating. Provide extra fresh air if more heaters are being used.

Example: A 44 kW (150,000 Btu/Hr) heater requires one of the following:

- a 4,88 m (16 foot) wide two-car garage door raised 8,59 cm (3.38 inches)
- a 2,75 m (9 foot) wide single-car garage door raised 15,24 cm (6 inches)
- two, 76,20 cm (thirty-inch) wide windows raised 28 cm (11 inches)

OPERATION

⚠ WARNING

Review and understand the warnings in the Safety Information Section. They are needed to safely operate this heater. Follow all local codes when using this heater.

To Start Heater

1. Follow all ventilation and safety information.
2. Fill fuel tank with kerosene or No. 1 fuel oil.
3. Attach fuel cap.
4. Plug power cord of heater into standard 230 volt/50 hertz, grounded (earthed) outlet. Use an extension cord if needed. Use only a grounded (earthed) extension cord.

Extension Cord Wire Size Requirements

Up to 100 feet (30.5 meters) long, use 16 AWG (1.0 mm²) conductor

101 to 200 feet (30.6 to 61 meters) long, use 14 AWG (1.5 mm²) conductor

Heater will start when power cord is plugged into outlet. If not, push in flame-out control reset button (see Figures 6 thru 8).

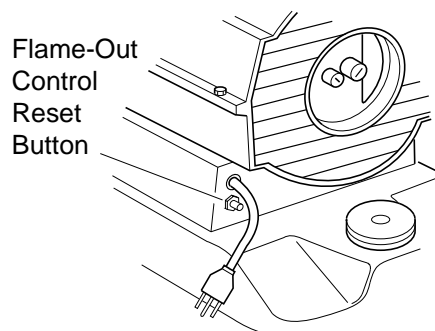


Figure 6 - Flame-Out Control Reset Button, 8,8/20,5 kW (30/70,000 Btu/Hr) Models

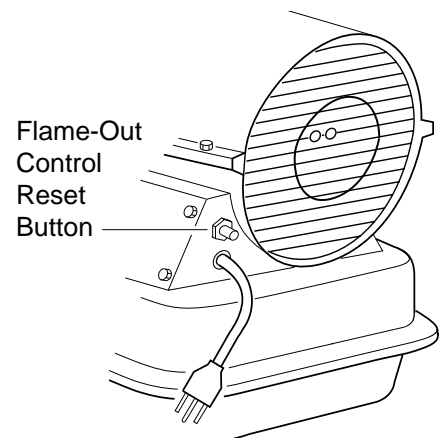


Figure 7 - Flame-Out Control Reset Button, 26,4 kW (90,000 Btu/Hr) Model

Continued

OPERATION

Continued

Flame-Out
Control
Reset Button
(Fan Guard
Removed)

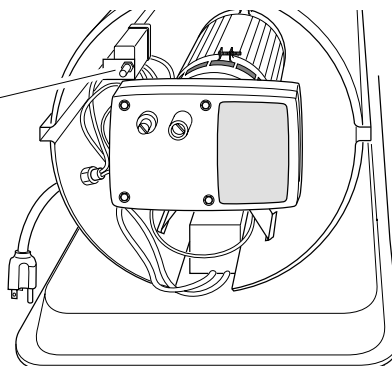


Figure 8 - Flame-Out Control Reset Button, 44 kW (150,000 Btu/Hr) Model

To Stop Heater

1. Unplug power cord from outlet.

To Restart Heater

1. Wait 2 minutes after stopping heater.
2. Repeat steps under *To Start Heater*, page 7.

Note: If shipping, transport companies require fuel tanks to be empty.

1. Drain fuel tank.

Note: Some models have drain plug on underside of fuel tank. If so, remove drain plug to drain all fuel. If heater does not have drain plug, drain fuel through fuel cap opening. Be sure all fuel is removed.

2. Replace drain plug if provided.
3. If any debris is noted in old fuel, add 1 or 2 quarts of clean kerosene to tank, stir, and drain again. This will prevent excess debris from clogging filters during future use.
4. Replace fuel cap or drain plug. Properly dispose of old and dirty fuel. Check with local automotive service stations that recycle oil.
5. If storing, store heater in dry place. Make sure storage place is free of dust and corrosive fumes.

IMPORTANT: Do not store kerosene over summer months for use during next heating season. Using old fuel could damage heater.

WARNING

Never service heater while it is plugged in, operating, or hot. Severe burns and electrical shock can occur.

STORING, TRANSPORTING, OR SHIPPING

PREVENTATIVE MAINTENANCE SCHEDULE

<u>Item</u>	<u>How Often</u>	<u>How To</u>
Fuel tank	Flush every 150-200 hours of operation or as needed.	See <i>Storing, Transporting, or Shipping</i> , above.
Air output and lint filters	Replace every 500 hours of operation or once a year.	See <i>Air Output, Air Intake, and Lint Filters</i> , page 14.
Air intake filter	Wash and dry with soap and water every 500 hours of operation or as needed.	See <i>Air Output, Air Intake, and Lint Filters</i> , page 14.
Fuel filter	Clean twice a heating season or as needed.	See <i>Fuel Filter</i> , pages 10 and 11.


Continued

TROUBLE-SHOOTING

Item	How Often	How To
Spark plug	Clean and regap every 600 hours operation or replace as needed.	See <i>Spark Plug</i> , pages 12 and 13.
Fan blades	Clean every season or as needed. See <i>Fan</i> , page 19.	
Motor	Not required/permanently lubricated	

WARNING

Never service heater while it is plugged in, operating, or hot. Severe burns and electrical shock can occur.

OBSERVED FAULT	POSSIBLE CAUSE	REMEDY
Heater ignites, but flame-out control shuts off heater after a short period of time.	Wrong pump pressure	See <i>Pump Pressure Adjustment</i> , page 14.
	Dirty air output, air intake, and lint filters	See <i>Air Output, Air Intake and Lint Filters</i> , page 14.
	Dirty fuel filter	See <i>Fuel Filter</i> , pages 10 and 11.
	Dirt in nozzle	See <i>Nozzle</i> , pages 15 thru 17.
	Dirty photocell lens	Clean photocell lens.
	Bad flame-out control	Replace flame-out control.
Heater will not ignite, but motor runs for a short period of time.	Wrong pump pressure	See <i>Pump Pressure Adjustment</i> , page 14.
	Carbon deposits on spark plug and/or improper gap	See <i>Spark Plug</i> , pages 12 and 13.
	Dirty fuel filter	See <i>Fuel Filter</i> , pages 10 and 11.
	Dirt in nozzle	See <i>Nozzle</i> , pages 15 thru 17.
	Water in fuel tank	Drain and flush fuel tank with clean kerosene. See <i>Storing, Transporting, or Shipping</i> , page 8.
 WARNING: High voltage!		
	Electronic ignitor not grounded (earthed)	Make sure electronic ignitor mounting is tight.
	Bad electronic ignitor	Replace electronic ignitor.
Motor does not start when heater is plugged in, fan rotates slowly or does not turn.	Flame-out control not reset	Reset flame-out control button, see Figures 6 thru 8, pages 7 and 8.
	Binding pump rotor	If fan is hard to turn, see <i>Pump Rotor</i> , page 18.

SERVICE PROCEDURES

⚠ WARNING

Never service heater while it is plugged in, operating, or hot. Severe burns and electrical shock can occur.

Upper Shell Removal

1. Remove screws along each side of heater using 5/16" nut-driver. These screws attach upper and lower shells together.
2. Lift upper shell off.
3. Remove fan guard.

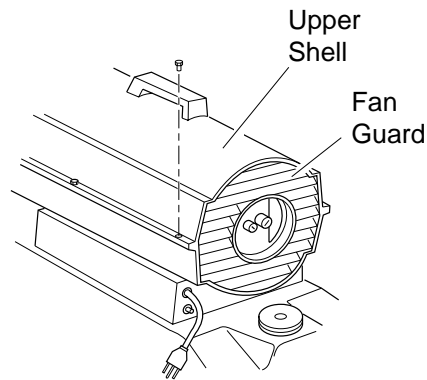


Figure 9 - Upper Shell Removal, 8,8/20,5 kW (30/70,000 Btu/Hr) Models

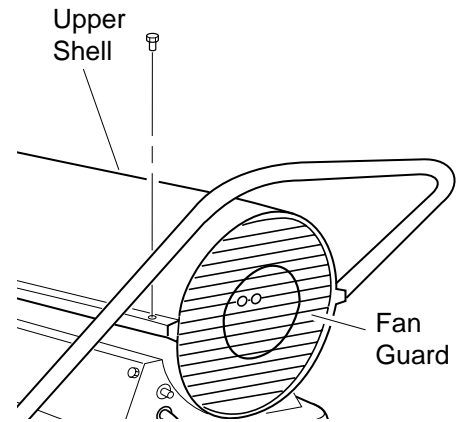


Figure 10 - Upper Shell Removal, 25,4 kW (90,000 Btu/Hr) Model

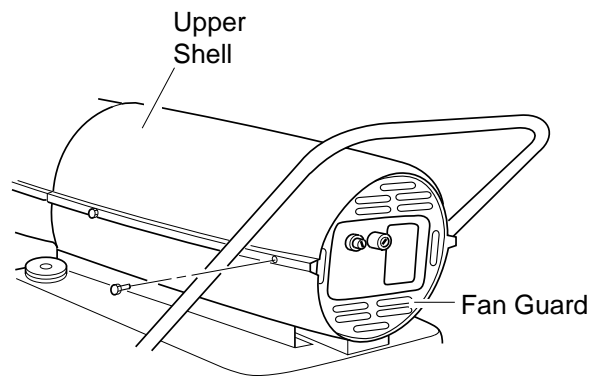


Figure 11 - Upper Shell Removal, 44 kW (150,000 Btu/Hr) Model

Fuel Filter

(8,8/20,5 kW [30/70,000 Btu/Hr] Models)

1. Remove side cover screws using 5/16" nut-driver.
2. Remove side cover.
3. Pull rubber fuel line off fuel filter neck.
4. Carefully pry bushing and fuel filter out of fuel tank.
5. Wash fuel filter with clean fuel and replace in tank.
6. Attach rubber fuel line to fuel filter neck.
7. Replace side cover.

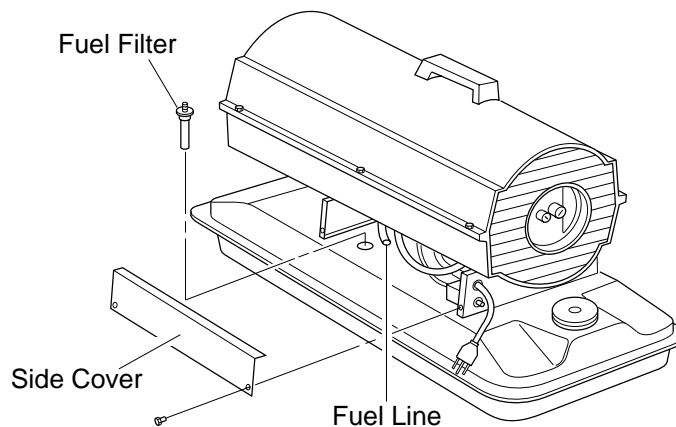


Figure 12 - Fuel Filter Removal, 8,8/20,5 kW (30/70,000 Btu/Hr) Models

Fuel Filter

(26,4 kW [90,000 Btu/Hr] Model)

1. Remove side cover screws using 5/16" nut-driver.
2. Remove side cover.
3. Pull upper fuel line off fuel filter neck.
4. Carefully pry bushing, lower fuel line, and fuel filter out of fuel tank.
5. Wash fuel filter with clean fuel and replace in tank.
6. Attach upper fuel line to fuel filter neck.
7. Replace side cover.

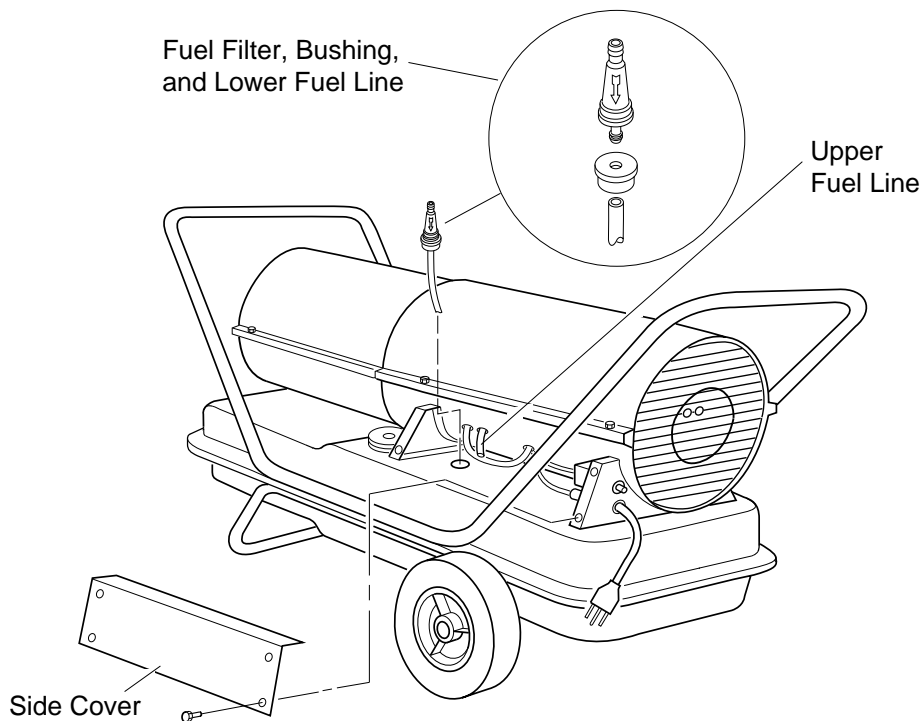


Figure 13 - Fuel Filter Removal, 26,4 kW (90,000 Btu/Hr) Model

Fuel Filter

(44 kW [150,000 Btu/Hr] Model)

1. Remove upper shell (see page 10).
2. Remove fan (see page 19).
3. Loosen flare nut using 3/4" open-end wrench. Push fuel tube down, away from burner head. Fuel filter is located inside of fuel tube.
4. Lift out fuel filter.
5. Wash fuel filter with clean fuel and replace in fuel tube.
6. Connect fuel tube to burner head. Attach flare nut until nut seats against fuel tube and fitting. Tighten 1/4 turn more using 3/4" open-end wrench (100-130 inch-pounds/11.3-14.7 n-m).
7. Replace fan (see page 19).
8. Replace fan guard and upper shell.

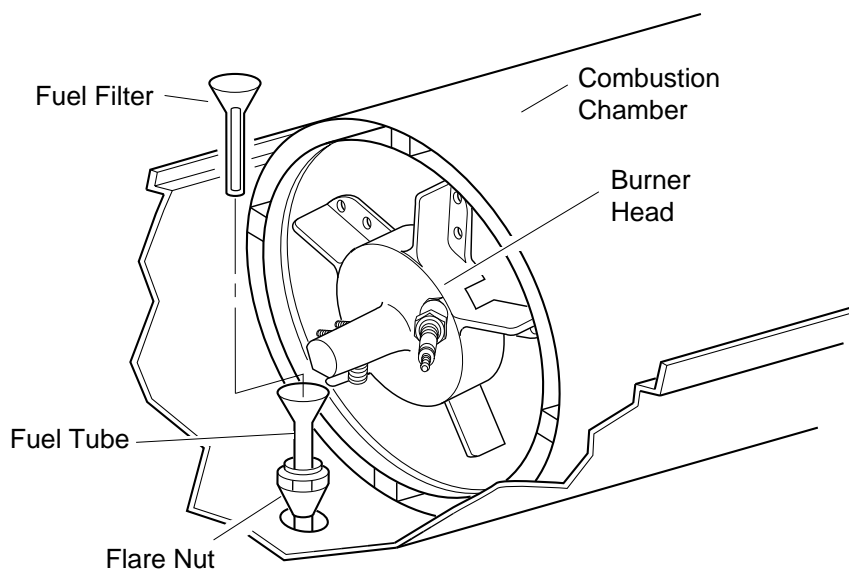


Figure 14 - Fuel Filter Removal, 44 kW (150,000 Btu/Hr) Model

Spark Plug

(8,8 kW [30,000 Btu/Hr] Model)

1. Remove upper shell (see page 10).
2. Remove fan (see page 19).
3. Remove fuel and air line hoses from nozzle assembly.
4. Remove spark plug wire from spark plug.
5. Remove two screws using 5/16" nut-driver and remove burner strap.
6. Place hex-body of spark plug into vise and tighten.
7. Remove spark plug mounting nut using 11/16" open-end wrench.
8. Remove burner strap from spark plug.
9. Clean and regap spark plug electrodes to .055" (1.4 mm) gap.
10. Replace burner strap onto spark plug. Rotate burner strap to position spark plug electrodes (see Figure 17).
11. Tighten spark plug with spark plug mounting nut.
12. Release hex-body of spark plug from vise.
13. Replace burner strap onto combustion chamber.
14. Attach spark plug wire to spark plug.
15. Attach fuel and air line hoses to nozzle assembly.
16. Replace fan (see page 19).
17. Replace fan guard and upper shell.

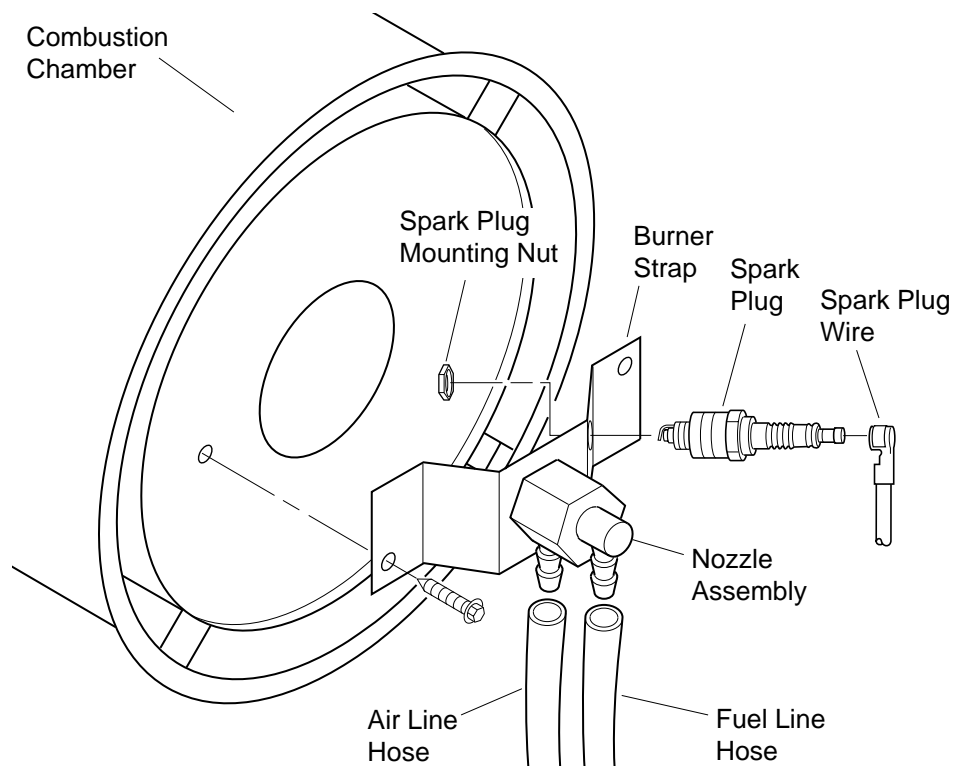


Figure 15 - Spark Plug Removal, 8,8 kW (30,000 Btu/Hr) Model

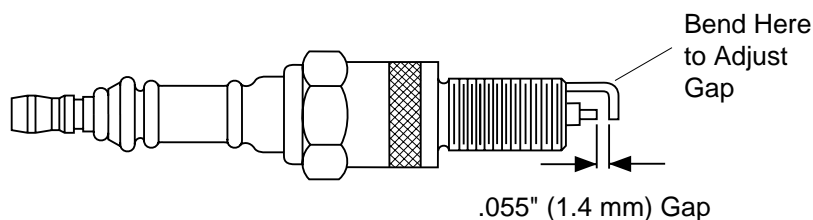


Figure 16 - Spark Plug Gap, 8,8 kW (30,000 Btu/Hr) Model

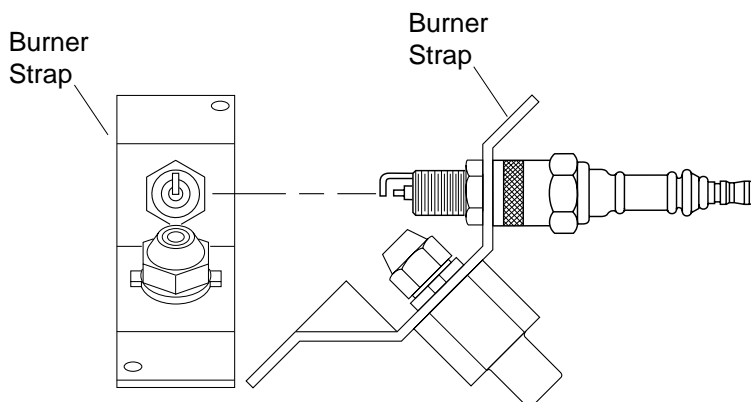


Figure 17 - Spark Plug Rotation, 8,8 kW (30,000 Btu/Hr) Model Only

Spark Plug

(20,5/26,4/44 kW [70/90/150,000 Btu/Hr] Models)

1. Remove upper shell (see page 10).
2. Remove fan (see page 19).
3. Remove spark plug wire from spark plug.
4. Remove spark plug from burner head using 13/16" open-end wrench.
5. Clean and regap spark plug electrodes to .055" (1.4 mm) gap.
6. Install spark plug in burner head.
7. Attach spark plug wire to spark plug.
8. Replace fan (see page 19).
9. Replace fan guard and upper shell.

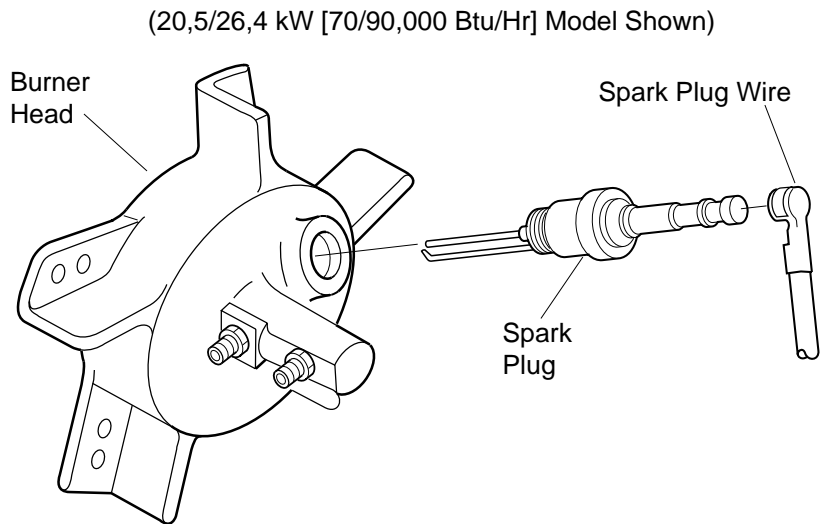


Figure 18 - Spark Plug Removal, 20,5/26,4/44 kW (70/90/150,000 Btu/Hr) Models

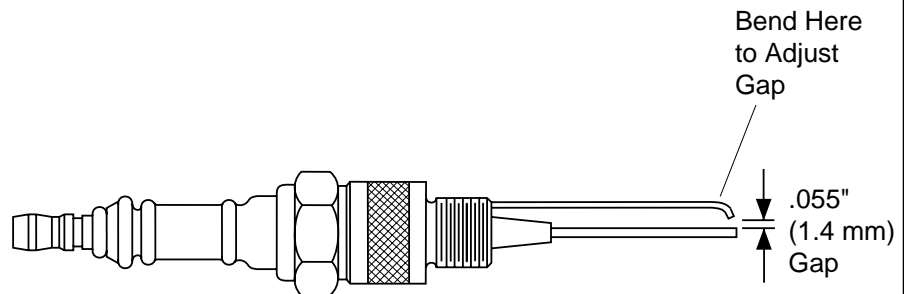


Figure 19 - Spark Plug Gap, 20,5/26,4/44 kW (70/90/150,000 Btu/Hr) Models

Air Output, Air Intake, and Lint Filters

1. Remove upper shell (see page 10).
2. Remove filter end cover screws using 5/16" nut-driver.
3. Remove filter end cover.
4. Replace air output and lint filters.
5. Wash or replace air intake filter (see *Preventative Maintenance Schedule*, page 8).
6. Replace filter end cover.
7. Replace fan guard and upper shell.

IMPORTANT: Do not oil filters

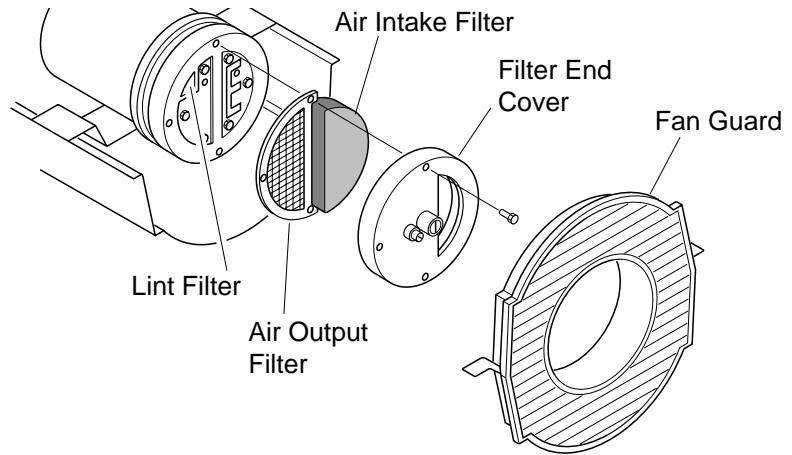


Figure 20 - Air Output, Air Intake, and Lint Filters, 8,8/20,5 kW (30/70,000 Btu/Hr) Models

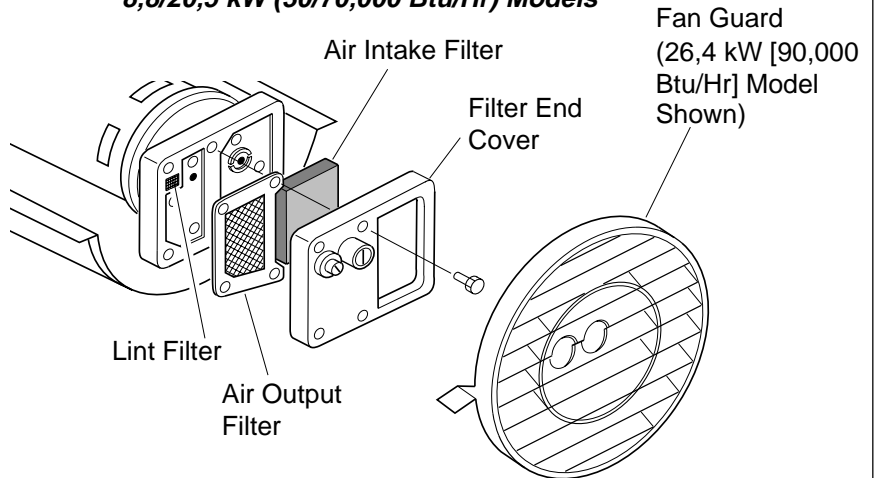


Figure 21 - Air Output, Air Intake, and Lint Filters, 26,4/44 kW (90/150,000 Btu/Hr) Models

(8,8/20,5 kW [30/70,000 Btu/Hr] Models Shown)

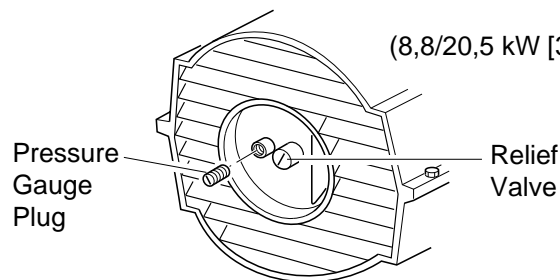


Figure 22 - Pressure Gauge Plug Removal

Pump Pressure Adjustment

1. Remove pressure gauge plug from filter end cover.
2. Install accessory pressure gauge (part number HA1180).
3. Start heater (see *Operation*, page 7). Allow motor to reach full speed.
4. Adjust pressure. Turn relief valve to right to increase pressure. Turn relief valve to left to decrease pressure. See specifications at right for correct pressure for each model.
5. Remove pressure gauge. Replace pressure gauge plug in filter end cover.

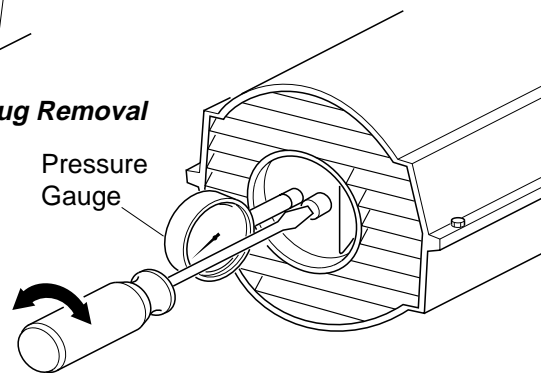


Figure 23 - Adjusting Pump Pressure

Model	Pump Pressure
8,8 kW (30,000 Btu/Hr)	17,93 kPa (2.6 PSI)
20,5 kW (70,000 Btu/Hr)	26,20 kPa (3.8 PSI)
26,4 kW (90,000 Btu/Hr)	30,34 kPa (4.4 PSI)
44 kW (150,000 Btu/Hr)	33,78 kPa (4.9 PSI)

Nozzle

(8,8 kW [30,000 Btu/Hr] Model)

1. Remove upper shell (see page 10).
2. Remove fan (see page 19).
3. Remove fuel and air line hoses from nozzle assembly.
4. Turn nozzle assembly 1/4 turn to left and pull toward motor to remove.
5. Place plastic hex-body into vise and lightly tighten.
6. Carefully remove nozzle from the nozzle adapter using 5/8" socket wrench.
7. Blow compressed air thru face of nozzle. This will free any dirt in nozzle area.
8. Inspect nozzle seal for damage.
9. Replace nozzle into nozzle adapter until nozzle seats. Tighten 1/3 turn more using 5/8" socket wrench (40-45 inch-pounds/4.5-5.1 n-m).
10. Attach nozzle assembly to burner strap.
11. Attach fuel and airline hoses to nozzle assembly.
12. Replace fan (see page 19).
13. Replace fan guard and upper shell.

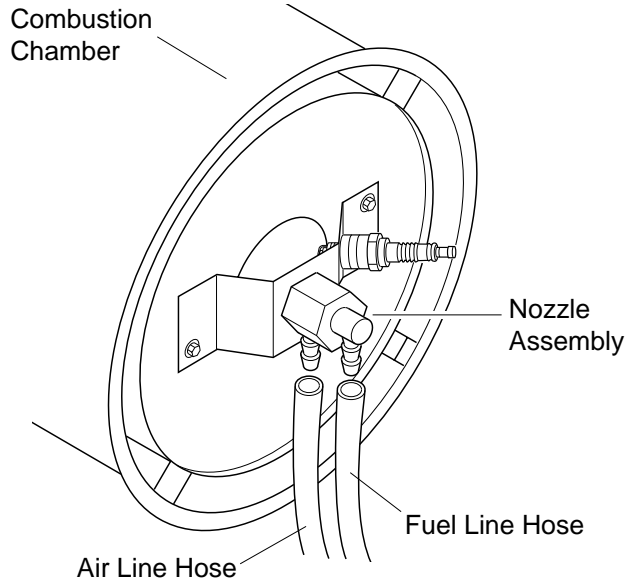


Figure 24 - Removing Air and Fuel Line Hoses, 8,8 kW (30,000 Btu/Hr) Model

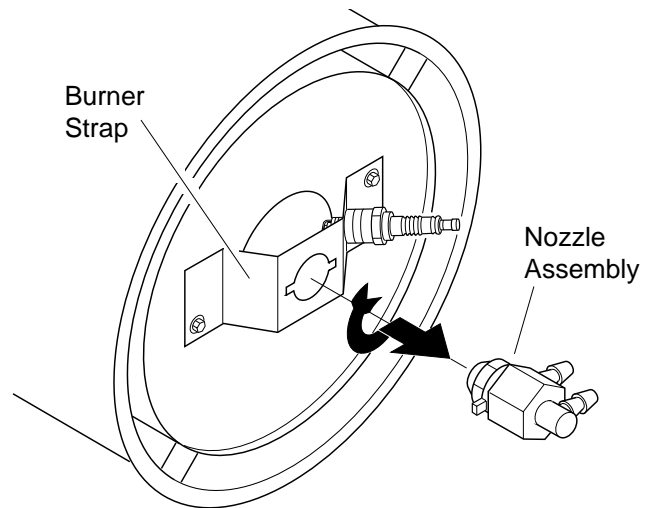


Figure 25 - Removing Nozzle Assembly, 8,8 kW (30,000 Btu/Hr) Model

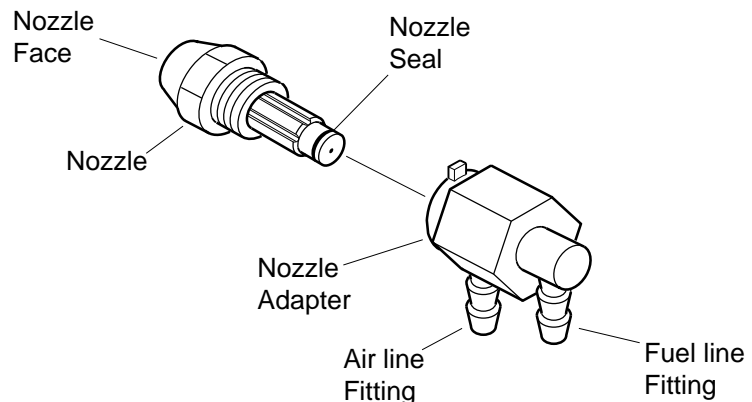


Figure 26 - Nozzle and Nozzle Adapter, 8,8 kW (30,000 Btu/Hr) Model

Nozzle

(20,5/26,4 kW [70/90,000 Btu/Hr] Models)

1. Remove upper shell (see page 10).
2. Remove fan (see page 19).
3. Remove fuel and air line hoses from burner head.
4. Remove spark plug wire from spark plug.
5. Remove spark plug from burner head using 13/16" open-end wrench.
6. Remove three screws using 5/16" nut-driver and remove burner head from combustion chamber.
7. Place burner head into vise and lightly tighten.
8. Carefully remove nozzle from burner head using 5/8" socket wrench (see Figure 28).
9. Blow compressed air thru face of nozzle. This will free any dirt in nozzle area.
10. Inspect nozzle seal for damage.
11. Replace nozzle into burner head and tighten firmly (80-110 inch-pounds/9.1-12.4 n-m).
12. Attach burner head to combustion chamber.
13. Install spark plug in burner head.
14. Attach spark plug wire to spark plug.
15. Attach fuel and airline hoses to burner head.
16. Replace fan (see page 19).
17. Replace fan guard and upper shell.

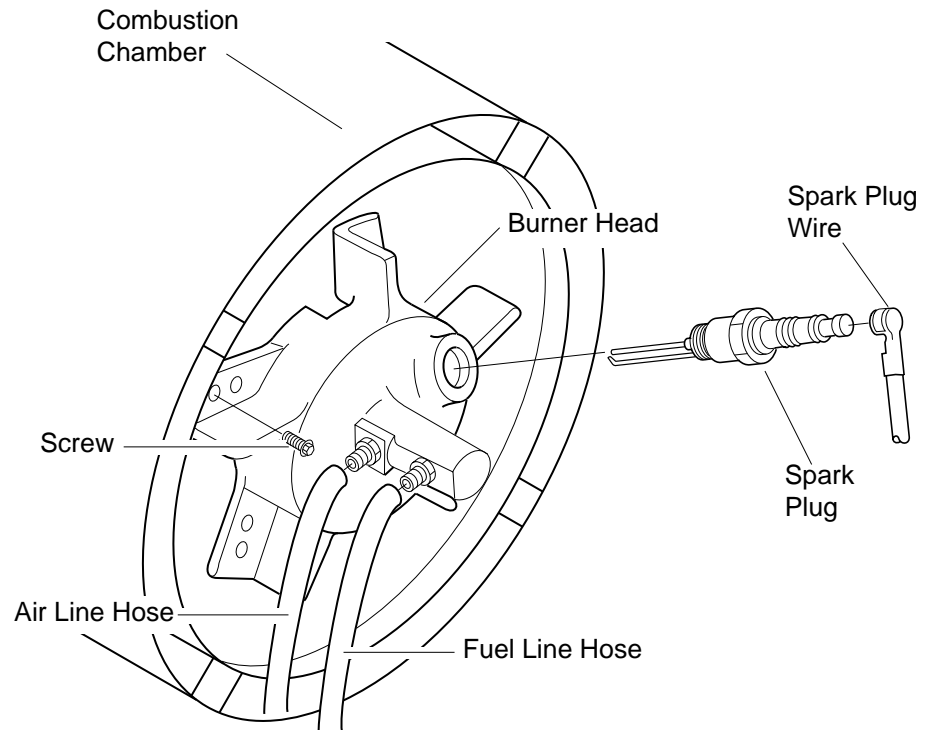


Figure 27 - Removing Burner Head, 20,5/26,4 kW (70/90,000 Btu/Hr) Models

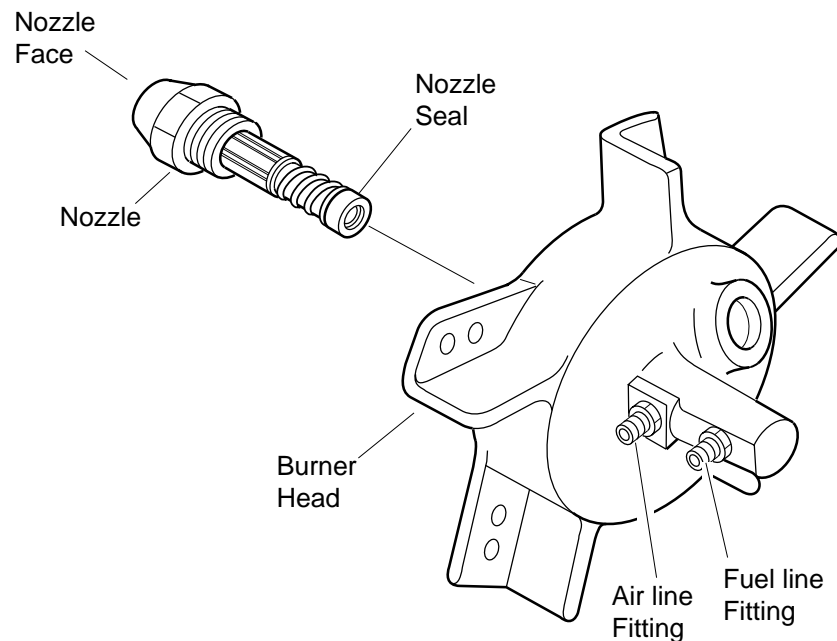


Figure 28 - Removing Nozzle, 20,5/26,4 kW (70/90,000 Btu/Hr) Models

Nozzle

(44 kW [150,000 Btu/Hr] Model)

1. Remove upper shell (see page 10).
2. Remove fan (see page 19).
3. Remove spark plug wire from spark plug.
4. Remove spark plug from burner head using 13/16" open-end wrench.
5. Loosen flare nut using 3/4" open-end wrench. Push fuel tube down.
6. Remove air line hose from burner head.
7. Remove three screws using 5/16" nut-driver and remove burner head from combustion chamber.
8. Place burner head into vise and lightly tighten.
9. Carefully remove nozzle from burner head using 5/8" socket wrench (see Figure 30).
10. Blow compressed air thru face of nozzle. This will free any dirt in nozzle area.
11. Inspect nozzle seal for damage.
12. Replace nozzle into burner head and tighten firmly (80-110 inch-pounds/9.1-12.4 n-m).
13. Attach burner head to combustion chamber.
14. Install spark plug in burner head.
15. Attach spark plug wire to spark plug.
16. Attach fuel tube and airline hose to burner head. Attach flare nut until nut seats against fuel tube and fitting. Tighten 1/4 turn more using 3/4" open-end wrench (100-130 inch-pounds/11.3-14.7 n-m).
17. Replace fan (see page 19).
18. Replace fan guard and upper shell.

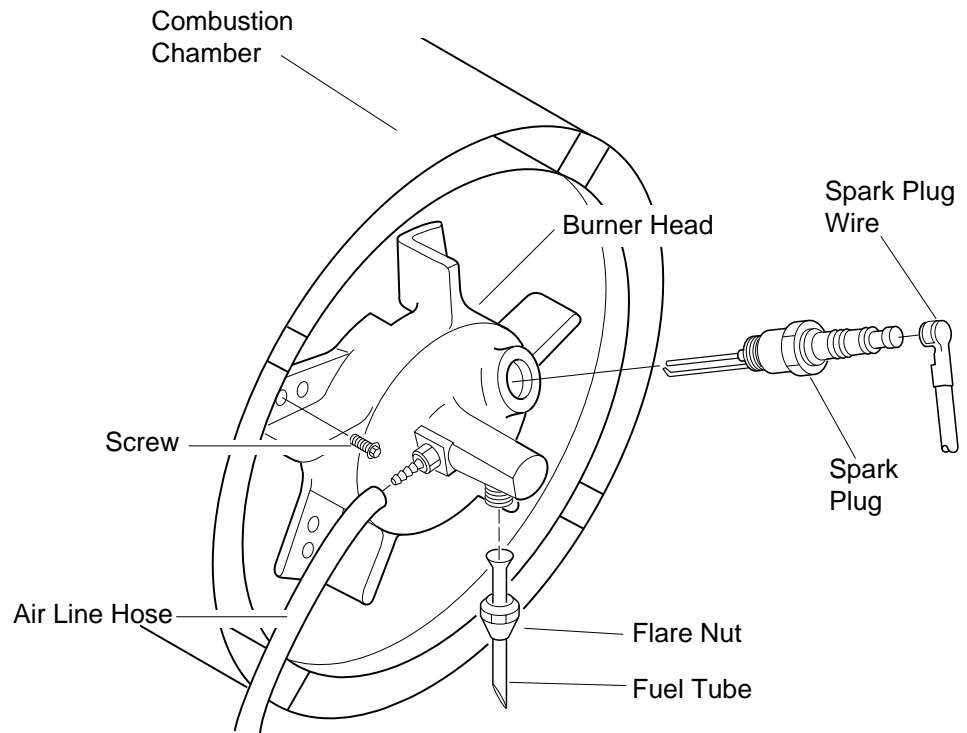


Figure 29 - Removing Burner Head, 44 kW (150,000 Btu/Hr) Model

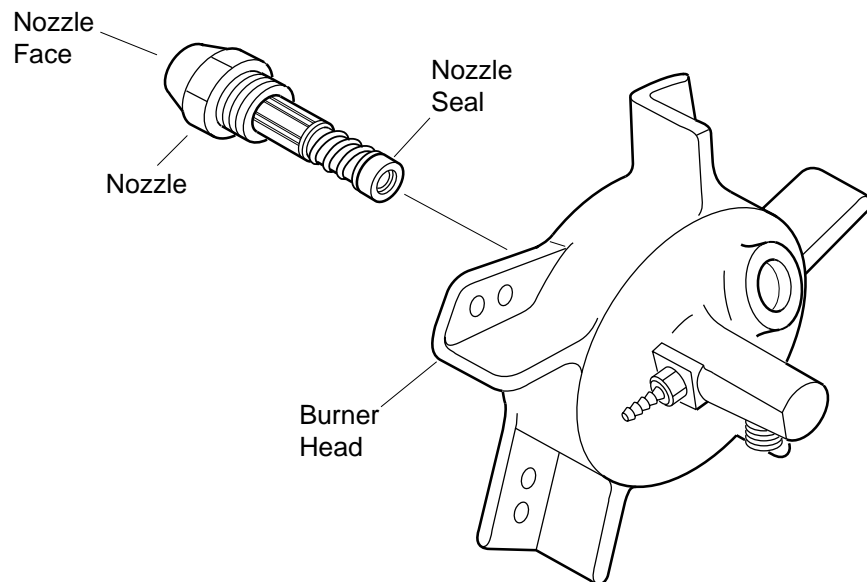


Figure 30 - Removing Nozzle, 44 kW (150,000 Btu/Hr) Model

Pump Rotor

(Procedure if rotor is binding)

1. Remove upper shell (see page 10).
2. Remove filter end cover screws using 5/16" nut-driver.
3. Remove filter end cover and air filters.
4. Remove pump plate screws using 5/16" nut-driver.
5. Remove pump plate.
6. Remove rotor, insert, and blades.
7. Check for debris in pump. If debris is found, blow out with compressed air.
8. Install insert and rotor.
9. Check gap on rotor. Adjust to .003"/.004" (.076/.101 mm) if needed (see Figure 33).

Note: Rotate rotor one full turn to insure the gap is .003"/.004" (.076/.101 mm) at tightest position. Adjust if needed.

10. Install blades, pump plate, air filters, and filter end cover.
11. Replace fan guard and upper shell.
12. Adjust pump pressure (see page 14).

Note: If rotor is still binding, proceed as follows.

13. Perform steps 1 thru 6 above.
14. Place fine grade sandpaper (600 grit) on flat surface. Sand rotor lightly in "figure 8" motion four times (see Figure 34).
15. Reinstall insert and rotor.
16. Perform steps 10 thru 12 above.

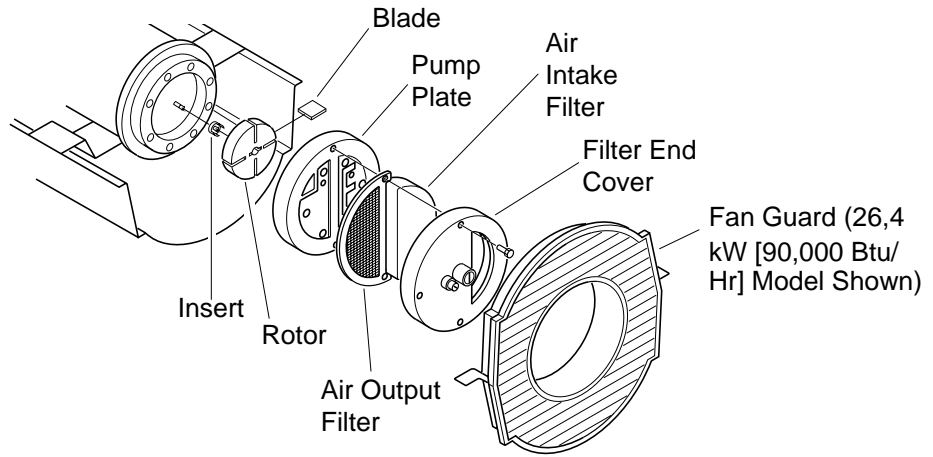


Figure 31 - Rotor Location, 8,8/20,5 kW (30/70,000 Btu/Hr) Models

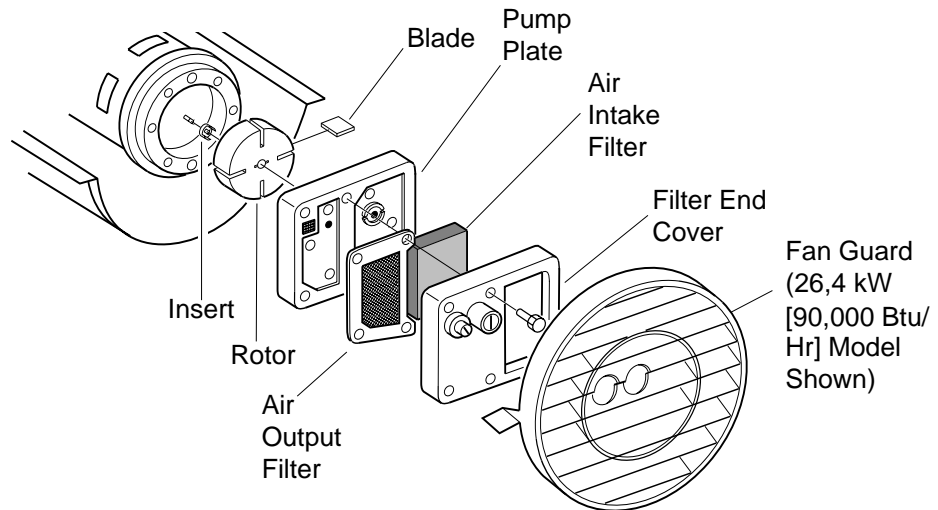


Figure 32 - Rotor Location, 26,4/44 kW (90/150,000 Btu/Hr) Models

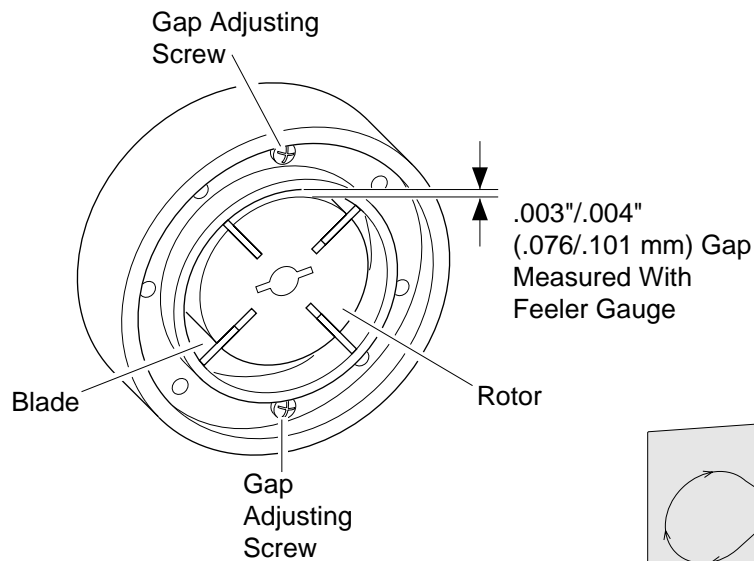


Figure 33 - Gap Adjusting Screw Locations

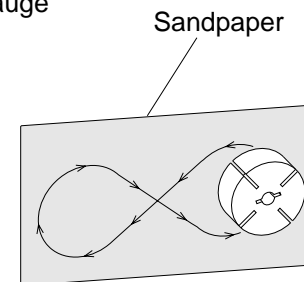


Figure 34 - Sanding Rotor

Fan

IMPORTANT: Remove fan from motor shaft before removing motor from heater. The weight of the motor resting on the fan could damage the fan pitch.

1. Remove upper shell (see page 10).
2. Use 1/8" allen wrench to loosen setscrew which holds fan to motor shaft.
3. Slip fan off motor shaft.
4. Clean fan using a soft cloth moistened with kerosene or solvent.
5. Dry fan thoroughly.
6. Replace fan on motor shaft. Place fan hub flush with end of motor shaft (see Figure 36).
7. Place setscrew on flat of shaft. Tighten setscrew firmly (40-50 inch-pounds/ 4.5-5.6 n-m).
8. Replace fan guard and upper shell.

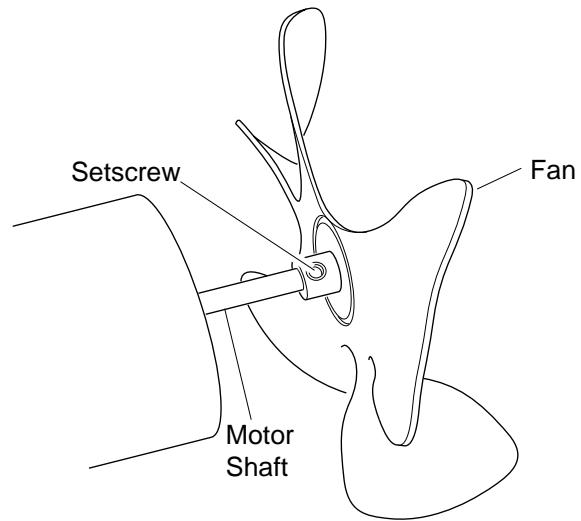


Figure 35 - Fan, Motor Shaft, and Setscrew Location

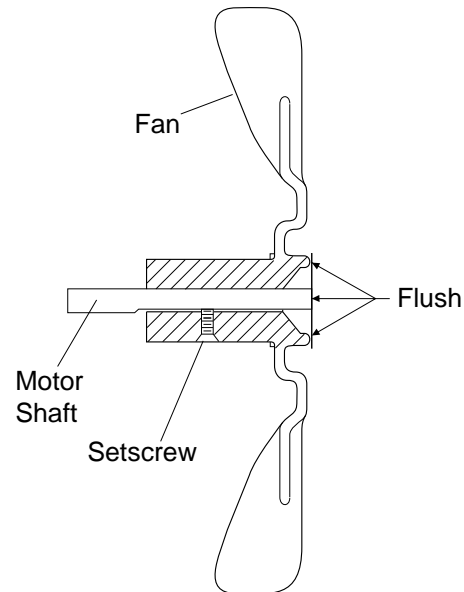


Figure 36 - Fan Cross Section

SPECIFICATIONS

Output Rating (kW)	8,8	20,5	26,4	44
(Btu/Hr)	30,000	70,000	90,000	150,000
Fuel	Use Only Kerosene or No. 1 Fuel Oil			
Fuel Tank Capacity (U.S. Gal./Liters)	3.0/11.35	5.0/18.92	9.0/34.06	13.5/51.09
Fuel Consumption (Gal. Per Hr./Liters Per Hr.)	.23/.87	.49/1.85	.66/2.5	1.10/4.16
Electric Requirements	230 V/50 Hz (Same All Models)			
Amperage (Normal Run)	.8	1.0	1.58	1.5
Hot Air Output (CFM/CMM)	140/3.96	225/6.36	425/12	600/17
RPM	1425	2850	2850	2850

WIRING DIAGRAMS

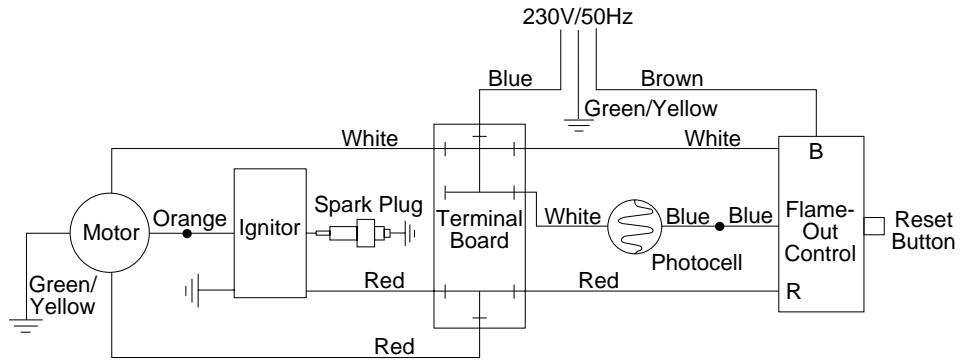


Figure 37 - Wiring Diagram, 8,8 kW (30,000 Btu/Hr) Model

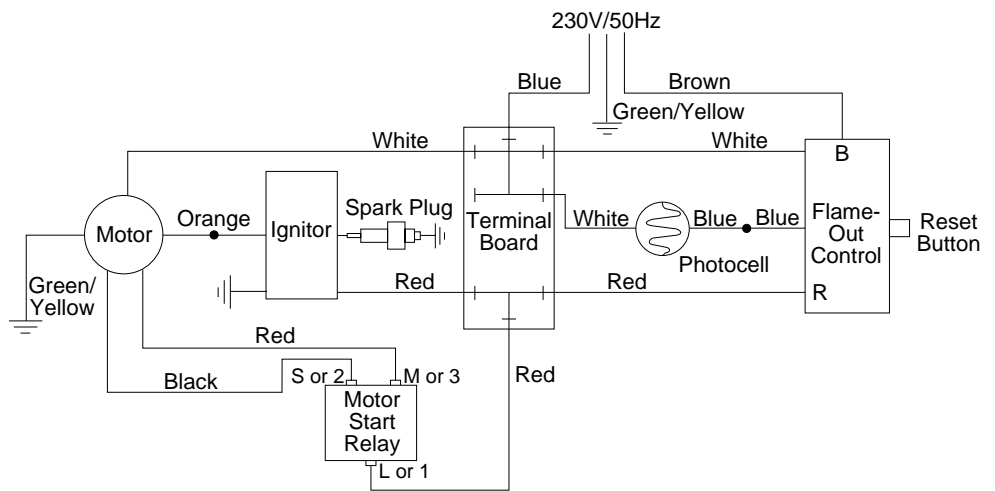


Figure 38 - Wiring Diagram, 20,5/26,4 kW (70/90,000 Btu/Hr) Models

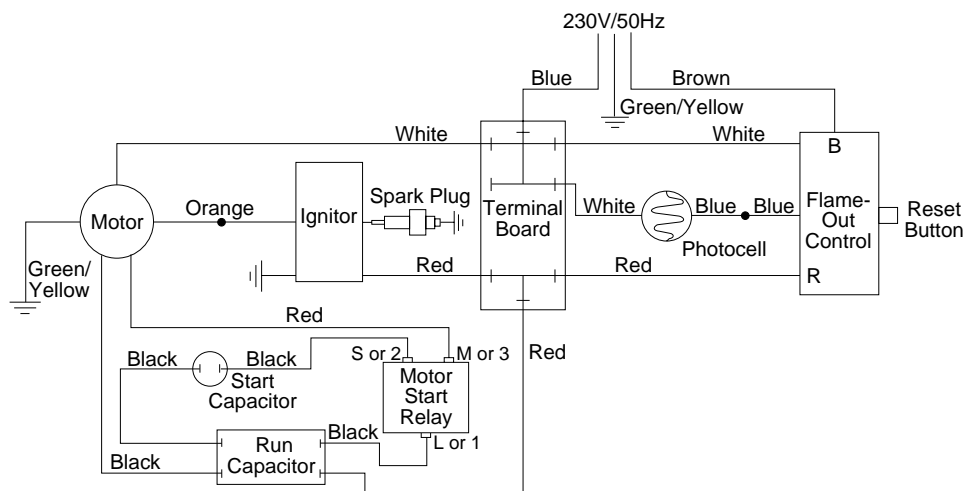
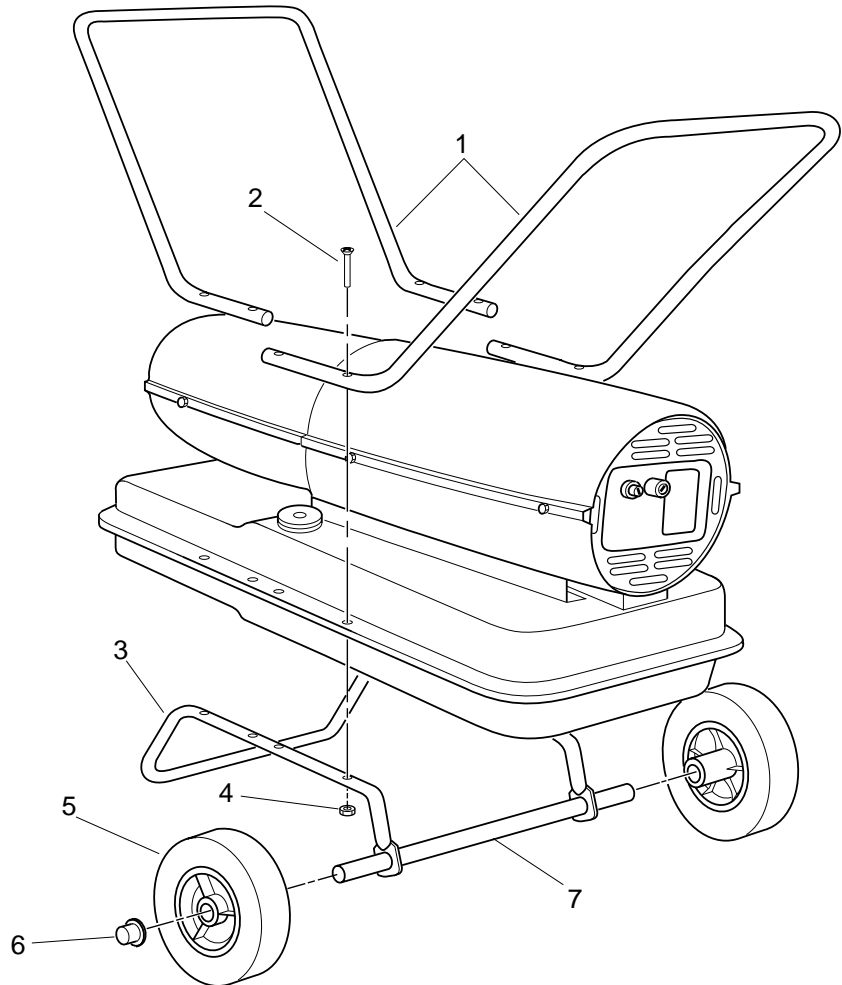


Figure 39 - Wiring Diagram, 44 kW (150,000 Btu/Hr) Model

ILLUSTRATED PARTS BREAKDOWN AND PARTS LIST

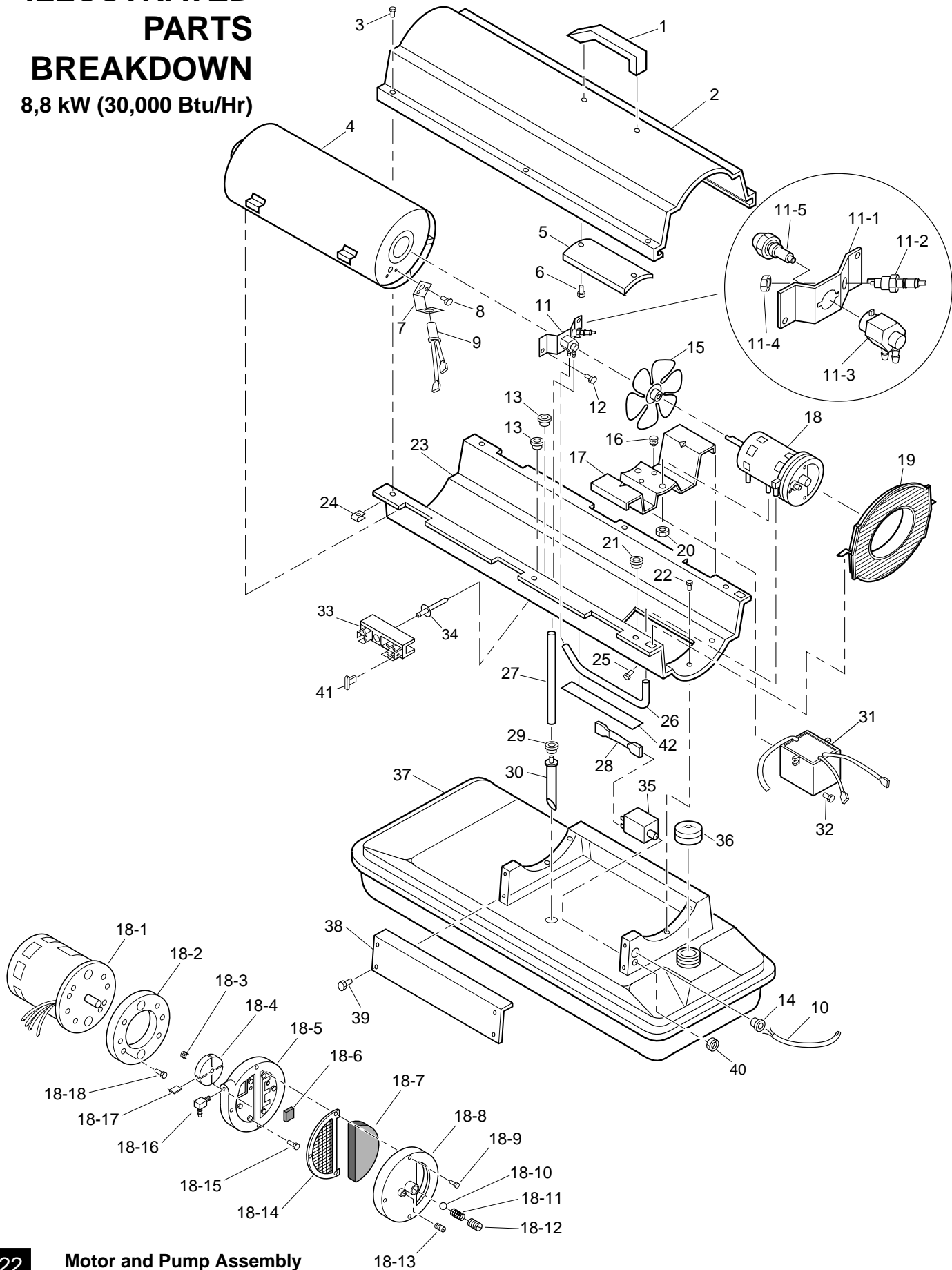
WHEELS AND HANDLES FOR 26,4 and 44 kW (90,000 AND 150,000 Btu/Hr) MODELS

KEY NO.	PART NUMBER	PART DESCRIPTION	26,4 90,000 QTY.	44 150,000 QTY.
1	HA2203	Handles	2	—
	HA2205	Handles	—	2
2	M12345-33	Screw, #10-24 x 1 3/4"	8	8
3	M12342-3	Wheel Support Frame	1	—
	M12831-3	Wheel Support Frame	—	1
4	NTC-3C	Hex Nut, #10-24	8	8
5	097896-01	Wheel	2	2
6	M28526	Cap Nut	2	2
7	M51015-01	Axle	1	—
	M16801-2	Axle	—	1



ILLUSTRATED PARTS BREAKDOWN

8,8 kW (30,000 Btu/Hr)



PARTS LIST

8,8 kW (30,000 Btu/Hr)

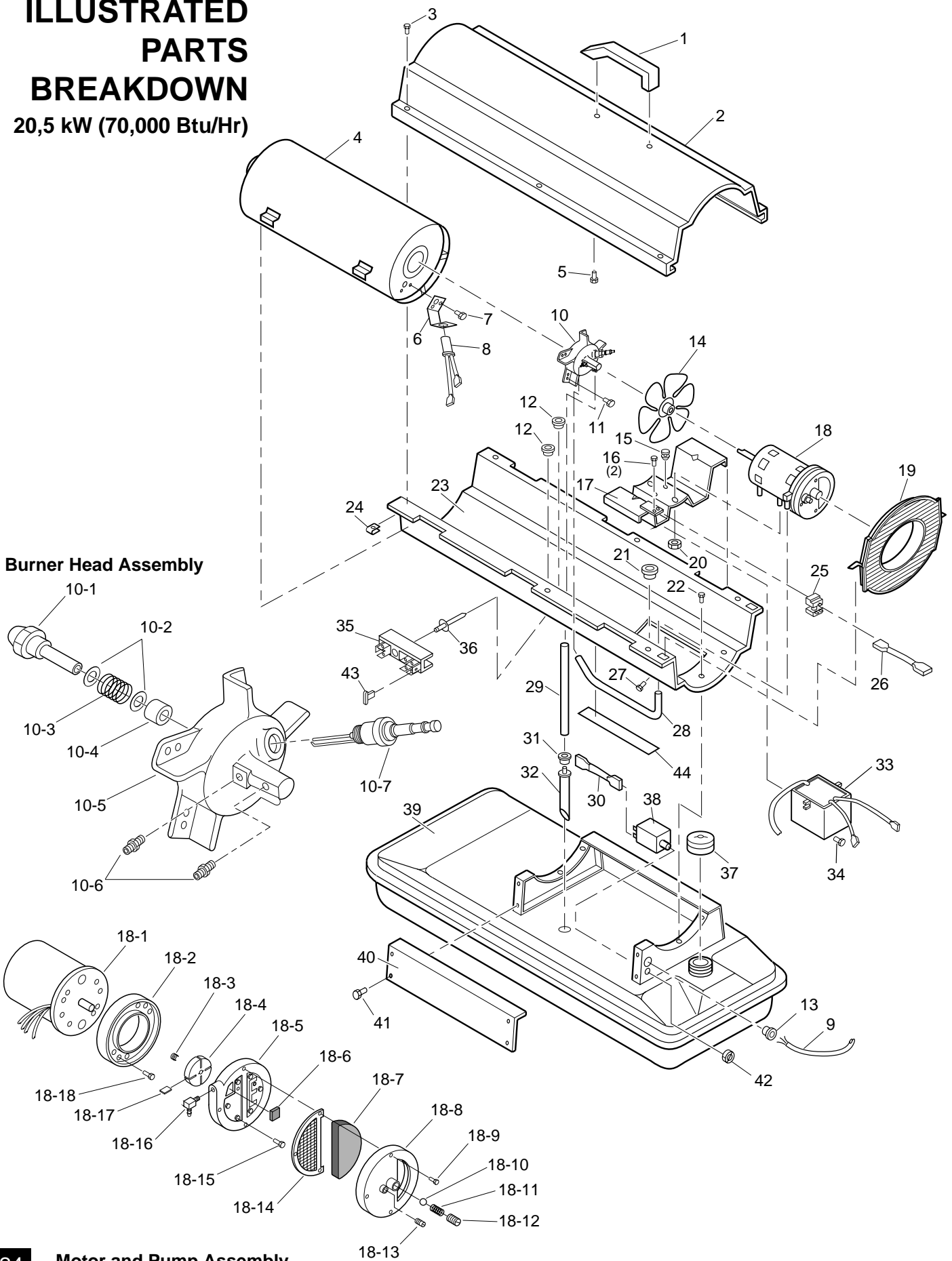
This list contains replaceable parts used in your heater. When ordering parts, be sure to provide the correct model and serial numbers (from the model plate), then the part number and description of the desired part.

KEY NO.	PART NUMBER	PART DESCRIPTION	QTY.	KEY NO.	PART NUMBER	PART DESCRIPTION	QTY.
1	M51104-01	Handle	1	19	M51105-01	Fan Guard	1
2	098511-67	Upper Shell (Black)	1	20	NTC-4C	Hex locknut	2
	098511-54	Upper Shell (Yellow)	1	21	M50104-02	Bushing (wires)	1
3	M15823-27	Screw, #10-16 x 1/2"	6	22	M11084-26	Screw, #10-16 x 3/8"	6
4	098512-05	Combustion Chamber	1	23	098511-81	Lower Shell (Black)	1
5	M51108-01	Heat Shield	1		098511-12	Lower Shell (Yellow)	1
6	M11084-29	Screw, #10-16 x 3/4"	2	24	M11271-8	Clip Nut	6
7	M16660	Photocell Bracket	1	25	M15823-37	Screw, #8-18 x 1/4"	1
8	M10908-2	Screw, #6-32 x 3/8"	2	26	M29652-04	Rubber Airline	1
9	HA3019	Photocell Assembly	1	27	M29652-05	Fuel Line	1
10	079673-03	Power Cord	1	28	M16841-57	Wire Assembly (red 8 1/2")	1
11	**	Burner Strap Assembly	1	29	M10990-3	Rubber Bushing	1
11-1	097124-01	Bracket	1	30	M50876-04	Fuel Filter Assembly (Includes bushing)	1
11-2	M29835-2	Spark Plug	1				
11-3	079980-01	Nozzle Adapter	1	31	098557-07	Electronic Ignitor	1
11-4	M29824	Nut, 14mm	1	32	M11084-29	Screw, #10-16 x 3/4"	2
11-5	M29681	Nozzle	1	33	099125-02	Terminal Board	1
12	M11084-26	Screw, #10-16 x 3/8"	2	34	099157-01	Rivet	1
13	M30865-02	Bushing	2	35	097630-02	Flame-Out Control	1
14	M11143-1	Strain Relief Bushing	1	36	097702-01	Fuel Tank Cap	1
15	M30884	Fan	1	37	098513-23	Fuel Tank	1
16	M50631	Rubber Bumper	2	38	M50899-03AA	Side Cover	1
17	098138-01	Motor Bracket	1	39	M11084-26	Screw, #10-16 x 3/8"	2
18	**	Motor and Pump Assembly	1	40	099177-01	Hex Nut	1
18-1	098642-02	Motor (230V/50Hz)	1	41	078918-01	Terminal Board Tab Cap	1
18-2	M8645-2	Pump Body	1	42	097785-01	Vinyl Foam Gasket	1
18-3	M22009	Insert	1	PARTS AVAILABLE - NOT SHOWN			
18-4	M22456-2	Rotor	1				
18-5	M29608	End Pump Cover	1		M18053	Filler Neck Screen	1
18-6	M29632	Lint Filter	1		097764-04	Tradename Decal (Black Shell)	2
18-7	M29633	Intake Filter	1		097649-01	Tradename Decal (Yellow Shell)	1
18-8	M29609	End Filter Cover	1		098234-31	General Info. Decal (English, Black Shell)	1
18-9	M12461-31	Screw, #10-32 x 1"	3		100941-01	General Info. Decal (Spanish, Black Shell)	1
18-10	M8940	Steel Ball (1/4" Dia.)	1		098234-48	General Info. Decal (English, Yellow Shell)	1
18-11	M10993-1	Pressure Relief Spring	1		100941-04	General Info. Decal (Spanish, Yellow Shell)	1
18-12	M27694	Adjusting Screw	1				
18-13	M22997	Plug	1				
18-14	M29612-01	Output Filter	1				
18-15	M12461-32	Screw, #10-32 x 1 1/8"	6				
18-16	M50016	Elbow, 90° (Barb Fitting)	1				
18-17	M8643-2	Blade	4				
18-18	FHPF3-6C	Screw, #10-32 x 3/4"	2				

**Not available as an assembly, order parts separately.

ILLUSTRATED PARTS BREAKDOWN

20,5 kW (70,000 Btu/Hr)



Burner Head Assembly

24 Motor and Pump Assembly

PARTS LIST

20,5 kW (70,000 Btu/Hr)

This list contains replaceable parts used in your heater. When ordering parts, be sure to provide the correct model and serial numbers (from the model plate), then the part number and description of the desired part.

KEY NO.	PART NUMBER	PART DESCRIPTION	QTY.	KEY NO.	PART NUMBER	PART DESCRIPTION	QTY.
1	M51104-01	Handle	1	19	M51105-01	Fan Guard	1
2	098511-67	Upper Shell (Black)	1	20	NTC-4C	Hex locknut	2
	098511-54	Upper Shell (Yellow)	1	21	M50104-02	Bushing (wires)	1
3	M15823-27	Screw, #10-16 x 1/2"	6	22	M11084-26	Screw, #10-16 x 3/8"	6
4	098512-12	Combustion Chamber	1	23	098511-81	Lower Shell (Black)	1
5	M11084-29	Screw, #10-16 x 3/4"	2		098511-12	Lower Shell (Yellow)	1
6	M16660	Photocell Bracket	1	24	M11271-8	Clip Nut	6
7	M10908-2	Screw, #6-32 x 3/8"	2	25	098136-02	Relay (motor start)	1
8	HA3019	Photocell Assembly	1	26	M16841-58	Wire Assembly (red 9 1/2")	1
9	079673-03	Power Cord	1	27	M15823-37	Screw, #8-18 x 1/4"	1
10	**	Burner Head Assembly	1	28	M29652-04	Rubber Airline	1
10-1	M50880-01	Nozzle	1	29	079973-01	Fuel Line	1
10-2	M10659-1	Nozzle Seal Washer	2	30	M16841-57	Wire Assembly (red 8 1/2")	1
10-3	M10809-1	Nozzle Seal Spring	1	31	M10990-3	Rubber Bushing	1
10-4	M8882	Nozzle Seal Sleeve	1	32	M50876-05	Fuel Filter Assembly (Includes bushing)	1
10-5	M51098-02	Burner Head Body	1				
10-6	M50820-01	Barb Fitting	2	33	098557-07	Electronic Ignitor	1
10-7	M10962-2	Spark Plug	1	34	M11084-29	Screw, #10-16 x 3/4"	2
11	M11084-27	Screw, #10-16 x 1/2"	3	35	099125-02	Terminal Board	1
12	M30865-02	Bushing	2	36	099157-01	Rivet	1
13	M11143-1	Strain Relief Bushing	1	37	097702-01	Fuel Tank Cap	1
14	097026-01	Fan	1	38	097630-02	Flame-Out Control	1
15	M50631	Rubber Bumper	2	39	098513-24	Fuel Tank	1
16	M12461-13	Screw, #8-32 x 1/4" (holds relay in position)	2	40	M50899-03AA	Side Cover	1
				41	M11084-26	Screw, #10-16 x 3/8"	2
17	098138-01	Motor and Relay Bracket Assembly	1	42	099177-01	Hex Nut	1
18	**	Motor and Pump Assembly	1	43	078918-01	Terminal Board Tab Cap	1
18-1	098782-02	Motor (230V/50Hz)	1	44	097785-01	Vinyl Foam Gasket	1
18-2	079975-01	Pump Body	1	PARTS AVAILABLE - NOT SHOWN			
18-3	M22009	Insert	1				
18-4	M22456-1	Rotor	1		M18053	Filler Neck Screen	1
18-5	M29608	End Pump Cover	1		097764-03	Tradename Decal (Black Shell)	2
18-6	M29632	Lint Filter	1		097649-01	Tradename Decal (Yellow Shell)	1
18-7	M29633	Intake Filter	1		098234-43	General Info. Decal (English, Black Shell)	1
18-8	M29609	End Filter Cover	1		100941-02	General Info. Decal (Spanish, Black Shell)	1
18-9	M12461-31	Screw, #10-32 x 1"	3		098234-49	General Info. Decal (English, Yellow Shell)	1
18-10	M8940	Steel Ball (1/4" Dia.)	1		100941-05	General Info. Decal (Spanish, Yellow Shell)	1
18-11	M10993-1	Pressure Relief Spring	1				
18-12	M27694	Adjusting Screw	1				
18-13	M22997	Plug	1				
18-14	M29612-01	Output Filter	1				
18-15	M12461-31	Screw, #10-32 x 1"	6				
18-16	M50016	Elbow, 90° (Barb Fitting)	1				
18-17	M8643	Blade	4				
18-18	FHPF3-2C	Screw, #10-32 x 1/4"	2				

**Not available as an assembly, order parts separately.

PARTS LIST

26,4 kW (90,000 Btu/Hr)

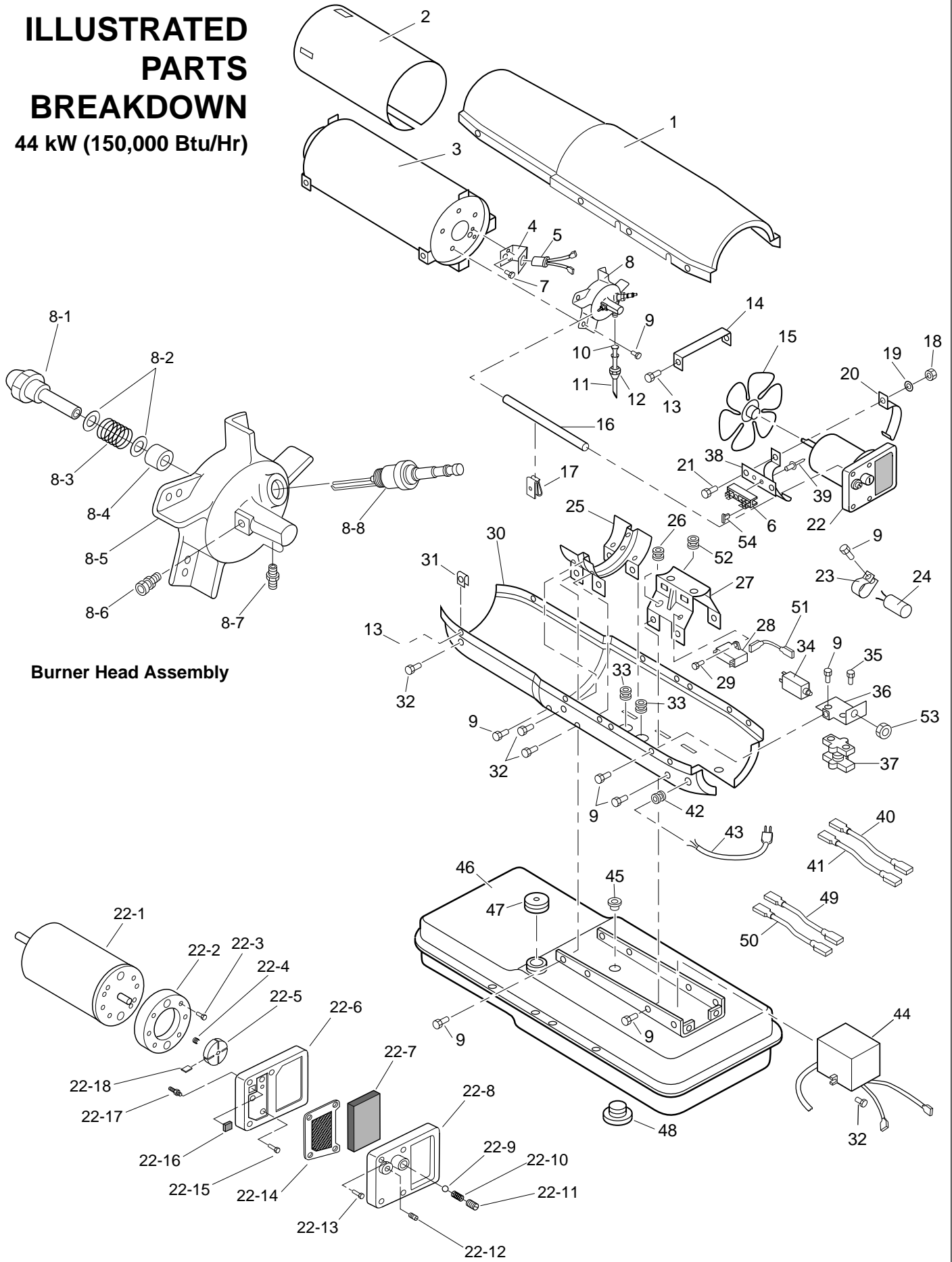
This list contains replaceable parts used in your heater. When ordering parts, be sure to provide the correct model and serial numbers (from the model plate), then the part number and description of the desired part.

KEY NO.	PART NUMBER	PART DESCRIPTION	QTY.	KEY NO.	PART NUMBER	PART DESCRIPTION	QTY.
1	098511-66	Upper Shell (Black)	1	19	M16841-59	Wire Assembly (red 13 1/2")	1
	098511-138	Upper Shell (Yellow)	1	20	NTC-4C	Hex locknut	2
2	M15823-27	Screw, #10-16 x 1/2"	6	21	098557-07	Electronic Ignitor	1
3	098512-07	Combustion Chamber	1	22	M11084-29	Screw, #10-16 x 3/4"	2
4	M16660	Photocell Bracket	1	23	099125-02	Terminal Board	1
5	HA3019	Photocell Assembly	1	24	099157-01	Rivet	1
6	M27417	Drain Plug	1	25	M30865-02	Bushing	1
7	M10908-2	Screw, #6-32 x 3/8"	2	26	M30865-02	Bushing	1
8	**	Burner Head Assembly	1	27	M50104-01	Bushing	2
8-1	M23103	Nozzle	1	28	099213-01	Button Plug	1
8-2	M10659-1	Nozzle Seal Washer	2	29	M11084-27	Screw, #10-16 x 1/2"	6
8-3	M10809-1	Nozzle Seal Spring	1	30	098511-82	Lower Shell (Black)	1
8-4	M8882	Nozzle Seal Sleeve	1		098511-140	Lower Shell (Yellow)	1
8-5	M50924-03	Burner Head Body	1	31	M11271-8	Clip Nut	6
8-6	M50820-02	Barb Fitting	2	32	M15823-37	Screw, #8-18 x 1/4"	1
8-7	M10962-2	Spark Plug	1	33	M51150-01	Fuel filter	1
9	M11084-27	Screw, #10-16 x 1/2"	3	34	M10990-3	Rubber Bushing	1
10	M50814-06	Air Line	1	35	M51151-01	Fuel Line	1
11	M51345-01	Fuel Line	1	36	098513-21	Fuel Tank	1
12	097293-01	Fan	1	37	097702-01	Fuel Tank Cap	1
13	**	Motor and Pump Assembly	1	38	M16841-57	Wire Assembly (red 8 1/2")	1
13-1	098783-02	Motor (230V/50Hz)	1	39	097630-02	Flame-Out Control	1
13-2	079975-01	Pump Body	1	40	M11143-1	Strain Relief Bushing	1
13-3	FHPF3-2C	Screw, #10-32 x 1/4"	2	41	079673-03	Power Cord	1
13-4	M22009	Insert	1	42	M51077-01AA	Side Cover	1
13-5	M22456-1	Rotor	1	43	M11084-27	Screw, #10-16 x 1/2"	4
13-6	M50545	End Pump Cover	1	44	078918-01	Terminal Board Tab Cap	1
13-7	M12179	Intake Filter	1	45	099177-01	Hex Nut	1
13-8	M16545	End Filter Cover	1	46	097468-01	Edge Liner	1
13-9	M8940	Steel Ball (1/4" Dia.)	1	PARTS AVAILABLE - NOT SHOWN			
13-10	M10993-1	Pressure Relief Spring	1		M18053	Filler Neck Screen	1
13-11	M27694	Adjusting Screw	1		097773-01	Tradename Decal (Black Shell)	2
13-12	M22997	Plug	1		097650-01	Tradename Decal (Yellow Shell)	1
13-13	M12461-31	Screw, #10-32 x 1"	4		098234-44	General Info. Decal (English, Black Shell)	1
13-14	M12244-1	Output Filter	1		100941-03	General Info. Decal (Spanish, Black Shell)	1
13-15	M12461-31	Screw, #10-32 x 1"	6		098234-50	General Info. Decal (English, Yellow Shell)	1
13-16	M11637	Lint Filter	1		100941-06	General Info. Decal (Spanish, Yellow Shell)	1
13-17	M50820-02	Barb Fitting	1				
13-18	M8643	Blade	4				
14	M51114-01	Fan Guard	1				
15	M50631	Rubber Bumper	2				
16	M12461-13	Screw, #8-32 x 1/4"	2				
17	098138-02	Motor and Relay Bracket Assembly	1				
18	098136-04	Relay (motor start)	1				

**Not available as an assembly, order parts separately.

ILLUSTRATED PARTS BREAKDOWN

44 kW (150,000 Btu/Hr)



Burner Head Assembly

PARTS LIST

44 kW (150,000 Btu/Hr)

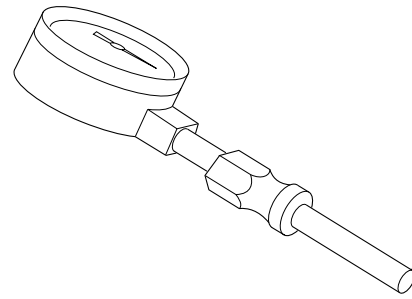
This list contains replaceable parts used in your heater. When ordering parts, be sure to provide the correct model and serial numbers (from the model plate), then the part number and description of the desired part.

KEY NO.	PART NUMBER	PART DESCRIPTION	QTY.	KEY NO.	PART NUMBER	PART DESCRIPTION	QTY.
1	098511-68	Upper Shell (Black)	1	23	M12651-1	Capacitor Clamp	1
	098511-58	Upper Shell (Yellow)	1	24	M12650-3	Capacitor	1
2	098068-01	Heat Deflector	1	25	M12828	Shell Support Bracket	1
3	098512-02	Combustion Chamber	1	26	M30865-04	Open/Closed Bushing	1
4	M16660	Photocell Bracket	1	27	M16645	Motor Support Bracket	1
5	HA3019	Photocell Assembly	1	28	M51357-01	Capacitor (Run)	1
6	099125-02	Terminal Board	1	29	M15823-39	Screw, #8-18 x 1/2"	1
7	M10908-2	Screw, #6-32 x 3/8"	2	30	098511-80	Lower Shell (Black)	1
8	**	Burner Head Assembly	1		098511-101	Lower Shell (Yellow)	1
8-1	M18022	Nozzle	1	31	M11271-8	Nut Clip	9
8-2	M10659-1	Nozzle Seal Washer	2	32	M11084-29	Screw, #10-16 x 3/4"	8
8-3	M10809-1	Nozzle Seal Spring	1	33	M50104-03	Shorty Bushing	2
8-4	M8882	Nozzle Seal Sleeve	1	34	097630-02	Flame-Out Control	1
8-5	M50924-01	Burner Head Body	1	35	M12461-13	Screw, #8-32 x 1/4"	2
8-6	M50820-02	Barb Fitting	1	36	097060-01	Mounting Bracket	1
8-7	079685-01	Male Connector	1	37	M12462-13	Relay-Motor Start	1
8-8	M10962-2	Spark Plug	1	38	099607-01	Terminal Board Bracket	1
9	M11084-27	Screw, #10-16 x 1/2"	18	39	099157-01	Rivet	1
10	M19630	Fuel Filter	1	40	M9900-183	Wire Assembly (black 6")	1
11	M16790-12	Fuel Tube	1	41	M9900-184	Wire Assembly (black 15")	1
12	M50660-05	Flared 45° Nut	1	42	M11143-1	Strain Relief Bushing	1
13	M15823-27	Screw, #10-16 x 1/2"	10	43	079673-03	Power Cord	1
14	M16871	Retainer Strap	1	44	098557-07	Electronic Ignitor	1
15	M17920	Fan	1	45	M10990-3	Rubber Bushing	1
16	M50814-03	Air Line	1	46	098513-08	Fuel Tank	1
17	M50873-01	Clip	9	47	097702-01	Fuel Tank Cap	1
18	NPC-4C	Hex Nut, 1/4-20	2	48	M27417	Drain Plug	1
19	WLM-4C	Lockwasher, 1/4"	2	49	079010-14	Wire Assembly (red 8 7/8")	1
20	M16661	Motor Clamp	4	50	M9900-77	Wire Assembly (black 15")	1
21	M51043-01	Bolt, 1/4-20 x 1 1/2"	2	51	M16841-57	Wire Assembly (red 8 1/2")	1
22	**	Motor and Pump Assembly	1	52	M30865-02	Open/Closed Bushing	1
22-1	098784-02	Motor (230V/50Hz)	1	53	099177-01	Hex Nut, 3/8-27	1
22-2	M8645-3	Pump Body	1	54	078918-01	Terminal Board Tab Cap	1
22-3	FHPF3-7C	Screw, #10-32 x 7/8"	2	PARTS AVAILABLE - NOT SHOWN			
22-4	M22009	Insert	1				
22-5	M22456-3	Rotor	1				
22-6	M50545	End Pump Cover	1		M50140	Fan Guard	1
22-7	M12179	Intake Filter	1		097773-02	Tradename Decal (Black Shell)	2
22-8	M16545	End Filter Cover	1				
22-9	M8940	Steel Ball (1/4" Dia.)	1		097650-01	Tradename Decal (Yellow Shell)	1
22-10	M10993-1	Pressure Relief Spring	1				
22-11	M27694	Adjusting Screw	1		M18053	Filler Neck Screen	1
22-12	M22997	Plug	1		098235-21	General Info. Decal (English, Black Shell)	1
22-13	M12461-31	Screw, #10-32 x 1"	4				
22-14	M12244-1	Output Filter	1		100942-01	General Info. Decal (Spanish, Black Shell)	1
22-15	M12461-34	Screw, #10-32 x 1 1/2"	6				
22-16	M11637	Lint Filter	1		098235-24	General Info. Decal (English, Yellow Shell)	1
22-17	M50820-02	Barb Fitting	1				
22-18	M8643-3	Blade	4		100942-02	General Info. Decal (Spanish, Yellow Shell)	1

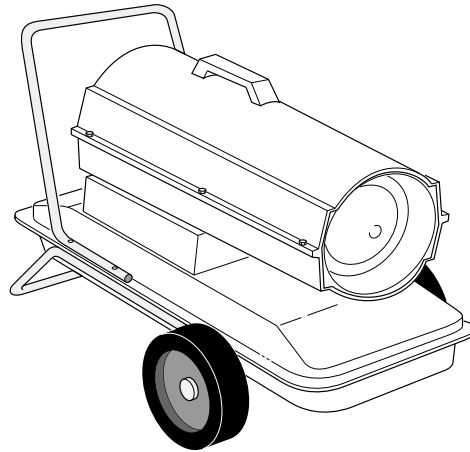
**Not available as an assembly, order parts separately.

ACCESSORIES

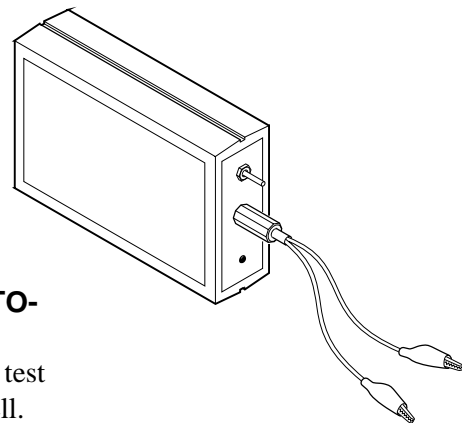
Purchase accessories from your local dealer.



AIR GAUGE KIT - HA1180
For all models. Special tool to check pump pressure.



HEAVY DUTY WHEELS AND HANDLE KIT - HA1202
For heavy duty applications. Makes your heater even more portable and convenient. For 8,8/20,5 kW (30/70,000 Btu/Hr) models.



FLAME-OUT CONTROL/PHOTO-CELL TESTER - HA1170
For all models. Special tool used to test the flame-out control and photocell.

WARRANTY AND REPAIR SERVICE

CERTIFICATE OF GENERAL EQUIPMENT - LIMITED 90 DAY WARRANTY

DESA International warrants new Products sold by it to be free from defects in material or workmanship for a period of ninety days after date of delivery to the first user and subject to the following conditions:

DESA International's obligation and liability under this Warranty is expressly limited to repairing or replacing at DESA International's option, any parts which appear to DESA International upon inspection to have been defective in material or workmanship when shipped from the factory. Such parts shall be provided at no cost to the user, at the business establishment of any factory authorized service center or the factory during regular working hours. The Warranty shall not apply to component parts or accessories of Products not manufactured by DESA International and which carry the warranty of the manufacturer thereof, or to normal maintenance (such as pressure adjustments) or to normal maintenance parts (such as filters and spark plugs). Replacement or repair parts installed in the Product covered by this Warranty are warranted only for the remainder of this Warranty as if such parts were original components of said Product. DESA INTERNATIONAL MAKES NO OTHER EXPRESS WARRANTY. TO THE EXTENT PERMITTED BY LAW DESA INTERNATIONAL MAKES NO IMPLIED WARRANTY AND MAKES NO WARRANTY OF MERCHANTABILITY OR FITNESS FOR ANY PARTICULAR PUR-

POSE. IN ANY EVENT IMPLIED WARRANTIES INCLUDING THOSE OF MERCHANTABILITY AND FITNESS FOR A PARTICULAR PURPOSE ARE LIMITED TO THE DURATION OF THIS EXPRESS WARRANTY.

Any transportation charges, costs of installation, duty, taxes or any other charges whatsoever must be borne by the user. DESA International's obligation under this limited Warranty shall not include any liability for direct, indirect, incidental, or consequential damage or delay. If requested by DESA International, Products or parts for which a warranty claim is made are to be returned transportation prepaid by user to the factory. Any improper use, including operation after discovery of defective or worn parts, operation beyond capacity, substitution of parts not approved by DESA International, or any alteration or repair by others in such manner as in DESA International's judgement affects the Product materially and adversely, shall void this Warranty.

NO EMPLOYEE OR REPRESENTATIVE IS AUTHORIZED TO CHANGE THIS WARRANTY IN ANY WAY OR GRANT ANY OTHER WARRANTY UNLESS SUCH CHANGE IS MADE IN WRITING AND SIGNED BY AN OFFICER OF DESA INTERNATIONAL AT ITS HOME OFFICE.

WARRANTY SERVICE

Always specify model and serial numbers when communicating with the factory.

We reserve the right to amend these specifications at any time without notice. The only Warranty applicable is our standard written Warranty. We make no other Warranty, expressed or implied.

A Service Manual is available by writing to the Technical Service Department at:

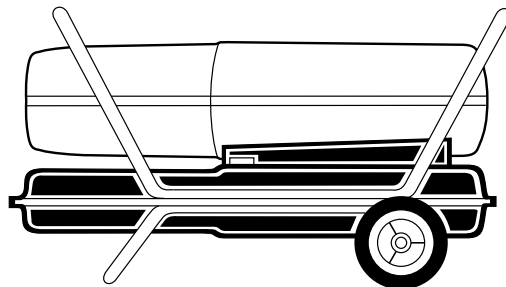
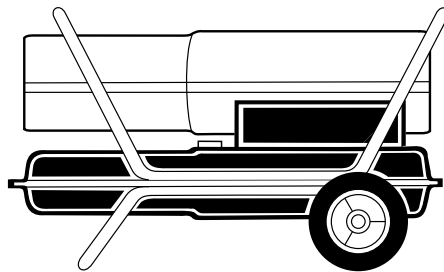
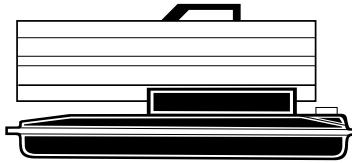
DESA

INTERNATIONAL
Corporate Headquarters

2701 Industrial Drive
P.O. Box 90004
Bowling Green, Kentucky 42102-9004
U.S.A.

CALENTADORES PORTATILES DE AIRE FORZADO

MANUAL DEL PROPIETARIO



Tamaños: 8,8 (30,000) 20,5 (70,000) 26,4 (90,000) 44 kW (150,000 Btu/hr)

IMPORTANTE

Lea y comprenda este manual antes de armar, encender o dar servicio al calentador. El uso indebido del calentador puede causar lesiones graves. Guarde este manual para referencia futura.

CONTENIDO

SECCION	PAGINA
Información de seguridad	3
Identificación del producto	4
Desembalaje	5
Armado	5
Teoría de funcionamiento	6
Combustibles	6
Ventilación	7
Funcionamiento	7
Almacenamiento, Transporte o Embarque	8
Programa de mantenimiento preventivo	8
Localización de averías	9
Procedimientos de servicio	10
Remoción del casco superior	10
Filtro de combustible (modelos de 8,8/20,5 kW [30/70,000 Btu/hr])	10
Filtro de combustible (modelo de 26,4 kW [90,000 Btu/hr])	11
Filtro de combustible (modelo de 44 kW [150,000 Btu/hr])	11
Bujía (modelo de 8,8 kW [30,000 Btu/hr])	12
Bujía (modelos de 20,5/26,4/44 kW [70/90/150,000 Btu/hr])	13
Filtros de salida de aire, de admisión de aire y de pelusa	14
Ajuste de la presión de la bomba	14
Boquilla (modelo de 8,8 kW [30,000 Btu/hr])	15
Boquilla (modelos de 20,5/26,4 kW [70/90,000 Btu/hr])	16
Boquilla (modelo de 44 kW [150,000 Btu/hr])	17
Rotor de la bomba	18
Ventilador	19
Especificaciones	19
Diagramas de alambrado	20
Despiece ilustrado y lista de piezas	21
Ruedas y asas (modelos de 26,4/44 kW [90/150,000 Btu/hr])	21
Modelo de 8,8 kW (30,000 Btu/hr)	22
Modelo de 20,5 kW (70,000 Btu/hr)	24
Modelo de 26,4 kW (90,000 Btu/hr)	26
Modelo de 44 kW (150,000 Btu/hr)	28
Accesorios	30
Garantía y reparaciones	Contraportada

INFORMACION DE SEGURIDAD

ADVERTENCIAS

IMPORTANTE: Lea este manual del propietario detenida y completamente antes de intentar armar, usar o dar servicio al calentador. El uso indebido de este calentador puede causar lesiones graves o la muerte a causa de las quemaduras, incendios, explosiones, choques eléctricos y envenenamiento por monóxido de carbono.

PELIGRO

El envenenamiento por monóxido de carbono puede causar la muerte.

Envenenamiento por monóxido de carbono: Los primeros síntomas del envenenamiento por monóxido de carbono son parecidos a los de la gripe e incluyen dolores de cabeza, mareos o náuseas. Si se experimentan estos síntomas, el calentador podría estar funcionando mal. **¡Busque aire fresco de inmediato!** Solicite la reparación del calentador. Algunos individuos se ven más afectados por el monóxido de carbono que otros. Estos incluyen las mujeres embarazadas, individuos con padecimientos del corazón o los pulmones o con anemia, individuos bajo los efectos del alcohol e individuos a grandes alturas.

Asegúrese de leer y comprender todas las advertencias. Guarde este manual para referencia. Es su guía para el uso seguro y adecuado de este calentador.

- Para evitar el riesgo de incendio o explosión, use sólo keroseno o fueloil No. 1. Nunca use gasolina, nafta, diluyentes de pintura, alcohol u otros combustibles muy inflamables.
- Nunca use el calentador en presencia de vapores de gasolina, de diluyente de pintura u otros vapores muy inflamables.
- Respete todos los reglamentos y códigos locales al usar el calentador.
- Utilícelo solamente en lugares con buena ventilación. Deje una abertura de por lo menos 2800 cm² (3 ft²) para la entrada de aire fresco exterior por cada 29,3 kW (100,000 Btu/hr) de capacidad.
- Utilícelo solamente en lugares exentos de vapores inflamables o contenido elevado de polvo.
- Use solamente el voltaje eléctrico y la frecuencia especificados en la chapa del número de modelo.
- Use solamente un cordón de extensión de tres clavijas con puesta a tierra.
- Los espacios mínimos entre el calentador y materiales combustibles son: Salida: 250 cm (8 ft) Lados, partes superior y trasera: 125 cm (4 ft)
- Coloque el calentador en una superficie estable y nivelada mientras el calentador está caliente o funcionando, de lo contrario podría ocurrir un incendio.
- Para trasladar o guardar el calentador, manténgalo en posición nivelada, de lo contrario podría derramarse el combustible.
- Deje el calentador fuera del alcance de los niños y animales.
- Desenchufe el calentador cuando no esté en uso.
- Cuando se usa con termostato, el calentador puede arrancar en cualquier momento.
- Nunca use el calentador en habitaciones o dormitorios.
- Nunca bloquee la entrada de aire (trasera) ni la salida de aire (delantera) del calentador.
- Nunca mueva, manipule, reabastezca de combustible ni dé servicio a un calentador caliente, en funcionamiento o enchufado.
- Nunca conecte ductos a la parte delantera o trasera del calentador. El uso de ductos podría reducir el flujo de aire que el calentador necesita. El calentador entonces produciría monóxido de carbono en exceso.

IDENTIFICACION DEL PRODUCTO

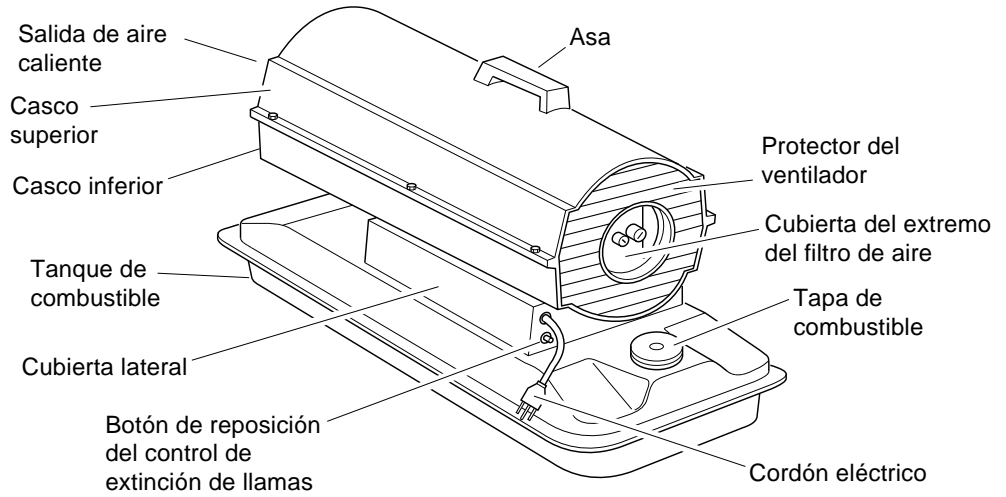


Figura 1 - Modelos de 8,8/20,5 kW (30/70,000 Btu/hr)

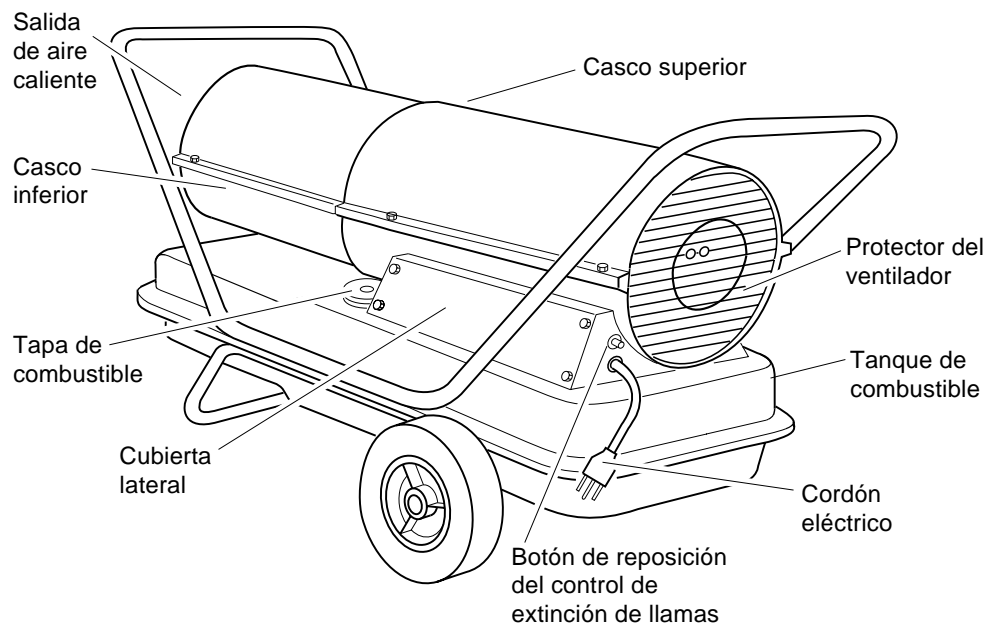


Figura 2 - Modelo de 26,4 kW (90,000 Btu/hr)

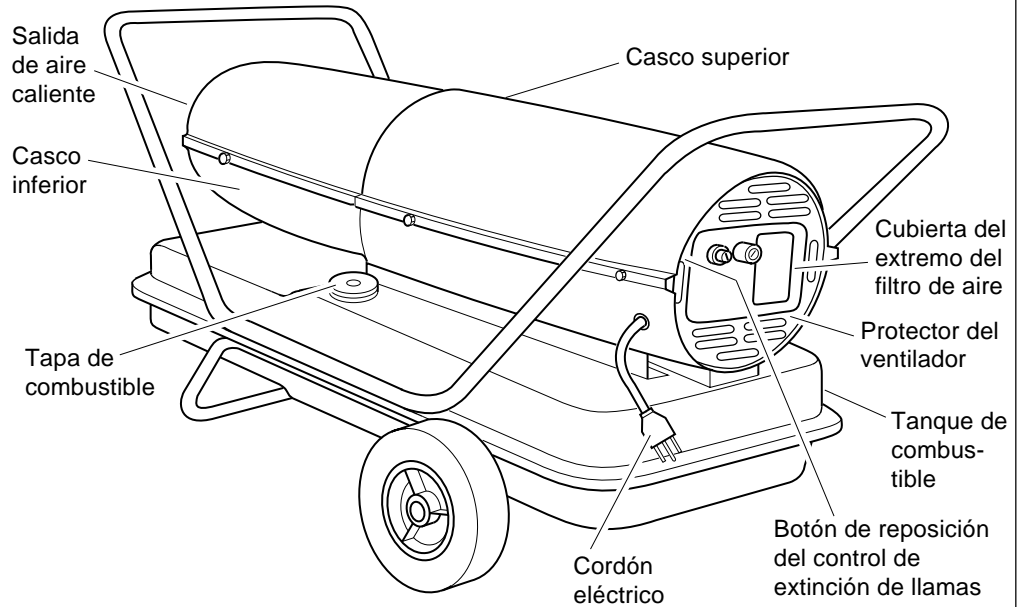


Figura 3 - Modelo de 44 kW (150,000 Btu/hr)

DESEMBALAJE

ARMADO

(Sólo para modelos de 26,4 y 44 kW [90,000 y 150,000 Btu/hr])

1. Quite todo el material de embalar aplicado al calentador para el transporte.
2. Saque todos los componentes de la caja.
3. Inspeccione los componentes en busca de daños ocurridos durante el transporte. Si el calentador ha sufrido daños, informe oportunamente al concesionario donde se compró el calentador.

Estos modelos se proveen con ruedas y asas. Las ruedas, asas y la tornillería de montaje se encuentran en la caja de embalaje.

Herramientas necesarias

- Destornillador Phillips mediano
- Llave ajustable o de boca de 3/8"
- Martillo

1. Deslice el eje a través del bastidor de soporte de las ruedas. Instale las ruedas en el eje. **IMPORTANTE:** Al instalar las ruedas, oriente el cubo extendido de las ruedas hacia el bastidor de soporte de las ruedas (vea la Figura 4).
2. Coloque las tuercas ciegas en los extremos del eje. Martíllelas suavemente para fijarlas.
3. Coloque el calentador sobre el bastidor de soporte de las ruedas. Asegúrese que el extremo de entrada de aire (posterior) del calentador esté sobre las ruedas. Alinee los agujeros de la pestaña del tanque de combustible con los agujeros del bastidor de soporte de las ruedas.
4. Coloque el asa delantera y el asa trasera encima de la pestaña del tanque de combustible. Inserte los tornillos a través de las asas, de la pestaña del tanque de combustible y del bastidor de soporte de las ruedas. Ponga una tuerca apretada a mano en cada tornillo después de insertarlo.
5. Después de insertar todos los tornillos, apriete las tuercas firmemente.

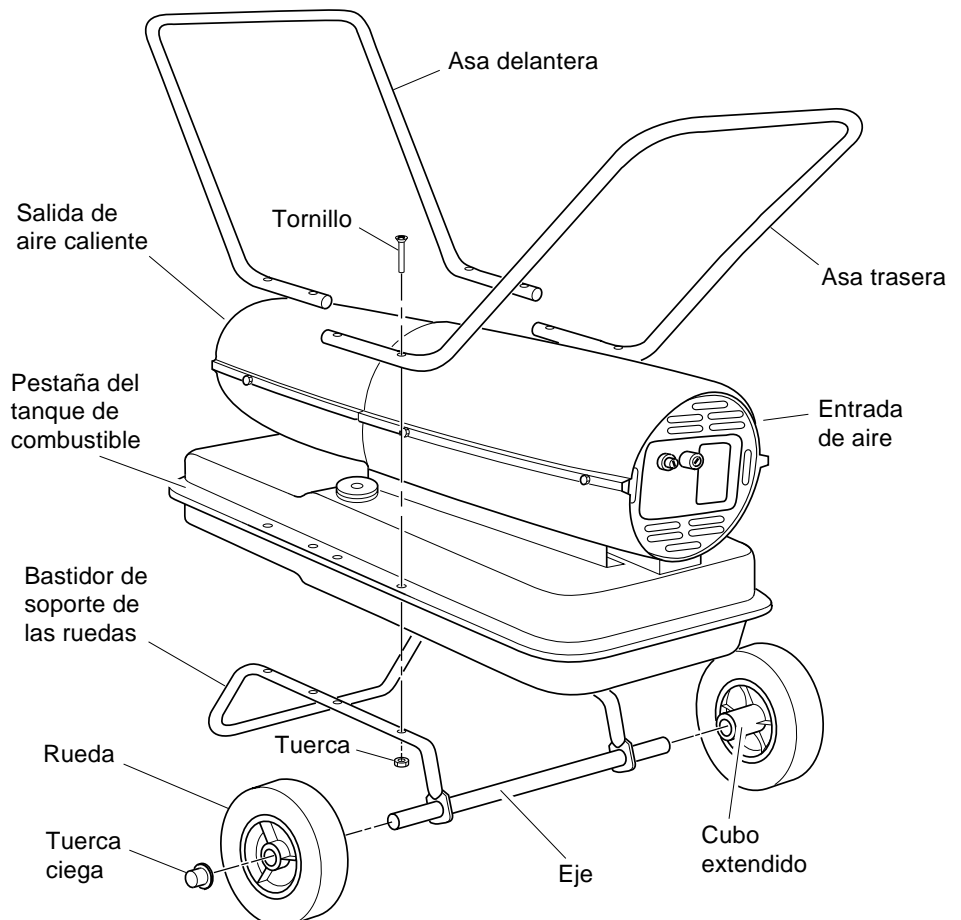


Figura 4 - Conjunto de ruedas y asas, sólo modelos de 26,4/44 kW (90/150,000 Btu/hr)

TEORIA DE FUNCIONAMIENTO

Sistema de combustible: La bomba de aire fuerza el paso del aire por la línea de aire. De allí, el aire es empujado a través de la boquilla del quemador. Este aire hace que el combustible del tanque suba. Un vapor fino de combustible es rociado en la cámara de combustión.

Sistema de aire: El motor hace girar el ventilador. El ventilador empuja el aire al interior y alrededor de la cámara de combustión. Este aire se calienta y proporciona un chorro de aire caliente y limpio.

Sistema de encendido: El ignitor electrónico envía voltaje a la bujía. La bujía enciende la mezcla de combustible y aire.

Sistema de control de extinción de llamas: Este sistema apaga el calentador en caso de extinguirse la llama.

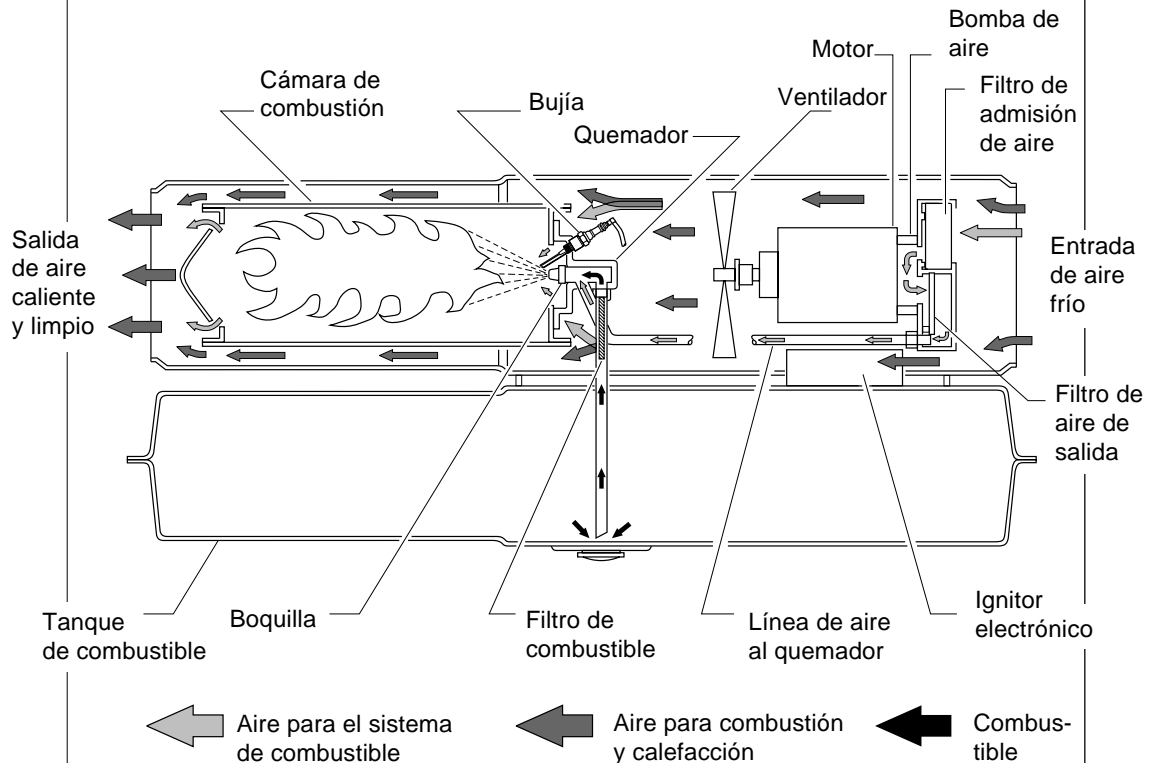


Figura 5 - Vista en corte transversal del funcionamiento

COMBUSTIBLES

⚠ ADVERTENCIA

Para evitar el riesgo de incendio o explosión, use sólo keroseno o fueloil No. 1. Nunca use gasolina, nafta, diluyentes de pintura, alcohol u otros combustibles muy inflamables.

No use combustibles pesados como el fueloil No. 2 ó diesel No. 2. El uso de estos combustibles causará:

- taponamiento del filtro de combustible y de la boquilla
- depósitos de carbón en la bujía
- necesidad de usar aditivo anticongelador no tóxico en el combustible durante el tiempo muy frío

IMPORTANTE: Utilice un envase para almacenar KEROSENO SOLAMENTE.

Asegúrese que el envase esté bien limpio. Las materias extrañas tales como óxido, tierra o agua harán que el control de extinción de llamas apague el calentador. Las materias extrañas también harán necesaria la limpieza frecuente del sistema de combustible.

VENTILACION

ADVERTENCIA

Observe los requisitos mínimos de ventilación de aire fresco exterior. Si no se provee la ventilación debida con aire fresco exterior, podría ocurrir el envenenamiento por monóxido de carbono. Antes de hacer funcionar el calentador, asegúrese de proporcionar buena ventilación con aire fresco exterior.

Deje una abertura de por lo menos 2800 cm² (3 ft²) por cada 29,3 kW (100,000 Btu/hr) de capacidad para la entrada de aire. Proporcione aire fresco adicional si se usan más calentadores.

Ejemplo: Un calentador de 44 kW (150,000 Btu/hr) requiere una de las siguientes aberturas:

- puerta de garaje para dos carros de 4,88 m (16 ft) de ancho levantada por lo menos 8,59 cm (3.38 in.)
- puerta de garaje para un carro de 2,75 m (9 ft) de ancho levantada por lo menos 15,24 cm (6 in.)
- dos ventanas de 76,20 cm (30 in.) de ancho levantadas por lo menos 28 cm (11 in.)

FUNCIONAMIENTO

ADVERTENCIA

Estudie y comprenda las advertencias dadas en la sección Información de seguridad. Son necesarias para el funcionamiento sin peligro de este calentador. Respete todos los códigos locales al usar este calentador.

Para encender el calentador

1. Observe toda la información sobre ventilación y seguridad.
2. Llene el tanque de combustible con keroseno o fueloil No. 1.
3. Ponga la tapa de combustible.
4. Enchufe el cordón eléctrico del calentador en un tomacorriente estándar de 230 V/50 Hz con puesta a tierra. Utilice un cordón de extensión si es necesario. Use solamente un cordón de extensión de tres clavijas con puesta a tierra.

Requisitos del calibre del alambre del cordón de extensión

Hasta 30,5 m (100 ft) de largo, use conductores de 1,0 mm² (16 AWG); de 30,6 a 61 m (101 a 200 ft), use conductores de 1,5 mm² (14 AWG)

El calentador arrancará al enchufar el cordón eléctrico en el tomacorriente. De lo contrario, oprima el botón de reposición del control de extinción de llamas (vea las Figuras 6 a la 8).

Botón de reposición del control de extinción de llamas

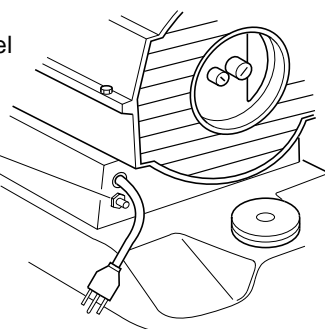


Figura 6 - Botón de reposición del control de extinción de llamas, modelos de 8,8/20,5 kW (30/70,000 Btu/hr)

Botón de reposición del control de extinción de llamas

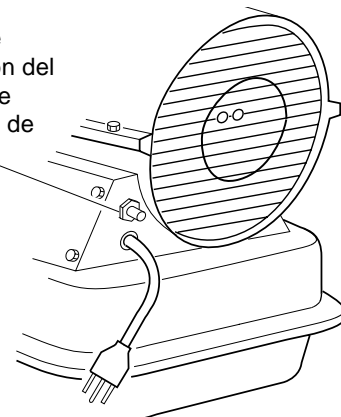


Figura 7 - Botón de reposición del control de extinción de llamas, modelo de 26,4 kW (90,000 Btu/hr)

Continúa

FUNCIONAMIENTO

Continuación

Botón de reposición del control de extinción de llamas (protector del ventilador retirado)

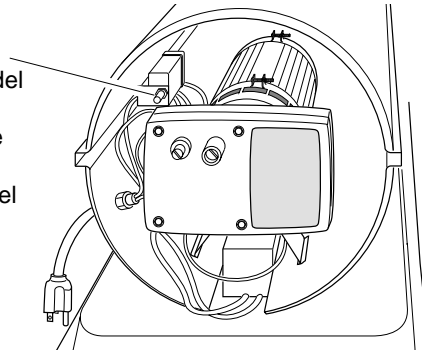


Figura 8 - Botón de reposición del control de extinción de llamas, modelo de 44 kW (150,000 Btu/hr)

Para apagar el calentador

1. Desenchufe el cordón eléctrico del tomacorriente.

Para volver a encender el calentador

1. Espere 2 minutos después de apagar el calentador.
2. Repita los pasos bajo *Para encender el calentador*, en la página 7.

Nota: Si se está despachando la unidad para embarque, las compañías transportistas exigen que los tanques de combustible estén vacíos.

1. Vaciar el tanque de combustible.

Nota: Algunos modelos tienen el tapón de vaciado en el lado inferior del tanque de combustible. De ser así, sacar el tapón para vaciar todo el combustible. Si el calentador no tiene tapón de vaciado, vaciar el combustible por la abertura de la tapa de combustible. Asegurarse de haber extraído todo el combustible.

2. Volver a colocar el tapón de vaciado, si lo tiene.
3. Si se observa la presencia de basura en el combustible viejo, añadir 1 ó 2 litros de keroseno al tanque, agitarlo y volver a vaciarlo. Esto ayuda a impedir que el exceso de basura tapone los filtros en el futuro.
4. Volver a colocar la tapa del tanque de combustible o el tapón de vaciado. Desechar el combustible viejo de manera adecuada. Consultar a una estación de servicio local que efectúe el reciclaje de derivados del petróleo.
5. Si se está almacenando la unidad, almacenarla en un lugar seco. Asegurarse que el lugar de almacenamiento esté libre de polvo y vapores corrosivos.

IMPORTANTE: No almacenar el keroseno durante el verano para usarlo en la siguiente temporada fría. El usar keroseno viejo podría dañar el calentador.



ADVERTENCIA

Nunca repare el calentador mientras está enchufado, en funcionamiento o caliente. Podrían ocurrir graves quemaduras y electrochoque.

ALMACENAMIENTO, TRANSPORTE O EMBARQUE

PROGRAMA DE MANTENIMIENTO PREVENTIVO

Item	Intervalo	Procedimiento
Tanque de combustible	Enjuáguelo cada 150-200 horas de funcionamiento o según sea necesario.	Vea <i>Almacenamiento, Transporte o Embarque</i> , más arriba.
Filtros de salida de aire y de pelusa	Cámbielos cada 500 horas de funcionamiento o anualmente.	Vea <i>Filtros de salida de aire, de admisión de aire y de pelusa</i> , página 14.
Filtro de admisión de aire	Lávalo con agua y jabón y séquelo cada 500 horas de funcionamiento o según sea necesario.	Vea <i>Filtros de salida de aire, de admisión de aire y de pelusa</i> , página 14.
Filtro de combustible	Límpielo dos veces por temporada de frío o según sea necesario.	Vea <i>Filtro de combustible</i> , páginas 10 y 11.

Continúa

PROGRAMA DE MANTENIMIENTO PREVENTIVO


Continuación

LOCALIZACION DE AVERIAS

Item	Intervalo	Procedimiento
Bujía	Límpiala y ajuste el espacio entre electrodos cada 600 horas de funcionamiento o según sea necesario.	Vea <i>Bujía</i> , páginas 12 y 13.
Paletas del ventilador	Límpialas cada temporada o según sea necesario.	Vea <i>Ventilador</i> , página 19.
Motor	No requerido/lubricado permanentemente.	

ADVERTENCIA

Nunca repare el calentador mientras está enchufado, en funcionamiento o caliente. Podrían ocurrir graves quemaduras y electrochoque.

AVERIA OBSERVADA	CAUSA POSIBLE	SOLUCION
El calentador se enciende, pero el control de extinción de llamas lo apaga después de un rato corto.	Presión incorrecta de la bomba	Vea <i>Ajuste de la presión de la bomba</i> , página 14.
	Filtros de salida de aire, de admisión de aire y de pelusa sucios	Vea <i>Filtros de salida de aire, de admisión de aire y de pelusa</i> , página 14.
	Filtro de combustible sucio	Vea <i>Filtro de combustible</i> , páginas 10 y 11.
	Tierra en la boquilla	Vea <i>Boquilla</i> , páginas 15 a la 17.
	Cristal de la fotocélula sucio	Limpie el cristal de la fotocélula.
	Control de extinción de llamas defectuoso	Sustituya el control de extinción de llamas.
El calentador no enciende, pero el motor funciona por un rato corto.	Presión incorrecta de la bomba	Vea <i>Ajuste de la presión de la bomba</i> , página 14.
	Depósitos de carbón en la bujía y/o espacio entre electrodos inapropiado	Vea <i>Bujía</i> , páginas 12 y 13.
	Filtro de combustible sucio	Vea <i>Filtro de combustible</i> , páginas 10 y 11.
	Tierra en la boquilla	Vea <i>Boquilla</i> , páginas 15 a la 17.
	Agua en el tanque de combustible	Vacíe y enjuague el tanque de combustible con keroseno limpio. Vea <i>Almacenamiento, Transporte o Embarque</i> , página 8.
 ADVERTENCIA: ¡Alto voltaje!		
	Ignitor electrónico no conectado a tierra	Asegúrese que el montaje del ignitor electrónico esté firmemente apretado.
	Ignitor electrónico defectuoso	Sustituya el ignitor electrónico.
El motor no arranca al enchufar el calentador, el ventilador gira lentamente o no gira.	El control de extinción de llamas no está reposicionado	Oprima el botón del control de extinción de llamas, vea las Figuras 6 a la 8 en las páginas 7 y 8.
	Rotor de la bomba atascado	Si el ventilador gira con dificultad, vea <i>Rotor de la bomba</i> , página 18.

PROCEDIMIENTOS DE SERVICIO

Remoción del casco superior

1. Quite los tornillos a lo largo de cada lado del calentador con una llave de tuercas de 5/16". Estos tornillos sujetan juntos los cascos superior e inferior.
2. Levante y quite el casco superior.
3. Quite el protector del ventilador.

Filtro de combustible

(Modelos de 8,8/20,5 kW [30/70,000 Btu/hr])

1. Quite los tornillos de la cubierta lateral con una llave de tuercas de 5/16".
2. Quite la cubierta lateral.
3. Quite la línea de combustible de caucho del cuello del filtro de combustible.
4. Palanquee cuidadosamente el buje y el filtro de combustible para sacarlos del tanque de combustible.
5. Lave el filtro de combustible con combustible limpio y vuelva a colocarlo en el tanque.
6. Sujete la línea de combustible de caucho al cuello del filtro de combustible.
7. Vuelva a colocar la cubierta lateral.

⚠ ADVERTENCIA

Nunca repare el calentador mientras está enchufado, en funcionamiento o caliente. Podrían ocurrir graves quemaduras y electrochoque.

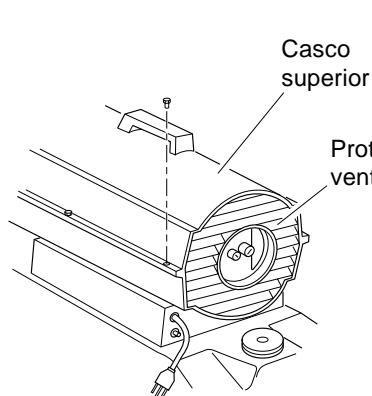


Figura 9 - Remoción del casco superior, modelos de 8,8/20,5 kW (30/70,000 Btu/hr)

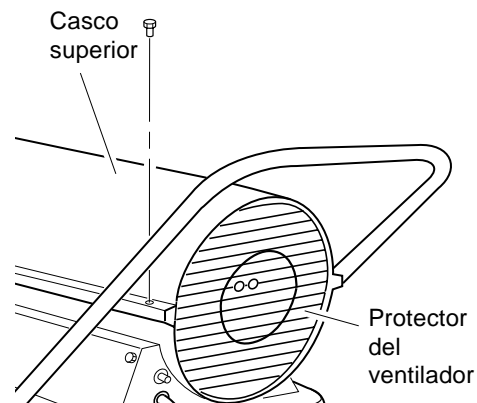


Figura 10 - Remoción del casco superior, modelo de 26,4 kW (90,000 Btu/hr)

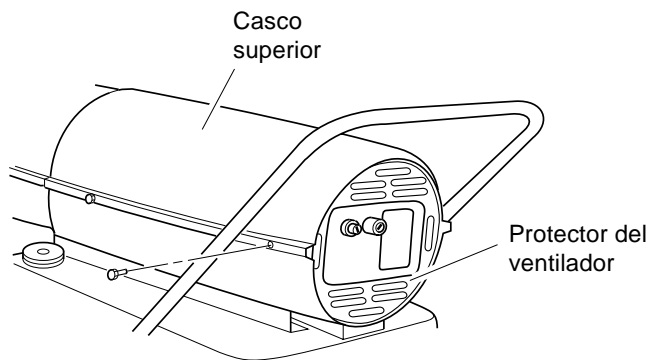


Figura 11 - Remoción del casco superior, modelo de 44 kW (150,000 Btu/hr)

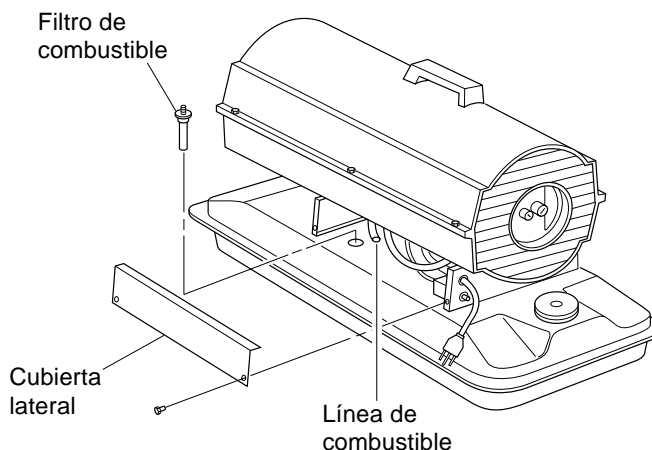


Figura 12 - Remoción del filtro de combustible, modelos de 8,8/20,5 kW (30/70,000 Btu/hr)

Filtro de combustible

(Modelo de 26,4 kW [90,000 Btu/hr])

1. Quite los tornillos de la cubierta lateral con una llave de tuercas de 5/16".
2. Quite la cubierta lateral.
3. Quite la línea de combustible superior del cuello del filtro de combustible.
4. Palanquee cuidadosamente el buje, la línea de combustible inferior y el filtro de combustible para sacarlos del tanque de combustible.
5. Lave el filtro de combustible con combustible limpio y vuelva a colocarlo en el tanque.
6. Sujete la línea de combustible superior al cuello del filtro de combustible.
7. Vuelva a colocar la cubierta lateral.

Filtro de combustible

(Modelo de 44 kW [150,000 Btu/hr])

1. Quite el casco superior (vea la página 10).
2. Quite el ventilador (vea la página 19).
3. Afloje la tuerca abocinada con una llave de boca de 3/4". Empuje el tubo de combustible hacia abajo para alejarlo del quemador. El filtro de combustible está ubicado dentro del tubo.
4. Levante el filtro de combustible para sacarlo.
5. Lave el filtro de combustible con combustible limpio y vuelva a colocarlo en el tubo.
6. Conecte el tubo de combustible al quemador. Apriete la tuerca abocinada hasta que la tuerca quede asentada contra el tubo de combustible y el adaptador. Apriétela 1/4 de vuelta adicional con la llave de boca de 3/4" (11,3-14,7 Nm [100-130 in.-lb]).
7. Vuelva a colocar el ventilador (vea la página 19).
8. Vuelva a colocar el protector del ventilador y el casco superior.

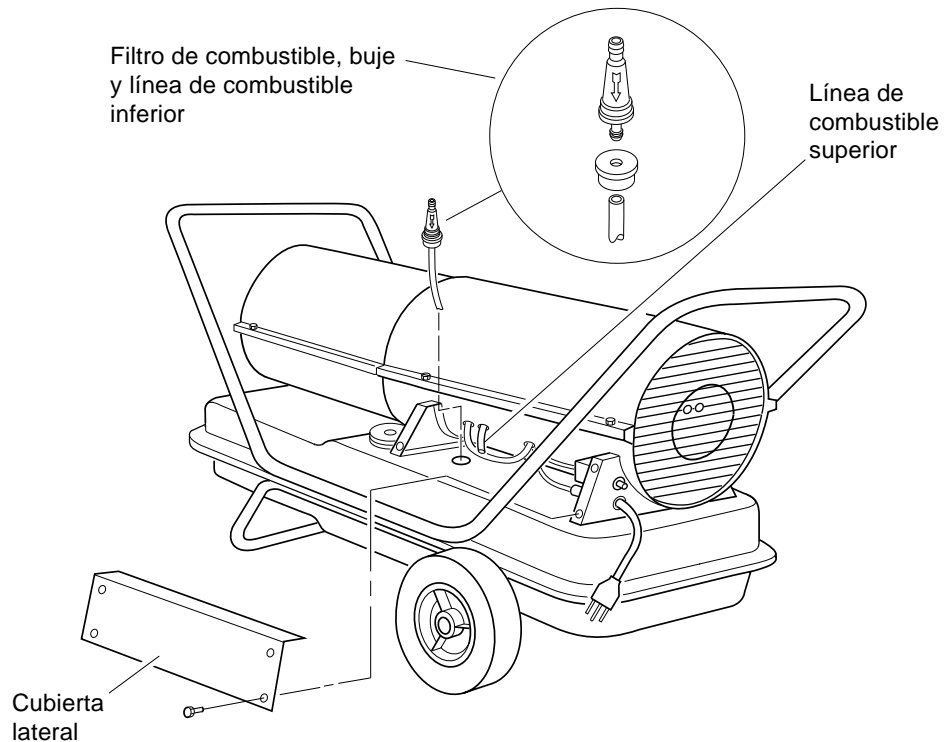


Figura 13 - Remoción del filtro de combustible, modelo de 26,4 kW (90,000 Btu/hr)

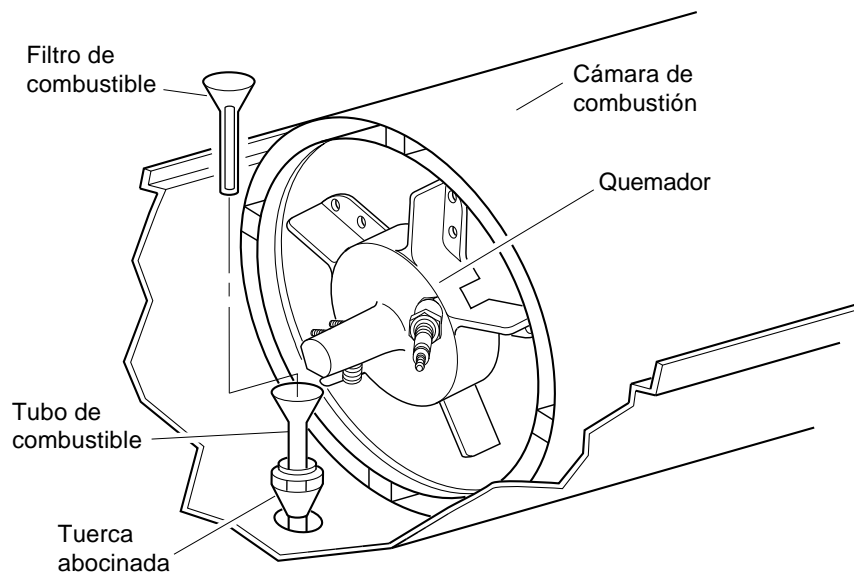


Figura 14 - Remoción del filtro de combustible, modelo de 44 kW (150,000 Btu/hr)

Bujía

(Modelo de 8,8 kW [30,000 Btu/hr])

1. Quite el casco superior (vea la página 10).
2. Quite el ventilador (vea la página 19).
3. Quite las mangueras de las líneas de aire y de combustible del conjunto de la boquilla.
4. Quite el cable de la bujía.
5. Quite los dos tornillos con una llave de tuercas de 5/16" y quite la banda fijadora del quemador.
6. Coloque el cuerpo hexagonal de la bujía en una prensa y apriétela.
7. Quite la tuerca de montaje de la bujía con una llave de boca de 11/16".
8. Quite la banda fijadora del quemador de la bujía.
9. Limpie la bujía y ajuste el espacio entre electrodos a 1,4 mm (0.055 in.).
10. Vuelva a colocar la banda fijadora del quemador en la bujía. Gire la banda fijadora del quemador para posicionar los electrodos de la bujía (vea la Figura 17).
11. Apriete la bujía con la tuerca de montaje.
12. Suelte el cuerpo hexagonal de la bujía de la prensa.
13. Vuelva a colocar la banda fijadora del quemador en la cámara de combustión.
14. Conecte el cable de la bujía.
15. Sujete las mangueras de las líneas de aire y de combustible al conjunto de la boquilla.
16. Vuelva a colocar el ventilador (vea la página 19).
17. Vuelva a colocar el protector del ventilador y el casco superior.

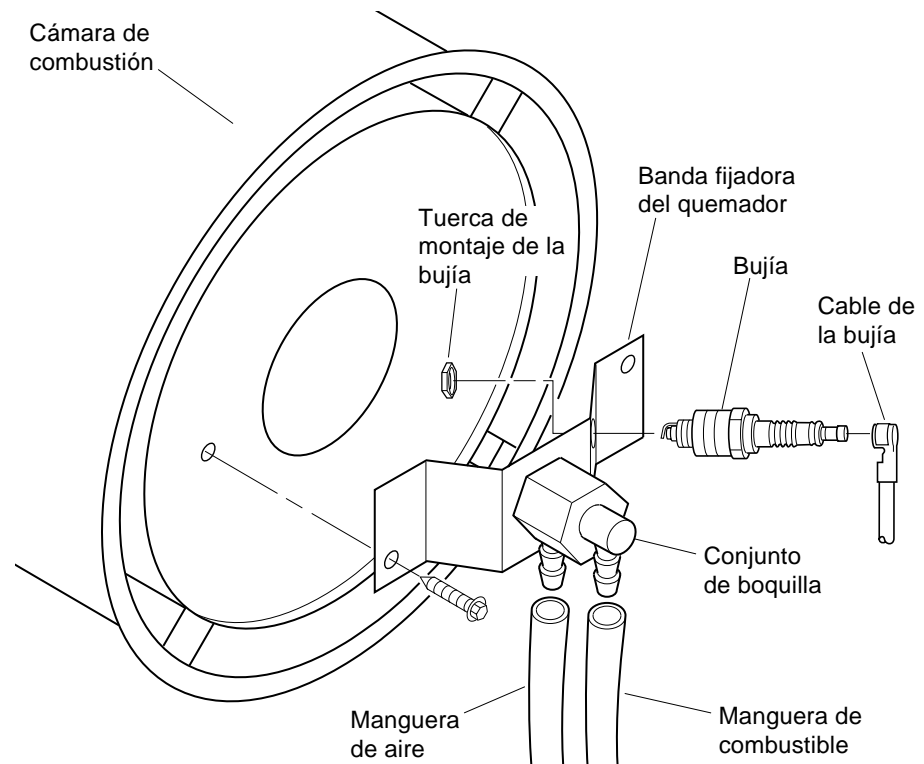


Figura 15 - Remoción de la bujía, modelo de 8,8 kW (30,000 Btu/hr)

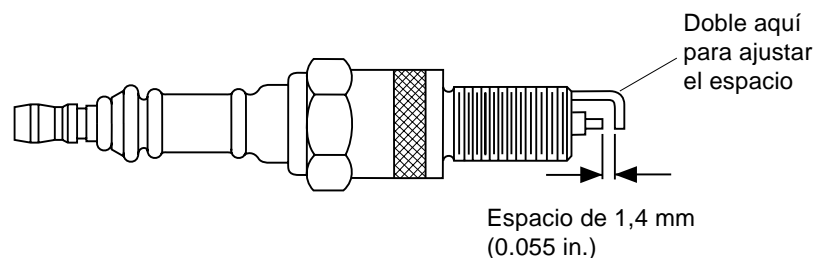


Figura 16 - Espacio entre electrodos de la bujía, modelo de 8,8 kW (30,000 Btu/hr)

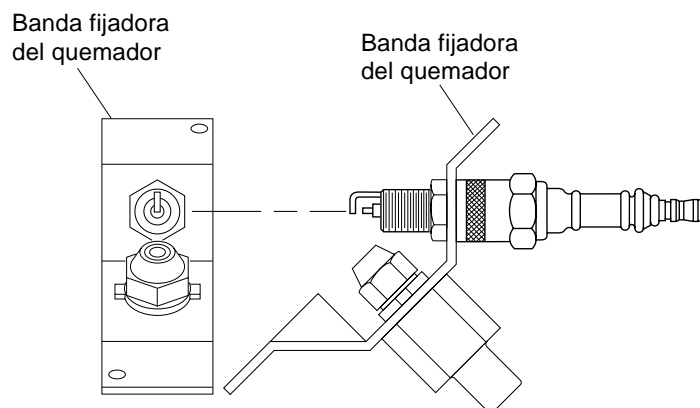


Figura 17 - Rotación de la bujía, modelo de 8,8 kW (30,000 Btu/hr)

Bujía

(Modelos de 20,5/26,4/44 kW [70/90/150,000 Btu/hr])

1. Quite el casco superior (vea la página 10).
2. Quite el ventilador (vea la página 19).
3. Quite el cable de la bujía.
4. Quite la bujía del quemador con una llave de boca de 13/16".
5. Limpie la bujía y ajuste el espacio entre electrodos a 1,4 mm (0.055 in.).
6. Instale la bujía en el quemador.
7. Conecte el cable de la bujía.
8. Vuelva a colocar el ventilador (vea la página 19).
9. Vuelva a colocar el protector del ventilador y el casco superior.

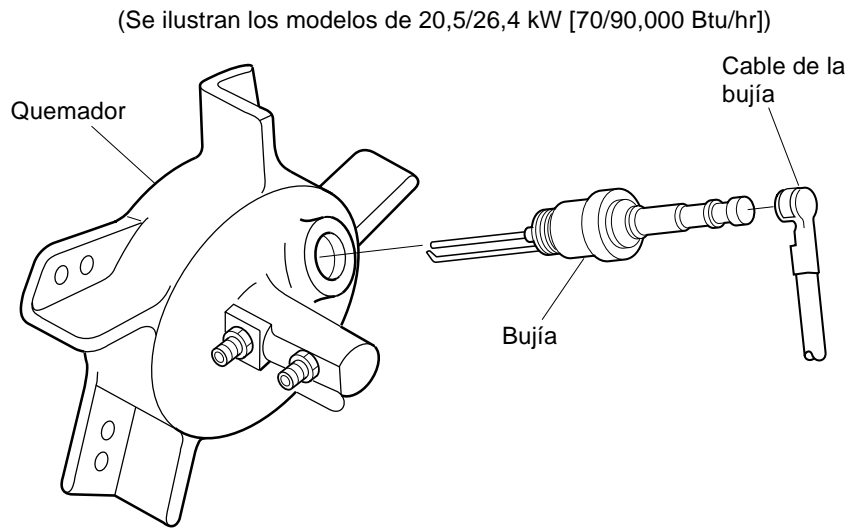


Figura 18 - Remoción de la bujía, modelos de 20,5/26,4/44 kW (70/90/150,000 Btu/hr)

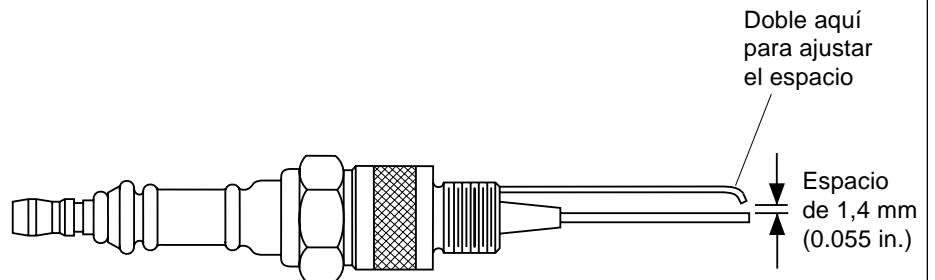


Figura 19 - Espacio entre electrodos de la bujía, modelos de 20,5/26,4/44 kW (70/90/150,000 Btu/hr)

Filtros de salida de aire, de admisión de aire y de pelusa

1. Quite el casco superior (vea la página 10).
2. Quite los tornillos de la cubierta del extremo del filtro con una llave de tuercas de 5/16".
3. Quite la cubierta del extremo del filtro.
4. Reemplace los filtros de salida de aire y de pelusa.
5. Lave o reemplace el filtro de admisión de aire (vea Programa de mantenimiento preventivo, página 8).
6. Vuelva a colocar la cubierta del extremo del filtro.
7. Vuelva a colocar el protector del ventilador y el casco superior.

IMPORTANTE: No aceite los filtros.

Ajuste de la presión de la bomba

1. Quite el tapón para manómetro de la cubierta del extremo del filtro.
2. Instale el manómetro accesorio (No. de pieza HA1180).
3. Encienda el calentador (vea Funcionamiento, página 7). Permita que el motor alcance su velocidad plena.
4. Ajuste la presión. Gire la válvula de alivio hacia la derecha para aumentar la presión. Gire la válvula de alivio hacia la izquierda para reducir la presión. Vea las especificaciones a la derecha para obtener la presión correcta para cada modelo.
5. Quite el manómetro. Vuelva a colocar el tapón para manómetro en la cubierta del extremo del filtro.

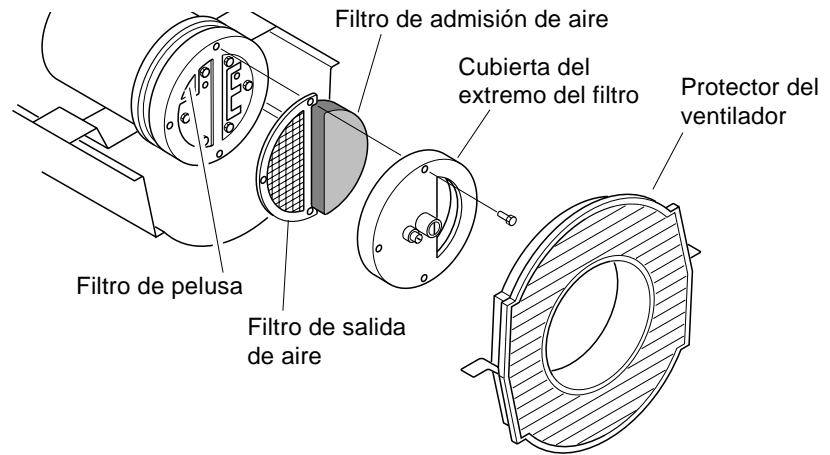


Figura 20 - Filtros de salida de aire, de admisión de aire y de pelusa, modelos de 8,8/20,5 kW (30/70,000 Btu/hr)

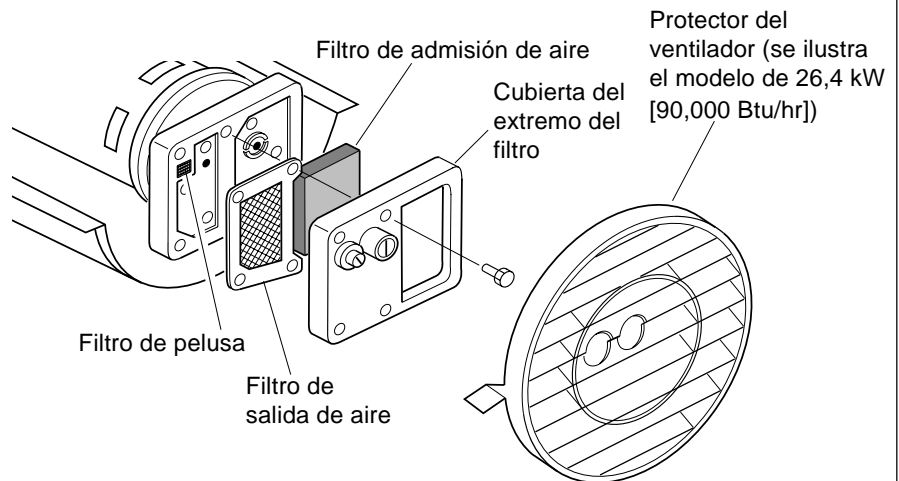


Figura 21 - Filtros de salida de aire, de admisión de aire y de pelusa, modelos de 26,4/44 kW (90/150,000 Btu/hr)

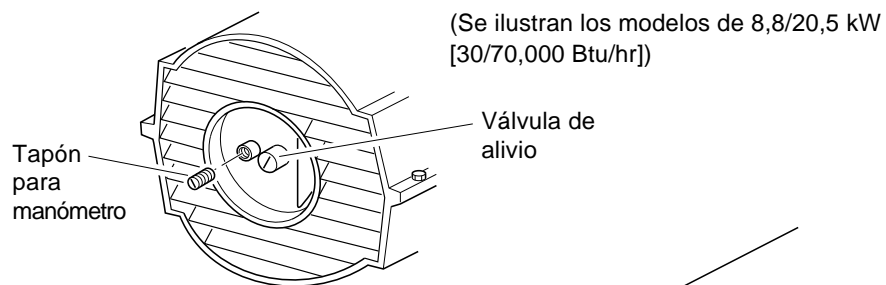


Figura 22 - Remoción del tapón para manómetro

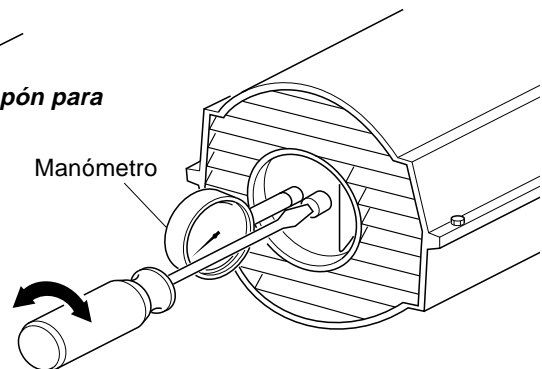


Figura 23 - Ajuste de la presión de la bomba

Modelo	Presión de la bomba
8,8 kW (30,000 Btu/hr)	17,93 kPa (2.6 psi)
20,5 kW (70,000 Btu/hr)	26,2 kPa (3.8 psi)
26,4 kW (90,000 Btu/hr)	30,34 kPa (4.4 psi)
44 kW (150,000 Btu/hr)	33,78 kPa (4.9 psi)

Boquilla

(Modelo de 8,8 kW [30,000 Btu/hr])

1. Quite el casco superior (vea la página 10).
2. Quite el ventilador (vea la página 19).
3. Quite las mangueras de las líneas de aire y de combustible del conjunto de la boquilla.
4. Gire el conjunto de la boquilla 1/4 de vuelta a la izquierda y tire hacia el motor para quitarlo.
5. Coloque el cuerpo hexagonal de plástico en una prensa y apretarla ligeramente.
6. Quite cuidadosamente la boquilla del adaptador usando una llave de casquillo de 5/8".
7. Sople aire comprimido por la cara de la boquilla. Esto despedirá la tierra de la zona de la boquilla.
8. Inspeccione el sello de la boquilla en busca de daños.
9. Vuelva a colocar la boquilla en el adaptador hasta que quede asentada. Apriétela 1/3 de vuelta adicional con una llave de casquillo de 5/8" (4,5-5,1 Nm [40-45 in.-lb]).
10. Sujete el conjunto de la boquilla a la banda fijadora del quemador.
11. Sujete las mangueras de las líneas de aire y de combustible al conjunto de la boquilla.
12. Vuelva a colocar el ventilador (vea la página 19).
13. Vuelva a colocar el protector del ventilador y el casco superior.

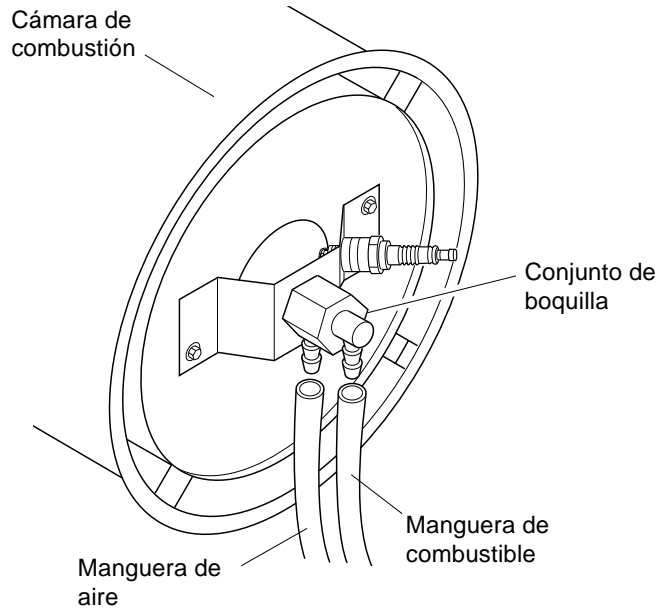


Figura 24 - Remoción de las mangueras de las líneas de aire y combustible, modelo de 8,8 kW (30,000 Btu/hr)

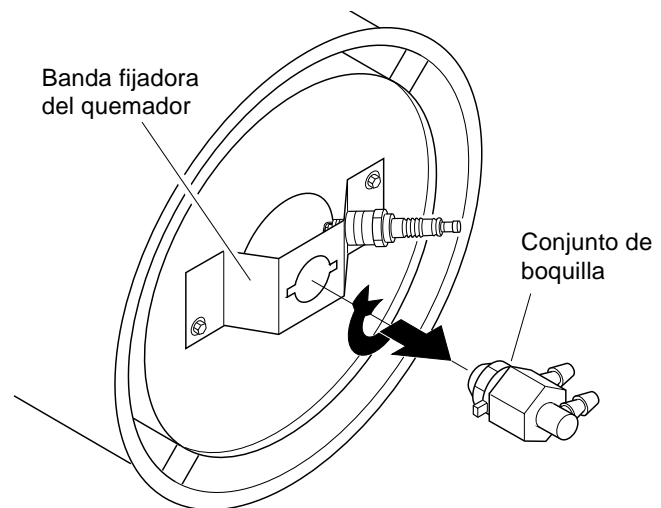


Figura 25 - Remoción del conjunto de la boquilla, modelo de 8,8 kW (30,000 Btu/hr)

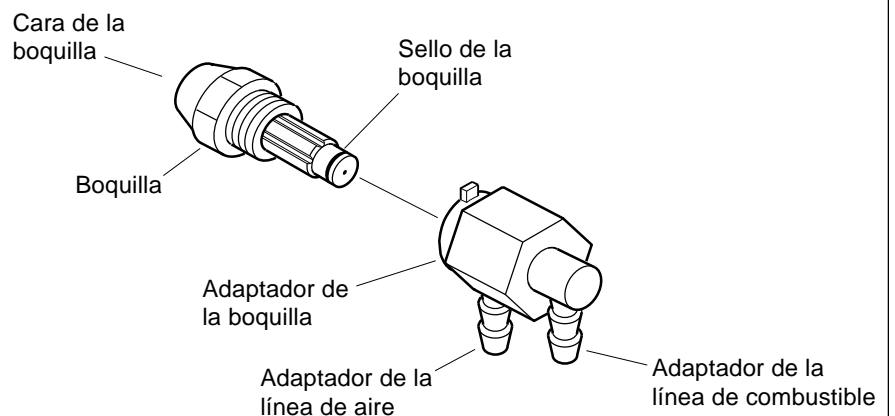


Figura 26 - Boquilla y adaptador, modelo de 8,8 kW (30,000 Btu/hr)

Boquilla

(Modelos de 20,5/26,4 kW [70/90,000 Btu/hr])

1. Quite el casco superior (vea la página 10).
2. Quite el ventilador (vea la página 19).
3. Quite las mangueras de las líneas de aire y de combustible del quemador.
4. Quite el cable de la bujía.
5. Quite la bujía del quemador con una llave de boca de 13/16".
6. Quite los tres tornillos con una llave de tuercas de 5/16" y quite el quemador de la cámara de combustión.
7. Coloque el quemador en una prensa y apretarla ligeramente.
8. Quite cuidadosamente la boquilla del quemador usando una llave de casquillo de 5/8" (vea la Figura 28).
9. Sople aire comprimido por la cara de la boquilla. Esto despedirá la tierra de la zona de la boquilla.
10. Inspeccione el sello de la boquilla en busca de daños.
11. Vuelva a colocar la boquilla en el quemador y apriétela firmemente (9,1-12,4 Nm [80-110 in.-lb]).
12. Sujete el quemador a la cámara de combustión.
13. Instale la bujía en el quemador.
14. Conecte el cable de la bujía.
15. Sujete las mangueras de las líneas de aire y de combustible al quemador.
16. Vuelva a colocar el ventilador (vea la página 19).
17. Vuelva a colocar el protector del ventilador y el casco superior.

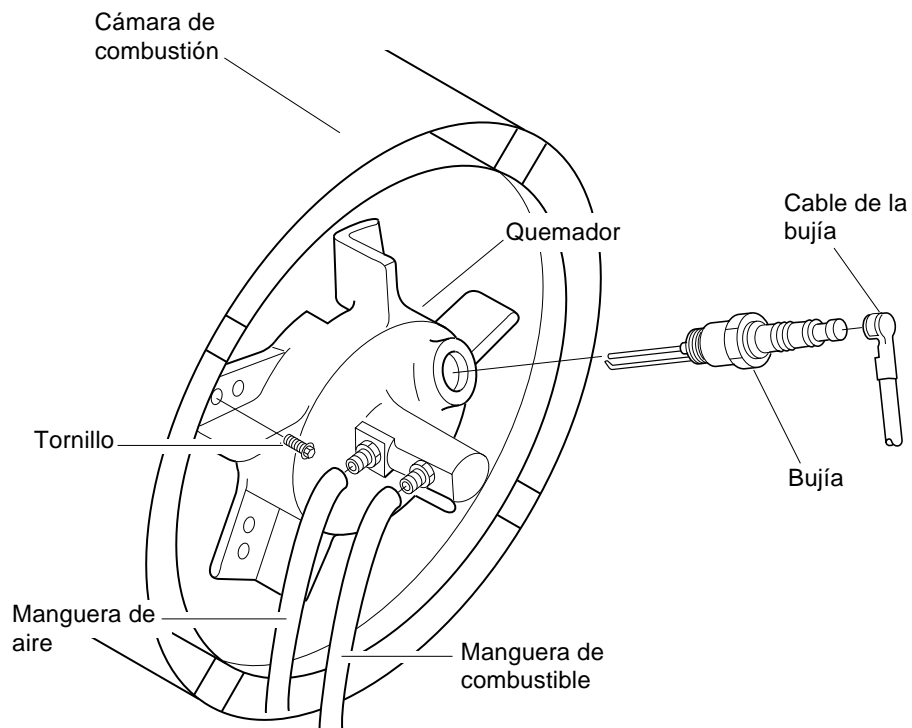


Figura 27 - Remoción del quemador, modelos de 20,5/26,4 kW (70/90,000 Btu/hr)

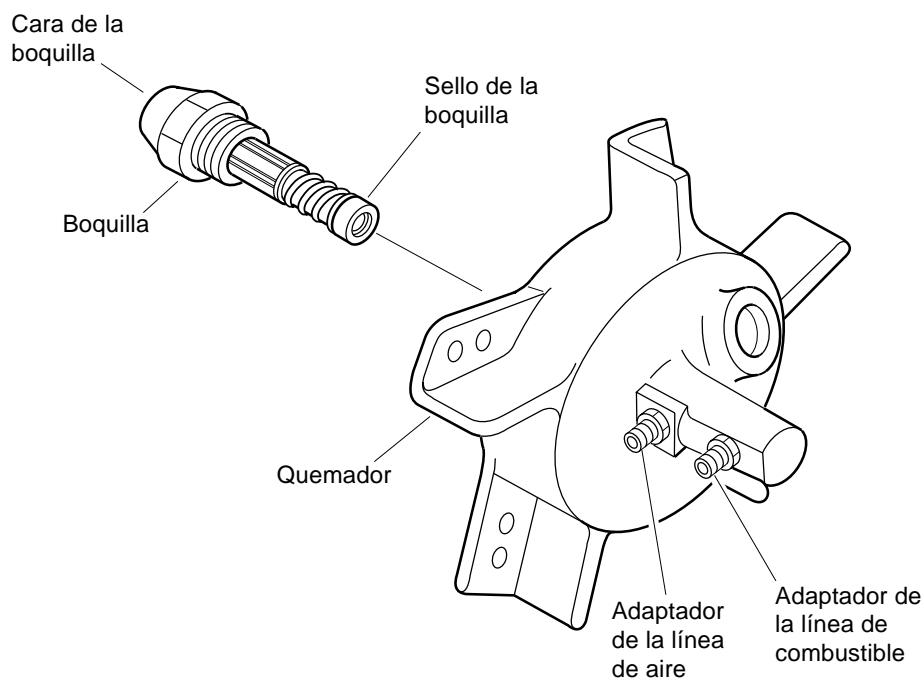


Figura 28 - Remoción de la boquilla, modelos de 20,5/26,4 kW (70/90,000 Btu/hr)

Boquilla

(Modelo de 44 kW [150,000 Btu/hr])

1. Quite el casco superior (vea la página 10).
2. Quite el ventilador (vea la página 19).
3. Quite el cable de la bujía.
4. Quite la bujía del quemador con una llave de boca de 13/16".
5. Afloje la tuerca abocinada con una llave de boca de 3/4". Empuje el tubo de combustible hacia abajo.
6. Quite la manguera de la línea de aire del quemador.
7. Quite los tres tornillos con una llave de tuercas de 5/16" y quite el quemador de la cámara de combustión.
8. Coloque el quemador en una prensa y apretarla ligeramente.
9. Quite cuidadosamente la boquilla del quemador usando una llave de casquillo de 5/8" (vea la Figura 30).
10. Sople aire comprimido por la cara de la boquilla. Esto despedirá la tierra de la zona de la boquilla.
11. Inspeccione el sello de la boquilla en busca de daños.
12. Vuelva a colocar la boquilla en el quemador y apriétela firmemente (9,1-12,4 Nm [80-110 in.-lb]).
13. Sujete el quemador a la cámara de combustión.
14. Instale la bujía en el quemador.
15. Conecte el cable de la bujía.
16. Sujete la manguera de la línea de aire y el tubo de combustible al quemador. Apriete la tuerca abocinada hasta que la tuerca quede asentada contra el tubo de combustible y el adaptador. Apriétela 1/4 de vuelta adicional con la llave de boca de 3/4" (11,3-14,7 Nm [100-130 in.-lb]).
17. Vuelva a colocar el ventilador (vea la página 19).
18. Vuelva a colocar el protector del ventilador y el casco superior.

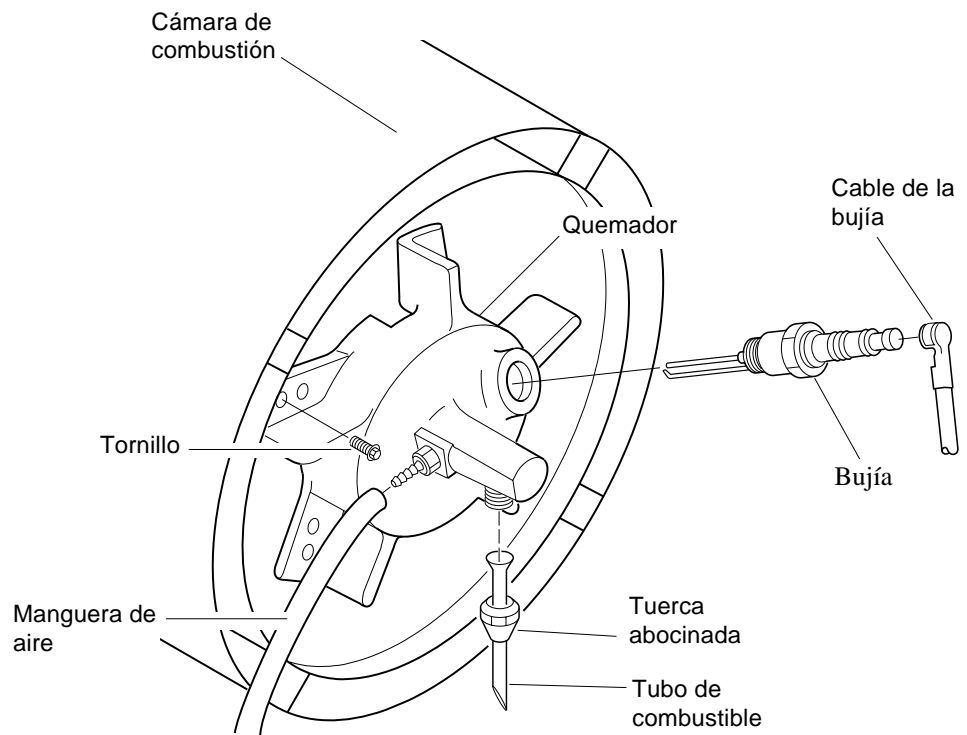


Figura 29 - Remoción del quemador, modelo de 44 kW (150,000 Btu/hr)

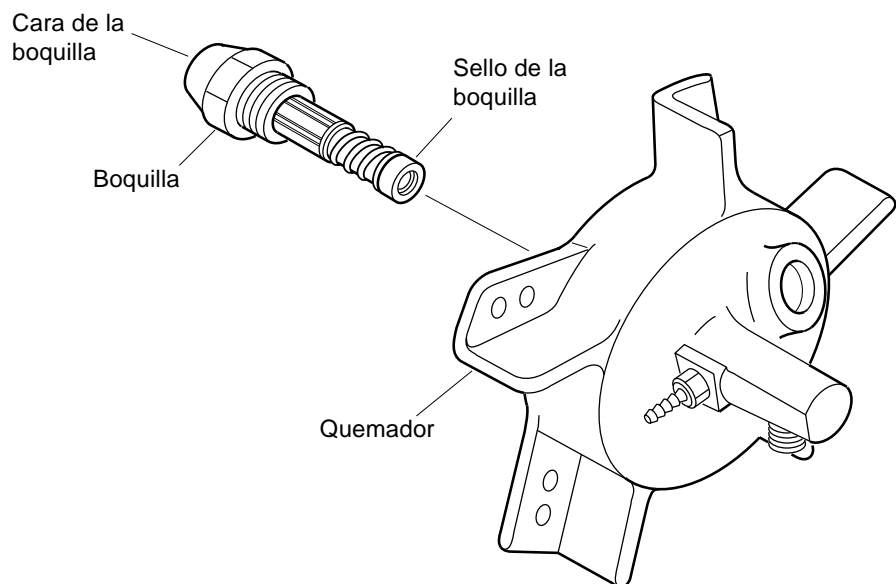


Figura 30 - Remoción de la boquilla, modelo de 44 kW (150,000 Btu/hr)

Rotor de la bomba

(Procedimiento si el rotor se atasca)

1. Quite el casco superior (vea la página 10).
2. Quite los tornillos de la cubierta del extremo del filtro con una llave de tuercas de 5/16".
3. Quite la cubierta del extremo del filtro y los filtros de aire.
4. Quite los tornillos de la placa de la bomba con una llave de tuercas de 5/16".
5. Quite la placa de la bomba.
6. Quite el rotor, el inserto y las paletas.
7. Revise si hay suciedad en la bomba. Si hay suciedad, quítela con aire comprimido.
8. Instale el inserto y el rotor.
9. Verifique el espacio del rotor. Ajústelo a 0,076/0,101 mm (0.003/0.004 in.) si es necesario (vea la Figura 33).

Nota: Gire el rotor una vuelta completa para asegurarse que el espacio sea de 0,076/0,101 mm (0.003/0.004 in.) en la posición más apretada. Ajústelo si es necesario.

10. Instale las paletas, la placa de la bomba, los filtros de aire y la cubierta del extremo del filtro.
11. Vuelva a colocar el protector del ventilador y el casco superior.
12. Ajuste la presión de la bomba (vea la página 14).

Nota: Si el rotor aún se atasca, continúe de la siguiente manera.

13. Efectúe los pasos 1 al 6 arriba indicados.
14. Coloque un papel de lija fina (grano 600) en una superficie plana. Lije el rotor ligeramente siguiendo un movimiento en forma de "ocho" cuatro veces (vea la Figura 34).
15. Vuelva a instalar el inserto y el rotor.
16. Efectúe los pasos 10 al 12 arriba indicados.

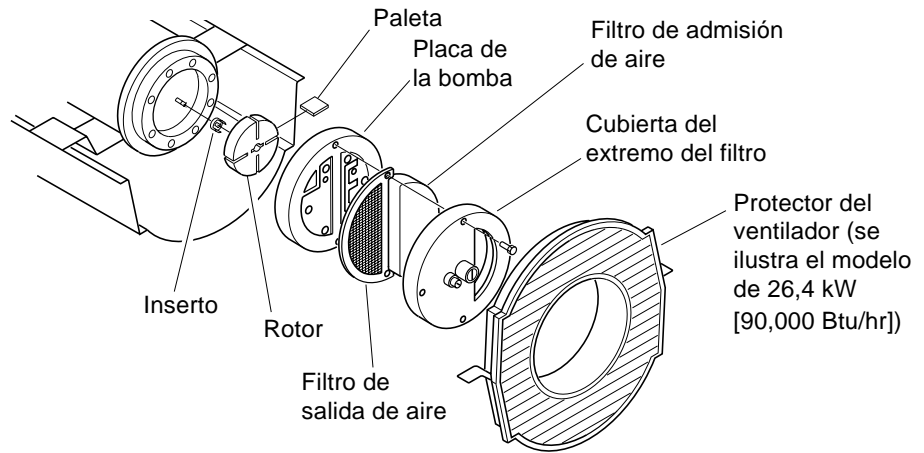


Figura 31 - Ubicación del rotor, modelos de 8,8/20,5 kW (30/70,000 Btu/hr)

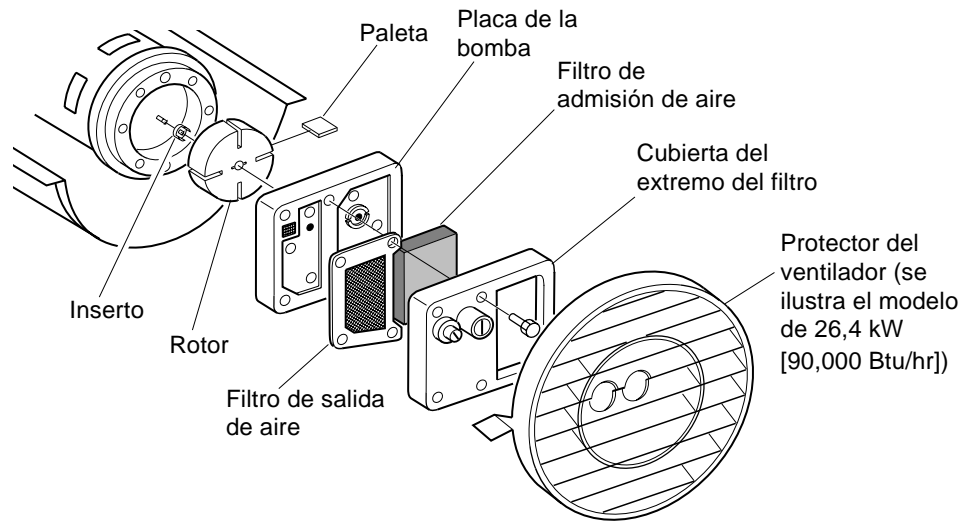


Figura 32 - Ubicación del rotor, modelos de 26,4/44 kW (90/150,000 Btu/hr)

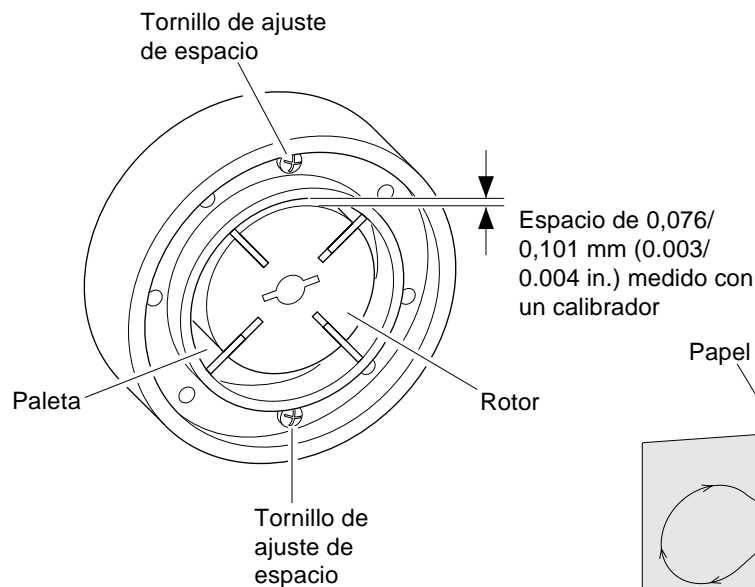


Figura 33 - Ubicaciones de tornillos de ajuste del espacio del rotor

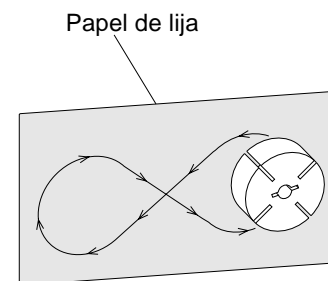


Figura 34 - Lijado del rotor

Ventilador

IMPORTANTE: Quite el ventilador del eje del motor antes de quitar el motor del calentador. Si el peso del motor se apoya sobre el ventilador, se podría dañar el paso de las paletas del ventilador.

1. Quite el casco superior (vea la página 10).
2. Utilice una llave hexagonal de 1/8" para aflojar el tornillo de fijación que sujeta el ventilador al eje del motor.
3. Quite el ventilador del eje del motor.
4. Limpie el ventilador con un trapo suave humedecido en keroseno o solvente.
5. Seque el ventilador por completo.
6. Vuelva a colocar el ventilador en el eje del motor. Coloque el cubo del ventilador a ras con el extremo del eje del motor (vea la Figura 36).
7. Coloque el tornillo de fijación en la parte plana del eje. Apriete el tornillo de fijación firmemente (4,5-5,6 Nm [40-50 in.-lb]).
8. Vuelva a colocar el protector del ventilador y el casco superior.

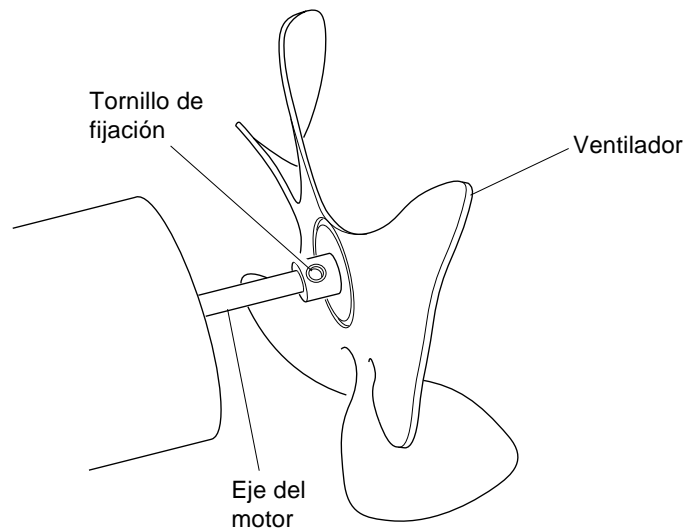


Figura 35 - Ubicación del ventilador, eje del motor y tornillo de fijación

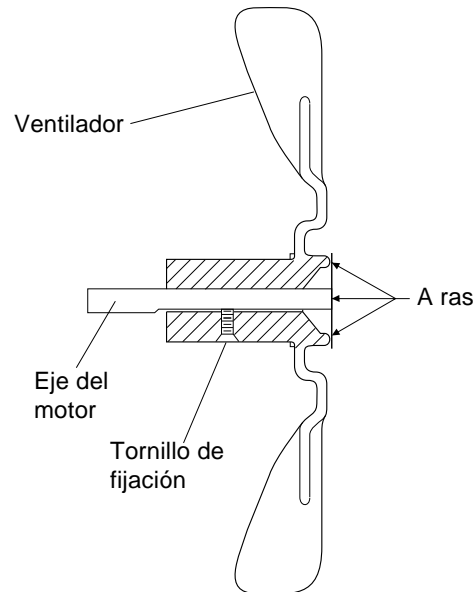


Figura 36 - Corte transversal del ventilador

ESPECIFICACIONES

Salida nominal (kW)	8,8	20,5	26,4	44
(Btu/hr)	30,000	70,000	90,000	150,000
Combustible	Use sólo keroseno o fueloil No. 1.			
Capacidad del tanque de combustible (l/gal)	11,35/3.0	18,92/5.0	34,06/9.0	51,09/13.5
Consumo de combustible (litros por hora/gal por hora)	0,87/0.23	1,85/0.49	2,5/0.66	4,16/1.10
Requisitos eléctricos	230 V/50 Hz (Para todos los modelos)			
Amperaje (funcionamiento normal)	0,8	1,0	1,58	1,5
Salida de aire caliente (m ³ /min - ft ³ /min)	3,96/140	6,36/225	12/425	17/600
Velocidad (rpm)	1425	2850	2850	2850

DIAGRAMAS DE ALAMBRADO

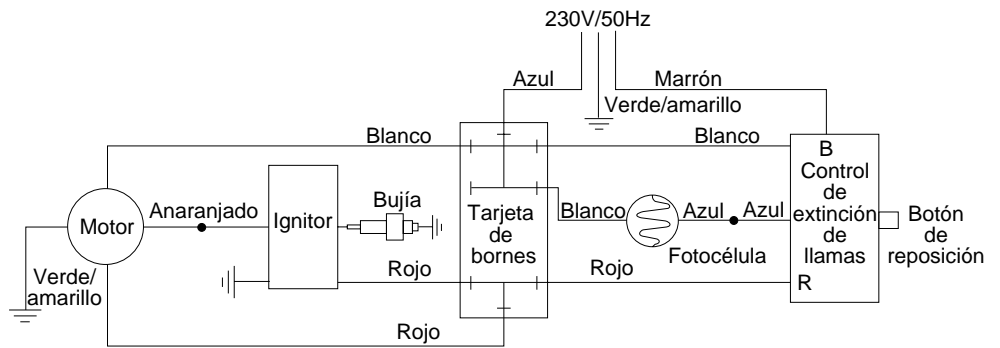


Figura 37 - Diagrama de alambrado, modelo de 8,8 kW (30,000 Btu/hr)

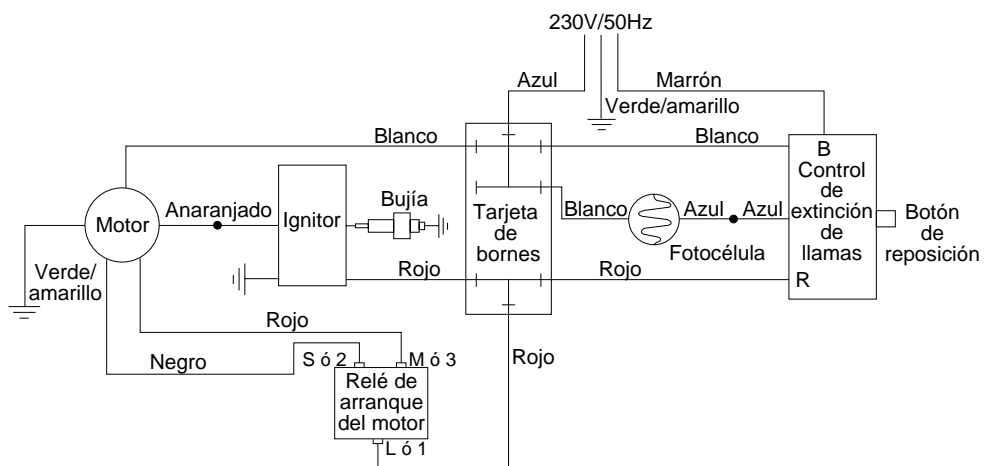


Figura 38 - Diagrama de alambrado, modelos de 20,5/26,4 kW (70/90,000 Btu/hr)

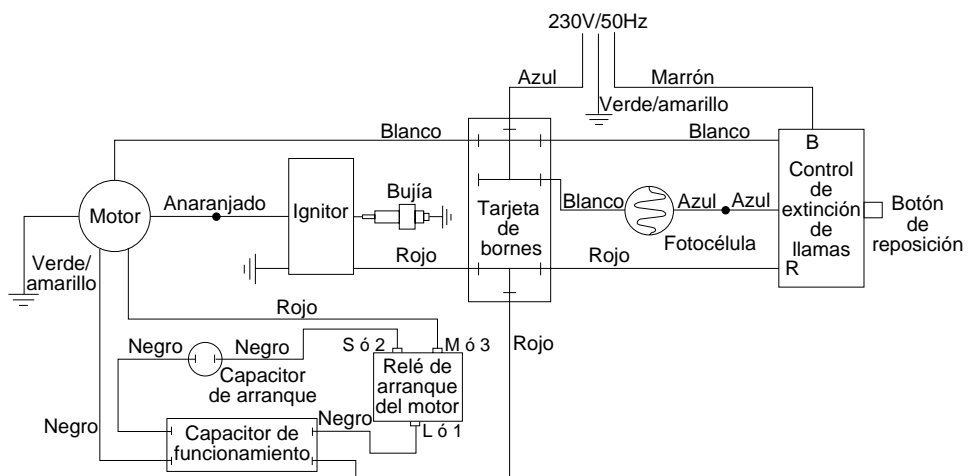


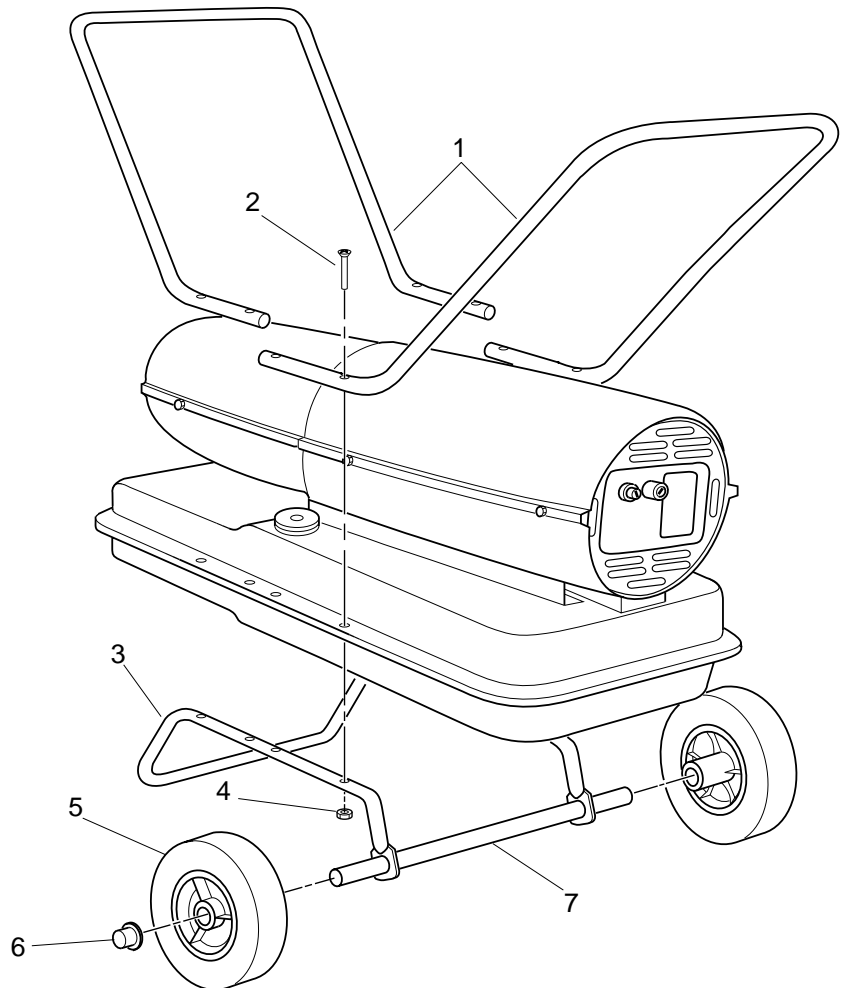
Figura 39 - Diagrama de alambrado, modelo de 44 kW (150,000 Btu/hr)

DESPIECE ILUSTRADO Y LISTA DE PIEZAS

26,4 Y 44 kW (90,000 Y
150,000 Btu/hr)

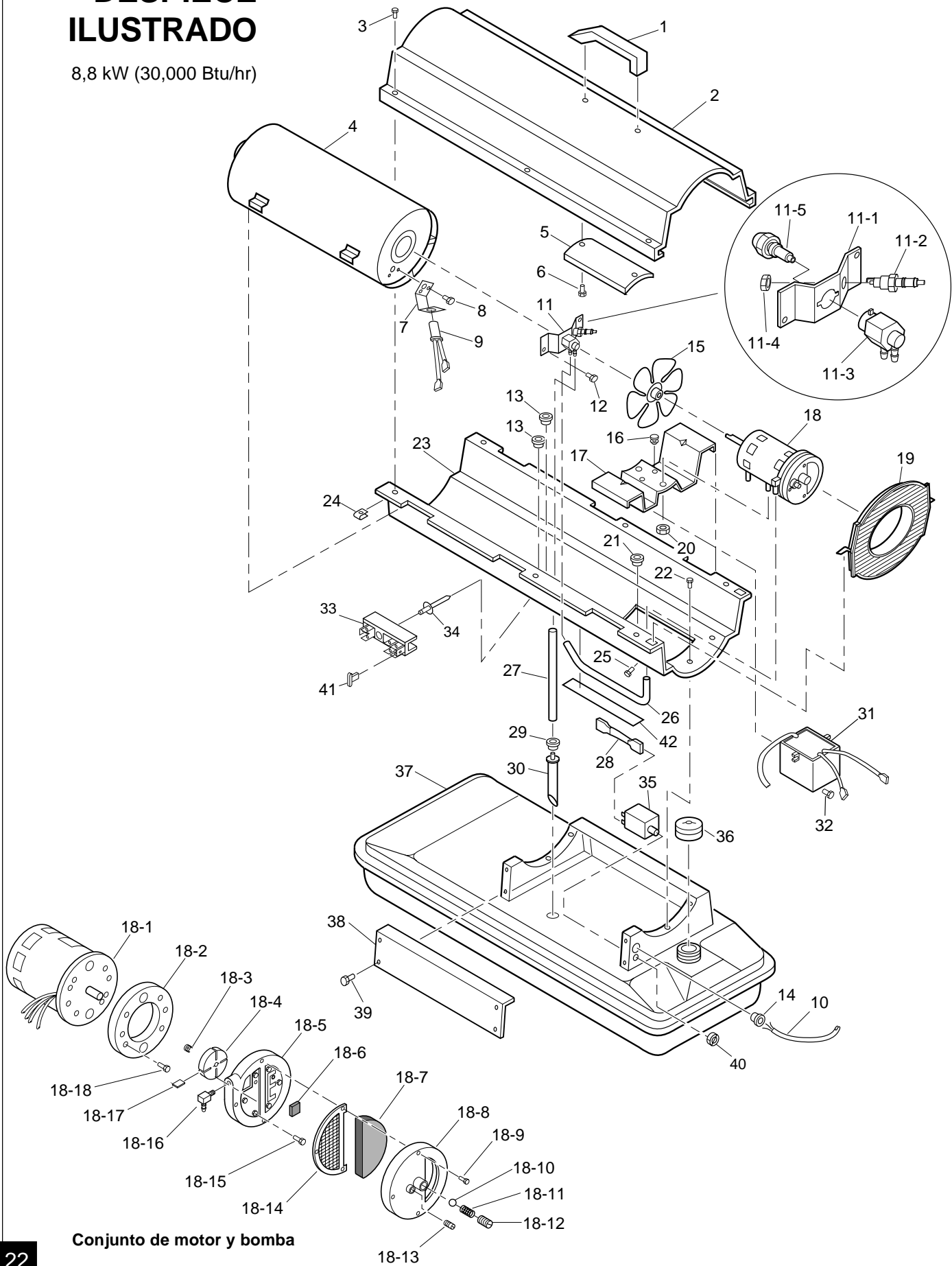
RUEDAS Y ASAS PARA MODELOS DE 26,4 Y 44 kW (90,000 Y 150,000 Btu/hr)

CLAVE	NO. PIEZA	DESCRIPCION	CANT. 26,4 kW (90,000)	CANT. 44 kW (150,000)
1	HA2203 HA2205	Asas	2	—
2	M12345-33	Tornillo, #10-24 x 1 3/4"	8	8
3	M12342-3 M12831-3	Bastidor de soporte de las ruedas	1	—
4	NTC-3C	Tuerca hexagonal, #10-24	8	8
5	097896-01	Rueda	2	2
6	M28526	Tuerca ciega	2	2
7	M51015-01 M16801-2	Eje	1	—
			—	1



DESPIECE ILUSTRADO

8,8 kW (30,000 Btu/hr)



LISTA DE PIEZAS

Esta lista contiene las piezas reemplazables del calentador. Al pedir repuestos, asegúrese de proporcionar el modelo y número de serie correctos (obtenidos de la chapa del número de modelo) y el número de pieza y descripción de la pieza deseada.

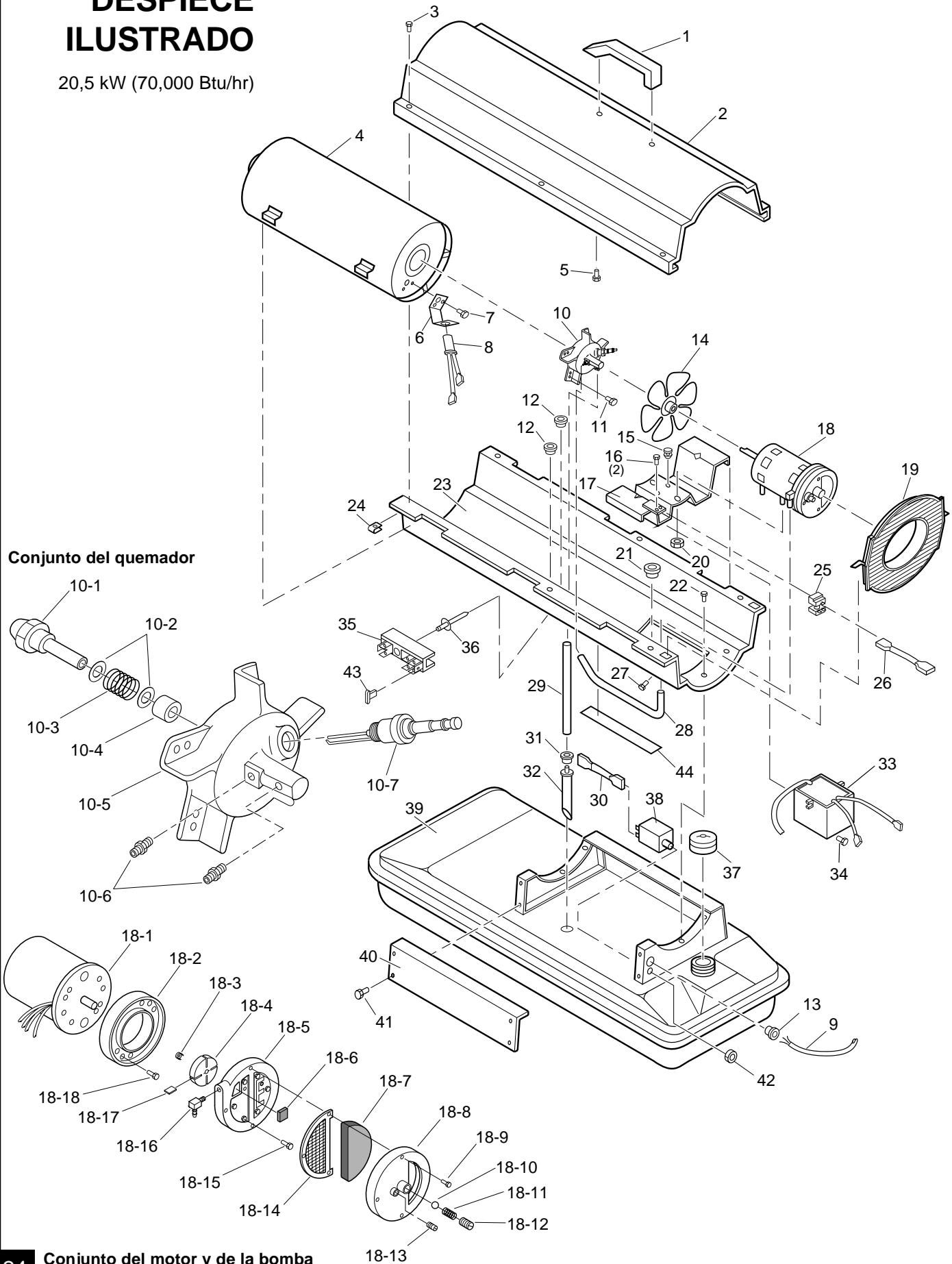
8,8 kW (30,000 Btu/hr)

CLAVE	NO. PIEZA	DESCRIPCION	CANT.	CLAVE	NO. PIEZA	DESCRIPCION	CANT.
1	M51104-01	Asa	1	19	M51105-01	Protector del ventilador	1
2	098511-67	Casco superior (negro)	1	20	NTC-4C	Contratuera hexagonal	2
	098511-54	Casco superior (amarillo)	1	21	M50104-02	Buje (alambres)	1
3	M15823-27	Tornillo, #10-16 x 1/2"	6	22	M11084-26	Tornillo, #10-16 x 3/8"	6
4	098512-05	Cámara de combustión	1	23	098511-81	Casco inferior (negro)	1
5	M51108-01	Escudo térmico	1		098511-12	Casco inferior (amarillo)	1
6	M11084-29	Tornillo, #10-16 x 3/4"	2	24	M11271-8	Tuerca de presilla	6
7	M16660	Soporte de fotocélula	1	25	M15823-37	Tornillo, #8-18 x 1/4"	1
8	M10908-2	Tornillo, #6-32 x 3/8"	2	26	M29652-04	Línea de aire de caucho	1
9	HA3019	Conjunto de fotocélula	1	27	M29652-05	Línea de combustible	1
10	079673-03	Cordón eléctrico	1	28	M16841-57	Conjunto de alambre (rojo 8-1/2")	1
11	**	Conjunto de banda fijadora del quemador	1	29	M10990-3	Buje de caucho	1
				30	M50876-04	Conjunto del filtro de combustible (Incluye el buje)	1
11-1	097124-01	Soporte	1				
11-2	M29835-2	Bujía	1	31	098557-07	Ignitor electrónico	1
11-3	079980-01	Adaptador de la boquilla	1	32	M11084-29	Tornillo, #10-16 x 3/4"	2
11-4	M29824	Tuerca, 14mm	1	33	099125-02	Tarjeta de bornes	1
11-5	M29681	Boquilla	1	34	099157-01	Remache	1
12	M11084-26	Tornillo, #10-16 x 3/8"	2	35	097630-02	Control de extinción de llamas	1
13	M30865-02	Buje	2	36	097702-01	Tapa del tanque de combustible	1
14	M11143-1	Buje de alivio	1	37	098513-23	Tanque de combustible	1
15	M30884	Ventilador	1	38	M50899-03AA	Cubierta lateral	1
16	M50631	Parachoques de caucho	2	39	M11084-26	Tornillo, #10-16 x 3/8"	2
17	098138-01	Soporte del motor	1	40	099177-01	Tuerca hexagonal	1
18	**	Conjunto de motor y bomba	1	41	078918-01	Tapa de lengüeta de tarjeta de bornes	1
18-1	098642-02	Motor (230V/50Hz)	1				
18-2	M8645-2	Cuerpo de la bomba	1	42	097785-01	Empaquetadura de espuma de vinilo	1
18-3	M22009	Inserto	1				
18-4	M22456-2	Rotor	1				
18-5	M29608	Cubierta de extremo de bomba	1				
18-6	M29632	Filtro de pelusa	1				
18-7	M29633	Filtro de admisión	1				
18-8	M29609	Cubierta de extremo del filtro	1				
18-9	M12461-31	Tornillo, #10-32 x 1"	3				
18-10	M8940	Bola de acero (diám. 1/4")	1				
18-11	M10993-1	Resorte de alivio de presión	1				
18-12	M27694	Tornillo de ajuste	1				
18-13	M22997	Tapón	1				
18-14	M29612-01	Filtro de salida	1				
18-15	M12461-32	Tornillo, #10-32 x 1 1/8"	6				
18-16	M50016	Codo de 90° (adaptador de punta)	1				
18-17	M8643-2	Paleta	4				
18-18	FHPF3-6C	Tornillo, #10-32 x 3/4"	2				
					PIEZAS DISPONIBLES - NO ILUSTRADAS		
					M18053	Tamiz del cuello de llenado	1
					097764-04	Etiqueta de nombre comercial (casco negro)	2
					097649-01	Etiqueta de nombre comercial (casco amarillo)	1
					098234-31	Etiqueta información gral. (inglés, casco negro)	1
					100941-01	Etiqueta información gral. (castellano, casco negro)	1
					098234-48	Etiqueta información gral. (inglés, casco amarillo)	1
					100941-04	Etiqueta información gral. (castellano, casco amarillo)	1

**No disponible como conjunto, pida las piezas por separado.

DESPIECE ILUSTRADO

20,5 kW (70,000 Btu/hr)



LISTA DE PIEZAS

Esta lista contiene las piezas reemplazables del calentador. Al pedir repuestos, asegúrese de proporcionar el modelo y número de serie correctos (obtenidos de la chapa del número de modelo) y el número de pieza y descripción de la pieza deseada.

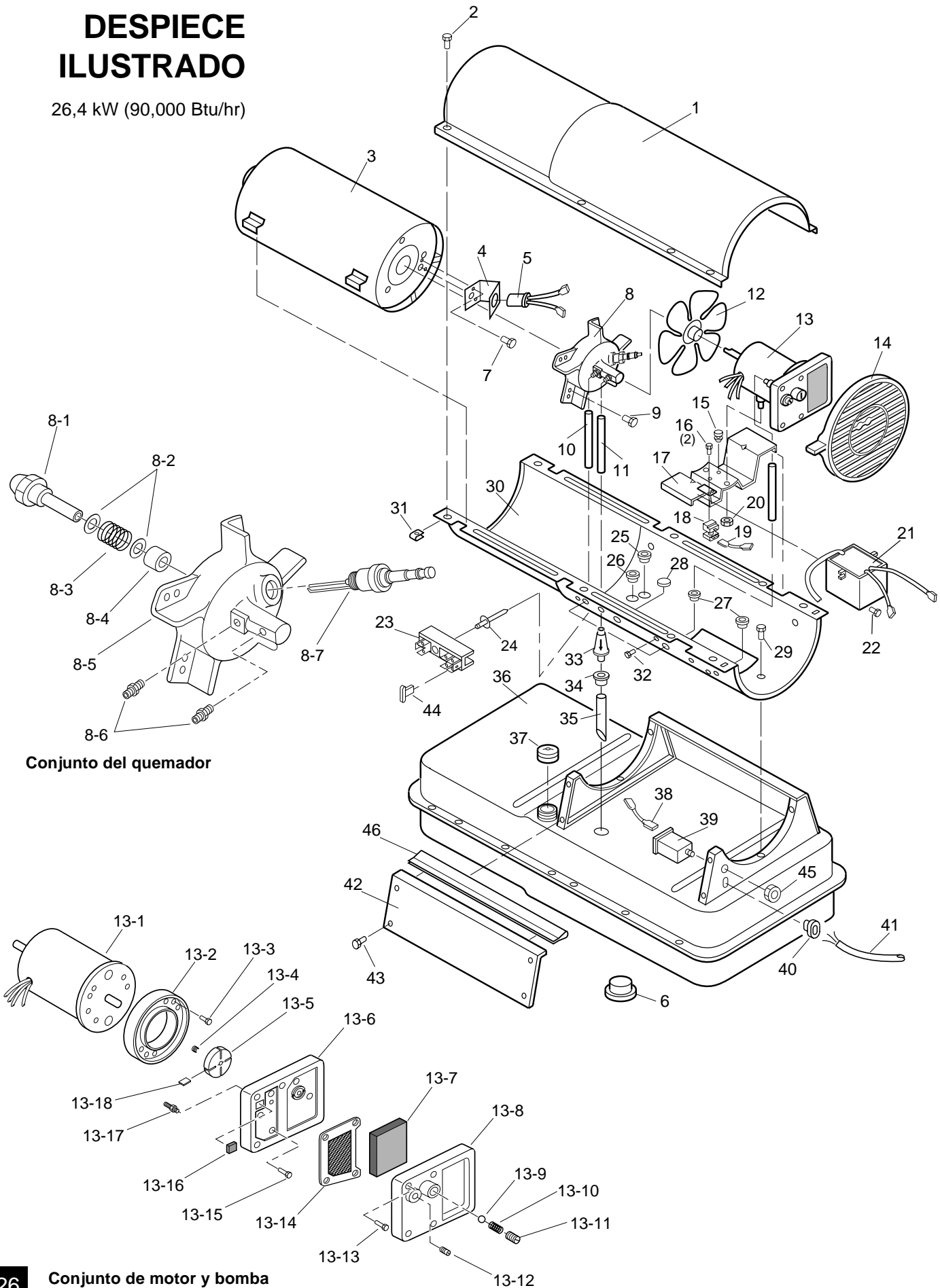
20,5 kW (70,000 Btu/hr)

CLAVE	NO. PIEZA	DESCRIPCION	CANT.	CLAVE	NO. PIEZA	DESCRIPCION	CANT.
1	M51104-01	Asa	1	19	M51105-01	Protector del ventilador	1
2	098511-67	Casco superior (negro)	1	20	NTC-4C	Contratuercas hexagonales	2
	098511-54	Casco superior (amarillo)	1	21	M50104-02	Buje (alambres)	1
3	M15823-27	Tornillo, #10-16 x 1/2"	6	22	M11084-26	Tornillo, #10-16 x 3/8"	6
4	098512-12	Cámara de combustión	1	23	098511-81	Casco inferior (negro)	1
5	M11084-29	Tornillo, #10-16 x 3/4"	2		098511-12	Casco inferior (amarillo)	1
6	M16660	Soporte de fotocélula	1	24	M11271-8	Tuerca de presilla	6
7	M10908-2	Tornillo, #6-32 x 3/8"	2	25	098136-02	Relé (arranque del motor)	1
8	HA3019	Conjunto de fotocélula	1	26	M16841-58	Conjunto de alambre (rojo 9-1/2")	1
9	079673-03	Cordón eléctrico	1	27	M15823-37	Tornillo, #8-18 x 1/4"	1
10	**	Conjunto del quemador	1	28	M29652-04	Línea de aire de caucho	1
10-1	M50880-01	Boquilla	1	29	079973-01	Línea de combustible	1
10-2	M10659-1	Arandela del sello de la boquilla	2	30	M16841-57	Conjunto de alambre (rojo 8-1/2")	1
10-3	M10809-1	Resorte del sello de la boquilla	1	31	M10990-3	Buje de caucho	1
10-4	M8882	Manguito del sello de la boquilla	1	32	M50876-05	Conjunto del filtro de combustible (Incluye el buje)	1
10-5	M51098-02	Quemador	1				
10-6	M50820-01	Adaptador de punta	2	33	098557-07	Ignitor electrónico	1
10-7	M10962-2	Bujía	1	34	M11084-29	Tornillo, #10-16 x 3/4"	2
11	M11084-27	Tornillo, #10-16 x 1/2"	3	35	099125-02	Tarjeta de bornes	1
12	M30865-02	Buje	2	36	099157-01	Remache	1
13	M11143-1	Buje de alivio	1	37	097702-01	Tapa del tanque de combustible	1
14	097026-01	Ventilador	1	38	097630-02	Control de extinción de llamas	1
15	M50631	Parachoques de caucho	2	39	098513-24	Tanque de combustible	1
16	M12461-13	Tornillo, #8-32 x 1/4"		40	M50899-03AA	Cubierta lateral	1
		(sujeta el relé en posición)	2	41	M11084-26	Tornillo, #10-16 x 3/8"	2
17	098138-01	Soporte del motor y relé	1	42	099177-01	Tuerca hexagonal	1
18	**	Conjunto de motor y bomba	1	43	078918-01	Tapa de lengüeta de tarjeta de bornes	1
18-1	098782-02	Motor (230V/50Hz)	1				
18-2	079975-01	Cuerpo de la bomba	1	44	097785-01	Empaquetadura de espuma de vinilo	1
18-3	M22009	Inserto	1				
18-4	M22456-1	Rotor	1				
18-5	M29608	Cubierta de extremo de bomba	1				
18-6	M29632	Filtro de pelusa	1				
18-7	M29633	Filtro de admisión	1				
18-8	M29609	Cubierta de extremo del filtro	1				
18-9	M12461-31	Tornillo, #10-32 x 1"	3				
18-10	M8940	Bola de acero (diám. 1/4")	1				
18-11	M10993-1	Resorte de alivio de presión	1				
18-12	M27694	Tornillo de ajuste	1				
18-13	M22997	Tapón	1				
18-14	M29612-01	Filtro de salida	1				
18-15	M12461-31	Tornillo, #10-32 x 1"	6				
18-16	M50016	Codo de 90° (adaptador de punta)	1				
18-17	M8643	Paleta	4				
18-18	FHPF3-2C	Tornillo, #10-32 x 1/4"	2				
					PIEZAS DISPONIBLES - NO ILUSTRADAS		
					M18053	Tamiz del cuello de llenado	1
					097764-03	Etiqueta de nombre comercial (casco negro)	2
					097649-01	Etiqueta de nombre comercial (casco amarillo)	1
					098234-43	Etiqueta información gral. (inglés, casco negro)	1
					100941-02	Etiqueta información gral. (castellano, casco negro)	1
					098234-49	Etiqueta información gral. (inglés, casco amarillo)	1
					100941-05	Etiqueta información gral. (castellano, casco amarillo)	1

**No disponible como conjunto, pida las piezas por separado.

DESPIECE ILUSTRADO

26,4 kW (90,000 Btu/hr)



Conjunto del quemador

Conjunto de motor y bomba

LISTA DE PIEZAS

Esta lista contiene las piezas reemplazables del calentador. Al pedir repuestos, asegúrese de proporcionar el modelo y número de serie correctos (obtenidos de la chapa del número de modelo) y el número de pieza y descripción de la pieza deseada.

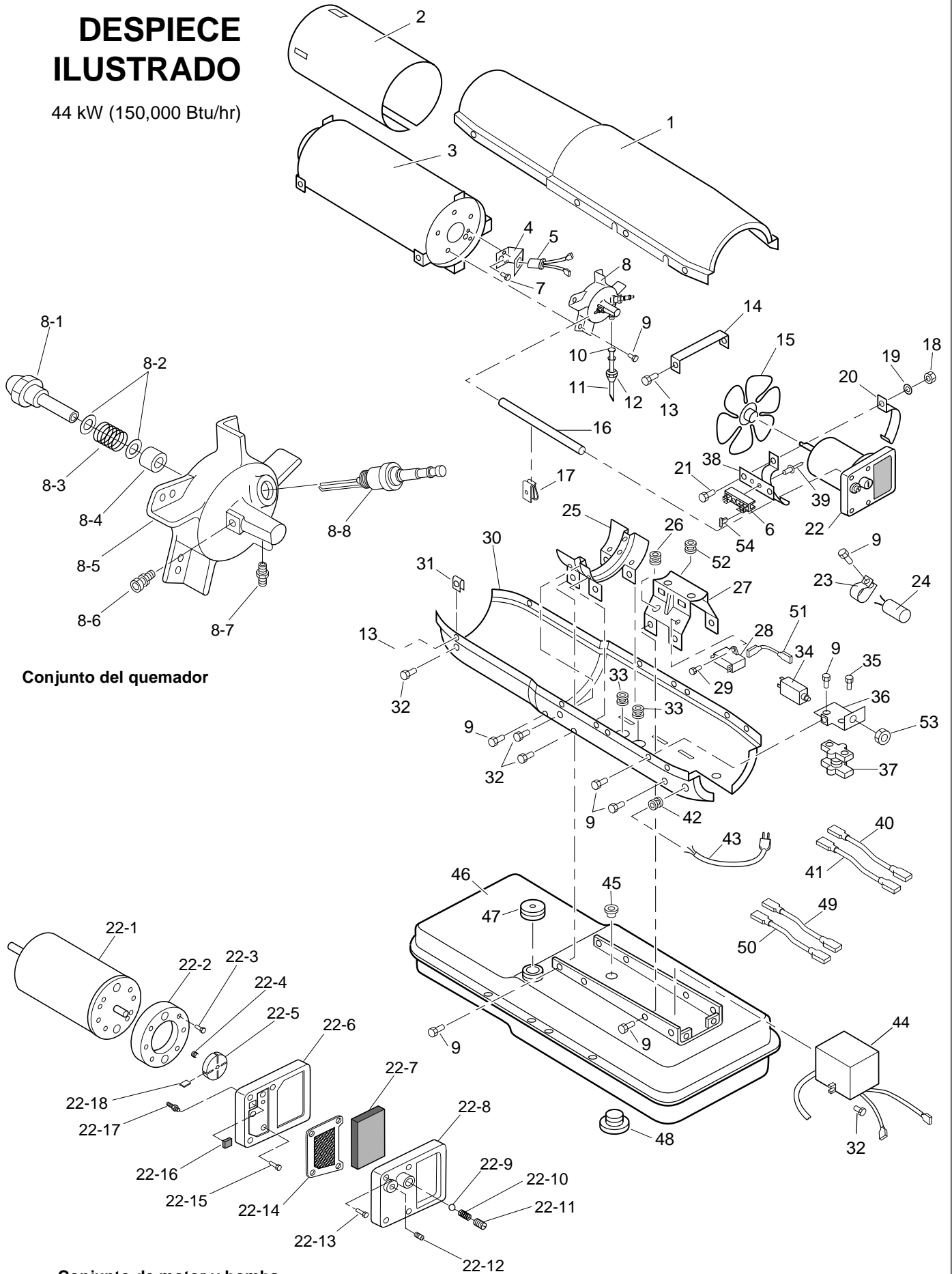
26,4 kW (90,000 Btu/hr)

CLAVE	NO. PIEZA	DESCRIPCION	CANT.	CLAVE	NO. PIEZA	DESCRIPCION	CANT.
1	098511-66	Casco superior (negro)	1	20	NTC-4C	Contratuercia hexagonal	2
	098511-138	Casco superior (amarillo)	1	21	098557-07	Ignitor electrónico	1
2	M15823-27	Tornillo, #10-16 x 1/2"	6	22	M11084-29	Tornillo, #10-16 x 3/4"	2
3	098512-07	Cámara de combustión	1	23	099125-02	Tarjeta de bornes	1
4	M16660	Soporte de fotocélula	1	24	099157-01	Remache	1
5	HA3019	Conjunto de fotocélula	1	25	M30865-02	Buje	1
6	M27417	Tapón de vaciado	1	26	M30865-02	Buje	1
7	M10908-2	Tornillo, #6-32 x 3/8"	2	27	M50104-01	Buje	2
8	**	Conjunto del quemador	1	28	099213-01	Tapón de botón	1
8-1	M23103	Boquilla	1	29	M11084-27	Tornillo, #10-16 x 1/2"	6
8-2	M10659-1	Arandela del sello de la boquilla	2	30	098511-82	Casco inferior (negro)	1
8-3	M10809-1	Resorte del sello de la boquilla	1		098511-140	Casco inferior (amarillo)	1
8-4	M8882	Manguito del sello de la boquilla	1	31	M11271-8	Tuerca de presilla	6
8-5	M50924-03	Cuerpo del quemador	1	32	M15823-37	Tornillo, #8-18 x 1/4"	1
8-6	M50820-02	Adaptador de punta	2	33	M51150-01	Filtro de combustible	1
8-7	M10962-2	Bujía	1	34	M10990-3	Buje de caucho	1
9	M11084-27	Tornillo, #10-16 x 1/2"	3	35	M51151-01	Línea de combustible	1
10	M50814-06	Línea de aire	1	36	098513-21	Tanque de combustible	1
11	M51345-01	Línea de combustible	1	37	097702-01	Tapa del tanque de combustible	1
12	097293-01	Ventilador	1	38	M16841-57	Conjunto de alambre (rojo 8-1/2")	1
13	**	Conjunto de motor y bomba	1	39	097630-02	Control de extinción de llamas	1
13-1	098783-02	Motor (230V/50Hz)	1	40	M11143-1	Buje de alivio	1
13-2	079975-01	Cuerpo de la bomba	1	41	079673-03	Cordón eléctrico	1
13-3	FHPF3-2C	Tornillo, #10-32 x 1/4"	2	42	M51077-01AA	Cubierta lateral	1
13-4	M22009	Inserto	1	43	M11084-27	Tornillo, #10-16 x 1/2"	4
13-5	M22456-1	Rotor	1	44	078918-01	Tapa de lengüeta de tarjeta de bornes	1
13-6	M50545	Cubierta de extremo de bomba	1				
13-7	M12179	Filtro de admisión	1	45	099177-01	Tuerca hexagonal	1
13-8	M16545	Cubierta de extremo del filtro	1	46	097468-01	Forro de borde	1
13-9	M8940	Bola de acero (diám. 1/4")	1	PIEZAS DISPONIBLES - NO ILUSTRADAS			
13-10	M10993-1	Resorte de alivio de presión	1				
13-11	M27694	Tornillo de ajuste	1		M18053	Tamiz del cuello de llenado	1
13-12	M22997	Tapón	1		097773-01	Etiqueta de nombre comercial (casco negro)	2
13-13	M12461-31	Tornillo, #10-32 x 1"	4		097650-01	Etiqueta de nombre comercial (casco amarillo)	1
13-14	M12244-1	Filtro de salida	1		098234-44	Etiqueta información gral. (inglés, casco negro)	1
13-15	M12461-31	Tornillo, #10-32 x 1"	6		100941-03	Etiqueta información gral. (castellano, casco negro)	1
13-16	M11637	Filtro de pelusa	1		098234-50	Etiqueta información gral. (inglés, casco amarillo)	1
13-17	M50820-02	Adaptador de punta	1		100941-06	Etiqueta información gral. (castellano, casco amarillo)	1
13-18	M8643	Paleta	4				
14	M51114-01	Protector del ventilador	1				
15	M50631	Parachosques de caucho	2				
16	M12461-13	Tornillo, #8-32 x 1/4"	2				
17	098138-02	Soporte del motor y relé	1				
18	098136-04	Relé (arranque del motor)	1				
19	M16841-59	Conjunto de alambre (rojo 13-1/2")	1				

**No disponible como conjunto, pida las piezas por separado.

DESPIECE ILUSTRADO

44 kW (150,000 Btu/hr)



Conjunto del quemador

Conjunto de motor y bomba

LISTA DE PIEZAS

Esta lista contiene las piezas reemplazables del calentador. Al pedir repuestos, asegúrese de proporcionar el modelo y número de serie correctos (obtenidos de la chapa del número de modelo) y el número de pieza y descripción de la pieza deseada.

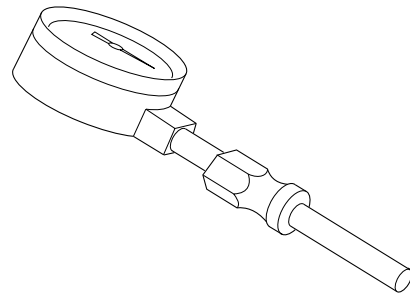
44 kW (150,000 Btu/hr)

CLAVE	NO. PIEZA	DESCRIPCION	CANT.	CLAVE	NO. PIEZA	DESCRIPCION	CANT.
1	098511-68	Casco superior (negro)	1	24	M12650-3	Capacitor	1
	098511-58	Casco superior (amarillo)	1	25	M12828	Soporte del casco	1
2	098068-01	Deflector de calor	1	26	M30865-04	Buje abierto/cerrado	1
3	098512-02	Cámara de combustión	1	27	M16645	Soporte del motor	1
4	M16660	Soporte de fotocélula	1	28	M51357-01	Capacitor (funcionamiento)	1
5	HA3019	Conjunto de fotocélula	1	29	M15823-39	Tornillo, #8-18 x 1/2"	1
6	099125-02	Tarjeta de bornes	1	30	098511-80	Casco inferior (negro)	1
7	M10908-2	Tornillo, #6-32 x 3/8"	2		098511-101	Casco inferior (amarillo)	1
8	**	Conjunto del quemador	1	31	M11271-8	Tuerca de presilla	9
8-1	M18022	Boquilla	1	32	M11084-29	Tornillo, #10-16 x 3/4"	8
8-2	M10659-1	Arandela del sello de la boquilla	2	33	M50104-03	Buje corto	2
8-3	M10809-1	Resorte del sello de la boquilla	1	34	097630-02	Control de extinción de llamas	1
8-4	M8882	Manguito del sello de la boquilla	1	35	M12461-13	Tornillo, #8-32 x 1/4"	2
8-5	M50924-01	Cuerpo del quemador	1	36	097060-01	Soporte de montaje	1
8-6	M50820-02	Adaptador de punta	1	37	M12462-13	Relé de arranque del motor	1
8-7	079685-01	Conector macho	1	38	099607-01	Soporte de tarjeta de bornes	1
8-8	M10962-2	Bujía	1	39	099157-01	Remache	1
9	M11084-27	Tornillo, #10-16 x 1/2"	18	40	M9900-183	Conjunto de alambrado (negro 6")	1
10	M19630	Filtro de combustible	1	41	M9900-184	Conjunto de alambrado (negro 15")	1
11	M16790-12	Tubo de combustible	1	42	M11143-1	Buje de alivio	1
12	M50660-05	Tuerca abocinada 45°	1	43	079673-03	Cordón eléctrico	1
13	M15823-27	Tornillo, #10-16 x 1/2"	10	44	098557-07	Ignitor electrónico	1
14	M16871	Banda retenedora	1	45	M10990-3	Buje de caucho	1
15	M17920	Ventilador	1	46	098513-08	Tanque de combustible	1
16	M50814-03	Línea de aire	1	47	097702-01	Tapa del tanque de combustible	1
17	M50873-01	Presilla	9	48	M27417	Tapón de vaciado	1
18	NPC-4C	Tuerca hexagonal, 1/4-20	2	49	079010-14	Conjunto de alambre (rojo 8-7/8")	1
19	WLM-4C	Arandela de seguridad, 1/4"	2	50	M9900-77	Conjunto de alambrado (negro 15")	1
20	M16661	Soporte del motor	4	51	M16841-57	Conjunto de alambre (rojo 8-1/2")	1
21	M51043-01	Perno, 1/4-20 x 1-1/2"	2	52	M30865-02	Buje abierto/cerrado	1
22	**	Conjunto de motor y bomba	1	53	099177-01	Tuerca hexagonal, 3/8-27	1
22-1	098784-02	Motor (230V/50Hz)	1	54	078918-01	Tapa de lengüeta de tarjeta de bornes	1
22-2	M8645-3	Cuerpo de la bomba	1				
22-3	FHPF3-7C	Tornillo, #10-32 x 7/8"	2				
22-4	M22009	Inserto	1				
22-5	M22456-3	Rotor	1				
22-6	M50545	Cubierta de extremo de bomba	1		M50140	Protector del ventilador	1
22-7	M12179	Filtro de admisión	1		097773-02	Etiqueta de nombre comercial (casco negro)	2
22-8	M16545	Cubierta de extremo del filtro	1		097650-01	Etiqueta de nombre comercial (casco amarillo)	1
22-9	M8940	Bola de acero (diám. 1/4")	1		M18053	Tamiz del cuello de llenado	1
22-10	M10993-1	Resorte de alivio de presión	1		098235-21	Etiqueta información gral. (inglés, casco negro)	1
22-11	M27694	Tornillo de ajuste	1		100942-01	Etiqueta información gral. (castellano, casco negro)	1
22-12	M22997	Tapón	1		098235-24	Etiqueta información gral. (inglés, casco amarillo)	1
22-13	M12461-31	Tornillo, #10-32 x 1"	4		100942-02	Etiqueta información gral. (castellano, casco amarillo)	1
22-14	M12244-1	Filtro de salida	1				
22-15	M12461-34	Tornillo, #10-32 x 1 1/2"	6				
22-16	M11637	Filtro de pelusa	1				
22-17	M50820-02	Adaptador de punta	1				
22-18	M8643-3	Paleta	4				
23	M12651-1	Soporte del capacitor	1				

**No disponible como conjunto, pida las piezas por separado.

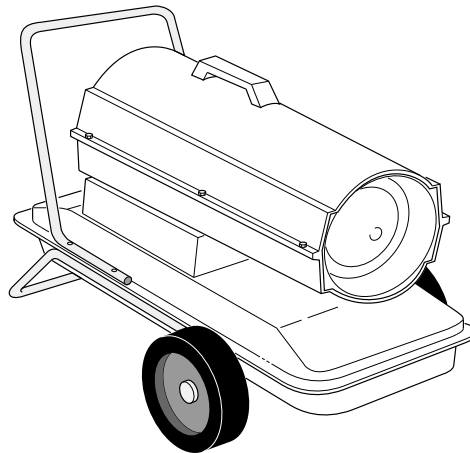
ACCESORIOS

Obtenga los accesorios a través del concesionario en su localidad.



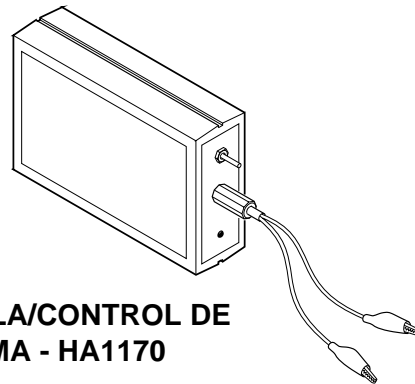
MANOMETRO DE AIRE - HA1180

Para todos los modelos. Herramienta especial para comprobar la presión de la bomba.



JUEGO DE RUEDAS Y ASA DE SERVICIO SEVERO - HA1202

Para aplicaciones de servicio severo. Hace el calentador más portátil y conveniente. Para los modelos de 8,8/20,5 kW (30/70,000 Btu/hr)



PROBADOR DE FOTOCÉLULA/CONTROL DE LA EXTINCIÓN DE LLAMA - HA1170

Para todos los modelos. Herramienta especial utilizada para probar la fotocélula y control de la extinción de llama.

GARANTIA Y REPARACIONES

CERTIFICADO DE GARANTIA LIMITADA DE 90 DIAS PARA EQUIPO GENERAL

DESA International garantiza que los productos nuevos que vende carecen de defectos en el material y fabricación por un período de noventa días a partir de la fecha de entrega al primer usuario y sujeto a las condiciones siguientes:

Las obligaciones y responsabilidades de DESA International bajo esta garantía se limitan expresamente a la reparación o el reemplazo a discreción de DESA International de los componentes que a juicio de DESA International y posterior a la inspección tenían defectos de material o fabricación al ser despachados de la fábrica. Tales componentes serán suministrados sin costo al usuario, al establecimiento comercial o a un centro de servicio autorizado por la fábrica o fábrica durante horas regulares de trabajo. La garantía no cubre los componentes o accesorios de productos no fabricados por DESA International, los cuales se encuentran amparados por garantías de sus fabricantes respectivos, ni cubre el mantenimiento normal (tal como los ajustes de presión) ni los repuestos normales (tales como filtros y bujías). Las piezas de repuesto o reparación instaladas en el producto amparado bajo esta garantía se garantizan únicamente por la porción restante del período de la presente garantía, como si tales fueran componentes originales de dicho producto. DESA INTERNATIONAL NO OFRECE NINGUNA GARANTIA EXPRESA ADICIONAL. HASTA EL PUNTO QUE ESTABLECE LA LEY, DESA INTERNATIONAL NO OFRECE GARANTIA IMPLICITA ALGUNA Y NO GARANTIZA LA IDONEIDAD NI LA

COMERCIABILIDAD DE ESTE PRODUCTO PARA ALGUN PROPOSITO ESPECIFICO. EN TODO CASO, LAS GARANTIAS IMPLICITAS, INCLUYENDO LAS DE COMERCIABILIDAD E IDONEIDAD PARA UN PROPOSITO ESPECIFICO, SE LIMITAN A LA DURACION DE LA PRESENTE GARANTIA EXPRESA.

Los costos de transporte, costos de instalación, honorarios, impuestos u otros recargos correrán por cuenta del usuario. La obligación de DESA International bajo esta garantía limitada no incluye responsabilidad por daños o retrasos directos, indirectos, fortuitos o consecuentes. Si DESA International así lo solicita, los productos sobre los cuales se efectúe algún reclamo deberán ser devueltos, a flete pagado por el usuario, a la fábrica. El uso indebido de este producto, incluyendo su uso después del descubrimiento de piezas defectuosas o desgastadas, el uso más allá de la capacidad, la sustitución de piezas por componentes no aprobados por DESA International o cualquier otra alteración o reparación por terceros que a juicio de DESA International afecte este producto de forma material y adversa, anulará la presente garantía.

NINGUN EMPLEADO O REPRESENTANTE CUENTA CON LA AUTORIDAD PARA ALTERAR ESTA GARANTIA EN MODO ALGUNO NI PARA OTORGAR GARANTIAS ADICIONALES A MENOS QUE TAL ALTERACION SE HAGA POR ESCRITO Y SEA FIRMADA POR UN OFICIAL EN LA CASA MATRIZ DE DESA INTERNATIONAL.

SERVICIO DE GARANTIA

Siempre especifique los números de modelo y de serie al comunicarse con la fábrica.

Nos reservamos el derecho de enmendar estas ESPECIFICACIONES en cualquier momento y sin previo aviso. La única garantía aplicable al producto es nuestra garantía estándar dada por escrito. No se ofrece ninguna garantía adicional, ni expresa ni implícita.

Se puede obtener un Manual de servicio solicitándolo por correspondencia al Departamento de servicios técnicos a la dirección siguiente:

DESA
INTERNATIONAL
Corporate Headquarters

2701 Industrial Drive

P.O. Box 90004

Bowling Green, Kentucky 42102-9004 EE.UU.