

[www.ergotron.com](http://www.ergotron.com)

USA 1-800-888-8458

Europe +31 (0)33-45 45 600

China 400-120-3051

## Table of Contents

Hazard Symbols Review .....	2
Components & Tools .....	2
Features .....	2
Optional Security Mount .....	3
Tablet Charging .....	4
LED Indicators .....	5
Trouble Shooting .....	5
Cleaning and Maintenance.....	6
Specifications.....	7
Service and Warranty Information .....	8

For the latest User Installation Guide please visit: [www.ergotron.com](http://www.ergotron.com)



User's Guide - English

Guía del usuario - Español

Manuel de l'utilisateur - Français





Gebrauchsanleitung - Deutsch

ユーザーガイド：日本語

用户指南：汉语

## Safety Hazard Review

These symbols alert users of a safety condition that demands attention. All Tablet Management Desktop 16 users should be able to recognize and understand the significance of the following Safety Hazards if encountered on the Desktop 16 or within Desktop 16 documentation. Children who are not able to recognize and respond appropriately to Safety Alerts should not use the Desktop 16 without adult supervision!

Symbol	Signal Word	Level of Hazard
	<b>NOTE</b>	A NOTE indicates important information that helps you make better use of your Desktop 16.
	<b>CAUTION</b>	A CAUTION indicates either potential damage to hardware or loss of data and tells you how to avoid the problem.
	<b>WARNING</b>	A WARNING indicates either potential for property damage, personal injury, or death.
	<b>ELECTRICAL</b>	An Electrical indicates an impending electrical hazard which, if not avoided, may result in personal injury, fire and/or death.

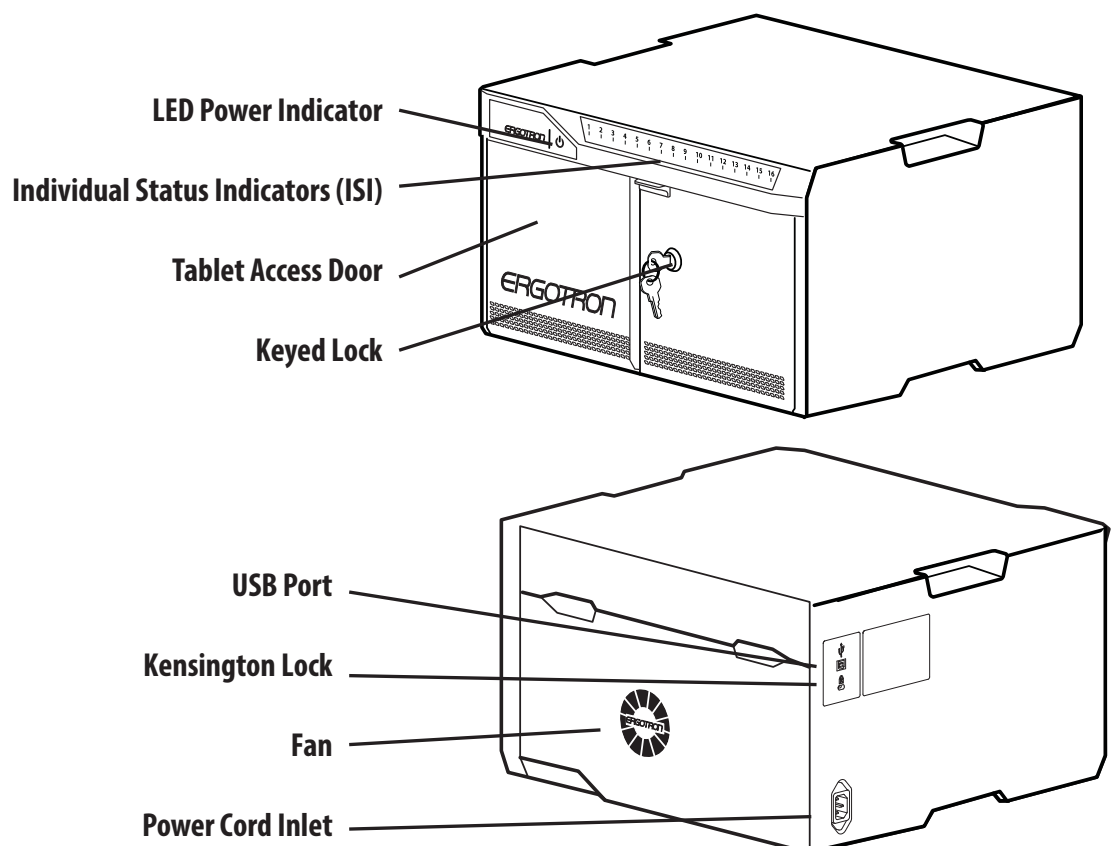
## Components

One Tablet Management Desktop Unit includes 2 Keys, Power Cord, Security Mounting Kit: M6 security screw (Quantity 2), washer (Quantity 2), and security wrench.

## Tools

Electric Drill and 1/4" or 17/64" (6.5 mm) Drill Bit  
Measuring Tool, Pencil

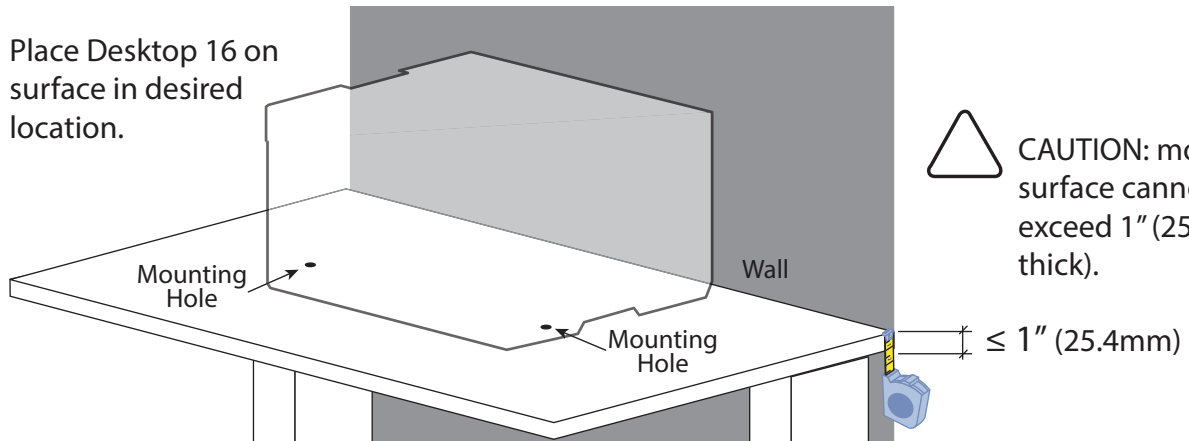
## Features



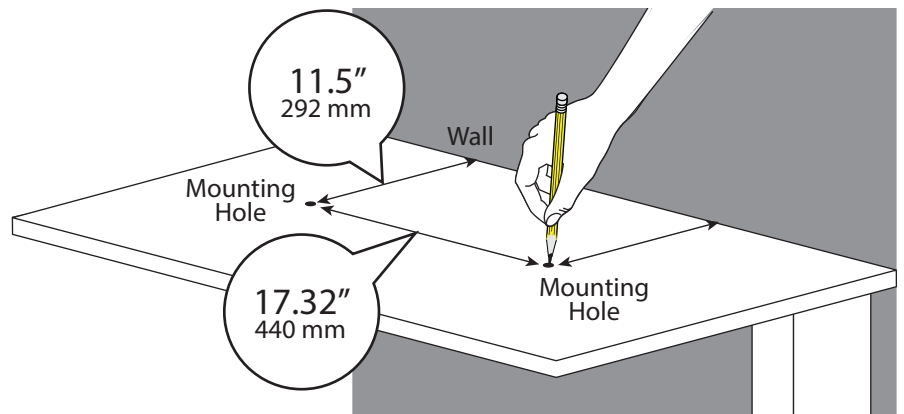
## Security Mounting Kit Option

For mounting the Desktop 16 to a work surface (desktop, countertop, table, etc.)

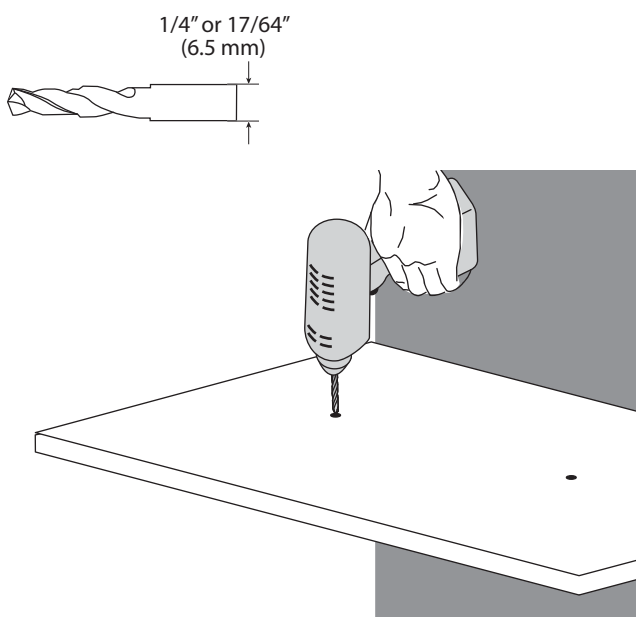
- 1 Place Desktop 16 on surface in desired location.



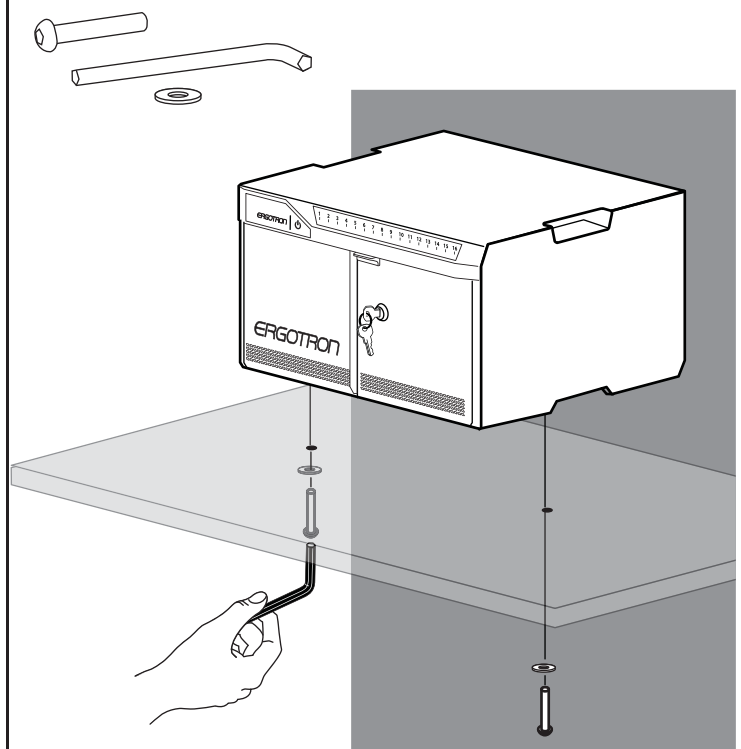
- 2 Remove the Desktop 16. Use a pencil to mark the mounting hole locations.



- 3 Drill two mounting holes using a 0.266" OD drill bit.



- 4 Use the security wrench to insert provided M6 screws and washers.

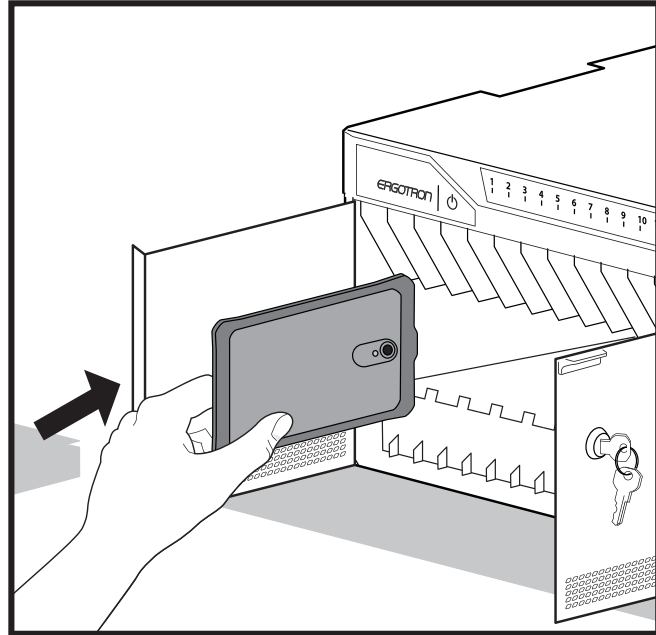


## Tablet Charging

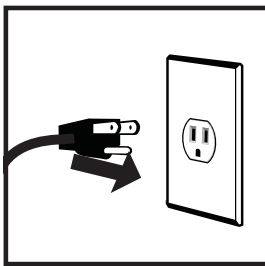
- 5 Insert Samsung Galaxy Tab Active into Desktop 16. Screen should be facing to left and pen side should be inserted first for a correct connection.



NOTE: Product is designed for use with case that ships with Samsung Galaxy Tab Active 8.0". Please verify case is installed.



6



To begin charging the tablets, plug in the Desktop 16 power cord from the Desktop 16 into the wall outlet.

The power cord is used to turn the Desktop 16 power on and off. Charging occurs whenever the power cord is connected.



NOTE: The Desktop 16 power cord acts as the connect/disconnect device switching power on and off.




- 7 Verify blue power LED is not flashing

- 8 Verify ISI is on and solid.



- 9 Close door and lock when done.

## LED - Indicators

**Power Indicator** – communicates sync and charge status with the following signals:

	Off	=	No power to the Desktop 16.
	On - solid	=	Galaxy Tab Active devices are charging.
	On - fast blink	=	Fault Status. Please make sure the Samsung Galaxy Tab Active 8.0" is seated correctly within unit and cart is operating within specified operating temperature. Contact Ergotron Customer Support if problem continues.

**Individual Status Indicators (ISI)** – sequentially numbered LEDs corresponding to each tablet in the Desktop 16:

-  **Green = Fully charged.**
-  **Amber = Charging in progress.**

## Trouble Shooting

**Blue Power On LED Flashing:** Samsung Galaxy Tab Active 8.0" possibly inserted incorrectly. Try reinserting, verifying the screen is facing to the left.

# Cleaning and Maintenance

## Desktop 16 and Equipment Electric Safety

There are specific risks associated with the use of equipment having power cables. You must be aware of, and avoid these risks when the Desktop 16 is located in close proximity to children.



**WARNING:** Failure to observe the following Electrical Safety notices can result in fire or death by electric shock.



Electrical cables can be hazardous. Misuse can result in fire or death by electrical shock.

- Double Pole / Neutral Fusing
- Inspect power cables thoroughly before each use.
- Do not use cables that are damaged.
- Insert the plug completely into the outlet.
- Grasp the plug to remove from the outlet.
- Do not unplug by pulling on the cable.
- Do not use excessive force to make connections.
- Do not plug the cable into an extension cable.
- Do not remove, bend or modify any metal prongs or pins of cable.
- Do not drive, drag or place objects over the cable.
- Do not walk on the cable.
- Avoid overheating. Uncoil the cable and do not cover it with any material.
- Do not run cable through doorways, holes in ceilings, walls or floors.



Keep the Desktop 16 away from water.

- Do not use it when wet.
- Do not place the Desktop 16 in close proximity to flammable liquids or gases.



The Desktop 16 power cord acts as the connect/disconnect device switching power on and off.

## Desktop 16 Use Safety

There are specific risks associated with the use of Desktop 16 when moving or stationary (for charging or storage). You must be aware of, and avoid these risks when the Desktop 16 is located in close proximity to children.



**WARNING:** Failure to observe the following Desktop 16 Use Safety notices may result in serious personal injury or equipment damage.



Do not allow children to move the Desktop 16.

- Do not allow anyone to sit, stand, or climb on the Desktop 16.
- Do not block the fans and vent openings. To prevent overheating, leave at least 102 mm (4-inch) clearance around fans and vents.



The Desktop 16 is designed to be used indoors only.

- Do not use the Desktop 16 to transport or store equipment other than what has been noted in this guide.
- Do not use the Desktop 16 to store liquids or cleaning supplies.
- Do not place heavy objects on the Desktop 16 surface.
  - The maximum weight capacity of the top surface is 25 lb (11.3 kg).



### Moving the Desktop 16

Before moving the Desktop 16:

1. Disconnect the power cable from the wall.
2. Close and lock the doors.
3. Remove notebook and other items from the top work surface.



Two people are required to lift the Desktop 16; use caution when lifting the Desktop 16 to prevent muscle strain.



### Desktop 16 Placement

Observe these safety alerts for times when the Desktop 16 is stationary:

- Do not place Desktop 16 on an object or surface that cannot support its weight: 28.5 lbs (13 kg).
- Do not run cables through doorways, holes in ceilings, walls, or floors.
- Do not run cables across hallways, classrooms, or other areas where they will be walked on.
- Do not leave Desktop 16 unattended in areas where children have access.
- Keep Desktop 16 doors closed and locked whenever it is unattended or parked for charging or storage.

# Specifications

This device complies with Part 15 of the FCC Rules. Operation is subject to the following two conditions:

- 1) This device may not cause harmful interference.
- 2) This device must accept any interference received, including interference that may cause undesired operation.

CAN ICES3(A)/NMB-3(A).

Changes or modifications not expressly approved by the Ergotron could void the user's authority to operate the equipment.

Intended for institutional use.

この装置は、クラスA情報技術装置です。この装置を家庭環境で使用すると電波妨害を引き起こすことがあります。この場合には使用者が適切な対策を講ずるよう要求されることがあります。 VCCI-A

## Desktop 16 dimensions

18.3 W x 16.2 D x 10.4 in H  
(46.5 x 41 x 26.4 cm)

## Desktop 16 weight (w/o equipment)

28.5 lb (13 kg)

## Desktop 16 Rated weight capacity

Top Work Surface 25 lb (11.3 kg)

## LED status indicators (ISI)

Lights indicate charge status

Desktop 16 16 LED lights

## Cooling/ventilation

One 5-volt DC continuous operation fan

## Shipping dimensions

21.2 W x 18.6 D x 12.8 in H (53.8 x 47.3 x 32.5 cm)

## Shipping weight

33.5 lb (15.0 kg)

## Power System

100-240 V~, 3.0A, 50/60 Hz

## Environmental

Temperature range:

Operating 0° to 40°C (32° to 104°F)

Storage -40° to 60°C (-40° to 140°F)

Relative humidity (maximum):

Operating 10%–90% (non condensing)

Storage 5%–95% (non condensing)

Altitude (maximum): 2000 m (6,562 ft)

## Compatibility:

Samsung Galaxy Tab Active 8.0" only.

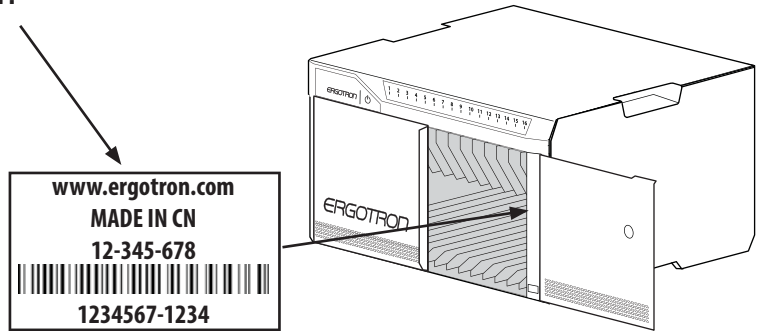
# Service and Warranty

For service and warranty visit [www.ergotron.com](http://www.ergotron.com)

For local customer care phone numbers visit: <http://contact.ergotron.com>



**NOTE:** When contacting customer service, reference the serial number.



## Americas Sales and Corporate Headquarters

1181 Trapp Rd.  
St. Paul, MN USA  
(800) 888-8458  
+1-651-681-7600  
[www.ergotron.com](http://www.ergotron.com)  
[sales@ergotron.com](mailto:sales@ergotron.com)

## EMEA Sales

Amersfoort, The Netherlands  
+31 33 45 45 600  
[www.ergotron.com](http://www.ergotron.com)  
[info.eu@ergotron.com](mailto:info.eu@ergotron.com)

## APAC Sales

Tokyo, Japan  
[www.ergotron.com](http://www.ergotron.com)  
[apacustomerservice@ergotron.com](mailto:apacustomerservice@ergotron.com)

## Worldwide OEM Sales

[www.ergotron.com](http://www.ergotron.com)  
[info.oem@ergotron.com](mailto:info.oem@ergotron.com)

## ERGOTRON®

While Ergotron, Inc. makes every effort to provide accurate and complete information on the installation and use of its products, it will not be held liable for any editorial errors or omissions (including those made in the process of translation from English to another language), or for incidental, special or consequential damages of any nature resulting from furnishing this instruction and performance of equipment in connection with this instruction. Ergotron, Inc. reserves the right to make changes in the product design and/or product documentation without notification to its users. For the most current product information, or to know if this document is available in languages other than those herein, please contact Ergotron. No part of this publication may be reproduced, stored in a retrieval system, or transmitted in any form or by any means, electronic, mechanical, photocopying, recording or otherwise without the prior written consent of Ergotron, Inc., 1181 Trapp Road, Eagan, Minnesota, 55121, USA. Patents Pending and Patented U.S. & Foreign. Ergotron is a registered trademark of Ergotron, Inc.

© 2015 Ergotron, Inc. All rights reserved.