

NEWera[®]

a heating revolution from Creda

Creda

TSR Supaslim Combi

Combined Storage and Fan Heater

Assembly Instruction

Manual

Automatic

Model Nos: 79348S 79358S 79368S

75772001S 75772002S 75772003S

Cat. Nos: TSR12CW TSR18CW TSR24CW

TSR12ACW TSR18ACW TSR24ACW



This appliance conforms to the following EEC Directives:
Low Voltage Equipment 73/23/EEC
93/68/EEC
Electromagnetic Compatibility 89/336/EEC
92/31/EEC
93/68/EEC

IMPORTANT NOTES: It is important to read these instructions carefully and also note the information given on the heater itself. As these particular instructions refer to the assembly and installation of a new heater, they should be retained by the installer; not left behind for the user as this would invite the dismantling and servicing by unqualified persons. FOR THE USER, there is a separate instruction leaflet explaining how the heater should best be operated. Please see that this leaflet is left with the heater for the user's purposes. THE HEATER MUST BE CONNECTED TO THE FIXED WIRING VIA A DOUBLE POLE ISOLATING SWITCH HAVING A CONTACT SEPARATION OF 3MM IN ALL POLES AND IN ACCORDANCE WITH THE I.E.E. REGULATIONS CURRENTLY IN FORCE AND IN ACCORDANCE WITH ANY LOCAL CODE OF PRACTICE, THE INSTALLATION SHOULD BE CARRIED OUT BY A COMPETENT ELECTRICIAN. CABLE HAVING A MINIMUM 'T' RATING OF 85°C MUST BE USED. Heaters forming part of a comprehensive space heating system should be wired with their own separate circuit, if however, 1 or 2 heaters are installed as a starter system these may be connected to a 30 amp ring main provided that the instructions below are observed, any further heaters installed must be connected by its own circuit. If connected to a 30 amp ring circuit the total rating of heaters connected must not exceed 3kW, where the circuit supplies a kitchen, or 4kW, where the circuit does not include a kitchen. The storage radiator is designed to run on cheap overnight electricity, therefore the means of connecting the heater to the ring main should include a timer. These should be connected to the supply with 3 core heat resistant cable, the size of which is dependant on heater loading i.e. loading up to 10 amps use 1mm", up to 13 amps use 1.5mm" and for the larger heaters 2.5mm" cable.

WARNINGS - THIS APPLIANCE MUST BE EARTHED - SPECIAL ATTENTION MUST BE PAID TO THE SECURITY OF THE HEATER'S WALL FIXINGS. THE HEATER MUST BE PLACED ON A LEVEL SURFACE AVOIDING ANY IRREGULARITIES. Two supplies are taken into this heater, both fan heater and storage heater circuits must be connected to the same phase of the electricity supply. IF, DURING ANY REASSEMBLY OF THE HEATER, A PART OF THE THERMAL INSULATION SHOWS DAMAGE OR DETERIORATION WHICH MAY IMPAIR SAFETY, IT SHOULD BE REPLACED BY AN IDENTICAL PART.

WALL FIXING: The heater must ALWAYS be mounted against, and fixed to a wall as it will not stand up by itself. A detachable bracket is provided for screwing to the wall, the heater is then placed in position and fixed to the bracket by a screw at each end. The heater must never be unscrewed or moved from the wall bracket whilst it is loaded with bricks. THE HEATER IS VERY HEAVY AND WILL BE DANGEROUS IF ITS WALL FIXING BECOMES INSECURE.

Solid Brick and Concrete Walls

No. 10 Rawlplug fibre inserts.
Drill hole of 5.5mm dia to a depth in the brick of 55mm

Panelled Wall, Paramount Board, Chipboard, Plasterboard, etc.

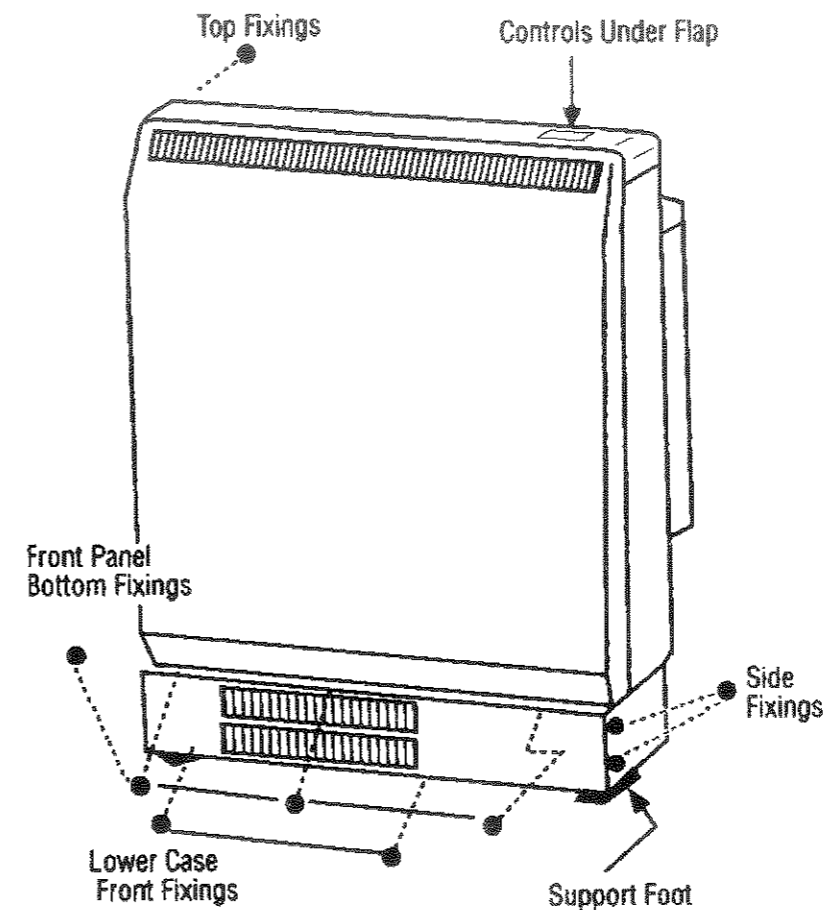
Check that the panel itself is adequately fixed to battens etc. Use Rawlplug M5 intersets; drill accurate 10mm dia holes in single skin plasterboard. One fixing should be in studwork.

Timber Frame

Seek specialist advice, some authorities suggest RAWLNUT

Hollow concrete, Breeze Block and Thermolite Block Walls

RAWLPLUG 'RAWLOK R6054R'. Some authorities suggest UNIFIX LB 70/10mm.
Use Drill for accurate hole, not hammer or chisel.



PLEASE DON'T TAKE CHANCES

Site conditions may vary considerably and Creda cannot recommend the correct wall fixings to be used. It is the responsibility of the installer to ensure that adequate permanent fixing has been achieved. Purely for guidance the suggested fixings are made for certain wall materials but this list is not comprehensive or authoritative. Different wall constructions will need different inserts. Note that inserts incorporating plastic may be subject to shrinkage behind a warm storage heater and are therefore not recommended.

Wall fixings can be obtained from local stockists

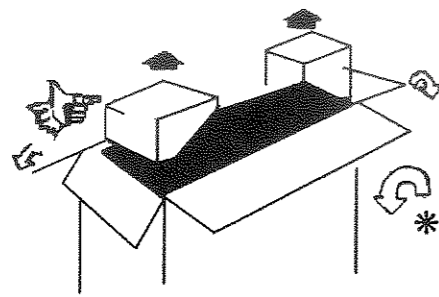
CARPETS: For safety, the heater must be positioned in the room so that there is at least 75mm (3") free air space all around it; under windows, ensure that curtains, when drawn, cannot touch or cover the heater casing. In order to maintain stability, it is essential that the heater be placed on a level surface and care should be taken to avoid irregular surfaces, such as may result from carpets or tiled surrounds partially protruding under the heater. The heater feet are designed to go underneath a carpet rather than standing on it; this permits the weight to be taken on a firm base. Carpet gripper should be removed from behind the heater feet.

BRICKS: The heater casing and the heater storage bricks with which it must be fitted, are delivered in separate packages. The brick is common to all heaters, packed in pairs.

The brick catalogue number is 791402015. 7934 and 75772001 models have 8 bricks. 7935 and 75772002 models have 12 bricks. 7936 and 75772003 have 16 bricks.

1

First, turn carton upside down
Open bottom flaps on carton
The corner fitments contain the fixing kit.



Stand the heater against the wall in its intended position.

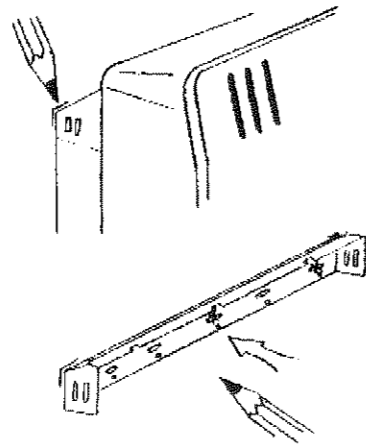
Mark the position of the two outside corners of the wall bracket.

Carefully place the heater aside, and remove the wall bracket from the heater by removing the screw at each end.

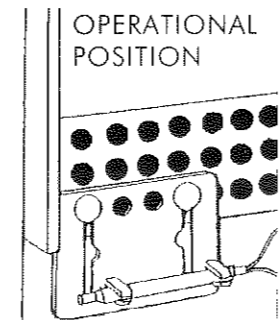
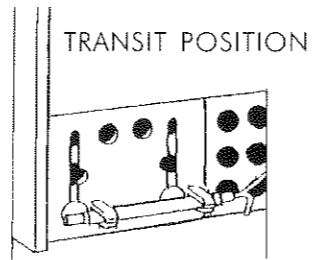
Reposition the bracket against the wall using the corner marks for alignment.

Mark through slots in bracket, two at the extreme ends and the others spaced evenly between them.

The slots are in groups, allowing mortar courses between bricks to be avoided, or battens, etc. to be found for the fixing holes.



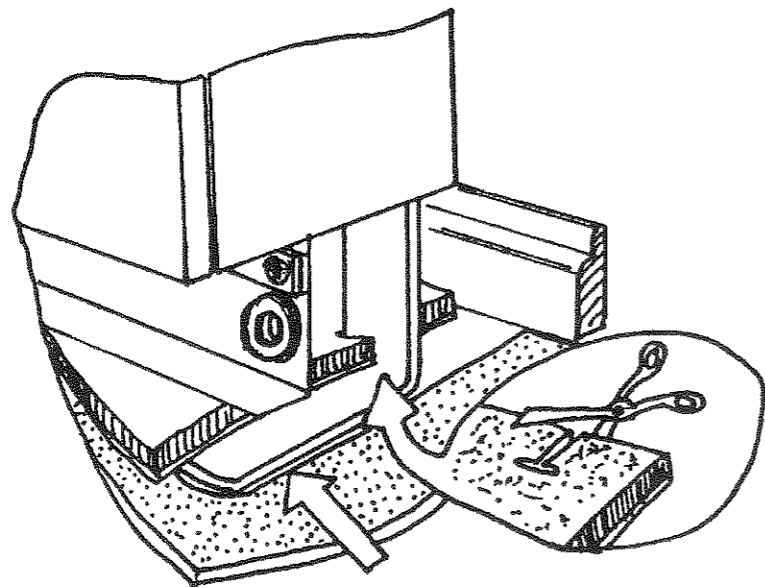
'ACW' Models Only - The Room Sensor is located at the rear of the right hand side of the heater. Carefully slide the sensor plate down from its transit position to its operational position.



2

CARPET FITTING

Cut the underlay and remove carpet gripper to clear feet, allowing heater weight to be taken on floor proper; lay carpet over feet, slitting it as shown above. It is unnecessary to cut carpet away.



3

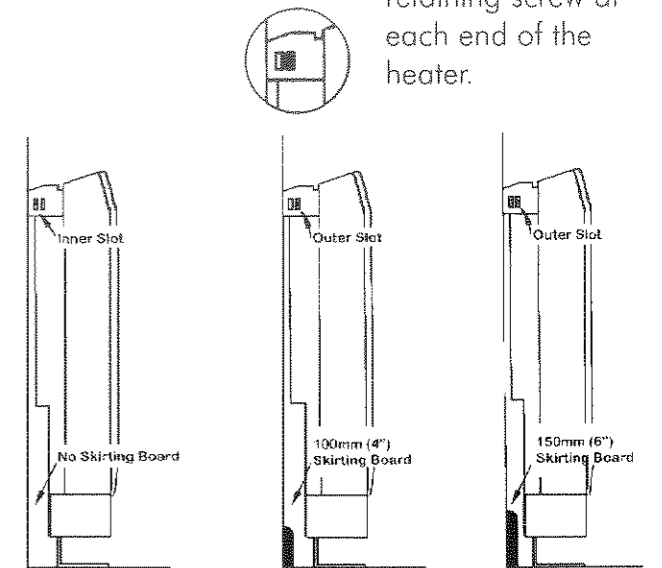
When bracket is securely fixed, replace the heater under the bracket angle and align screw holes on heaters ends. There are two fixing slots at each end of heater, allowing different stand-offs for different thicknesses of skirting board. Do not fully tighten these screws until the bricks are loaded into the heater as some settling of the heater may occur.

NOTE: NEVER REMOVE THESE SCREWS WITHOUT FIRST UNLOADING THE HEATER.

See also figure 2 regarding carpets where appropriate.

Note: Max. skirting size is 15 x 120mm.

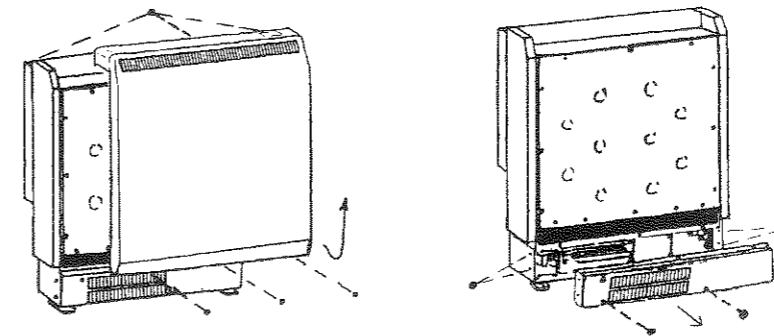
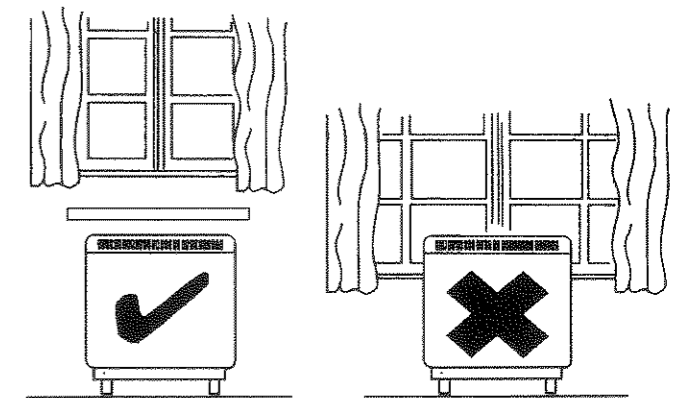
Note that the smallest wall spacing should be used only when the skirting board is of the modern slim type, or there is no skirting board at all. THE HEATER MUST STAND VERTICAL



You must fit a retaining screw at each end of the heater.

4

A clear space of at least 3" (75mm) must be left at either side of the heater, and any projections or shelves must be at least 10" (250mm) above the heater casing. Curtains must not be draped around or in contact with the casing. A shelf unit is separately available for fitting above heaters.



The top panel and front panel are joined and should be removed as one assembly. To do this, remove the screws fixing the rear flange of the top panel, and remove the screws along the bottom edge of the front panel. Carefully swing out bottom of front panel and lift assembly clear of casing, this operation also removes the control knobs under the flap.

5

Put assembly in a safe place to avoid damage to paint etc.

NOTE: Removal of the lower front panel is only possible after the top and main front panel assembly has been removed. First, remove the two black screws situated on the lower front face, then remove the four side screws. The lower front panel will then pull forward, clear of the heater.

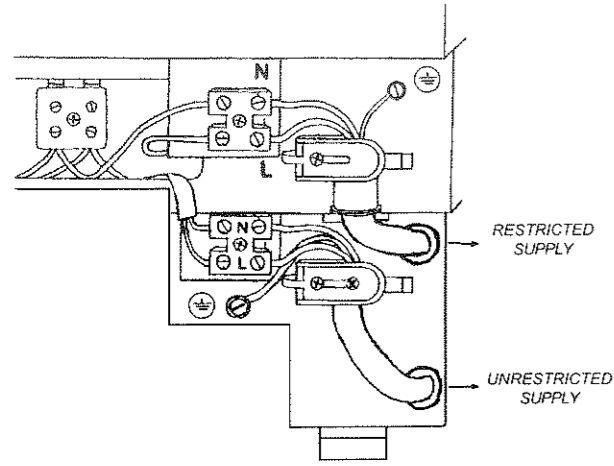
ENSURE THAT THE CABLES ARE NOT TRAPPED UNDER THE HEATER LEGS

6

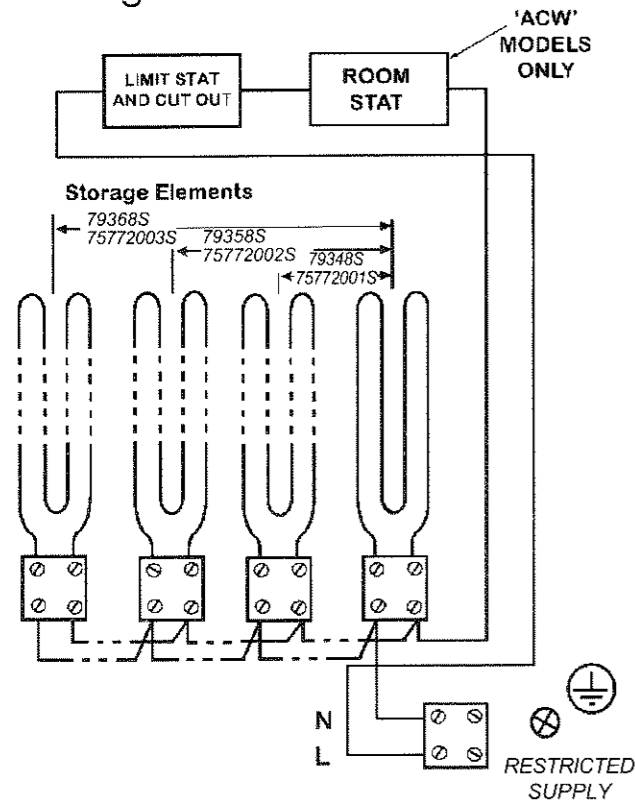
MAINS TERMINALS

IMPORTANT: For earthing, loosen the earth screws sufficiently to wrap the mains' earth wire around it between flat washer and cup washer, and retighten the earthing screw. Both restricted and unrestricted supply wires must be connected to their respective earthing points.

Feed the mains cable through the appropriate cable clamp and make connections as marked on the heater. Pull back any slack through the clamp and tighten clamping screw. If mains connection is to be made from the left hand side, at this point the mains lead must be secured to the base of the fan box by fixing the ties provided in the fixing kit through the holes along the rear of the fan box base.



Storage Heater Circuit

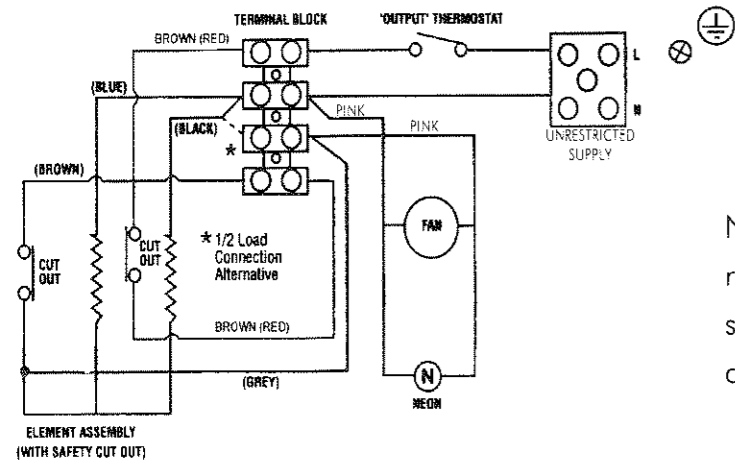


CONNECTING THE SUPPLIES

	Charge Period	Rated Charge
79348S & 75772001S	7 hours	12 kWh
79358S & 75772002S	7 hours	18 kWh
79368S & 75772003S	7 hours	24 kWh

NOTE: The fan heater element is factory set at full rating. If ° load rating only is required the installer should move the black wire as indicated in the circuit diagram.

Combi Fan Heater Circuit

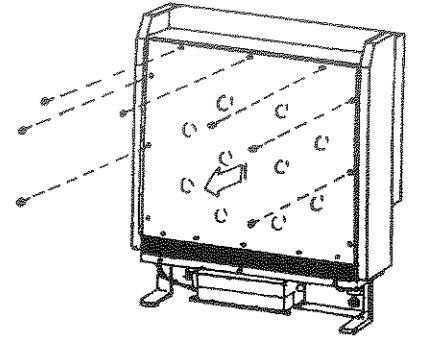


7

WARNING

Remove the inner front panel; this carries on it's inner face the front insulation slab. Handle this with care, the insulation must not be damaged.

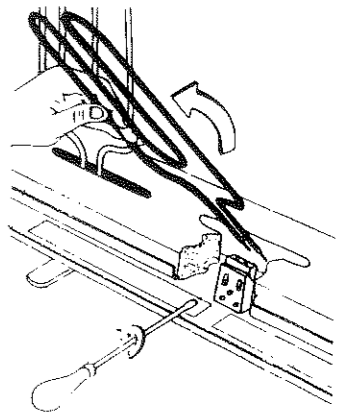
REMOVE ALL THE PACKING CARDBOARD FROM INSIDE THE STORAGE BRICK COMPARTMENT, IF LEFT INSIDE IT WILL BE SET ON FIRE WHEN THE HEATER IS SWITCHED ON. ENSURE THAT ALL PACKAGING MATERIAL IS REMOVED FROM THE BRICKS BEFORE FITTING THEM.



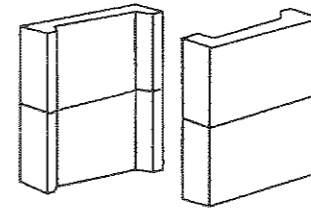
8

Temporarily remove one central element to provide access for the rear rank of bricks.

Loosen terminals on one of the elements and remove this to allow installation of rear rank of storage bricks. On heaters with 3 or 4 elements remove one of the central ones.

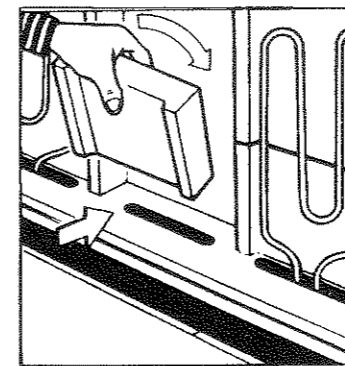


9



Note the way the bricks are positioned in the heater. Otherwise they will not fit.

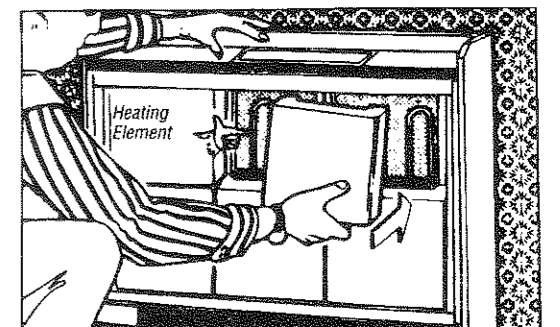
10



Put in place the rear rank of bricks, pushing them well back against the rear insulation. Replace the element, making sure that the connection is tight.

11

Now, place in position the front rank of bricks, again pushing them back to make room for the front insulation slab which is attached to the front panel.



12

Check that the front insulation slab is properly attached to the inner front panel and refit panel (insulation innermost) to the heater by locating its bottom edge behind the front lip of the chassis, and inserting retaining screws along the top and both sides. With the bricks pushed well back, as mentioned earlier, and the insulation properly aligned, there should be no bulging of this panel and no undue force necessary to fix it.

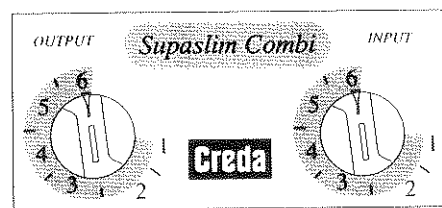
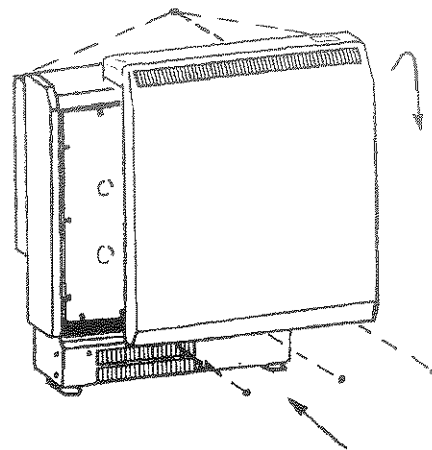
Refit the lower front panel by aligning the four side screws before refitting the front face screws. With the lower front panel in place, the outer panel assembly can be hooked over the rear panel top flange and the screws top and bottom replaced and tightened. Take care not to trap wires or the thermostat capillary between the panel flanges. Ensure all washers are replaced in their original positions.

Refit the control knobs under the lift - up flap, taking care to align the flat on each spindle.

PLEASE ENSURE THAT ALL POLYSTYRENE AND CARDBOARD PACKING PIECES HAVE BEEN REMOVED.

ENSURE WALL BRACKET SCREWS ARE TIGHTENED FULLY.

WARNING. When a new heater is run up to temperature, the materials will produce a slight smell for the first few days, these are normally harmless in a well ventilated room. It is best to make these first overnight charges with the 'Input' control knob at 'Maximum'. Caged birds, young children and people with chest ailments are best kept out of the room for this first period.



SETTING THE CONTROLS

The controls are located under the lockable flap at the right hand corner of the top panel. To adjust the controls on the heater use a coin and engage it in the slot provided on the top surface of the knob.

13

AUTOMATIC CHARGING DEVICE (AUTO-SET Fitted only on 'ACW' models) The Auto-Set Control rations the overnight charge each night by sensing the room temperature.

The knob is marked with the numbers 1 to 6, turning the knob to a lower number will reduce the charge consequently, the level of room warmth the next day.

Once set, the knob should need no further adjustment and the Auto-Set will maintain automatically the room warmth each day by varying the charge according to the weather.

1. Set the room temperature (output) control knob to setting 4.
2. Turn the Auto-Set Knob clockwise as far as it will go.
3. Leave the heater to run in this condition for two nights in order to quickly disperse the 'new' smell which although slight, is better removed once and for all.
4. Instruct the user to set the Auto-Set down to his chosen setting on the third day.

Instructions on this are given in the Users Guide which we ask you to ensure is left with the user.

MANUALLY ADJUSTED HEATER (without Auto-Set Control)

On this the user sets the overnight charge on the numbered knob marked 'Input'.

Setting up procedure;

1. Turn the 'Input' knob to maximum setting (6)
2. Set the 'Output' knob to setting No. 4.
3. Leave the heater to run in this condition for two nights in order to quickly disperse the new smell.
4. Instruct the user to set the 'Input' to his chosen setting on the third day. Instructions on this are given in the Users Guide which we ask you to ensure is left with the user.