

Crane

INSTRUCTION MANUAL

Tower Fan
MODEL# EE-5605



**PLEASE READ THESE AND SAVE ALL INSTRUCTIONS TO ENSURE THE
SAFE AND EFFECTIVE USE OF THIS APPLIANCE.**

TABLE OF CONTENTS

Table of Contents	P.1
Important Safety Instructions	P.2
General Safety Instructions	P.3
List of Main Parts, Tech. Specifications, Contents of Packaging	P.4
How to Assemble	P.5
How to Use	P.5-6
Maintenance, Service	P.7
Warranty Information	P.8
Warranty Card	P.10



IMPORTANT SAFETY INSTRUCTIONS

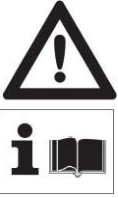
When using an electrical appliance, basic safety precautions should also be observed, including the following. **PLEASE READ AND SAVE ALL INSTRUCTION BEFORE USING THE TOWER FAN.**

1. Always turn the fan off before removing the plug from the outlet. NEVER PLUG OR UNPLUG UNIT WITH WET HANDS.
2. Always turn the fan off and unplug it immediately after using and before cleaning.
3. To protect against electrical hazards, do not place the fan in water or other liquids. Do not allow the fan to become wet or damp.
4. Do not store the fan where it can fall into water or other liquids.
5. Do not store the fan unattended when it is plugged in. Turn the fan off when leaving it for an extended period.
6. Use the fan only for its intended use as described in these operating instructions.
7. Do not operate any appliance if its cord or plug is damaged or after the appliance has malfunctioned, or after it has been dropped or damaged in any way. Always follow the warranty instructions.
8. Place fan on a flat, level surface to avoid it overturning.
9. Avoid contact with moving parts.
10. Never drop or insert any object into any opening. Do not insert any objects into the area protected by wire guards.
11. Do not obstruct the airflow.
12. Do not operate the fan without the guard.
13. Close supervision is necessary when any appliance is operated near children.

WARNING: To reduce the risk of fire or electrical shock, do not use this fan with any solid –state speed control device

SAVE THESE INSTRUCTIONS

GENERAL SAFETY INSTRUCTIONS



WARNING! Read and understand all instructions. Failure to follow all instructions listed below may result in electric shock, fire or serious personal injury. The warnings, cautions, and instruction discussed in this instruction manual cannot cover all possible conditions and situations that may occur. It must be understood by the operator that common sense and caution are a factor which cannot be built into this product, but must be supplied by the operator.

SAVE ALL INSTRUCTIONS!

CAUTION: A short power supply cord is provided to reduce the risk of personal injury resulting from becoming entangled in or tripping over a longer cord. Extension cords are available from local hardware stores and may be used if care is exercised in their use. If an extension cord is required, special care and caution is necessary. Also the cord must be: (1) marked with an electrical rating of 125 V and at least 13 A., 1625 W., and (2) the cord must be arranged so that it will not drape over the countertop or tabletop where it can be pulled on by children or tripped over accidentally.

ELECTRIC POWER

If electric circuit is overloaded with other appliances, your appliances may not operate properly. The appliances should be operated on a separate electrical circuit from other operating appliances.

POLARIZED PLUG

This appliance has a polarized plug (one blade is wider than the other). As a safety feature to reduce the risk of electrical shock, this plug is intended to fit in a polarized outlet only one way. If the plug does not fit fully in the outlet, reverse the plug. If it still does not fit, contact a qualified electrician. Do not attempt to defeat this safety feature.



SAFETY WARNING

Although your appliance is easy to operate, for your safety, the below warnings must be followed:

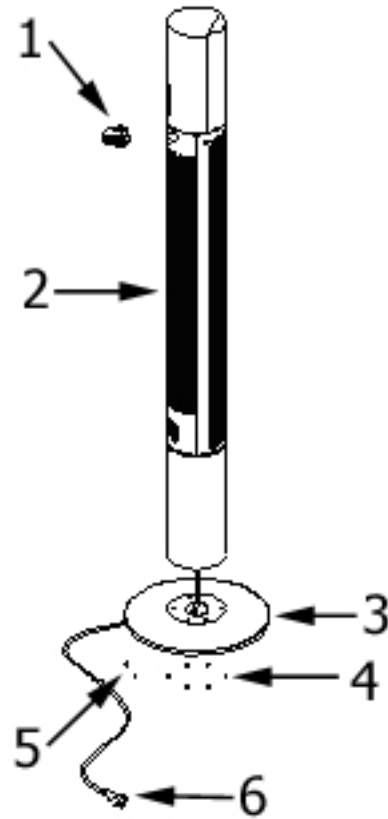
1. Do not place the appliance near a heat source.
2. Use the appliance on a stable surface.
3. Do not unplug by pulling on the supply cord.
4. The appliance must be unplugged:
 - A. Before any cleaning or maintenance
 - B. If it appears to be faulty

THIS PRODUCT IS INTENDED FOR HOUSEHOLD USE ONLY.

SAVE THESE INSTRUCTIONS

LIST OF MAIN PARTS

1. Remote Controller
2. Main Body
3. Base
4. 6 x Base Screw
5. 2 x Clamp Screw
6. Power Cord & Plug



TECHNICAL SPECIFICATIONS

Model Number	EE-5605
Rating Voltage	120VAC 60Hz
Rated Wattage	40W

CONTENTS OF PACKAGING

- a. Instruction Manual
- b. Tower Fan main body
- c. Base
- d. 6 x Base Screws
- e. 2 x Clamp Screws

If any of the above items are missing, please contact our service department at 1-888-599-0992 (<http://www.crane-usa.com>) for replacement. Business hours Mon-Fri 9:00am-4:00 pm CT.

HOW TO ASSEMBLE

NOTE: Refer to LIST OF MAIN PARTS on page 4.

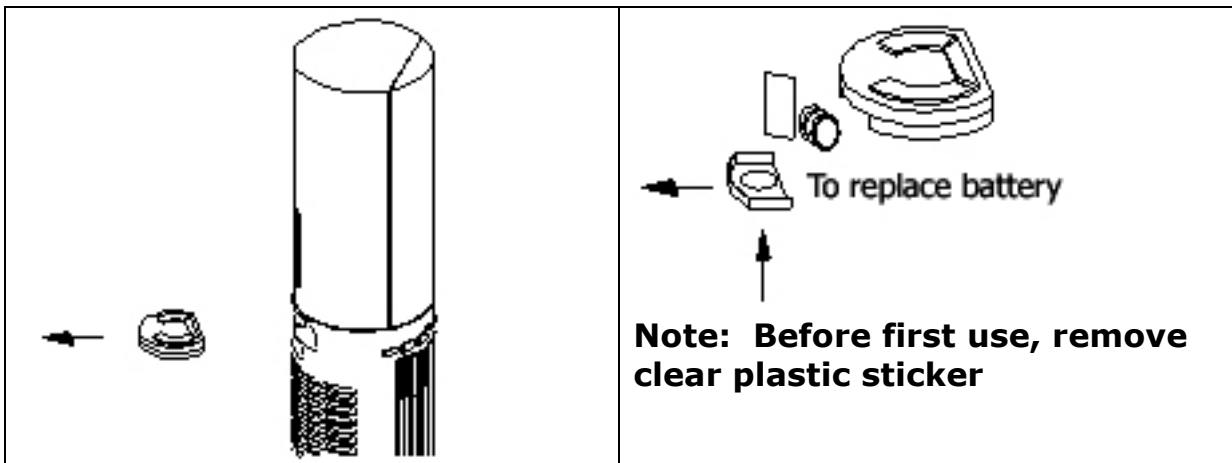
1. Lay the main body of the fan gently on the floor, take the base (3) and place power cord (6) in the cord groove.
2. Attach the fan body and the base by tightening the base screws (4) with a screwdriver.
3. Secure power cord (6) to base (3) with clamp screws (5).

HOW TO USE

How to Locate the Remote Controller

IMPORTANT: Remove the clear plastic sticker that is visible at the bottom of the remote controller (see drawing below).

The remote controller can be removed from remote controller holder, at the back of the tower fan near the top (see drawing below).



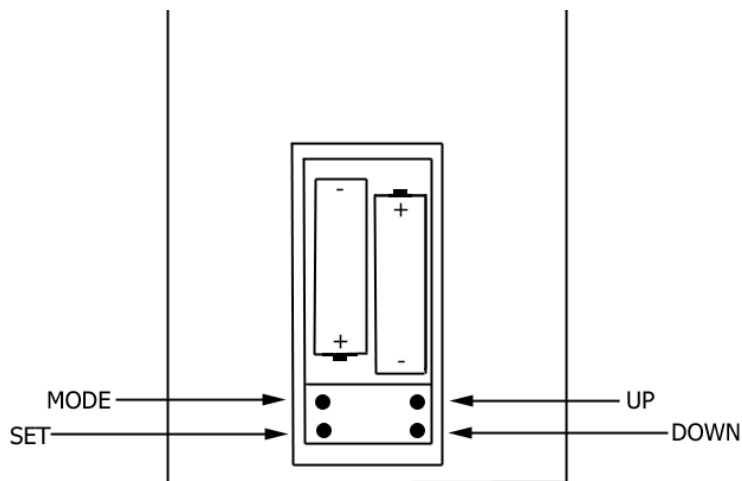
How to Operate Tower Fan Control Buttons

On - Green Light Off - Light Off		To start or stop the fan
Low speed - Red Mid speed - Orange High speed -Green		To adjust the Speed Level of the fan, press fan speed button (low / medium / high).
On -Green light Off - Light off		To start or stop the oscillation of fan
On -Green light Off - Light off		To switch the LED light on or off for the clock
2 hours - Red 4 Hours - Orange 8 hours - Green Off - Light off		To set the timer level: 2 / 4 / 8 hours

Operating Instructions for Digital Display

Read and understand the following steps before you attempt to set the digital display.

NOTE: To set clock, date, and day a fine point will be needed to insert into the small circle buttons below the batteries inside the battery compartment (i.e. pen tip). See drawing below.



Open the battery compartment gently.

Place 2 AA batteries into the compartment in the appropriate polarity directions

Note: The batteries supply power to the digital display. If the batteries are removed the digital display will reset.

Setting Clock

Press "MODE" button (12hr will appear on digital display).

Use the "UP" or "DOWN" button to select 12hr (standard time) or 24hr (military time).

Press "SET" button (the hour will begin to flash on the digital display).

Use the "UP" or "DOWN" button to select the desired hour.

Press "SET" button (the minutes will begin to flash on the digital display).

Use the "UP" or "DOWN" button to select the desired minutes.

Setting Year

Press "SET" button. (the year will begin to flash on the digital display).

Use the "UP" or "DOWN" button to select the desired year.

Setting Month

Press "SET" button (the month will begin to flash on the digital display).

Use the "UP" or "DOWN" button to select the desired month.

Setting Day

Press "SET" button (the day will begin to flash on the digital display).

Use the "UP" or "DOWN" button to select the day.

When all settings are complete press "MODE" button 4 times (the time, date, and day you just set will appear on the digital display).

To select Fahrenheit and Celsius

Temperature conversion: press "SET" to convert between Celsius and Fahrenheit.



MAINTENANCE

CAUTION:

Always be sure that the appliance is switched OFF before cleaning the appliance or attempting to store the item.

Before cleaning, turn the fan off and unplug from electrical outlet. Wipe off excess dust with a lint free cloth. A vacuum cleaner hose can be used to clean this area if desired. Should the fan housing become soiled, it can be cleaned with warm (not hot) soapy, mild detergent solution. Wipe dry. Do not submerge your fan in water or any other liquid. Do not allow any liquid to get into the fan guards or motor

Please Note:

Take care not to stain the plastic parts with oil. Avoid using in places where oil is liable to spill on fan. Damage deterioration is always caused by oil sticking.

STORING

Store the appliance in a dry location. Do not place any heavy items on top of appliance during storage as this may result in possible damage of appliance.

SERVICE CENTER

If you have any question in regards to the operation of this appliance or are in need of a spare part please contact our service center at:

Crane USA Inc.
Tel: 1-888-599-0992
(Business hours Mon-Fri 9:00am - 4:00pm CT)
Website: <http://www.crane-usa.com>



ENVIRONMENTAL PROTECTION

If the appliance should no longer work at all, please make sure that it is disposed in an environmentally friendly way. Please do not put it with your household waste.

LIMITED WARRANTY

Thank you for purchasing a top quality **Crane** product. This Tower Fan was tested and meets our stringent quality standards. This product is warranted to be free from manufacturing defects under normal use and conditions for 1 year.

In case you find this product to have a manufacturing defect please proceed as follows:

- A. Within 90 days of purchase: return the product to your retailer for a replacement or a refund.
- B. After 90 days and within the warranty period: send the product and all of it's accessories to our service center. The consumer will be responsible for all shipping costs to the Crane Service Center. Crane will not assume responsibility for loss or damages to the product being returned to us. To avoid transport damages carefully package the product and insure it with the carrier. Be sure to fill out the warranty card and include it with a copy of the dated sales receipt. In return you will receive your repaired item, or a new product at the service center's discretion.

WARRANTY IS ONLY VALID WITH A DATED PROOF OF PURCHASE.

The warranty is void if the defect is due to accidental damage, misuse, abuse, neglect, improper repair or alteration by unauthorized persons or failure to follow operation instructions provided with the product. This warranty does not apply to normal wear and tear, as well as commercial use.

The warranty is non-transferable and applies only to the original purchase and does not extend to subsequent owners of the product. Liability under this warranty is limited to repair, or replacement. In no event shall liability exceed the purchase price paid by the purchaser of the product. Under no circumstances shall there be liability for any loss, direct, indirect, incidental, special or consequential damage arising out of in connection with use of this product.

This warranty is only valid in the 48 contiguous states plus the District of Columbia. Excluding Alaska, Hawaii, Puerto Rico, and the Virgin Islands. This warranty is effective only if the product is purchase and operated in the United States of America.

This Warranty gives you specific legal rights. However you may have other rights that vary from state to state. Some states do not allow limitation on implied warranties or exclusion of consequential damages therefore these restrictions may not apply to you.

Any instruction or warranty included in this manual may be subject to change without notice. For the most up to date set of instructions and warranty please contact us or visit our web site.

Crane USA Inc.

Tel: 1-888-599-0992 (Business Hours Mon-Fri 9:00am-4:00 pm CT)

Website: <http://www.crane-usa.com>

1800 Nicholas Blvd

Elk Grove Village, Illinois 60007

WARRANTY CARD



Tower Fan

In case you find this product to be defective please proceed as follows:

- A. Within 90 days of purchase: return the product to your retailer for a replacement or a refund.
- B. After 90 days and within the warranty period: send the product and all of it's accessories to our service center. The consumer will be responsible for all shipping costs to the Crane Service Center. Crane will not assume responsibility for loss or damages to the product being returned to us. To avoid transport damages carefully package the product and insure it with the carrier. Be sure to fill out the warranty card and include it with a copy of the dated sales receipt. In return you will receive your repaired item, or a new product at the service center's discretion.

This Tower Fan was tested and meets our stringent quality standards. This product is warranted to be free from manufacturing defects in original materials, including original parts, and workmanship for 1 year with proof of purchase.

Please print clearly and fill in your details below. Send it together with the product and purchase receipt. Please read the Limited Warranty conditions mentioned in this instruction manual.

Customer Name	
Street	
City	
State	
ZIP Code	
Phone #	
Model #/Style	
Purchase Date	
Description of Defect :	

Service Center Address:

Crane USA Inc.

1800 Nicholas Blvd Elk Grove Village, Illinois 60007

Tel: 1-888-599-0992 (Business Hours Mon-Fri 9:00am-4:00 pm

CT)Website: <http://www.crane-usa.com>

PLEASE DETACH THIS SECTION AND RETURN IT WITH YOUR PRODUCT

WARRANTY CARD

