



## PANEL FANS

*better* AIRFLOW  
*by* DESIGN™



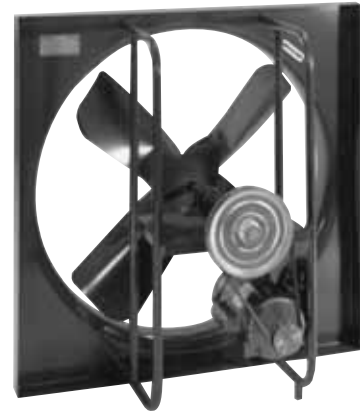
### WEB BELT DRIVE PANEL FANS

- Fans shipped fully assembled
- Heavy duty 16 Ga. steel venturi with tubular steel bracing
- Industrial grade gray enamel finish
- Steel blade impeller with sealed pillow block shaft bearings
- Permanently lubricated ball bearing motor
- Single or three phase continuous duty motor
- Sizes range from 24" to 60"
- Belt drive capacities to 39,000 cfm

# WEB BELT DRIVE PANEL FANS

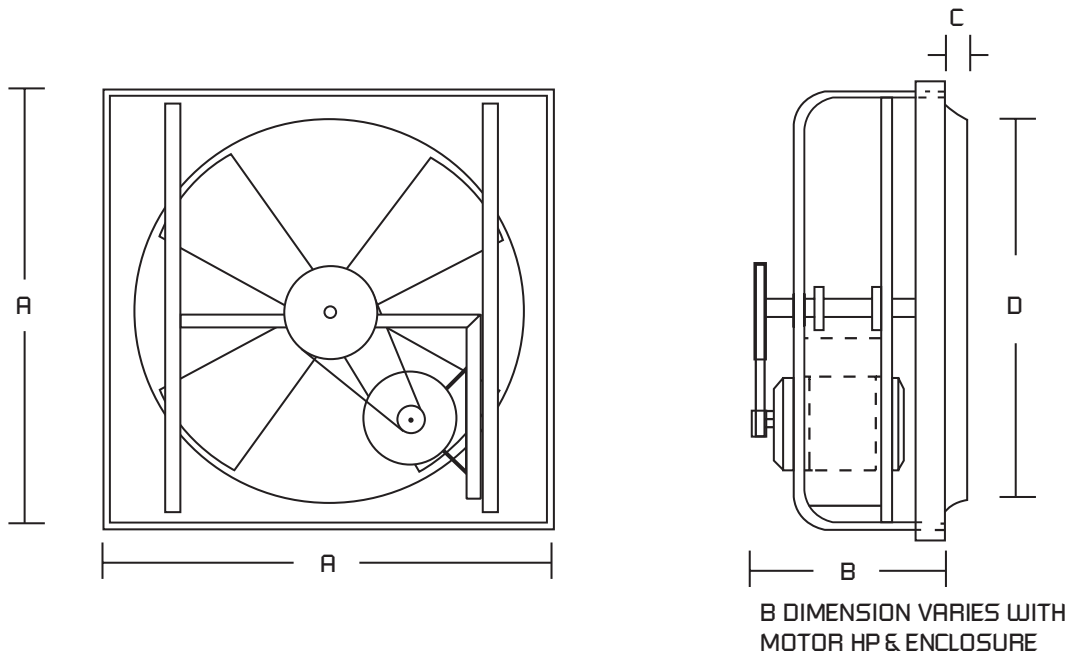
## FEATURES & BENEFITS

- Shipped fully assembled, tested and ready to install
- Heavy duty 16 Ga. steel venturi with tubular steel bracing
- Industrial grade gray enamel finish
- Steel blade impeller
- Permanently lubricated drive shaft bearings
- Permanently lubricated ball bearing motor
- Single or three phase continuous duty motor
- Sizes range from 24" to 60"
- Belt drive capacities to 39,000 cfm
- Available in the following voltages:
  - o 115/230V 1 phase
  - o 230/460V 3 phase
  - o 575V 3 phase



## ACCESSORIES / OPTIONS

- MSRG option includes:
  - o Mounting box
  - o Discharge shutter
  - o Rear box guard kit



MODEL	DIMENSIONS IN INCHES*				WT (LBS) LESS MTR	WT (LBS) WITH MTR
	A	B	C	D		
WEB-24	30	18	3.5	25	60	90
WEB-30	36	18	3.5	31	70	115
WEB-36	42	20	4.0	37	115	165
WEB-42	48	20	4.3	43	160	225
WEB-48	54	22	4.3	49	200	280
WEB-60	66	28	5.0	61	260	350

\*DO NOT USE FOR CONSTRUCTION

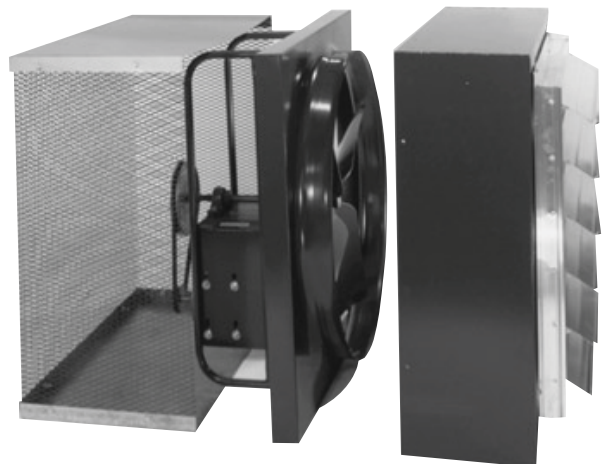
CONSULT FACTORY FOR CERTIFIED PRINTS

# WEB BELT DRIVE PANEL FANS

MODEL	RPM	MTR HP	PERFORMANCE				
			0" S.P. CFM	0.125" S.P. CFM	0.25" S.P. CFM	0.50" S.P. CFM	0.75" S.P. CFM
WEB-24-13	825	0.33	5300	4700	3800	2200	1400
WEB-24-12	925	0.50	6200	5700	5000	4000	2600
WEB-24-34	1050	0.75	7000	6600	6000	4400	3000
WEB-24-01	1175	1	7800	7400	6900	5700	3500
WEB-30-13	570	0.33	7500	6000	3400	700	-
WEB-30-12	625	0.50	8500	7100	4400	2700	1300
WEB-30-34	725	0.75	10000	9100	7600	5100	1800
WEB-30-01	825	1	11000	10400	9300	5500	2800
WEB-36-13	425	0.33	9000	6800	3500	500	-
WEB-36-12	500	0.50	10500	8800	5900	3600	2000
WEB-36-34	575	0.75	11900	10500	8500	5500	4000
WEB-36-01	650	1	13100	11800	10200	6900	5000
WEB-36-32	750	1.50	15000	13500	12500	8500	5500
WEB-36-02	830	2	16500	15500	14500	11000	7000
WEB-42-34	430	0.75	14000	11500	7600	4800	3300
WEB-42-01	490	1	15400	13100	10400	6400	4600
WEB-42-32	550	1.50	17200	15300	12400	7900	5300
WEB-42-02	620	2	19400	17500	15600	9700	6000
WEB-42-03	700	3	22000	20500	19000	15000	8000
WEB-48-34	350	0.75	17000	12000	7000	2000	-
WEB-48-01	400	1	19100	16000	10900	6400	4000
WEB-48-32	460	1.50	22000	19000	14000	10000	6000
WEB-48-02	520	2	24000	22000	18000	12000	7500
WEB-48-03	590	3	27500	25000	22500	16000	9000
WEB-48-05	660	5	30500	28500	26000	21000	13000
WEB-60-02	320	2	31000	26000	16000	7000	-
WEB-60-03	370	3	35000	31000	23000	11000	-
WEB-60-05	420	5	39000	35000	29000	18000	-

## MSRG – MOUNTING BOX, SHUTTER & REAR GUARD BOX KIT

- Available in 24"-60" sizes
- Heavy gauge fan & shutter mounting box
- Fully mounted discharge shutter
- Full rear box guard kit (assembly required)



## **Industrial Fan Division**

The Industrial Fan Division offers superbly crafted industrial fans and ventilators, expertly supported by a network of independent manufacturers' representatives.



*Panel Fans*

*Centrifugal Fans*

*Flange Fans*

*In-line Fans*

*Roof Ventilators*

*Iris Dampers*

## **OEM Fan Division**

The OEM Fan Division works closely with original equipment manufacturers to meet their design requirements, offering in-stock fan components, 3D models and custom fan solutions.



*Cabinet Cooling Fans*

*Motorized Axials*

*Motorized Impellers*

*Centrifugal Fans*

*Axial Impellers*

*Centrifugal Impellers*

## **Wholesale Products Division**

The Wholesale Products Division offers a superior line of in-stock commercial and residential ventilation products, available from wholesalers and distributors across North America.



*Bathroom Fans*

*Air Purification Systems*

*In-Line Duct Fans*

*External Mount Fans*

*Radial Blade Blowers*

*Exhaust Fans*

**USA**

[www.continentalfan.com](http://www.continentalfan.com)

Continental Fan Manufacturing Inc.  
203 Eggert Road, Buffalo, NY 14215  
Tel: (716) 842 0670 Fax: (716) 842 0611

**Canada**

[www.aeroflo.com](http://www.aeroflo.com)

Aeroflo Inc.  
12-205 Matheson Blvd. E., Mississauga, ON L4Z 3E3  
Tel: (905) 890 6192 Fax: (905) 890 6193

**WEB BELT DRIVE PANEL FANS**



WEB-0807