



## COOLING FANS

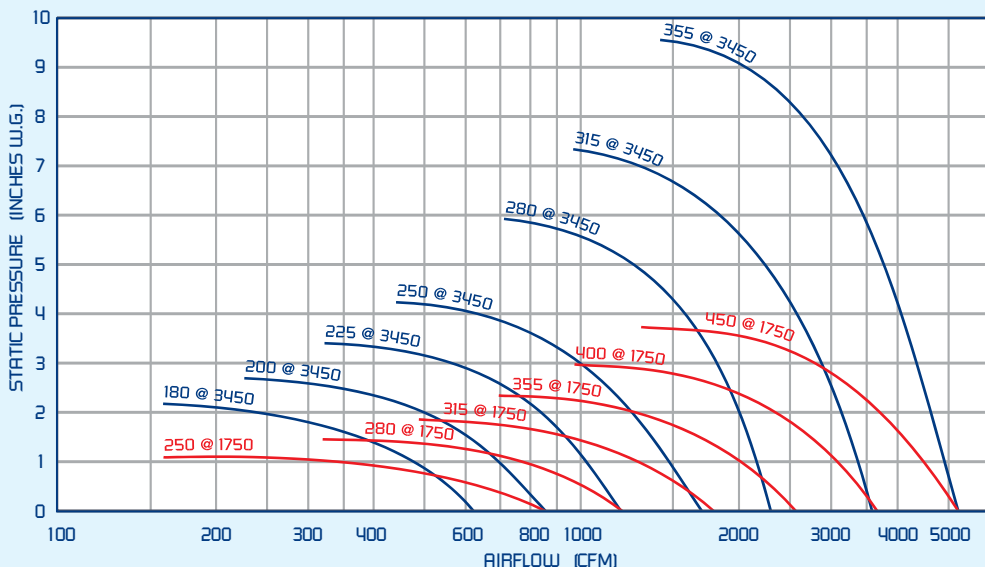
*better* AIRFLOW  
*by* DESIGN™



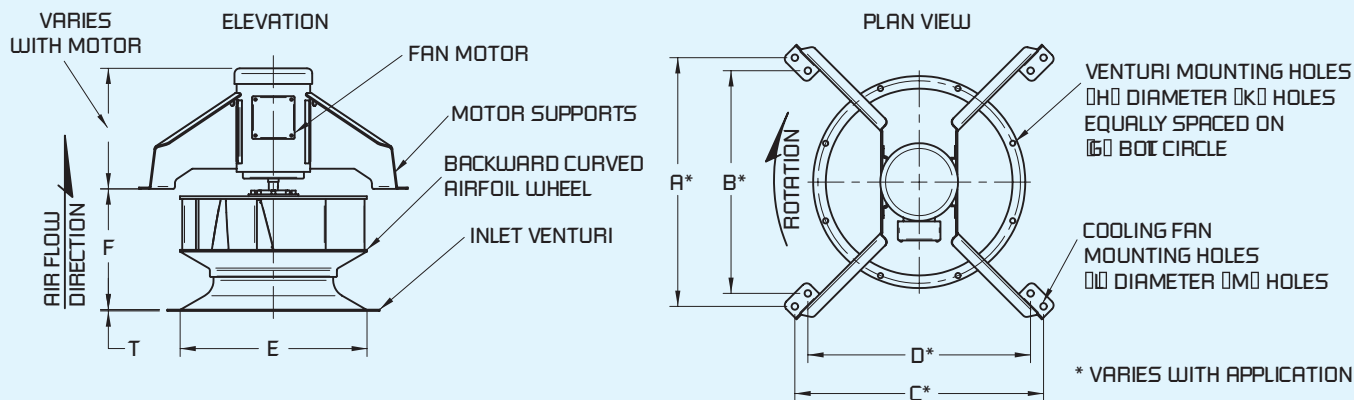
### TNC CENTRIFUGAL FAN

- Exceptionally quiet, rapid heat dissipation
- Ideal for electronic cabinet cooling
- High pressure capability
- Highly efficient airfoil 'TEK' impellers
- Non-overloading power characteristics
- Custom mounting arrangements available
- Standard NEMA motors
- 9 sizes available; capacities to 5000 cfm

60 Hz DIRECT DRIVE PERFORMANCE



MOTOR CHART			
MODEL	RPM	HP	FRAME
TNC180-2	3500	0.25	56L
TNC200-2	3500	0.25	56L
TNC225-2	3500	0.50	56L
TNC250-4	1750	0.25	56L
TNC250-2	3500	0.75	56L
TNC280-4	1750	0.25	56L
TNC280-2	3500	1.50	143T
TNC315-4	1750	0.50	56L
TNC315-2	3500	3.00	182T
TNC355-4	1750	0.75	56L
TNC355-2	3500	5.00	184T
TNC400-4	1750	1.50	145T
TNC450-4	1750	2.00	145T



DIMENSIONS IN INCHES*													
MODEL	A	B	C	D	E	F	G	H	K	L	M	T	
TNC180-2	14.8	-	15.5	-	7.2	6.5	8.0	0.4	6	0.4	4	0.09	
TNC200-2	14.8	-	15.5	-	8.0	7.0	9.1	0.4	6	0.4	4	0.09	
TNC225-2	14.8	-	15.5	-	8.9	7.8	10.1	0.4	6	0.4	4	0.09	
TNC250-4	14.8	-	15.5	-	10.0	8.5	11.1	0.4	6	0.4	4	0.12	
TNC250-2	14.8	-	15.5	-	10.0	8.5	11.1	0.4	6	0.4	4	0.12	
TNC280-4	14.8	-	15.5	-	11.2	9.0	12.6	0.4	6	0.4	4	0.12	
TNC280-2	14.8	-	15.5	-	11.2	9.0	12.6	0.4	6	0.4	4	0.12	
TNC315-4	14.8	-	15.5	-	12.6	9.8	14.0	0.4	6	0.4	4	0.12	
TNC315-2	23.7	21.2	23.7	21.2	14.6	10.5	14.0	0.5	6	0.6	8	0.12	
TNC355-4	14.8	-	15.5	-	14.2	11.0	15.6	0.4	8	0.4	4	0.12	
TNC355-2	23.7	21.2	23.7	21.2	14.2	11.5	15.6	0.5	8	0.6	8	0.12	
TNC400-4	23.7	21.2	23.7	21.2	16.0	10.6	17.3	0.5	8	0.6	8	0.17	
TNC450-4	23.7	21.2	23.7	21.2	17.3	11.5	19.3	0.5	8	0.6	8	0.17	

\*DO NOT USE FOR CONSTRUCTION

CONSULT FACTORY FOR CERTIFIED PRINTS



USA [www.continentalfan.com](http://www.continentalfan.com)

Canada [www.aeroflo.com](http://www.aeroflo.com)

Continental Fan Manufacturing Inc.  
203 Eggert Road  
Buffalo, New York 14215  
Tel: (800) 779 4021 Fax: (716) 842 0611

Aeroflo Inc.  
12-205 Matheson Blvd. East  
Mississauga, Ontario L4Z 3E3  
Tel: (905) 890 6192 Fax: (905) 890 6193