

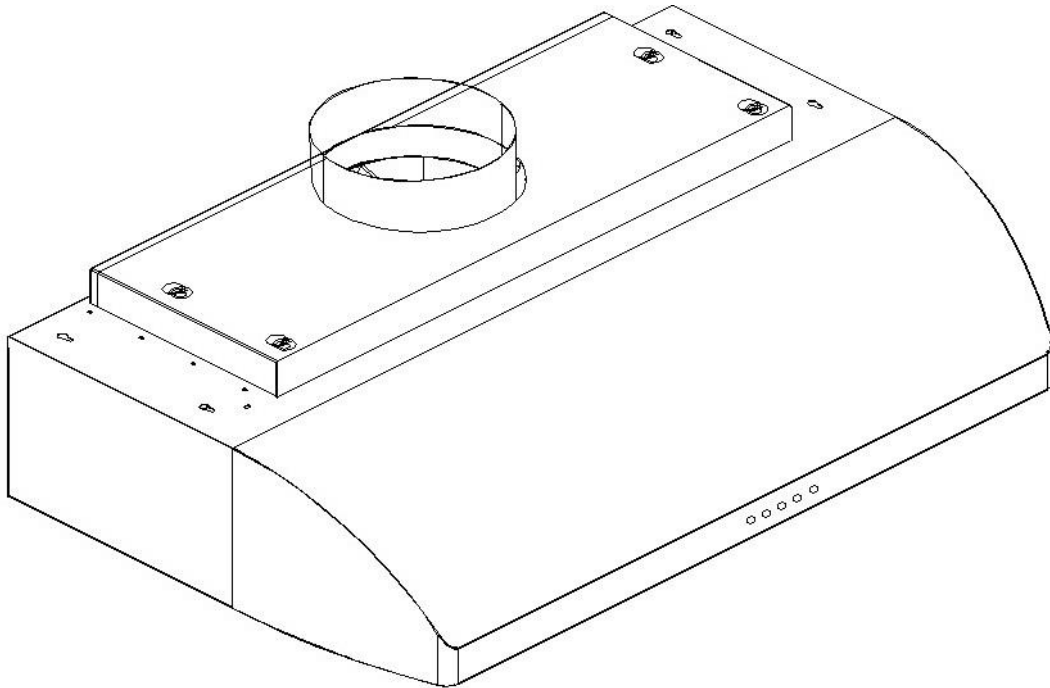
# XtremeAIR®

*The Advanced Range Hoods*

## INSTALLATION GUIDE & USER'S MANUAL

### **UNDER CABINET RANGE HOOD**

Ultra Series: UL14- U30 & UL14-U36



**IMPORTANT: READ AND SAVE THESE INSTRUCTIONS**

**FOR RESIDENTIAL & INDOOR USE ONLY**

## TABLE OF CONTENTS

1	IMPORTANT SAFETY INSTRUCTIONS.....	2
2	HEIGHT & CLEARANCE .....	3
3	VENTING REQUIREMENT .....	3
4	VENTING METHODS .....	3
5	ELECTRICAL REQUIREMENT .....	3
6	TOOLS YOU WILL NEED.....	3
7	PARTS SUPPLIED.....	4
8	DIMENSIONS .....	4
9	INSTALLATION.....	4-5
10	RANGE HOOD OPERATION.....	6
11	SPECIFICATION.....	6
12	TROUBLE SHOOTING .....	6-7
13	USE & CARE INFORMATION .....	7
14	MAINTENANCE .....	7
15	PRODUCT WARRANTY .....	8

CAUTION

### 1. IMPORTANT SAFETY INSTRUCTIONS

**IMPORTANT NOTICE:** The Important Safety Instructions and warnings in this manual are not meant to cover all possible problems and/or situations that can occur upon installation of this unit. Use extreme caution when installing, maintaining or operating this or any other appliance. Contact the XtremeAir USA, LLC, Customer Support Team at 1.714.554.9000 or email: [support@XtremeAirUsa.com](mailto:support@XtremeAirUsa.com) with any concerns or situations that you do not understand. **The manufacturer disclaims all liability for any damage or injury caused as a result of not following instructions for installation contained in this manual.**



## DANGER

To avoid the possibility of an explosion or fire, **do not** store or use combustible, flammable or explosive vapors and liquids (such as gasoline) inside or in the vicinity of this or any other appliance. Keep all combustible items (such as aerosol cans) away from cook top burners, ovens and range hoods. Do not store flammable or explosive materials in adjacent cabinets or surrounding areas.

**Disclaimer:** *The manufacturer and/or distributor/reseller decline all responsibility in the event of failure to observe the instructions provided for installation, maintenance and suitable use of the product. The manufacturer and/or distributor/reseller shall NOT be responsible for any injury due to negligence and the warranty of the unit shall automatically be voided due to failure to observe proper safety and installation procedures. The manufacturer and/or distributor/reseller will not be held responsible for any damages to personal property or real estate or any bodily injuries whether caused directly or indirectly by the range hood.*

#### **WARNING - TO REDUCE THE RISK OF FIRE, ELECTRIC SHOCK, OR INJURY TO PERSONS, OBSERVE THE FOLLOWING:**

\*Use this unit only in the manner intended by the manufacturer. If you have questions, contact the manufacturer.

**PRODUCT:** Do not remove permanently affixed labels, warnings or plates from the product. This may void the warranty. Do not try to alter the hood.

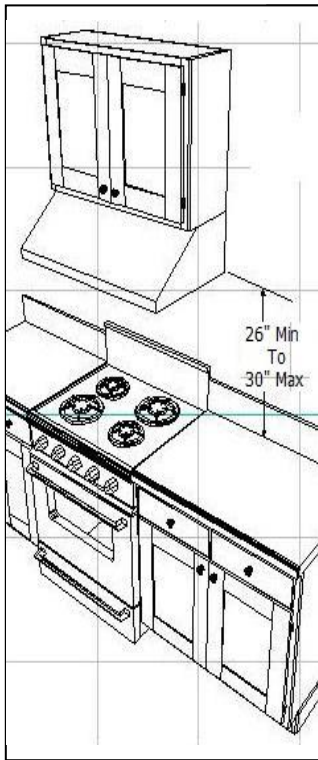
**INSTALLATION:** The installation in this manual is intended for qualified installers, service technicians or persons with a similar qualified background. Installation and electrical wiring must be provided by qualified professionals and in accordance with all applicable codes and standards, including fire-related construction. When cutting or drilling into the wall or ceiling; do not damage electrical wiring and other utilities. It is recommended that two or more people assist with the installation. The range hood may have very sharp edges; please wear protective gloves if it is necessary to remove any parts for installing, cleaning or servicing.

**VENTING:** For kitchen range or cook top ventilating use only. **DO NOT** use units to exhaust hazardous or explosive materials and vapors. Ducted fans **MUST** always be vented to the outdoors. **DO NOT** vent exhaust into spaces between walls, crawl spaces, ceiling, attics and/or garages. Use only metal ductwork. Old duct work should be cleaned or replaced if necessary to avoid the possibility grease fires. Check all joints on ductwork to insure proper connections. All joints should be properly taped.

**ELECTRICAL:** All electrical wiring must be properly installed, insulated and grounded. **TURN POWER OFF** and un-plug cords from outlet before servicing and/or cleaning to insure your safety.

**OPERATION:** Caution is suggested when using high settings on cooking range. Keep all fan, baffle, spaces, filter, grease tunnel, oil container and grease-laden surfaces clean. Grease should not be allowed to accumulate on fan, baffle, spaces, filter, grease tunnel, and oil container. Never allow the filters to become blocked or clogged. Do not allow foreign objects such as cigarettes and/or napkins, to be absorbed into the hood. Clean ventilating fans frequently. Grease should not be allowed to accumulate on the fan or filters.

## 2. HEIGHT & CLEARANCE



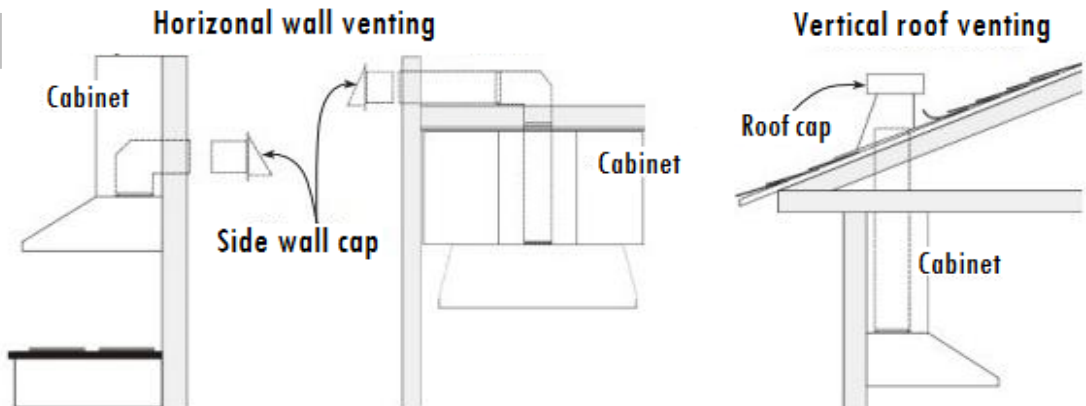
### IMPORTANT:

- NEVER exhaust air or terminate ductwork into crawl spaces, between walls, ceiling, attics or garages. **All exhaust must be ducted to the outside.**
- Hood mounted too low could result in heat and/or fire hazard. Hoods mounted too high will be hard to reach and will lose its performance and efficiency.
- **Use metal ductwork only.**
- **DO NOT use plastic ventilation.**
- **DO NOT use 4" (10.2 cm) laundry-type wall caps.**
- Fasten all connections with sheet metal screws. Tape all joints with aluminum tape.
- Use caulking to seal exterior wall or roof openings around the cap.
- The ventilation system must have a damper. If the roof or wall cap has a damper, you may opt out from usage of your range hood supplied damper (for some models only).

### For the most efficient & quiet operation:

- A distance of 26" to 30" is recommended between stove top and the bottom of range hood.
- It is recommended that the range hood be vented vertically through the roof with a minimum of a 6" or larger vent work.
- ALWAYS, when possible, reduce the number of transitions and turns. If a long duct run is required, increase duct size from 6" to 7" or 8". If a reducer is used, install a long reducer instead of a pancake reducer. Reducing duct size will restrict/decrease airflow.
- The size of the vent should be uniform.
- **Use no more than three 90° elbows.**
- Make sure there is a minimum of 24" (61 cm) of straight vent between the elbows if more than one elbow is used.

## 4. VENTING METHODS



## 5. ELECTRICAL REQUIREMENTS

**IMPORTANT:** Observe all governing building codes and city ordinances.

A 120 volt, 60 Hz., AC, 15-amp outlet is needed (fused electrical circuit is required)

**It is the customer's responsibility:** To contact a qualified electrical installer, to assure that the electrical installation is adequate and in conformance with National Electrical Code, ANSI/ NFPA 70 — latest edition\*, or CSA Standards C22. 1-94, Canadian Electrical Code, Part 1 and C22. 2 No. 0-M91 - latest edition and all local codes and ordinances.

## 6. TOOLS YOU WILL NEED



Level



Tape Measure



OR

Wall/Keyhole Saw



Powered Screwdriver



Aluminum Tape



Phillip Screwdriver



Pencil or Marker

### OPTIONAL





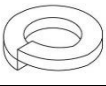
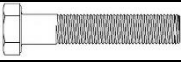

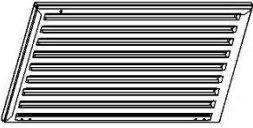
CABINET JACK

CAR JACK

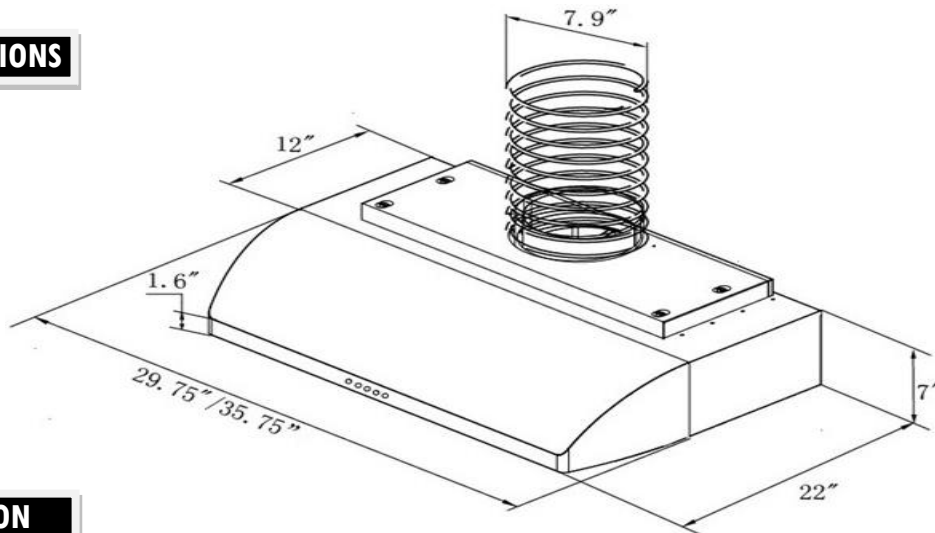


(2) 2" x 4" x 24" (1) 24" x 36"/42" x 3/4" plywood  
Note: about 6" wider than stove is ok

## 7. PARTS SUPPLIED

PART SKETCH	CODE	DESCRIPTION	UL14-U30	UL14-U36
	MB	MANUAL BOOK	1	1
	N	NUT	4	4
	W	WASHER	8	8
	B	BOLT	4	4
	MB2	MOUNTING BRACKET	4	4
	BF	BAFFLE FILTERS	2	3

## 8. HOOD DIMENSIONS



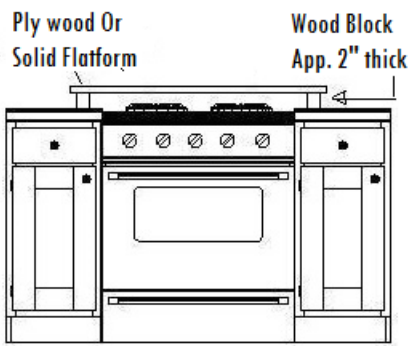
## 9. INSTALLATION

**NOTE: DO NOT TRY TO REMOVE BLOWER OR ITS HOUSING, YOU WON'T BE ABLE TO PUT IT BACK IN. MOREOVER, THE WARRANTY WILL BE VOIDED.**

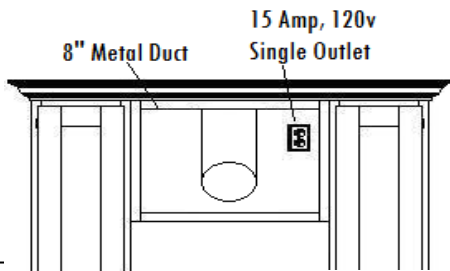
### STEP 1: PROTECT THE COOK TOP

- Put a thick, protective covering over counter top, cook top or range to protect from damage or dirt.

### STEP 2: CREATE WORK STATION (OPTIONAL)



Have 2 pieces of wood about 2" x 4" x 20" on both sides of stove & a plywood on top of them to protect cook top or stove from damage or dirt. This plywood will also create a comfortable work station for easy to installing.



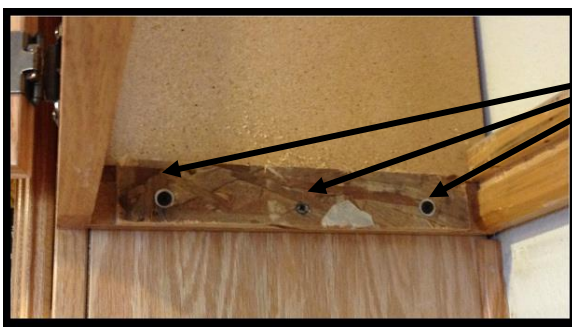
### STEP 3: PREPARE DUCTWORK & SINGLE OUTLET

- Make sure you have a 15amp, 120V, 60Hz, single outlet on the left or right of the duct pipe (usually is on 1/4 of cabinet width).
- Make sure duct pipe is ready to hook up to the range hood before beginning installation (8" diameter duct, and roof or wall cap, depending on where you will be venting your hood).



### STEP 4: CREATE ACCESSES

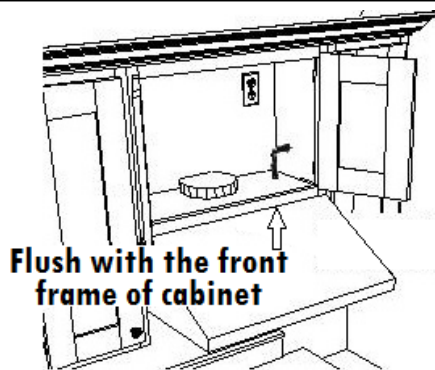
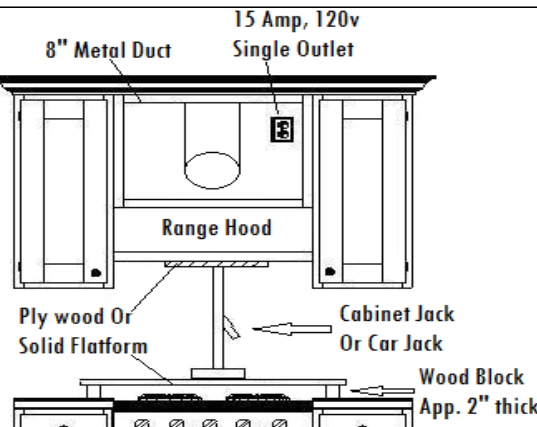
Use a wall or keyhole saw to remove the bottom of the cabinet area where the range hood will be located.



### STEP 5: PREPARE STRIPS FOR MOUNTING BRACKETS

Prepare two wood filler strips as shown in the left figure (10" x 1 1/2" x 1/2").

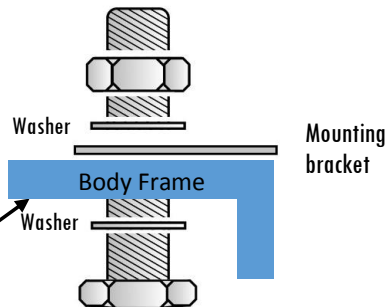
Attach 2 strips to the sides of the cabinet (1 at each side) and secure with 3 screws (NOT PROVIDED).



### STEP 6: ATTACH THE HOOD

Lift the hood up and have it placed below the cabinet. Make sure to center the hood beneath the cabinet and flush with the front of the cabinet.

**TIP (optional):** since the hood is heavy, a cabinet or a car jack is highly recommended.



### STEP 7: INSERT MOUNTING BRACKET

At each corner, install the bolt, nut, washers and mounting bracket as shown in the left figure.

**NOTE:** Adjust the mounting brackets so the hood can fit correctly and securely on the cabinet frame.

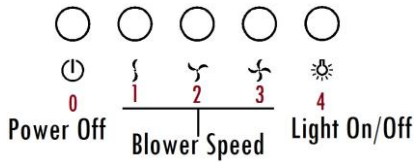


### STEP 8: CONNECT DUCTWORK

- Connect the exhaust on the hood to the ductwork. Wrap with aluminum tape to make all joints secure and tight.

## 10. RANGE HOOD OPERATION

For best results, Start the range hood before cooking and allow it to operate several minutes after the cooking is completed to clear all smoke and odors from the kitchen.



### **A. Activating Blower Function:**

- Press your designed speed (1,2,3)

### **B. Turn off power:**

- While the blower (motor) is running, press button (0) to turn off the motors.

### **C. To turn the light ON/OFF**

- While the light is off, press button (4) once to turn on the light. Press button (4) again to turn the light off

## 11. SPECIFICATION

	UL14-U30 / UL14-U36
Body Design/Material	Seamless Stainless Steel, Satin Finish. 1.0 mm Non-Magnetic 201 S.S
Power Rating	120V/60Hz (USA & Canada standard)
General Input Power	184W
Motor Input Power	90W x 2
Ampere	1.7A
Control Type	Mechanical Button
Levels Of Speed Control	3 Levels
Noise Level	1.5-6.5 sones or 33-55 dB
Number Of Motors	2 Motors
Motor Type	Single Chamber Ultra Quiet
Fan Type	Centrifugal Squirrel Cage Blower
Filtration Type	Heavy Duty Stainless Steel Baffle Filter
Illumination	LED light, 2W Maximum
Venting Size	Top, 8 inches Round
Note	Specification subject to change without notice, contact your local reseller for details.

## 12. TROUBLESHOOTING

### 1. If the range hood or lights does not operate after installation:

- Check if the range hood has been plugged in. Make sure that all power has been turned back ON.
- Swap out light assembly to working ones to determine whether it is caused by defective bulbs.



- A. Make sure the range hood is unplugged or turn OFF breaker.
- B. Pop out the light by pressing behind the light fixture.
- C. Install new light bulb.
- D. Put the light set back by pressing it in.
- E. Plug in and range hood to test for operation.

### 2. The range hood vibrates when the blower is on:

- The range hood might not have been secured properly to the cabinet or wall.
- Check if the blower wheel is damaged.

### 3. The blower or fan seems weak:

- Check that the duct sized used is at least 6". Range hood WILL NOT function efficiently with insufficient duct size & loosely secured.
- Check if duct is clogged or if damper unit (half-circular flapper) is not installed correctly or opening properly. A tight mesh on a side wall cap unit might also cause restriction to the air flow.

4. **The lights work but the blower is not spinning at all, is stuck or is rattling.**
  - The blower might be jammed or scraping the bottom due to shipping damage. Please contact us immediately.
5. **The hood is not venting out properly:**
  - Make sure the distance between the stove top and the bottom of the hood is within 26" and 30" in distance.
  - Reduce the number of elbows and length of ductwork. Check if all joints are properly connected, sealed, and taped.
  - Make sure the power is on high speed for heavy cooking.
6. **The hood is noisier than normal**
  - The damper was not opened.
  - The duct is not secure and causes vibration.
  - The smaller duct size than required is being used.
7. **Control panel is not active**
  - Check to make sure the auto function is not on.

## 13. USE & CARE INFORMATION

### Operations:

- Read and understand all instructions and warnings in this manual before operating the appliance. Save these instructions for future reference.
- Always leave safety grills and filters in place. Without these components, operating blowers could catch on to hair, fingers and loose clothing.
- NEVER dispose cigarette ashes, ignitable substances, or any foreign objects into blowers.
- NEVER leave cooking unattended. When frying, oil in the pan can easily overheat and catch fire. The risk of self combustion is higher when the oil has been used several times.
- NEVER cook on "open" flames under the range hood. Check deep-fryers during use: Superheated oil may be flammable.

### Cleaning:

- The saturation of greasy residue in the blower and filters may cause increased inflammability. Keep unit clean and free of grease and residue build-up at all times to prevent possible fires.
- **FILTERS MUST BE CLEANED PERIODICALLY AND FREE FROM ACCUMULATION OF COOKING RESIDUE.**
- DO NOT operate blowers when filters are removed. Never disassemble parts to clean without proper instructions. Disassembly is recommended to be performed by qualified personnel only. Read and understand all instructions and warnings in this manual before proceeding.

## 14. MAINTENANCE

**SAFETY WARNING:** Never put your hand into area housing the fan while the fan is operating! For optimal operation, clean range hood and all baffle/spacer /filter/grease tunnel/oil container regularly. Regular care will help preserve the appearance of the range hood.

### Cleaning Exterior surfaces:

- Clean periodically with stainless steel cleaner or hot soapy water and clean cotton cloth. **Do not use corrosive or abrasive detergent (e.g. Comet Power Scrub®, EZ-Off® oven cleaner), or steel wool/scoring pads, which will scratch and damage the stainless steel surface.** For heavier soil use liquid degrease such as "Formula 409®" or "Fantastic®" brand cleaner.
- If hood looks splotchy (stainless steel hood), use a stainless steel cleaner to clean the surface of the hood. Avoid getting cleaning solution on or into the control panel. Follow directions of the stainless steel cleaner. **CAUTION:** Do not leave on too long as this may cause damage to hood finish. Use soft towel to wipe off the cleaning solution, gently rub off any stubborn spots. Use dry soft towel to dry the hood.
- After cleaning, you may use non abrasive stainless steel polish such as 3M® or ZEP®, to polish and buff out the stainless luster and grain. Always scrub lightly, with clean cotton cloth, and with the grain.
- **DO NOT** allow deposits to accumulate or remain on the hood.
- **DO NOT** use ordinary steel wool or steel brushes. Small bits of steel may adhere to the surface and cause rusting.
- **DO NOT** allow salt solutions, disinfectants, bleaches, or cleaning compounds to remain in contact with stainless steel for extended periods. Many of these compounds contain chemicals, which may be harmful. Rinse with water after exposure and wipe dry with a clean cloth.

### Cleaning Grease Filter / Stainless Steel Filter less Grill:

**IMPORTANT:** Drain oil from oil containers before oil and residue overflow!

- The metal filters fitted by the factory are intended to filter out residue and grease from cooking. It needs not be replaced on a regular basis but are required to be kept clean.
- Filters should be cleaned after every 30 hours of use. Remove and clean by hand or dishwasher. Use proper degreasing detergent for stainless steel and leave to soak if heavily soiled. Dry filters and re-install before using hood.

## 15. LIMITED WARRANTY

### XtremeAIR USA HOOD TEN (10) YEARS MOTOR LIMITED WARRANTY

XtremeAir USA Range Hood (hereunder called "The Company") warrants its product against defects in material or workmanship for the time periods and as set forth below.

**Parts:** For a period of two (2) years from the original date of purchase of product ("Parts Warranty"), The Company will supply new or equivalent replacement parts in exchange for parts determined to be defective. The motor warranty is extended for an additional eight (8) years to accumulate of ten (10) years total (motor only).

**Labor:** For a period of one (1) year from the original date of purchase of the product ("Labor Warranty"), if the product is determined to be defective, The Company will repair or replace the product, at its option, at no charge. After the Labor Warranty period, labor charges are applicable.

**Warranty Performance:** In the event of any malfunction or defect covered under the terms of this warranty, immediately contact the company. Written notice of any malfunction or defect must be given within 7 days of the time of the discovery of the malfunction and must be accompanied by the original consumer purchase receipt which shows the date of purchase unless product has been registered

Please complete the [Product Registration Card](#) and return it with the dated bill of sale or other evidence of the original proof of purchase within 30 days from purchase of the product to address shown below to protect your investment.

To obtain warranty service, the products must be delivered, freight prepaid, in either its original packaging or packaging affording an equal degree of protection to the company authorized service facility specified as below. The repaired unit will be returned at the company expense.

309 N. Harbor Blvd., Santa Ana, CA 92703, USA

For specific instructions on how to obtain warranty service for your product, Visit XtremeAir USA's Web Site:

[www.XtremeAirUsa.com/Warranty/Service](http://www.XtremeAirUsa.com/Warranty/Service)

Or call XtremeAir USA Customer Information Service Center: 1(714)554-9000

**Repair / Replacement Warranty:** This Limited Warranty shall apply to any repair, replacement part or replacement product for the remainder of the original Limited Warranty period. Any part or product replaced under this Limited Warranty will become the property of The Company.

This Limited Warranty only covers product issues caused by defects in material or workmanship during ordinary consumer use or non-transferable; it does not cover product issues caused by any other reason, including but not limited to product issues due to commercial use, acts of God, misuse, defects resulting from damages sustained during shipping, unauthorized repair, modification of or to any part of the XtremeAir product.

This Limited Warranty does not cover XtremeAir products sold AS IS or WITH ALL FAULTS, light bulbs, remote control, normal maintenance and service, costs of removal, installation. This Limited Warranty is invalid if the factory-applied serial number has been altered or removed from the product.

#### DISCLAIMERS

XtremeAir USA LLC shall not be responsible for loss of use or other incidental consequential costs, expenses or damages which may occur. Under no circumstances shall XtremeAir USA LLC or any of its representatives be held liable for injury to any person or damage to any property, however arising. This warranty gives you specific legal rights, and you may have other rights which vary from state to state.

All rights reserved to XtremeAir USA LLC

XtremeAIR Warranty 6.1.13