

# INSTALLATION INSTRUCTIONS AND USER MANUAL

---



⚠ INTENDED FOR DOMESTIC COOKING ONLY ⚠

**READ AND SAVE THESE INSTRUCTIONS**

INSTALLER: LEAVE THIS MANUAL WITH HOMEOWNER.  
HOMEOWNER: USE AND CARE INFORMATION ON PAGES 7 TO 9.



7 72371 07115 5

04741 rev. C

## **WARNING**

### **TO REDUCE THE RISK OF FIRE, ELECTRIC SHOCK, OR INJURY TO PERSON(S) OBSERVE THE FOLLOWING:**

1. Use this unit only in the manner intended by the manufacturer. If you have questions, contact the manufacturer at the address or telephone number listed in the warranty.
2. Before servicing or cleaning unit, switch power off at service panel and lock service disconnecting means to prevent power from being switched on accidentally. When the service disconnecting means cannot be locked, securely fasten a prominent warning device, such as a tag, to the service panel.
3. Installation work and electrical wiring must be done by qualified personnel in accordance with all applicable codes and standards, including fire-rated construction codes and standards.
4. Sufficient air is needed for proper combustion and exhausting of gases through the flue (chimney) of fuel burning equipment to prevent backdrafting. Follow the heating equipment manufacturer's guidelines and safety standards such as those published by the National Fire Protection Association (NFPA), and the American Society for Heating, Refrigeration and Air Conditioning Engineers (ASHRAE), and the local code authorities.
5. When cutting or drilling into wall or ceiling, do not damage electrical wiring and other hidden utilities.
6. Ducted fans must always be vented to the outdoors.
7. Do not use this unit with any solid-state speed control device.
8. To reduce the risk of fire, use only steel ductwork.
9. This unit must be grounded.

### **TO REDUCE THE RISK OF A RANGE TOP GREASE FIRE:**

- a) Never leave surface units unattended at high settings. Boilovers cause smoking and greasy spillovers that may ignite. Heat oils slowly on low or medium settings.
- b) Always turn hood ON when cooking at high heat or when cooking flaming foods.
- c) Clean ventilating fans frequently. Grease should not be allowed to accumulate on fan or filter.
- d) Use proper pan size. Always use cookware appropriate for the size of the surface element.

## **WARNING**

### **TO REDUCE THE RISK OF INJURY TO PERSON(S) IN THE EVENT OF A RANGE TOP GREASE FIRE, OBSERVE THE FOLLOWING\*:**

1. SMOTHER FLAMES with a close-fitting lid, cookie sheet, or metal tray, then turn off the burner. BE CAREFUL TO PREVENT BURNS. IF THE FLAMES DO NOT GO OUT IMMEDIATELY, EVACUATE AND CALL THE FIRE DEPARTMENT.
2. NEVER PICK UP A FLAMING PAN – You may be burned.
3. DO NOT USE WATER, including wet dishcloths or towels – This could cause a violent steam explosion.
4. Use an extinguisher ONLY if:
  - A. You know you have a Class ABC extinguisher and you know how to operate it.
  - B. The fire is small and contained in the area where it started.
  - C. The fire department has been called.
  - D. You can fight the fire with your back to an exit.

\* Based on "Kitchen Fire Safety Tips" published by NFPA.

## **CAUTION**

1. For general ventilating use only. Do not use to exhaust hazardous or explosive materials and vapors.
2. To avoid motor bearing damage and noisy and/or unbalanced impellers, keep drywall spray, construction dust, etc. of power unit.
3. Your hood motor has a thermal overload which will automatically shut off the motor if it becomes overheated. The motor will restart when it cools down. If the motor continues to shut off and restart, have the hood serviced.
4. For best capture of cooking impurities, the bottom of the hood should be a minimum of 20" (24" over a gas range) and a maximum of 30" above the cooking surface.
5. To reduce the risk of fire and to properly exhaust air on a ducted installation, be sure to duct air outside – Do not exhaust air into spaces within walls or ceiling or into attics, crawl spaces, or garage.
6. This product is equipped with a thermostat which may start blower automatically. To reduce the risk of injury and to prevent power from being switched on accidentally, switch power off at service panel and lock or tag service panel.
7. Because of the high exhausting capacity of this hood, you should make sure enough air is entering the house to replace exhausted air by opening a window close to or in the kitchen.
8. Use with approved cord-connection kit only.
9. Please read specification label on product for further information and requirements.

## ABOUT THIS MANUAL

Your new range hood can be installed either with an exterior outlet or not. In this last case, you must install your hood with a charcoal filter module (sold separately).

Because of the large amount of models covered by this publication, the illustrations are typical ones. Some details of your unit may be slightly different of the ones shown.

Please take note that this manual uses the following symbols to emphasize particular information:

### **⚠ WARNING**

**Identifies an instruction which, if not followed, might cause serious personal injuries including possibility of death.**

### **CAUTION**

**Denotes an instruction which, if not followed, may severely damage the unit and/or its components.**

NOTE: Indicates supplementary information needed to fully complete an instruction.

### HOOD INSTALLED WITH A CHARCOAL FILTER MODULE

This module must be installed prior to proceed to the hood installation. Refer to the installation sheet included in the charcoal filter unit kit.

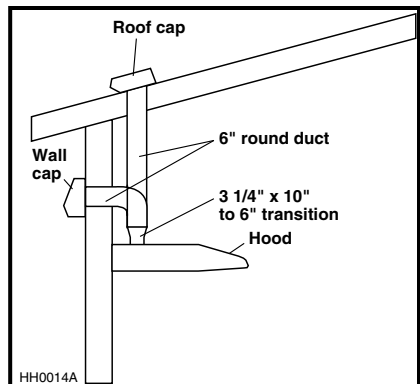
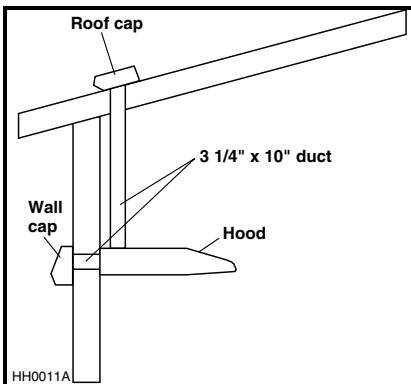
### TOOLS NEEDED TO INSTALL THE RANGE HOOD

- Phillips screwdriver #2 or Robertson #1
- Hammer and flat head screwdriver (to open the knockout holes)
- Sheet metal sheers (ducted installation only, for duct adjustment)
- Pair of pliers (ducted installation only, for duct adjustment)
- Scissors (to cut duct tape)
- Pen

## 1. INSTALL DUCTWORK

Plan where and how the ductwork will be installed.

Install proper-sized ductwork, elbow(s) and roof or wall cap for the type of blower you are installing. If using 6" (150 mm) round ducts, use a transition. Use 2" (50 mm) duct tape to seal duct joints.

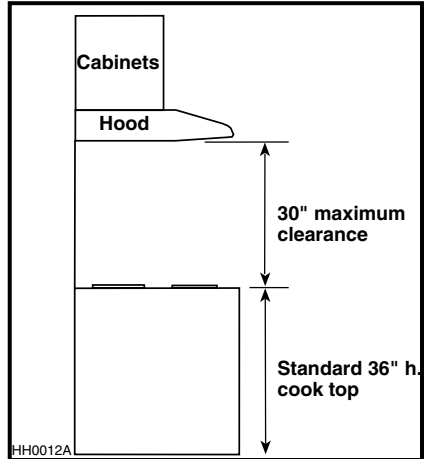
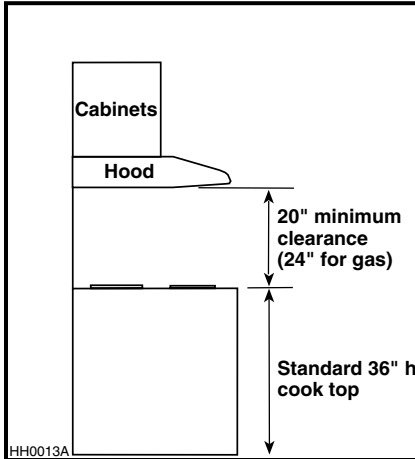


## 2. MEASURE INSTALLATION

Dimensions for the most common installations are shown below.

**We recommend to install the hood at a minimum of 20" (508 mm) from an electric range and at 24" (610 mm) from a gas range.**

For optimal performance, the hood should not be installed more than 30" (762 mm) from cooktop.



## 3. PREPARE THE INSTALLATION

Make sure that the following items are included:

-Hood

-Filters

-Bag of parts including :

(1) wire clamp, (5) 1/2" double thread screws, (2) wire connectors and (6) 1/2" screws

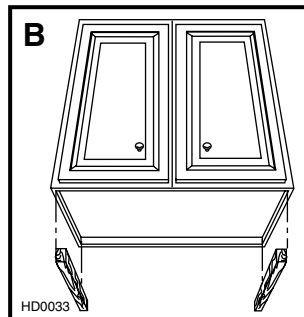
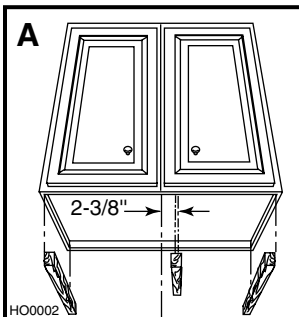
-Adapter/damper assembly 3-1/4" x 10" (located inside the hood, under the cover)

Parts sold separately:

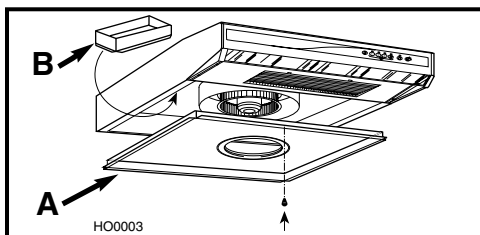
- **Appliance** bulbs (40W maximum, A15 model)

- Transition 3-1/4"x 10" to 6"round (optional, for ducted installation only)

**NOTE:** If the bottom of the cupboard is recessed, attach wood strips (not included), as shown below, to be able to properly install the range hood (**A**) or charcoal filter unit to the cabinet (**B**).

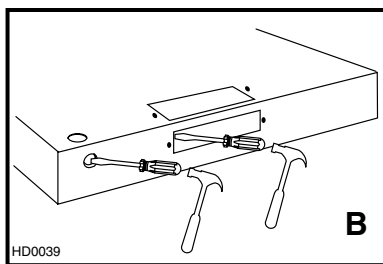
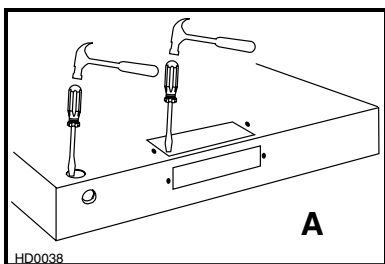


Remove the filters. Remove the screw located at the bottom of the hood and remove the cover (A) and the adapter/damper assembly (B) from the inside of hood.



#### 4. CHOOSE THE OPENING

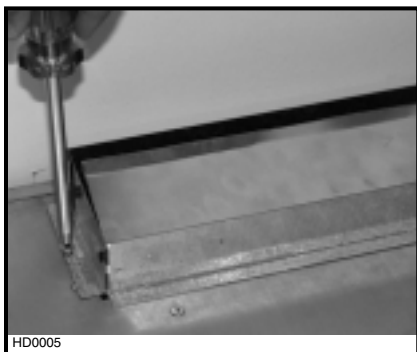
Remove the knockouts for the chosen opening (vertical (A) or horizontal (B)) at the back or on top of the hood and for electric connection.



NOTE: For the best ventilation performance, use a transition 3-1/4" x 10" to 6" (8.25 x 25.4 to 15.24 cm), if round duct is used. The wall duct must be well prepared to receive the adapter. Before performing the installation, make sure the adapter fits easily in the duct. If this hood replaces another hood, please note that location of the air exhaust can vary from one manufacturer to another.

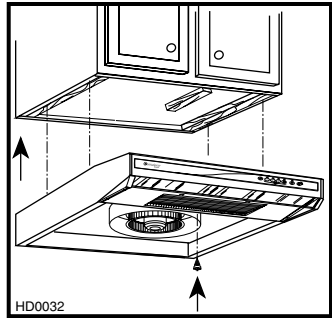
#### 5. INSTALL THE ADAPTER

Using (2) 1/2" screws, secure the adapter to the top or back of the hood. Tape the adapter to the hood using duct tape to seal it.



## 6. INSTALL THE HOOD

Run power cable to installation location. Place the hood at its location. Mark the position of the screws (smaller part of the **embossed** key holes) with a pen. Remove the hood and install the (4) 1/2" double thread screws leaving a 1/8" gap. Place the wire clamp, insert the cable in the hood and tighten the wire clamp to secure the cable. Place the hood under the cabinet and slide it in position. Make sure the adapter/damper assembly enters the ducting. Secure the hood by tightening the screws completely. Insert the last 1/2" double thread screw in the remaining embossed hole. Make sure the damper over the adaptor opens freely.



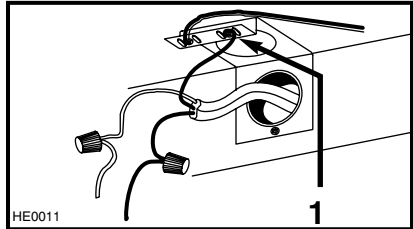
## 7. CONNECT WIRING

### **⚠ WARNING**

**Risk of electrical shock. Electrical wiring must be done by qualified personnel in accordance with all applicable codes and standards. Before connecting wires, switch power off at service panel and lock service disconnecting means to prevent power to be switched on accidentally.**

Connect cable to range hood wiring using wire connectors included.

Connect BLACK to BLACK, WHITE to WHITE, and GREEN wire under GREEN ground screw. **DO NOT FORGET TO CONNECT THE GROUND.**



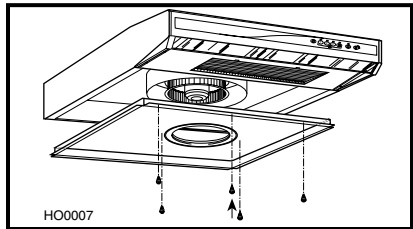
1) Ground screw

## 8. REINSTALL BOTTOM COVER

Reinstall the bottom cover, using 5 screws, as shown. Then, install filters.

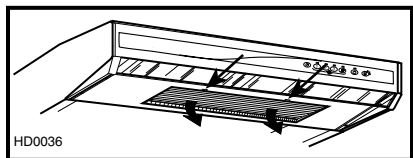
### **CAUTION**

**Remove protective plastic film covering filters before installing them (if applicable).**



## 9. LIGHT BULBS

This range hood uses two appliance bulbs, maximum 40 watts, A15 model (not included). To install them, remove the light diffuser by pushing on its clasps and pull down, as shown. Then, install the bulbs by rotating them clockwise into their socket holder. Reinstall the light diffuser.



### **CAUTION**

**Always use appliance bulbs. Failure to do so will damage the light diffuser.**

## 10. USE AND CARE

### Filters and impeller

The filters, impeller and the intake ring should be cleaned frequently. Use a warm detergent solution. The intake ring and impeller are dishwasher safe.

**NOTE:** It is not recommended to wash the grease filters in the dishwasher, because some minerals, when in contact with dishwasher soap additives, may cause a discoloration of the filters. This discoloration is not covered by the warranty.

To remove the impeller, first take off the intake ring. Then remove the impeller by pulling it down smoothly.



There is a tab on the interior ring of the wheel, make sure it fits into one of the holes on the motor (you will feel it fall into position), when reinstalling the wheel.

### **⚠ WARNING**

**We take great care to keep sharp edges to a minimum, but please be careful; the hood bottom cover edges may be sharp.**

### Hood cleaning

Stainless steel cleaning: How to maintain its « BRIGHT LOOK »

#### **Do:**

- Regularly wash surfaces with clean cloth or rag soaked with warm water and mild soap or liquid dishwashing detergent.
- Always clean in the direction of original polish lines.
- Always rinse well with clear water (2 or 3 times) after cleaning. Wipe dry completely.
- You may also use a specialized household stainless steel cleaner.

#### **Don't:**

- Do not use any steel or stainless steel wool or any other scrapers to remove stubborn dirt.
- Do not use any harsh or abrasive cleansers.
- Do not allow dirt to accumulate.
- Do not let plaster dust or any other construction residues reach the hood. During construction or renovation, cover the hood to make sure no dust sticks to stainless steel surface.

#### **Avoid: when choosing a detergent**

- Any cleaners that contain **bleach** will attack stainless steel.
- Any products containing : **chloride, fluoride, iodide** or **bromide** will deteriorate surfaces rapidly.
- Any **combustible products** used for cleaning such as **acetone, alcohol, ether, benzol**, etc., are highly explosive and should not be used close to a range.

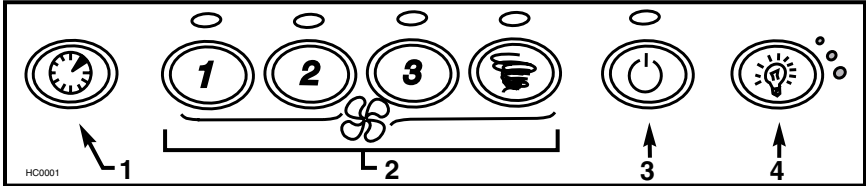
#### Enamel finish:

Clean with warm water and mild detergent only. If discoloration occurs, use a good enamel polish such as automotive polish. (**DO NOT** use rough abrasive cleaner or porcelain cleaner.)

## 11. OPERATION

Always turn ON your hood before you begin cooking in order to establish an air flow in the kitchen. Let the blower run for a few minutes to clear the air after you turn off the range. This will help keep the whole kitchen cleaner and brighter.

### ELECTRONIC CONTROL



1) Delay switch

2) Start/Stop/Speed selection switches


3) Master OFF/Filter maintenance switch/Heat detector

4) Light switch

#### **1. Delay switch:**

When a speed is selected, press the delay switch to activate the delay function. The corresponding speed indicator light will start flashing to indicate this function is activated. The fan will continue to operate for 5 minutes and will stop automatically. To cancel the delay function, press the delay switch once again.

#### **2. Start / Stop / Speed selection switches:**

Press the switch corresponding to the desired fan speed. The light indicates the selected speed (from speed "1" for Silentsure™\* mode to  for "Boost Mode"). To turn off the fan, press once more on the corresponding fan speed switch.


#### **3. Master Off / Filter maintenance switch / Heat detector:**

##### **(Triple function switch)**

- To turn Off the motor and the lights simultaneously, press the switch once.
- After 25 hours of operation, the filter maintenance light indicator will turn itself on. This indicates that the filters and the blower wheel need to be cleaned in order to maintain efficient operation of the unit. The indicator light will stay ON until the function is reactivated by pressing this switch for 3 seconds.
- The light indicator is used for the Smartvent™\* function as well (see below).

#### **Smarvent™\*(on some models only):**

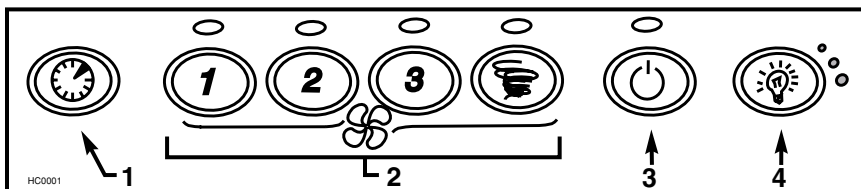
When an excessively high temperature is detected, the detector takes control over the blower and ensure that an appropriate ventilation is produced. The controller is equipped with two detection levels.

**Protected mode level 1:** When medium heat is detected, the blower sets itself to speed 3, the corresponding light indicator comes ON and the  indicator flashes.

\*TM in Canada only. US TM pending.



## ELECTRONIC CONTROL (cont'd)




1) Delay switch

2) Start/Stop/Speed selection switches

3) Master OFF/Filter maintenance switch/Heat detector

4) Light switch

### Smarvent™\*(cont'd):

**Protected mode level 2:** When a greater heat is detected, the blower then sets itself to Boost mode, the corresponding light indicator turns ON and the  indicator flashes.

### WARNING

**The protected mode can start the blower even if the hood is turned OFF. In protected mode, it is impossible to turn the blower OFF with the push buttons. If you must stop the blower, do it from the main electrical panel.**

The blower will remain ON until the heat is back to normal, it then returns to the speed previously selected.

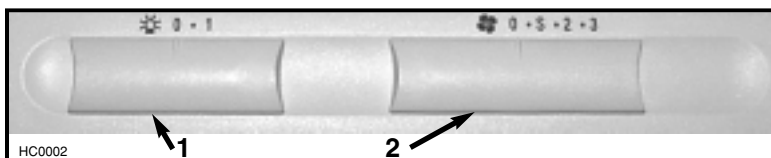
NOTE: In a case of range top grease fire (temperature exceeding 90 C°), the protected mode will be deactivated to prevent fire propagation.

\*TM in Canada only. US TM pending.

### **4. Light switch:**

The light switch allows three different lighting levels according to your needs. Use **appliance** light bulbs (120V, 40W, A15 model).

## MECHANICAL CONTROL



1) OFF / ON light switch

2) OFF / ON motor and speed control switch

### **1. OFF / ON light switch:**

Slide this switch to turn on the light. Use **appliance** light bulbs (120V, 40W, A15 model).

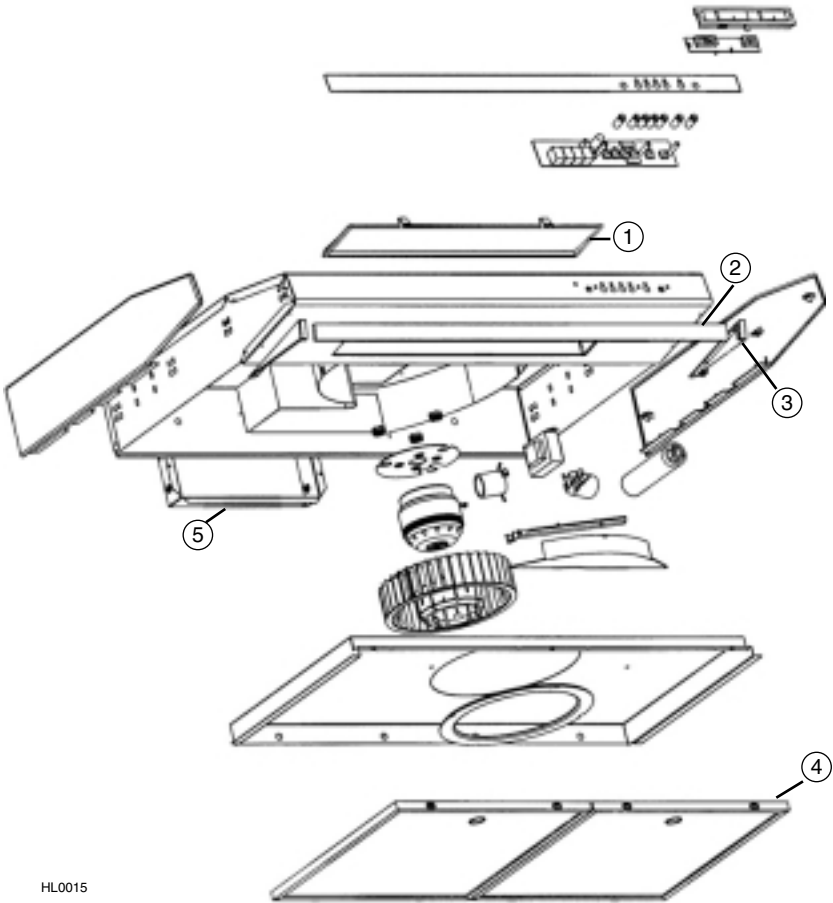
### **2. OFF / ON motor and speed control switch:**

Slide this switch corresponding to the desired fan speed. Speed "S" indicates Silentsure™\* mode.

\*TM in Canada only. US TM pending

# SERVICE PARTS

---



HL0015

## SERVICE PARTS

---

Ref.#	Qty.	Description	Part Number
1	1	Light Diffuser	01752
2	1	30" clear glass	01832
	1	36" clear glass	02049
	1	30" tinted glass	01874
	1	36" tinted glass	02050
3	1	White glass holder (the pair)	01991
	1	Almond / Biscuit glass holder (the pair)	01993
	1	Black glass holder (the pair) (also for s/s)	01992
4	1	Mesh filters for 30" hood (the pair)	01989
	1	Micromesh filters for 30" hood (the pair)	14131
	2	Mesh filters for 36" hood (unit)	02070
	1	Micromesh filters for 36" hood (the pair)	14132
5	1	Adapter and damper	13296
	1	Instruction manual	04741
	1	Installation bag ((1) wire clamp, (6) screws # 6 x 1/2", (5) double thread screws and (2) wire connectors)	04281

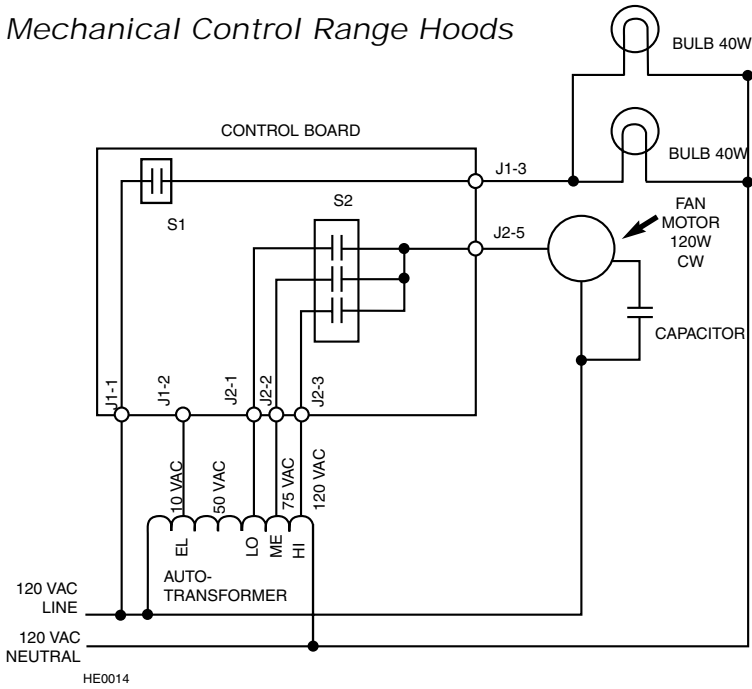
## TECHNICAL SPECIFICATIONS

---

<b>Transformer</b>	120 VAC, 60 Hz			
<b>Bulbs (A15)</b>	2 x 40 W max.			
<b>Models</b>	S1x / 1200	S2x / 1400	S3x / 1600	S4x / 1800
Total power consumption	200 W	245 W	245 W	245 W
cfm	270	370	270/370	300/440

# WIRING DIAGRAMS

## Mechanical Control Range Hoods



## Electronic Control Range Hoods

