

Using the Timer Control

Turn the clock dial clockwise until the correct time aligns with the pointer. Raise the time segments for the required on/off times and set the control switch to 'timer controlled'.

CARE, CLEANING & REPAIRS

Care & Cleaning

Make sure that the heater is unplugged from the mains and is cool before you attempt to clean it. Wipe with a dry cloth to remove dust or with a damp (not wet) cloth to clean stains. Ensure that no moisture gets into the heater. Do not use abrasive cleaning powder, metal polish or furniture polish on any part of the heater.

Do

- Do read the instructions carefully.
- Do disconnect the heater from the mains supply when not in use or being cleaned.
- Do position close to, but not directly beneath, a suitable mains outlet.
- Do store in a cool and dry place when not in use.

Don't

- Do not use outdoors, for indoor use only.
- Do not position immediately below a fixed socket outlet.
- Do not position close to furniture or curtains where it might create a fire hazard.
- Do not position in the immediate surrounding of a bath, shower or swimming pool.
- Do not cover or restrict the air inlet or heat outlet vents.
- Do not position the heater closer than 500mm to any overhanging surface.
- Do not strain the mains lead.
- Do not position the mains lead where it will cause anybody to trip over it.
- Do not use the heater lying on its back, front or sides.
- Do not run the mains lead under carpeting.
- Do not use with an extension lead as it may overheat.
- Do not use where excessive moisture is present.
- Do not allow water to get into the interior of the heater.
- Do not insert or allow any foreign objects to enter the heater.
- Do not use in areas where petrol, paint or flammable liquids are used or stored.
- Do not use in workshops or rooms where there are excessive amounts of dust.
- Do not fit the heater to the walls in rooms where children or invalids may be left unattended.

Repairs

Do not attempt to repair this product yourself. Repairs can only be made by qualified service personnel. Repairs by unqualified persons will invalidate the guarantee, but more importantly, could result in accident or injury. If this product fails to work properly please return it to your nearest Levanté stockist.

SAFETY OVERHEAT PROTECTION

A thermal cut-out will switch off the heater if for any reason it overheats. If the cut-out operates, determine the reason for overheating and correct it. The cut-out resets automatically when the heater cools down. This could take 10-20 minutes.

IF IN DOUBT, CONTACT A QUALIFIED ELECTRICIAN.



Panel Heater User Manual



240V~50Hz

**LEVPH500T
LEVPH1000T
LEVPH1500T
LEVPH2000T**

CAUTION: PLEASE READ THESE INSTRUCTIONS CAREFULLY BEFORE USING THIS PRODUCT

REMOVE ALL PACKAGING MATERIALS FROM THIS PRODUCT BEFORE USING IT

TECHNICAL CHARACTERISTICS

Models covered by this instruction guide:

LEVPH500T - 500W c/w thermostat & timer

Suggested room size: 7 - 9m²
Dimensions: 388 x 294 x 52mm

LEVPH1000T - 1000W c/w thermostat & timer

Suggested room size: 12 - 14m²
Dimensions: 677 x 294 x 52mm

Voltage: 240V~50Hz

LEVPH1500T - 1500W c/w thermostat & timer

Suggested room size: 17 - 20m²
Dimensions: 963 x 294 x 52mm

• **LEVPH2000T** - 2000W c/w thermostat & timer

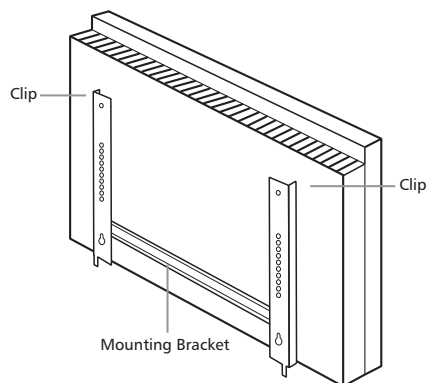
Suggested room size: 20 - 28m²
Dimensions: 1308 x 294 x 52mm

IMPORTANT: Read these instructions fully before using the heater. Please retain these instructions for future reference. Make sure that the voltage stated above corresponds with the voltage in your home. This quality product has been tested and certified to meet all applicable UK electrical and safety standards. For safety reasons, this panel heater must not be used until it has been properly installed. If in any doubt, please consult a qualified electrician.

INSTALLATION

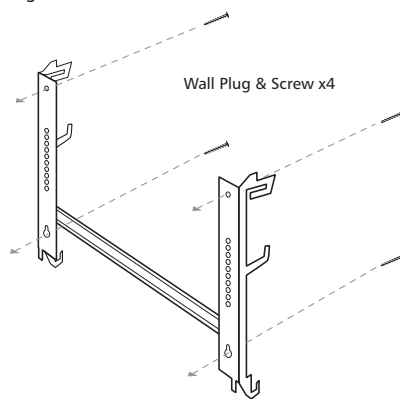
Carefully select a suitable mounting position on a wall, near to a main power outlet, allowing sufficient free space around the heater as per fig. 4.

fig. 1



Remove the mounting bracket from the heater by pressing inwards on the two clips then pulling the bracket down and away from the heater.

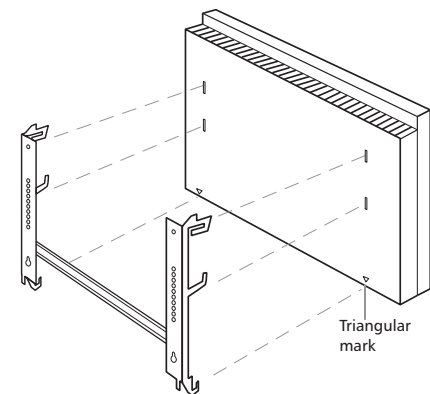
fig. 2



Fix the mounting bracket to the wall via the four fixing holes using wall plugs & screws.

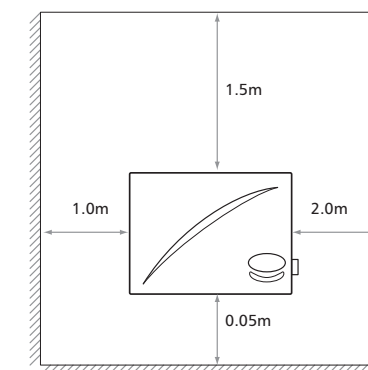
WARNING: DO NOT COVER THIS PRODUCT AS IT MAY OVERHEAT

fig. 3



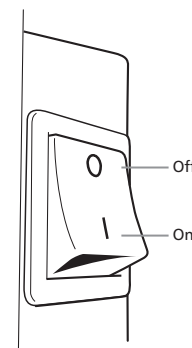
Reattach the heater onto the mounting bracket. Ensure the bottom hooks are aligned with the slots beneath the two triangular marks. Push the heater so the slots lock onto the bracket clips.

fig. 4

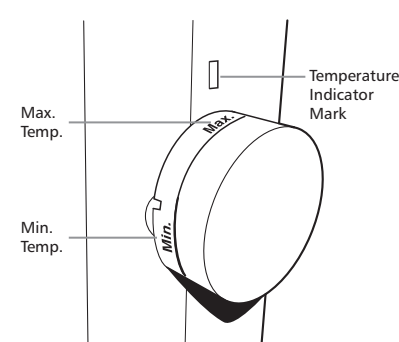


HEATER OPERATION

Heater Power



Thermostat



Thermostat Control

The convector heater can be adjusted to maintain a constant room temperature by using the thermostat. Rotate the control clockwise to turn on and increase the room temperature. Use along with the timer control selected to 'on' or 'timer controlled'. When the room has reached the required temperature the light on the front of the heater will turn off.

Please note that if the indicator light is not lit when the heater is switched on:

- Turn the thermostat control clockwise to a higher setting.
- Ensure that the override switch on the timer is set to the 'on' position.

Frost Protection: Turn the thermostat to the 'MIN' setting for the heater to maintain a temperature above freezing.

Timer Control

20 minute Time Segments
(Outwards = Off, Inwards = On)

