

User manual

Zitzi Pengy Seat

Table of contents

Safety precautions	3	Table, solid	9
Introduction.....	3	Mounting the table.....	9
Terms of use.....	3	Mounting on the Pengy underframe	10
Correspondence.....	3	Mounting on the Pengy underframe	10
Crash tested.....	3	Unmount the Pengy seat from the	
Headrest	4	Pengy underframe	10
Mounting the headrest bracket.....	4	Customer Service	11
Adjusting the headrest	4	Maintenance instructions	12
Backrest settings	5	Service intervals	12
Locking the flexback.....	5	Cleaning and washing instructions	12
Adjustment of backrest height.....	5	Tools	12
Adjusting the backrest angle	5	Warranty	13
Adjustment of the lateral support.....	5	Spare parts	13
Seat part	6	Reconditioning.....	13
Leg length difference.....	6	Marking.....	13
Adjusting the seat pocket.....	6	Recycling	13
Abduction, adduction and windswept	6	Summary and follow-ups	14
Hip belt	7	Follow-up inspections.....	14
Replacing the hip belt	7	Adaptation and customization	14
Armrest	8	Recommendations.....	14
Width adjustment.....	8	Terms of Sale	15
Height adjustment	8	Warranty	15
Angle adjustment up/down	8	Warranty claims	15
Lateral angle adjustment.....	8	Returning products	15

Safety precautions

Introduction

For you to use all advantages of the Zitzi Pengy, it is important that you read this manual thoroughly. This applies to all persons who are in the vicinity of the user. The product is designed for users with seating problems and fits many different types of diagnoses. Adjustment of the Zitzi Pengy should always be performed by medically qualified person.

If you need additional information, please contact Anatomic SITT AB.

Field of application

The product is intended for use as a seating system together with the chassis produced by Anatomic SITT AB. If the desire for another use can be found, please contact Anatomic SITT AB.

Correspondence

Zitzi Pengy and its accessories are CE marked products. A unique serial number is located on a label placed on the back. This serial number should be quoted in any correspondence regarding the product.

Crash tested

The Pengy seating system is crashtested and approved together with the Pengy underframe according to ISO 7176-19

This product is manufactured by Anatomic SITT AB

Postal address Anatomic SITT AB, Box 6137, 600 06 Norrköping

Street address Anatomic SITT AB, Terminalgatan 1, 602 29 Norrköping

Telephone 011-161800

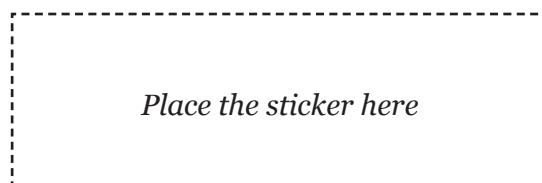
Fax 011-162005

Email info@anatomicsitt.com

Web anatomicsitt.com, [youtube.com/anatomicsitt](https://www.youtube.com/anatomicsitt)



Check the checkbox if the product is CUSTOMIZED. The CE Mark is no longer valid and should be removed.



Place the sticker here

Headrest

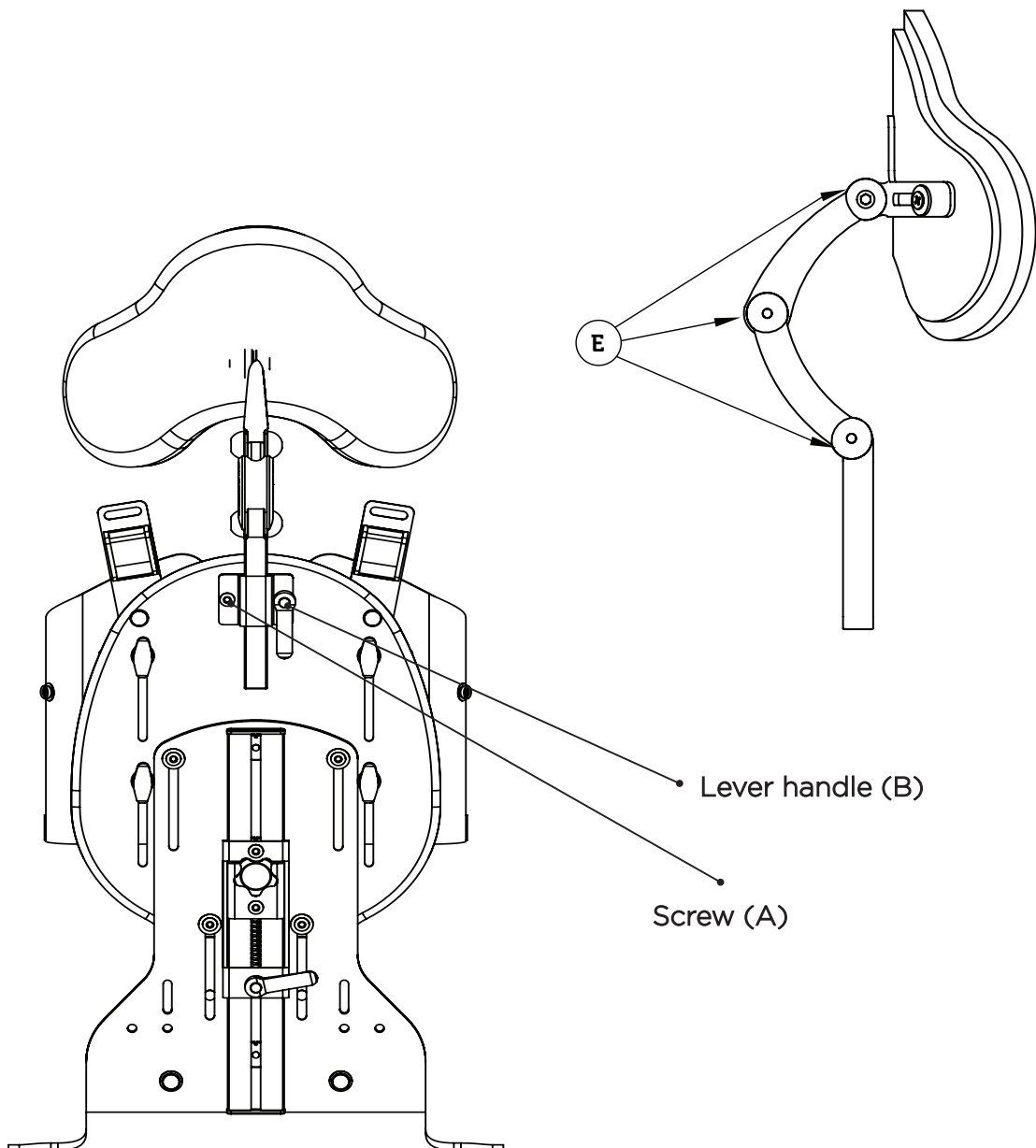
Mounting the headrest

Mount the main support bracket with lever handle (B) and its washer and screw (A). Note that the screw (A) should not be too tightened, it should be possible to move up and down when the lever knob (B) is loosened.

Adjusting the headrest

When adjusting the 3-joint headrest, loosen the screw (E) in the joint you wish to adjust. Once you reach the desired position, tighten the screw (E) again.

To adjust the height of the headrest, loosen the lever handle (B) and move the headrest to desired position. Then tighten lever handle (B).



Backrest

Locking the flexback

To lock the flexback screw the back flex knob (C) clockwise. If you want the back to flex, screw the knob counterclockwise.

Adjustment of backrest height

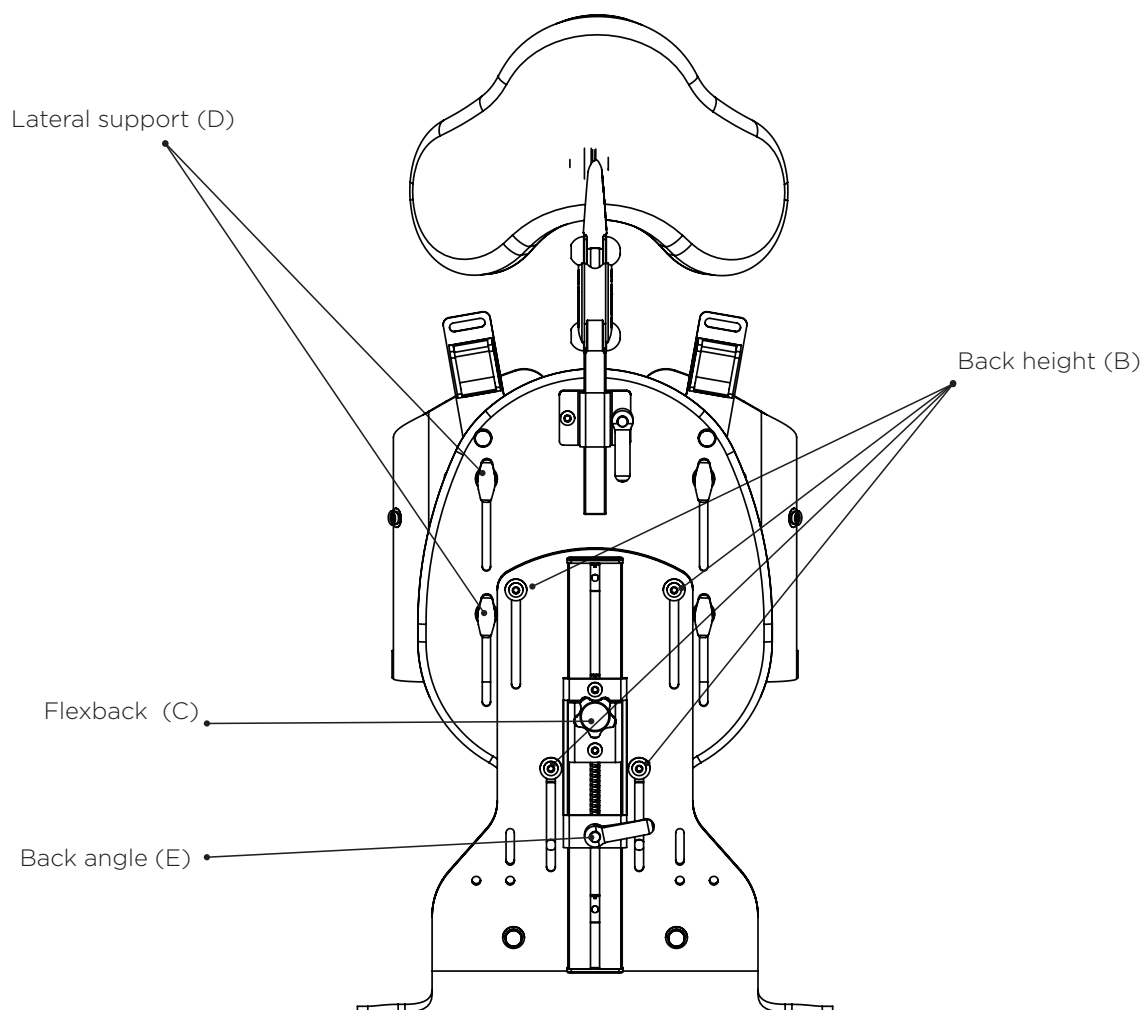
To adjust the back height, loosen the screws (B) using the adjustment key and then adjust it to desired height. When you are satisfied with the setting tighten the screws (B) again.

Adjusting the backrest angle

To adjust the back angle, first loosen the spine flex knob (C) then the backrest angle knob (E) and angles then back to the desired position. Back angle knob (E) should always be tighten while in use.

Adjustment of the lateral support

Loosen the knob (D) and press the top end of the lumbar support which is placed behind the back lining until the desired lower back depth is reached. Hold the lumbar support in position and then tighten the knob (D).



Seat part

Leg length difference

To change the length of the leg parts, loosen the screw (B) on the leg part with the help of the adjustment key, and then adjust the leg part to the desired length. Then tighten the screw (B) again.

Adjusting the seat pocket

When adjusting the seat depth, the seat pocket should also be adjusted. Loosen the leg parts anterior screws (C) with the allen key and drag the depth adjustment plate to the desired position. Then tighten the screws (C).

Abduction, adduction and windswept

To adjust the leg part to any of these positions, loosen the screw (B) using allen key, and move the leg part to desired position. Tighten the screw (B).

Tip!

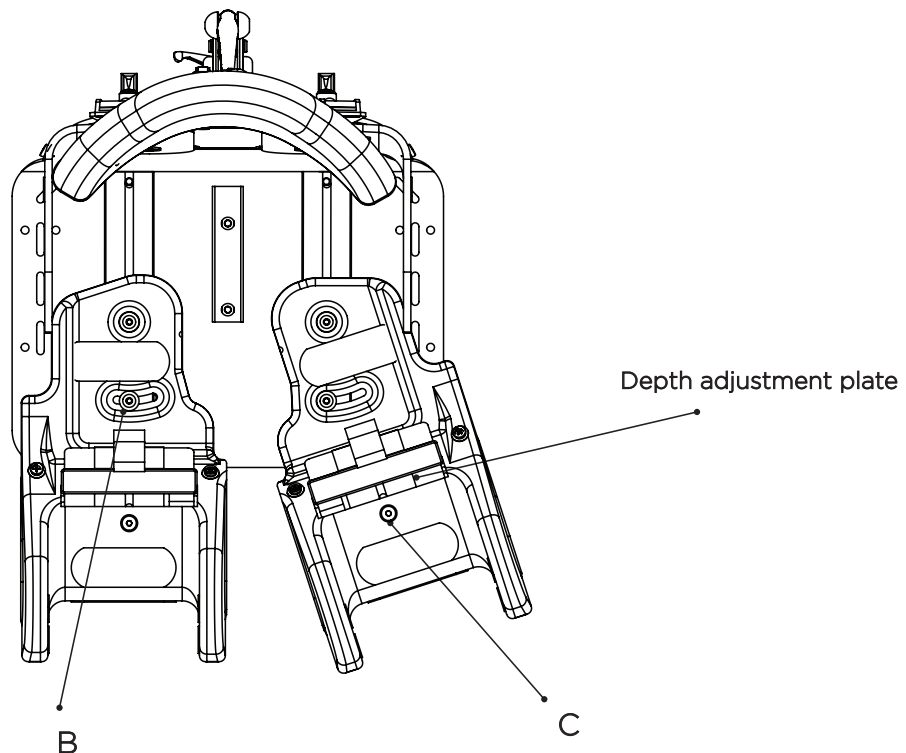
To get a good starting point for setting the seat depth, the color scale on the seatbase and depth adjustment plate can be used as help.

If the seat depth is adjusted to, for example, grey field the depth adjustment plate should also be pulled out to the grey field. This is in order to ensure an as correct seat pocket size and subsequent seating position as possible.

Always fine-tune the settings after each users requirements.

Note!

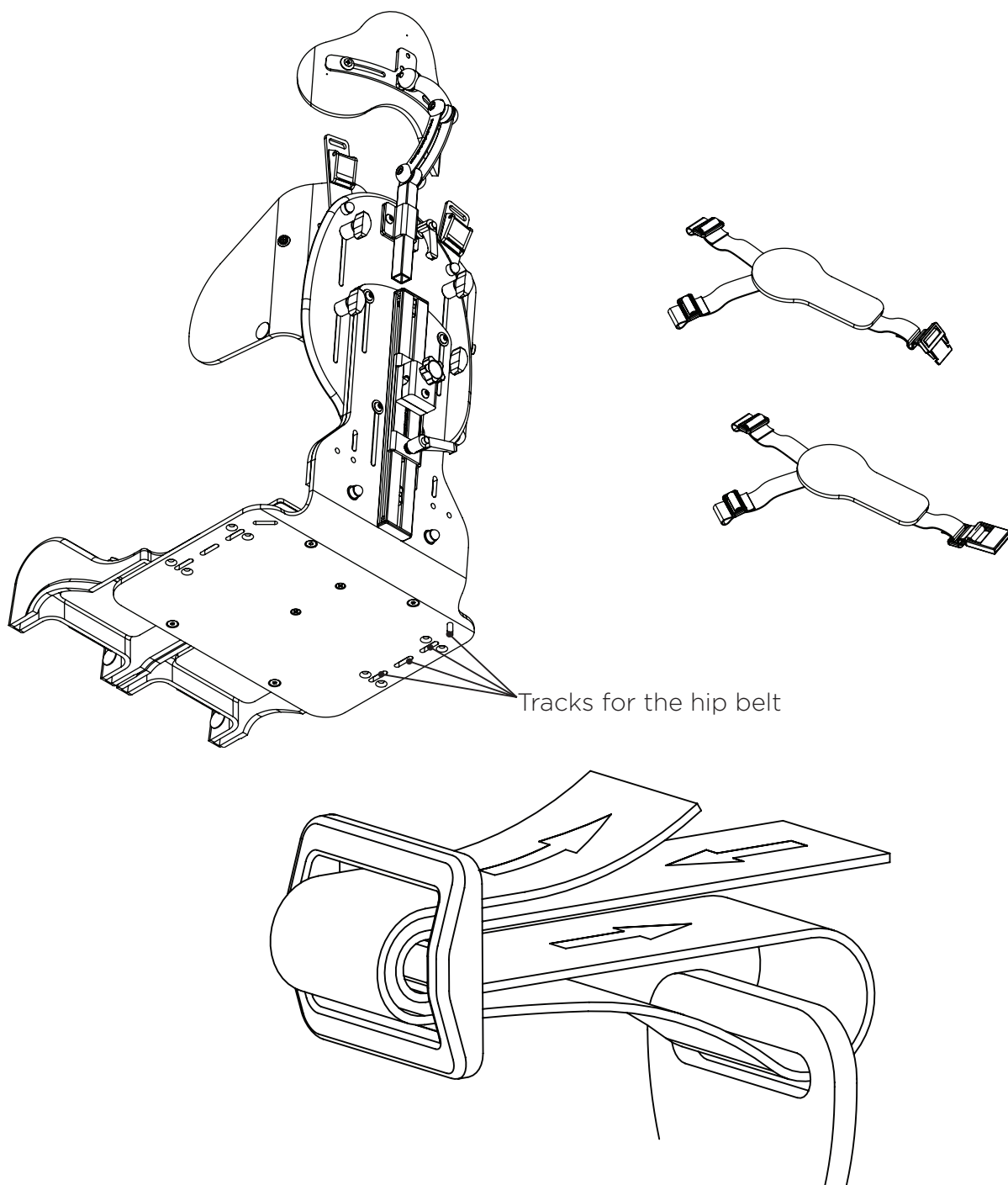
Note that you never have to remove the screws completely to adjust, just loosen them slightly.



Hip belt

Replacing the hip belt

When mounting the hip belt in the hip belt tracks, use a tri-glide buckle.
For assembly according to the tri-glide method, see picture.



Armrest

Width adjustment

To change the width of the armrest, loosen the screw (B) and then move the armrest to the desired position, then tighten the screw (B). For more width adjustment remove the screw (A) and turn the angle bracket 180°, then tighten the screws (A).

Height adjustment

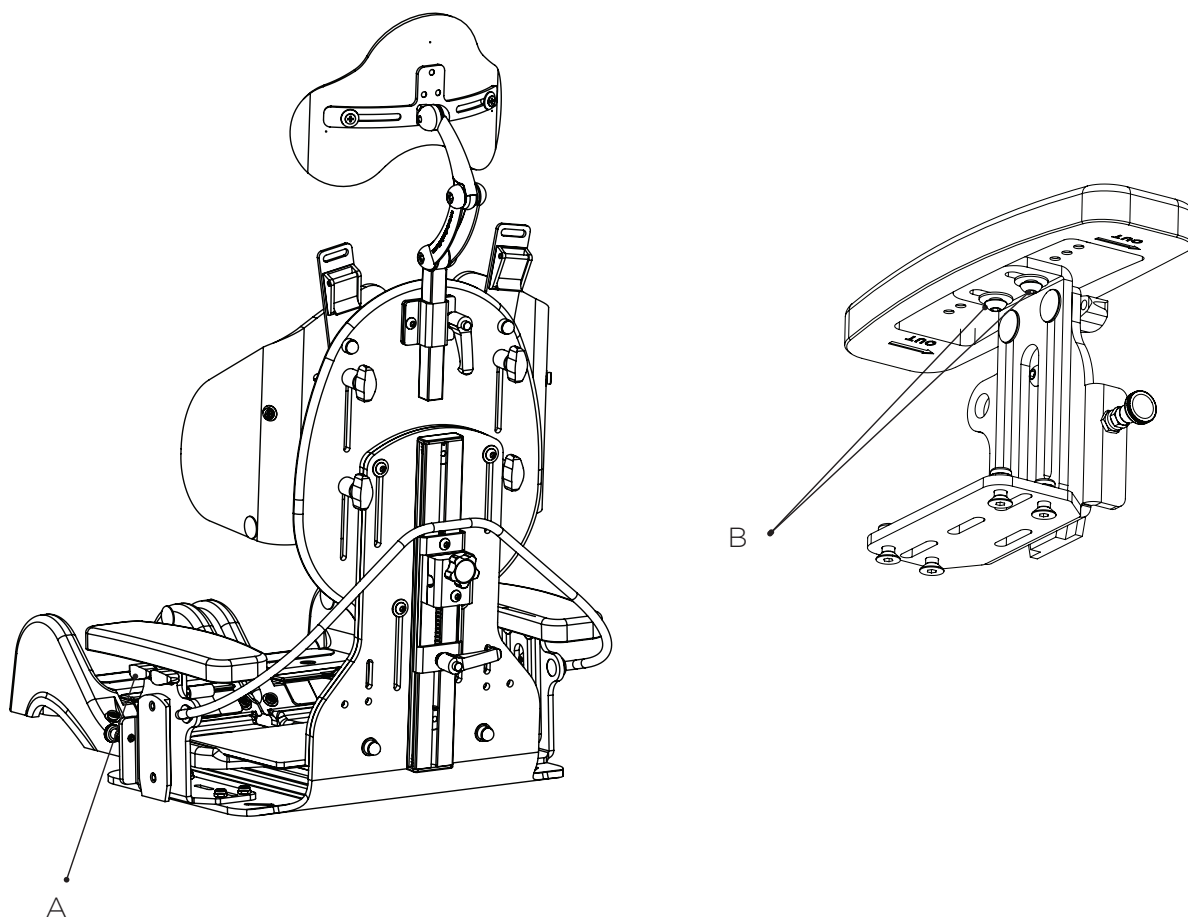
To adjust the height of the armrest, loosen the lever handle (A) and move the armrest to the desired height, then tighten lever handle (A).

Angle adjustment up/down

To adjust the angle of the armrest, loosen the lever handle (A) and move the armrest to the desired angle, then tighten lever handle (A).

Lateral adjustment angle

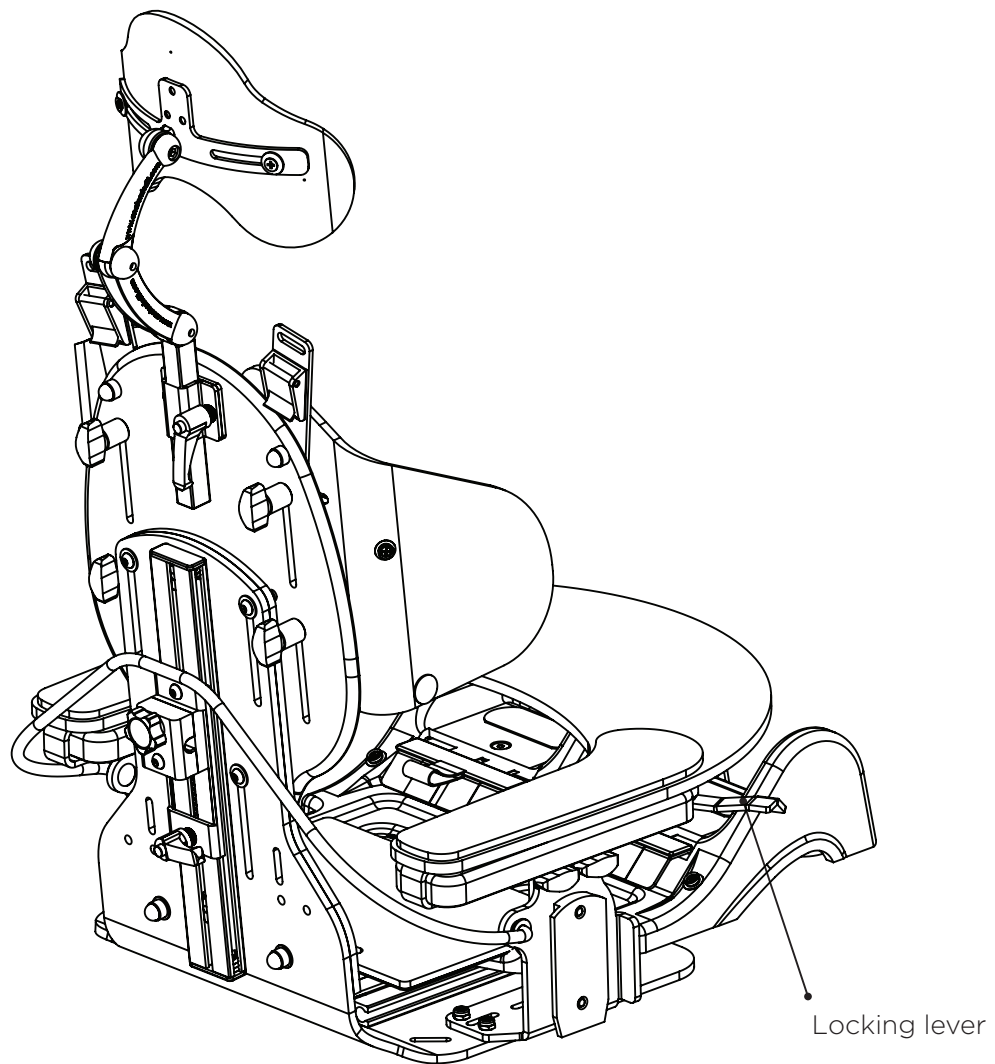
To adjust the lateral angle of the armrest, loosen the screw (B) and move the armrest to the desired angle. Then tighten the screw (A).



Table, solid

Mounting the table

Put the table on the armrest plates and then rotate the locking lever of the table into position below the armrest plate. The locking lever must be rotated until it is inside the rim of the raised armrest plate.



Mounting on the Pengy underframe

Mounting on the Pengy underframe

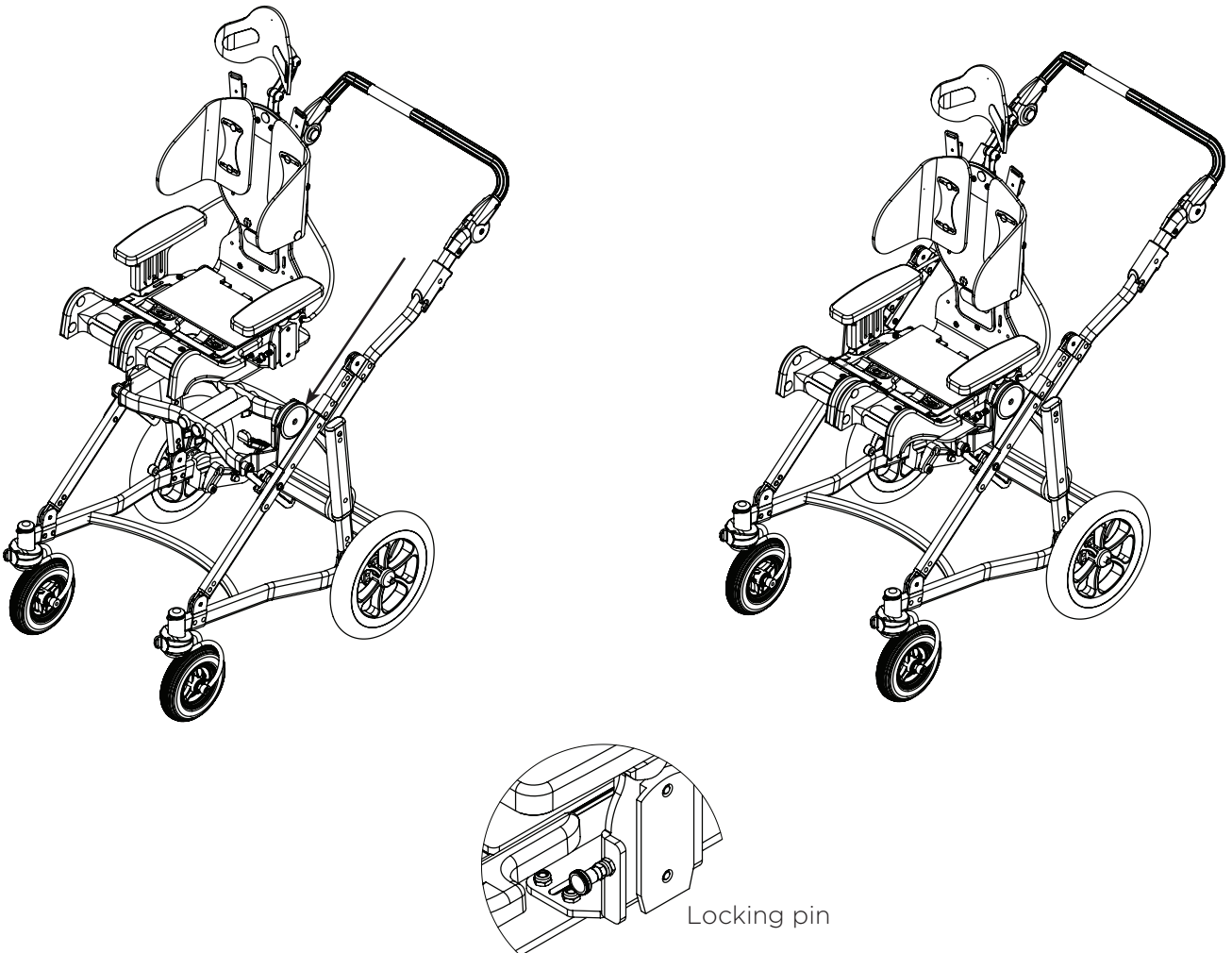
Hold the Pengy seat in the armrests and guide the seat towards the lines as the picture shows. Note! The spreader must always be in the locked position while using the seat.

Unmount the Pengy seat from the Pengy underframe

To unmount the Pengy seat from Pengy underframe, first loosen the locking pin (A) by pulling it out and turning it a half turn. When the locking pin is loosened, lift the armrests upwards.

Note!

The pin should always be locked in position when the seat is used.



Customer service

Scandinavia

SE

Anatomic SITT AB

Box 6137, SE-600 06 Norrköping
Terminalgatan 1, SE-602 29 Norrköping
Tel. +46 11 161800, Fax +46 11 162005
Email info@anatomicstitt.com

DK

Anatomic SITT A/S

Viengevej 4, DK-8240 Risskov
Tel. +45 861 701 74, Fax +45 861 701 75
Email a-sitt@anatomic-sitt.dk

NO

Bardum AS

Håndverksveien 8, 1405 Langhus, Norge
Tel: +47 64 91 80 60, Fax: +47 64 91 80 66

FI

Handico Finland OY

Turkkirata 28, 33960 Pirkkala
Tel. +358 331 222 700, Fax +358 331 222 710
Email handico@handico.fi

Europe

NL

Anatomic SITT Nederland BV

Postbus 6027, 4000 HA TIEL
Tel. +31 344 63 45 40, Fax +31 344 62 33 61
Email informatie@anatomicstitt.com

MLT

Be Independent Ltd

St Luke's Road G'Mangia PTA MLT-1027
Tel. +356 214 662 66, Fax +356 214 656 70

GBR

Consolor Ltd Unit A3

The Forelle Centre, Black Moor Road, Ebblake
Industrial Estate, Verwood, Dorset, BH31 6BB
Tel. +44 120 282 76 50, Fax +44 133 273 02 33

GR

HandiTech Scandinavian Reha Aids Center

11 G Seferi Str. GR-542 50 Thessaloniki
Tel. +302 310 324 114, Fax +302 310 324 054
Email info@handitech.gr

GR

Able Tools (Greece)

149K Strovoulou Avenue, Strovols, Nicosia, 2048 Cyprus
Tel: +357 22 250 115

CY

Able Tools (Cyprus)

149K Strovoulou Avenue, Strovols, Nicosia, 2048 Cyprus
Tel: +357 22 250 115. Fax: +357 22 250 116

EST

Invaru Ltd

Peterburi tee 14A, EST-114 11 Tallin
Tel. +372 621 25 82, Fax +372 638 08 78

IRL

MMS Medical Ltd

51 Eastgate Drive, Little Island, Cork
Tel. +353 021 461 8000, Fax +353 021 461 8099

PRT

Mobilitec

Rua dos Verdes 123, PRT-4470-658 Pedras
Tel. +351 229 436 130, Fax +351 229 436 139

FR

OX Orthopédix

27 rue François Gillet, FR-42400 St. Chamond
Tel. +33 477 195 994, Fax +33 426 303 789

IT

Creha Distribuzione

Via C. Battisti, 7/A, 22036 Erba (CO)
Tel. +39 314 44 76 744, Fax +39 316 47 04 62

CH

Rehatec AG

Ringstrasse 15, CH-4123 Allschwill
Tel. +41 614 879 911, Fax +41 614 879 910

IS

Stod Hf Stoaekjadmídn

Tronuhraun 8, IS-220 Hafnarfjörður
Tel. +354 565 2885, Fax +354 565 1423

GR

Scan Ideal

28, Tzavela Str. GR-542 49 Thessaloniki
Tel. +302 310 320 150, Fax +302 310 350 151

SVN

Team Nova Reha

Gerecja vas 33, SVN-2288 Hajdina
Tel. +386 278 201 06, Fax +386 278 201 06

ES

Via Libre Fundosa Accesibilidad

Don Ramon de la Cruz 38, ES-28001 MADRID
Tel. +34 911 213 031, Fax +34 911 213 025

Asia, Pacific and Middle East

UAE

Al Safwa Mobility LLC (ASM)

Al Falah Street Harley Davidson, 2001, Abu Dhabi
Tel. +971 264 242 62, Fax +971 264 242 63
Email info@alsafwamobility.ae

NZ

Cubro Rehab

PO Box 9144 Tauranga
Tel: +64 757 78 816. Fax: +64 757 78 827

AUS

Motum

3/224 Cambridge Street, Wembley, WA 6014
Tel: (08) 9381 2087

AUS

Paediatric Mobility Equipment

Po Box 1118, Young, AUS-NSW259
Tel. +61 1300 131 884, Fax +61 1300 884 010
Email sales@paedmobility.com.au

ISR

Special needs for Special children

48 Mordey Hagetaot St. Beer Sheva, ISR-84840
Tel. +972 8 62 875 85, Fax +972 862 819 61

MYS

The Gym & Care

1F-23 & 24, IOI Business Park, MYS-47100 Puchong
Tel. +603 8070 9166, Fax +603 8073 9166
Email info@gymncare.com

Maintenance instructions

Service intervals

In order for the device to work properly, regular service and inspection must be performed. The need for service depends on frequency of use and wear. Check all moving parts and fasteners for wear. Service should always be performed by professional and qualified personnel. If you are unsure, please feel free to contact Anatomic SITT AB.

Cleaning and washing instructions

Plastic and metal parts can be wiped off with a damp cloth, or washed with antibacterial liquid or similar. Think green, think about the environment! Use biodegradable detergents.

Cushions, fabrics and belt cushions are washed in 60° delicates and may not be tumbled but can be dried in a drying cabinet. Follow the directions on the respective laundry label. The same washing rules applies to positioning harnesses and hip belts from Anatomic SITT AB.

Check the condition regularly and perform maintenance when necessary.

Tools

4 mm hexagon key is included to make adjustments.

Warranty

1 year against manufacturing defects. For more detailed information about the warranty we provide, see page 15 of this manual.

Spare parts

For the CE marking of the Zitzi Pengy to be valid, the seating system may only be fitted with spare parts delivered by Anatomic SITT AB.

Reconditioning

Reconditioning of the seating system may only be made with original parts from Anatomic SITT AB.



Note!

Always check that the device is not customized when reconditioning, before it is sent to new users.

Marking

Zitzi Pengy and its accessories are CE marked products. A unique serial number is located on a label placed under the activation housing. This serial number should be quoted in any correspondence regarding the product.

Recycling

A used part or product should be dismantled and discarded. The parts should be separated by material type, metal, plastic and combustibles (textiles).

Summary and follow-ups

Follow-up inspections

Continuously perform the follow-ups specified in each point. You should check the following points every time the patient uses the seating system.

- Continue to regularly perform the follow-ups.
- Regularly examine that all the screws are securely locked.
- Regularly examine the wear of straps and cushions.
- Do not place the child in the seat until you hear the click sound when you mount the seat in an underframe.
- Do not tilt the seat too much forward when the child is placed in the seat.

Adaptation and customization

Guidelines and recommendations

Every time the Pengy is altered in some way, an assessment has to be made to determine if it is an adaptation or a customization.

An adaptation is any change made in comprehension of the CE mark. All other changes are customizations. Adaptations must only be made by a person deemed to be qualified for the task and should always be made in a professional manner. The CE mark means that the product fulfils all of the essential European safety requirements.

Note that a risk assessment always should be done for an adaptation as well as for a customization of a medical aid. The product must never become dangerous to use after adaptation.

The product should be fitted with a note that it is adapted to a specific user, so that it cannot be mistaken for a standard model product.

Terms of sale

Warranty

Warranty against manufacturing errors is valid for one (1) year from delivery date. Warranty is void if the product has been subjected to external factors or rough handling. It's required that the faulty product is returned for us to process a warranty claim. Always attach the packing slip of the original delivery.

Warranty claims

Describe the error and the possible cause for this as thoroughly as possible. Claim repairs or possible replacement under warranty. Always attach a copy of the invoice and state that the product should be returned to you after repairs. Provide a shipping address, a contact person and a phone number.

Make sure that you pack the product well to protect it from shocks during the transportation. Note the shipping number in your documentation. This is so that you can track the shipment should anything occur during transport.

Returning products

In the event of faulty orders or deliveries, the products should be returned within 20 days from delivery. Always attach a copy of both the packing slip and the invoice. Provide your reason for returning the products.

Make sure that you pack the product well to protect it from shocks during the transportation. Note the shipping number in your documentation. This is so that you can track the shipment should anything occur during transport.

For products returned more than 20 days from delivery

a refund is made of 80% of the invoice value

For products returned more than 60 days from delivery

a refund is made of 60% of the invoice value

For products returned more than 150 days from delivery

a refund is made of 40% of the invoice value

For products returned more than 360 days from delivery

no refund is made for the products

⚠ Customized products cannot be returned

SE

Anatomic SITT AB (manufacturer)

Box 6137, SE-600 06 Norrköping, Sweden

Tel +46 11 16 18 00

Fax +46 11 16 20 05

Support +46 11 16 18 05

Street address

Terminalgatan 1, SE-603 61 Norrköping, Sweden

DK

Anatomic SITT A/S

Viengevej 4, 8240 Risskov, Denmark

Tel +45 86 17 01 74

Fax +45 86 17 01 75

NO

Bardum AS

Håndverksveien 8, 1405 Langhus, Norge

Tel: +47 64 91 80 60

Fax: +47 64 91 80 66

NL

Anatomic SITT Nederland BV

Postbus 6027 / 4000 HA Tiel, Netherlands

Tel +31 344 63 45 40

Fax +31 344 62 33 61

World wide

anatomicsitt.com

info@anatomicsitt.com

facebook.com/anatomicsitt

youtube.com/anatomicsitt

