

# User Manual Motion Detector Infra Garde 180 UP

## Warning!

- Any work on the main power supply must only be completed by trained specialists.
- The product must be installed in accordance with installation guidelines/standards specific to your country.
- Disconnect the 230V power supply before starting the installation process.
- As a precautionary measure, the power supply of the light should always be fitted with a (250VAC, 10A) type C fuse in accordance with EN60898-1.
- Faulty lamps may cause a short-circuit and thereby permanently damage the device.
- Disconnect power prior to replacing a lamp.
- To ensure the operational reliability of the detector, keep a minimal distance of 1m to lamps installed on the same height level.
- Lamps installed underneath the detector or in the detection area may disturb the functionality. Keep the detector away from heating devices.
- In case of malfunction, such as continuous lighting, or false triggering please refer to the troubleshooting section on this page.

## Function

The detector reacts to the motion of heat (positive or negative in relation to the environment). If a person approaches the monitored area, the device will turn on the connected light automatically. If the person leaves the area, the light will be switched off after the preset duration (short impulse, 7 sec. to 12 min.).

The connected light will be turned on only when the ambient light value is below the adjusted value.

## Use

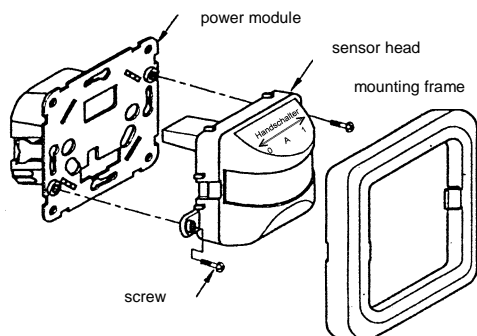
The 180° detection angle allows for a detection area lateral to the mounting wall and is therefore ideally suited for installation in corridors and hallways.

## Installation

The device replaces a conventional switch for indoor mounting. The mounting level should be between 80 and 150 cm. Wire the detector as follows:

**phase / outer conductor (L) brown;**  
**neutral-/ neutral conductor (N) blue;**  
**switching output / switched phase/ outer conductor (L') red.**

Screw and tighten the detector to the ceiling. The device is operational after approx. 1 minute from connecting to mains voltage.



## TIME

The timer determines for how long the lights will remain on following the last movement in the detection area. Choices are from approx. 7 sec. to 12 min. Switch the short impulse function (1 sec. / 9 sec. pause) on or off at the back of the sensor head.

## LUX (twilight sensor)

The twilight sensor regulates the operating threshold (light value) of the detector determining when the device should be activated.

## METER (sensitivity/detection range)

Detection range adjustment.

## Connecting electrical loads

High inrush currents will considerably shorten the lifetime of the detector's in-built relay. Please verify the technical data provided by the lamp or luminaires manufacturer concerning inrush currents, specifically with compact fluorescent, fluorescent lamps, electronic ballast, etc. in order not to overload the internal relay.

**We recommend connecting a maximum of 3 to 4 motion detectors in parallel. Loads such as electronic ballast (e.g. for fluorescent lamps) and compact fluorescent lamps, should be switched via external conductor, direct switching is not recommended!**

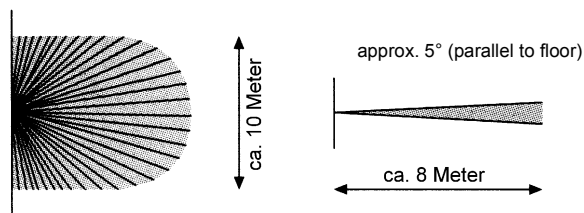
## Technical Data

Nominal power: 230V/50Hz  
 Switching power: 1000W / 5A max. (cos φ = 1)  
 250VA / 1.25A inductive (cos φ = 0,5)  
 Time adjustment: approx. 7 sec. to 12 min.  
 Twilight switch: approx. 5-1000 Lux

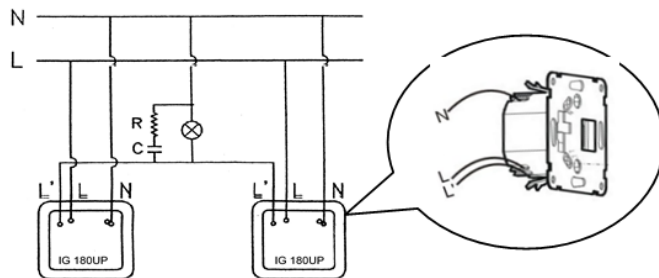
Detection angle: 180°  
 Range: 8 m frontal, 5 m lateral  
 Dimensions: 81x81x30 mm (visible)  
 IP protection: IP20 indoors / class II

## Detection angle 180°

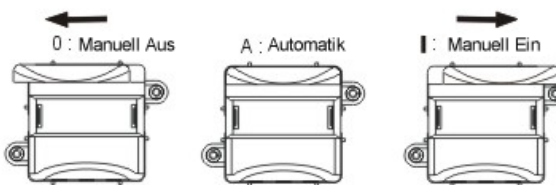
The wide 180° detection angle allow for an optimum functionality. The frontal and lateral detection range are 8 meters and 5 meters respectively.



## Wiring diagram



## Manual switch



Not unlike a regular switch, the lighting can be permanently turned ON or OFF using the manual switch. The middle position will control lighting automatically.

**Ensure to set manual switch to manual OFF before changing luminaires!**

## Troubleshooting

### error

light does not turn on:

### cause/amendment

- twilight adjustment value too low
- connected lamp defective
- check mains power / fuses

detector triggers without reason/light never turns off:

- check detection area for potential reason causes of false triggering: draught, animals, heating, etc. may all provoke faulty switching!
- detector is too sensitive, reduce the detection range sensitivity, or cover disturbing segments on the lens by adhesive tape.
- check distances to lamps (heat reflection or direct light influence)
- connect RC element in parallel to transformers, relays, electric ballast
- twilight adjustment set too high (lower the value).

turns the light on during daytime

