



## PANEL & FLANGE FANS

*better AIRFLOW  
by DESIGN™*



### AFK DIRECT DRIVE FLANGE FANS

- Airfoil adjustable pitch cast aluminum impeller
- Superior performance and sound characteristics
- Advanced computer selection program
- Unit can be built for supply or exhaust configurations
- Heavy gauge steel with baked polyester coating
- GRP [polypropylene] blades available
- Ideal for OEM use or as replacement fans
- Capacities to 34,000 cfm from stock components

# AFK FLANGE FAN

## STANDARD FEATURES & BENEFITS

- Airfoil adjustable pitch cast aluminum impeller
- Unit can be built for supply or exhaust configurations
- Superior performance and sound characteristics
- Heavy gauge steel with baked polyester coating
- GRP (polypropylene) blades available
- Ideal for OEM applications or new construction
- Fully reversible design option available
- Advanced computerized selection program
- Sizes range from 12" to 42"
- Capacities to 34,000 cfm

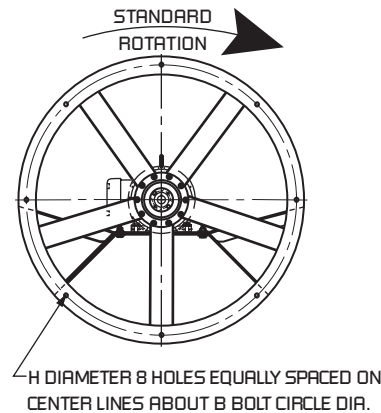
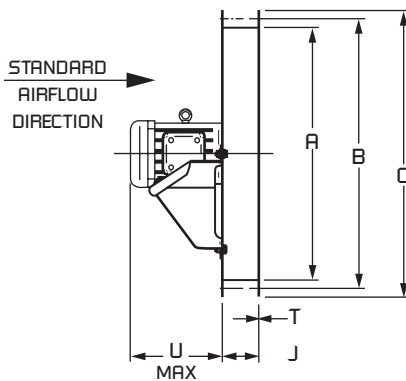


## APPLICATIONS

- General ventilation
- Renewable energy
- OEM condensing units
- Marine / Shipboard applications
- Industrial drying
- Circulation / Recirculation units

## ACCESSORIES / OPTIONS

- Mounting panel
- Motor side guard
- Propeller side guard
- Explosion proof motors
- Special duty motors
- AMCA spark resistant construction
- Reverse flow construction
- Special materials
- Special coatings
- Housing yoke with mounting bracket



MODEL	DIMENSIONS IN INCHES*							
	A	B	C	H	J	T	U MAX	MAX MTR FRAME
AFK-12	12.2	13.8	15.0	0.44	3.0	0.06	11.5	143/5T
AFK-14	14.2	16.3	17.5	0.44	3.0	0.06	11.5	143/5T
AFK-16	16.2	18.0	19.5	0.44	4.0	0.08	11.5	143/5T
AFK-18	18.2	20.8	22.0	0.44	4.0	0.08	11.5	143/5T
AFK-21	21.2	23.3	24.5	0.44	4.0	0.08	11.5	143/5T
AFK-24	24.2	26.3	27.5	0.44	4.0	0.08	11.5	143/5T
AFK-27	27.2	29.3	31.0	0.44	4.0	0.08	13.3	182/4T
AFK-30	30.2	32.6	34.5	0.44	4.0	0.11	16.5	213/5T
AFK-32	32.2	34.4	36.5	0.44	4.0	0.11	16.5	213/5T
AFK-36	36.2	38.4	40.5	0.44	5.0	0.11	16.5	213/5T
AFK-42	42.2	44.6	46.5	0.44	5.0	0.11	21.5	254/6T

\*DO NOT USE FOR CONSTRUCTION

CONSULT FACTORY FOR CERTIFIED PRINTS

# AFK FLANGE FAN

## PRODUCT SPECIFICATION GUIDE

### 1.0 GENERAL

- A. Fans shall be model AFK Flange Fans, as manufactured by Continental Fan Manufacturing Inc., of Buffalo, NY, and of the size, capacity and flow direction as indicated on the drawings and fan schedule.
- B. Fans shall be rated and tested in accordance with ANSI/AMCA Standard 210-99.
- C. All motors and electrical components shall conform to NEMA standards.

### 2.0 FAN HOUSING

- A. Fan housing shall be constructed of rolled and continuously welded heavy gauge steel.
- B. Inlet and outlet flanges shall be integrally formed to ensure concentricity and alignment of the flanges.
- C. Adjustable motor base shall be constructed from heavy gauge steel and bolted to the flange.
- D. Fan housing and motor base shall be coated with baked polyester powder coat finish.

### 3.0 FAN IMPELLER

- A. Axial impeller shall be constructed of spark resistant die cast aluminum airfoil shaped blades secured to a die cast aluminum hub assembly.
- B. Axial impeller blades shall be of adjustable pitch construction with multiple hub-to-blade arrangements to maximize air performance. Blade pitch angles shall be factory set.
- C. Axial impeller hub shall be designed to incorporate a split taper bushing, and be keyed directly to drive shaft.

### 4.0 FAN MOTOR AND DRIVE

- A. Motor shall be TEFC industrial duty and conform to NEMA standards.
- B. Motor shall be of voltage, horsepower, RPM and enclosure as indicated on the fan schedule.

### 5.0 OPTIONAL FAN ACCESSORIES

- A. Where indicated, fan shall be provided with the following optional accessories:
  - Mounting panel
  - AMCA spark resistant construction
  - Motor side guard
  - Reverse flow construction
  - Propeller side guard
  - Special materials
  - Special coatings
  - Housing yoke with mounting bracket
  - Motors
    - Explosion proof
    - Special duty

### 6.0 FAN TESTING

- A. Axial impeller shall be balanced and mounted in fan assembly.
- B. Fan assembly shall be run and tested prior to shipment.
- C. A test report shall be maintained on file for each individual fan.

## **Industrial Fan Division**

The Industrial Fan Division offers superbly crafted industrial fans and ventilators, expertly supported by a network of independent manufacturers' representatives.



*Panel Fans*

*Centrifugal Fans*

*Flange Fans*

*In-line Fans*

*Roof Ventilators*

*Iris Dampers*

## **OEM Fan Division**

The OEM Fan Division works closely with original equipment manufacturers to meet their design requirements, offering in-stock fan components, 3D models and custom fan solutions.



*Cabinet Cooling Fans*

*Motorized Axials*

*Motorized Impellers*

*Centrifugal Fans*

*Axial Impellers*

*Centrifugal Impellers*

## **Wholesale Products Division**

The Wholesale Products Division offers a superior line of in-stock commercial and residential ventilation products, available from wholesalers and distributors across North America.



*Bathroom Fans*

*Air Purification Systems*

*In-Line Duct Fans*

*External Mount Fans*

*Radial Blade Blowers*

*Exhaust Fans*

**USA**

[www.continentalfan.com](http://www.continentalfan.com)

Continental Fan Manufacturing Inc.  
203 Eggert Road, Buffalo, NY 14215  
Tel: (716) 842 0670 Fax: (716) 842 0611

**Canada**

[www.aeroflo.com](http://www.aeroflo.com)

Aeroflo Inc.  
12-205 Matheson Blvd. E., Mississauga, ON L4Z 3E3  
Tel: (905) 890 6192 Fax: (905) 890 6193

**AFK DIRECT DRIVE FLANGE FANS**

