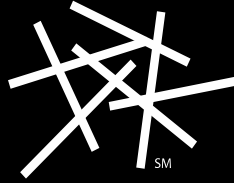


hayneedle



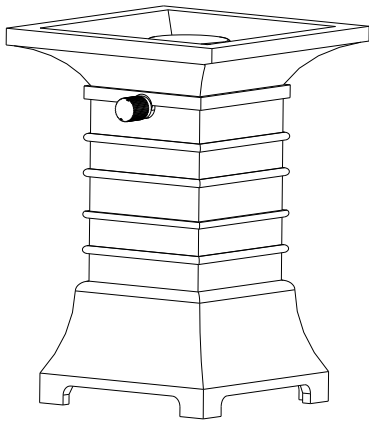
ITEM NAME:Tahiti Wicker Pattern TableTop Propane Fire Bowl

SKU: ALZ867-1



User's Manual

▲ READ BEFORE USE!



▲ WARNING

USE PROPANE GAS ONLY!

-Do not store or use gasoline or other flammable vapors and liquids in the vicinity of this or any other appliance. - Service must be performed by a qualified installer,service agency or the gas supplier.

- WHAT TO DO IF YOU SMELL GAS:

• Immediately shut off gas supply at tank.

--CAUTION--

During Ignition procedure, one should NEVER get his /her face close to and or above the Burner.

In case of the unnoticed flame may suddenly be lit up and causing injury.

For assistance with assembly, please contact Hayneedle Customer Care Center 1-888-880-4884

WARNING



**For Outdoor Use Only!
Use Propane Only !**



Propane cylinders sold separately



WARNING:

Improper installation, adjustment,alteration,service or maintenance can cause injury or property damage. Read the owner's manual thoroughly before installing or servicing this equipment.if the information in this manual is not followed exactly, a fire or explosion may result causing property damage, personal injury or loss of life.



WARNING

The propane cylinder must be disconnected when this firebow is not in use.



WARNING

For use with cylinders marked PROPANE only.DO NOT connect to a remote gas supply.



If the firebowl is stored indoors, deatch and leave propane cylinder outdoors.



WARNING:

This firebow must be attended at all times!



DANGER

Failure to follow the Dangers, Warnings and Cautions contained in this Owner's Manual may result in serious bodily injury or death, or a fire or an explosion causing damage to property.



WARNING

- *Do not use this fire pit for cooking.
- *Do not burn any other materials than are supplied with and intended for use in this firebowl.
- *Do not pour water into fireplace.
- *The installation of this product must conform with local codes or in the absence of local codes, with either the National Fuel Gas Code, ANSI Z223.1/NFPA 54, or CAN/CGA-B149.1, National Gas and Propane Installation Code.
- *Do not use this firebowl if any part has been under water.
- *Do not store a spare or disconnected propane cylinder under or near this firebowl
- *After a period of storage, and/or non use, the propane firebowl should be checked for gas leaks and burner obstructions before use.
- *Do not operate the propane firebowl if there is a gas leak present.
- *Never use a flame to check for gas leaks.
- *Combustible materials should never be within 48 inches of the top, back or sides of your propane firebowl.
- *Do not put any other firebowl cover or anything flammable on, or beneath the firebowl.
- *The propane firebowl should never be used by children. Children must be supervised when they are anywhere near the appliance.
- *Users should be alerted to the hazards of high temperatures and keep a safe distance to avoid burning or clothing ignition.
- *Pay attention when operating the firebowl. It is hot in use and should never be left unattended. Do not touch it while in operation.
- *Should fire go out while burning, turn the gas valve off. Follow the instruction and wait five minutes before attempting to relight.
- *Never use charcoal or any other solid fuel in the firebowl. Never parch cloth or other flammable material on or near the firebowl.
- *Never lean over the open firebowl or place hands or fingers on the upper portion of an operational unit.
- *Keep ventilation openings in cylinder enclosure (FIREBOWL BODY) free and clear of debris.
- *Do not rest feet on the firebowl.
- *Do not enlarge valve orifices or burner ports when cleaning the valve or burner.
- *Propane gas is not natural gas. Only use propane for this firebowl.
- *The conversion or attempted use of natural gas in a propane unit is dangerous.
- *Do not use this firebowl on vehicles or boats. Always operate the appliance on flat ground outdoors.
- *Keep any electrical supply cord and the fuel supply hose away from any heated surfaces.
- *Do not use this firebowl unless all parts are in place.
- *Do not rest feet on the fireplace.
- *Cylinder supply system must be arranged for vapor withdrawal
- *Liquefied petroleum gas is not natural gas. Only use propane for this fire pit.
- *This appliance shall be used only outdoors in a well-ventilated space and shall not be used in a building, garage or any other enclosed area.
- *Any guard or other protective device removed for servicing the appliance must be replaced prior to operating the appliance.
- *Young children should be carefully supervised when they are in the area of the appliance.
- *Clothing or other flammable material should not be hung from the appliance, or placed on or near the appliance.
- *Installation and repair should be done by a qualified service person. The appliance should be inspected before use and at least annually by a qualified service person. More frequent cleaning may be required as necessary. It is imperative that control compartment, burners and circulating air passageways of the appliance be kept clean.

FOR PROPANE GAS UNITS

*Do not attempt to disconnect any gas fitting while your firebowl is in operation.

*A dented or rusty propane cylinder may be hazardous and should be checked by your gas supplier prior to use.

*Do not use a propane cylinder with a damaged valve and any other worn out parts

*Transit and store the empty gas cylinder carefully and properly

*If you see, smell or hear the hiss of escaping gas from the propane cylinder:

- 1 Disconnect propane gas cylinder.
2. Do not attempt to correct the problem yourself.
3. Get to your gas supplier and/ or the fire department for help.

*Any guard or other protective device removed for servicing this fire bowl must be replaced prior to operating this appliance.

*The maximum supply pressure is the bottle pressure.

*This appliance is designed for use with a 16.40Z(1lb)propane gas cylinder(disposable).The propane cylinder must be constructed and marked in accordance with the specifications for Gas cylinders of the U.S.Department of Transportation(DOT)or the National standards of Canada, CAN/CSA-B339,cylinders, Spheres and Tubes for Transportation of Dangerous Goods; and Commission, as applicable.

*Cylinders must be stored outdoors in well-ventilated area out of the reach of children.

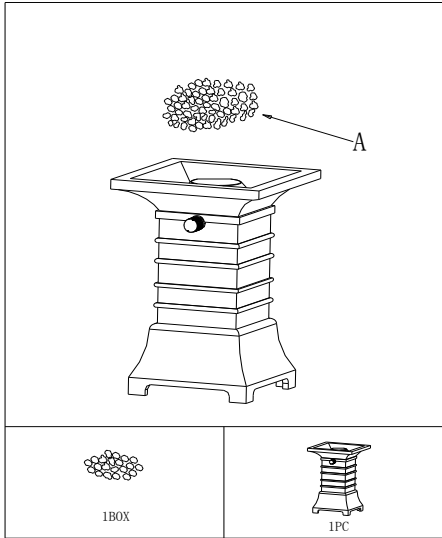
*Disconnect cylinders must have valve caps tightly installed and must not be stored in a building or any other enclosed area.

Accessories



Using Warning for Fire Glass

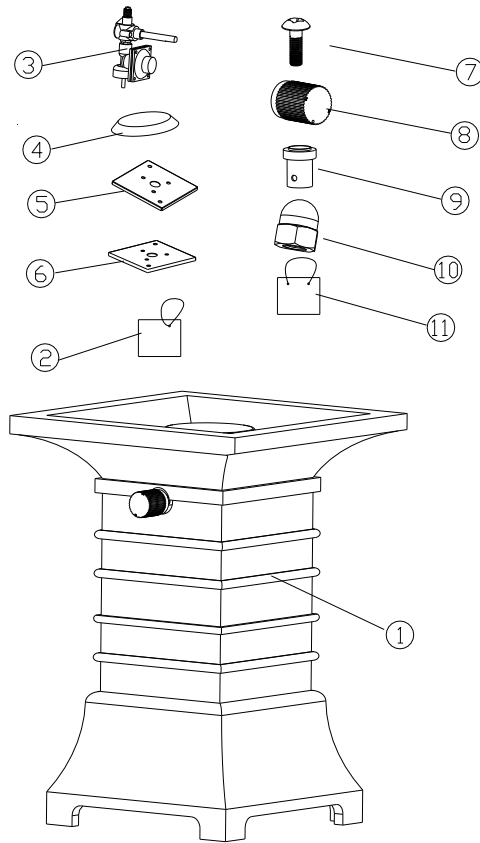
Warning!
 Fireglass could hit somebody's face or eyes during initial start of this unit, so please keep away from the firebowl for the first 20 minutes after it has been ignited.



ITEM	DESCRIPTION	QTY
A	Fire Glass	1
B	Fire Bowl	1

1BOX

1PC



Parts/hardware List

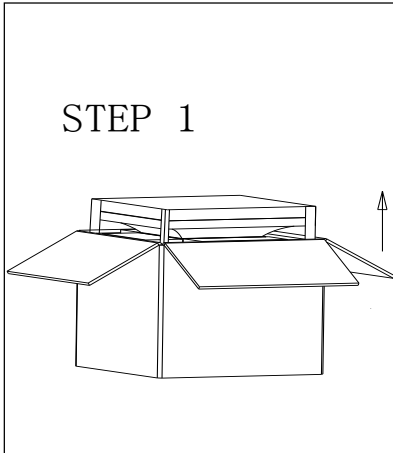
ITEM NO.	SPECIFICATION	QTY	PARTS NO.
1	Body	1	HFP-002-03-1
2	Warning Plate	1	HFP-002-03-2
3	Control Valve	1	HFP-002-03-3
4	Burner	1	HFP-002-03-4
5	Firepan	1	HFP-002-03-5
6	Heat Shield	1	HFP-002-03-6
7	M15 Screw	3	HFP-002-03-7
8	Knob	1	HFP-002-03-8
9	Venturi Tube	1	HFP-002-03-9
10	M6 Cap	2	HFP-002-03-10
11	ETL Marking	1	HFP-002-03-11

Burner Lighting and Leak Test Instructions

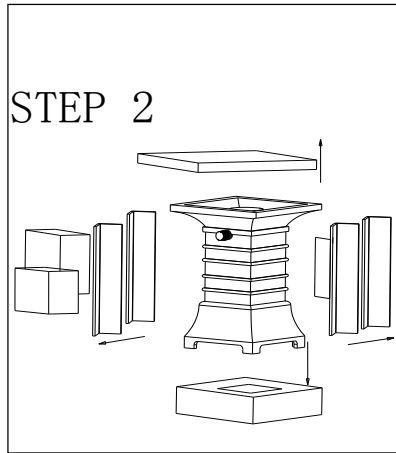
* Please keep this owner's manual for future reference.

*If you have opened the carton and removed all packages, please disregard STEPS 1 and 2 and go to STEP 3 directly.

STEP 1. Open the carton and remove the foam.



STEP 2. Carefully remove the heater and the small box containing the fireglass from the carton. Cut off and remove plastic bag around the unit.

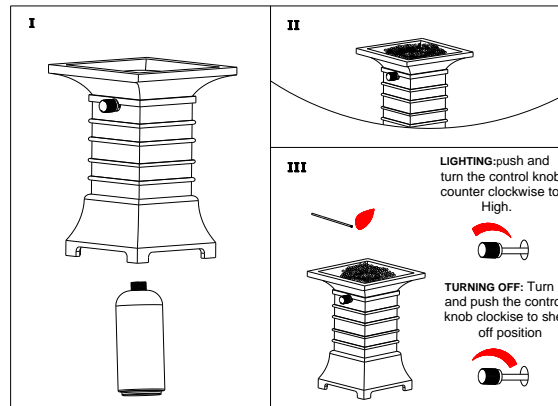


STEP 3.

(I) Make sure the gas valve is turned "OFF" before assembling. Check each part before using the product. To set the gas tank in the firebowl, screw it to the gas valve inlet fitting inside the firebowl(See Figure I.)

(II) Place the fireglass on the burner evenly.(See Figure II).

(III) After assembling the gas tank, push and turn the Control Knob counter-clockwise, then use a match or a lighter to light the firebowl. To adjust the flame, turn the Control Knob. push and turn the Control Knob clockwise to turn the flame off.(See Figure III.)



STEP 4. LEAK TEST

Perform leak test in a well ventilated area outside and where no source of spark can occur.

Connect cylinder to gas valve. Turn the on/off valve at the unit to the "off" position to pressurize the control system. Use a soapy water solution to check all the connections leaks before attempting to light the appliance. If a leak is found or you smell gas, disconnect cylinder and turn valve off and do not use the appliance until repairs can be made.

TIPS: Before Beginning ● Read the instructions thoroughly.

- Check and make sure that all parts are present.
- For future reference, save this owner's manual.

Caution:

***if the burner does not ignite with the valve open, gas will continue to flow out of the burner and could accidentally ignite with risk of injury.**

TO LIGHT

Before each use, inspect all parts.

*After assembling the gas cylinder, push and turn the Control Knob counter-clockwise, then use a match or a lighter to light the firebowl. To adjust the flame to 7.5" at most according to user's requirement, turn the Control Knob. Push and turn the Control Knob clockwise to turn the flame off.



TO EXTINGUISH

- ※ Push the Control Knob and turn clockwise to the "OFF" position.
- ※ Disconnect propane cylinder to close the gas supply if not for use in a long time

ROUTINE CARE

- ※ Keep your firebowl free and clear from combustible materials.
- ※ Visually inspect burner from obstructions, keep tank enclosure free and clear from debris.
- ※ After the burner and fireglass are completely cooled down, use a soft brush to get rid of the mild stains, loose dirt and soil. Wipe with a soft cloth.

STUBBORN STAINS

- ※ Stubborn stains, discoloration and possibly rust pitting can occur from exposure to harsh outdoor conditions.
- ※ Be careful not let any powder or solvent come in contact with painted or plastic components as damage may occur.
- ※ Use Manufacturer approved or supplied replacement parts and accessories only. Otherwise may void the warranty of this product and result in a hazardous condition.

MAINTENANCE

- ※ Store the firebowl in a cool dry place away from direct sunlight.
- ※ Use Manufacturer approved or supplied replacement parts and accessories only. Otherwise may void the warranty of this product and result in a hazardous condition.
- ※ If replacement parts are needed, please contact Hayneedle, Inc. Customer Service Center at 1.888.880.4884



For assistance with assembly, please contact customer service
1-888-880-4884