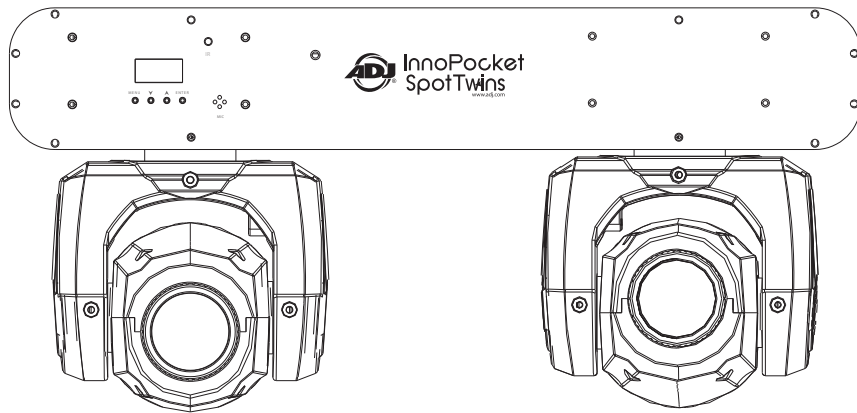




INNO POCKET SPOT TWINS



©2014 ADJ Products, LLC all rights reserved. Information, specifications, diagrams, images, and instructions herein are subject to change without notice. ADJ Products, LLC logo and identifying product names and numbers herein are trademarks of ADJ Products, LLC. Copyright protection claimed includes all forms and matters of copyrightable materials and information now allowed by statutory or judicial law or hereinafter granted. Product names used in this document may be trademarks or registered trademarks of their respective companies and are hereby acknowledged. All non-ADJ Products, LLC brands and product names are trademarks or registered trademarks of their respective companies.

ADJ Products, LLC and all affiliated companies hereby disclaim any and all liabilities for property, equipment, building, and electrical damages, injuries to any persons, and direct or indirect economic loss associated with the use or reliance of any information contained within this document, and/or as a result of the improper, unsafe, insufficient and negligent assembly, installation, rigging, and operation of this product.

User Instructions

Europe Energy Saving Notice
Energy Saving Matters (EuP 2009/125/EC)
Saving electric energy is a key to help protecting the environment. Please turn off all electrical products when they are not in use. To avoid power consumption in idle mode, disconnect all electrical equipment from power when not in use. Thank you!

Inno Pocket Spot Twins

General Information

Unpacking: Thank you for purchasing the Inno Pocket Spot Twins by ADJ Products, LLC. Every Inno Pocket Spot Twins has been thoroughly tested and has been shipped in perfect operating condition. Carefully check the shipping carton for damage that may have occurred during shipping. If the carton appears to be damaged, carefully inspect your fixture for any damage and be sure all equipment necessary to operate the unit has arrived intact. In the event damage has been found or parts are missing, please contact our toll free customer support number for further instructions. Please do not return this unit to your dealer without contacting customer support first.

Introduction: The Inno Pocket Spot Twins is a DMX intelligent, moving head, mini LED fixture. The Inno Pocket Spot Twins can operate as a stand alone fixture or in a Master/Slave configuration. The Inno Pocket Spot Twins has three operating modes; sound active mode, show mode, or DMX controlled. This fixture is suitable for theaters, studios, retail stores, and other similar locations. *For best results use fog or special effects smoke to enhance the beams projections.*

Customer Support: ADJ Products, LLC provides a toll free customer support line, to provide help and to answer any question should you encounter problems during your set up or initial operation. You may also visit us on the web at www.adj.com for any comments or suggestions. Service Hours are Monday through Friday 8:00 a.m. to 4:30 p.m. Pacific Standard Time.

Voice: (800) 322-6337

Fax: (323) 582-2941

E-mail: support@americandj.com

Warning! To prevent or reduce the risk of electrical shock or fire, do not expose this unit to rain or moisture.

Warning! *This may cause severe eye damage. Avoid looking directly into the light source at all times!*

Inno Pocket Spot Twins

General Instructions

To optimize the performance of this product, please read these operating instructions carefully to familiarize yourself with the basic operations of this unit. These instructions contain important safety information regarding the use and maintenance of this unit. Please keep this manual with the unit, for future reference.

Inno Pocket Spot Twins

Features

- DMX-512 Protocol Compatible (19 DMX Channels or 23 Channels)
- 7 Colors + White
- Fixed Gobo Wheel with 7 Gobos + Spot
- 3 Operating Modes - Sound Active, Show Mode, & DMX Control
- Internal Microphone
- Digital Display for Address and Function Setting
- 4 Preprogrammed Shows
- Daisy Chain Units via Power Cord (See page 30)
- UC-IR Compatible (Not Included)

Inno Pocket Spot Twins

Warranty Registration

The Inno Pocket Spot Twins carries a 2 year (730 days) limited warranty. Please fill out the enclosed warranty card to validate your purchase and warranty. You may also register your product online at www.adjproducts.com. All returned service items whether under warranty or not, must be freight pre-paid and accompany a return authorization (R.A.) number. If the unit is under warranty you must provide a copy of your proof of purchase invoice. Please contact ADJ Products, LLC customer support for a R.A. number.

Inno Pocket Spot Twins

Handling Precautions

Caution! There are no user serviceable parts inside this unit. Do not attempt any repairs yourself, doing so will void your manufactures warranty. In the unlikely event your unit may require service please contact ADJ Products, LLC.

During operation the housing may become extremely hot. Avoid touching the unit with bare hands while in use.

ADJ Products, LLC will not accept any liability for any resulting damages caused by the non-observance of this manual or any unauthorized modification to this unit.

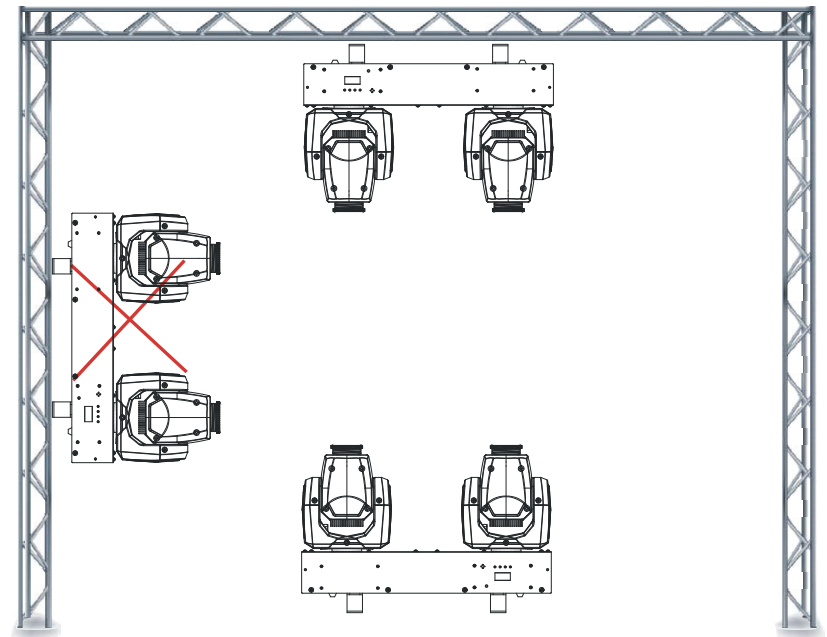
For Your Own Personal Safety, Please Read and Understand This Manual Completely Before You Attempt To Install Or Operate This Unit!

- To reduce the risk of electrical shock or fire, do not expose this unit rain or moisture
- Do not spill water or other liquids into or on to your unit.
- Be sure that the local power outlet match that of the required voltage for your unit.
- Do not attempt to operate this unit if the power cord has been frayed or broken.
- Do not attempt to remove or break off the ground prong from the electrical cord. This prong is used to reduce the risk of electrical shock and fire in case of an internal short.
- Disconnect from main power before making any type of connection.
- Do not remove the cover under any conditions. There are no user serviceable parts inside.
- Never operate this unit when it's cover is removed.
- Always be sure to mount this unit in an area that will allow proper ventilation. Allow about 6" (15cm) between this device and a wall.
- Do not attempt to operate this unit, if it becomes damaged.
- This unit is intended for indoor use only, use of this product outdoors voids all warranties.
- Always mount this unit in safe and stable matter.
- Power-supply cords should be routed so that they are not likely to be walked on or pinched by items placed upon or against them, paying particular attention to cords at plugs, convenience receptacles, and the point where they exit from the appliance.
- Cleaning -The fixture should be cleaned only as recommended by the manufacturer. See page 31 for cleaning details.
- Heat -This fixture should be situated away from heat sources such as radiators, heat registers, stoves, or other appliances (including amplifiers) that produce heat.
- The fixture should be serviced by qualified service personnel when:
 - A. Objects have fallen, or liquid has been spilled into the appliance.
 - B. The appliance has been exposed to rain or water.
 - C. The appliance does not appear to operate normally or exhibits a marked change in performance.

When installing the unit, the trussing or area of installation must be able to hold 10 times the weight without any deformation. When installing the unit must be secured with a secondary safety attachment, e.g. and appropriate safety cable. Never stand directly below the unit when mounting, removing, or servicing the unit.

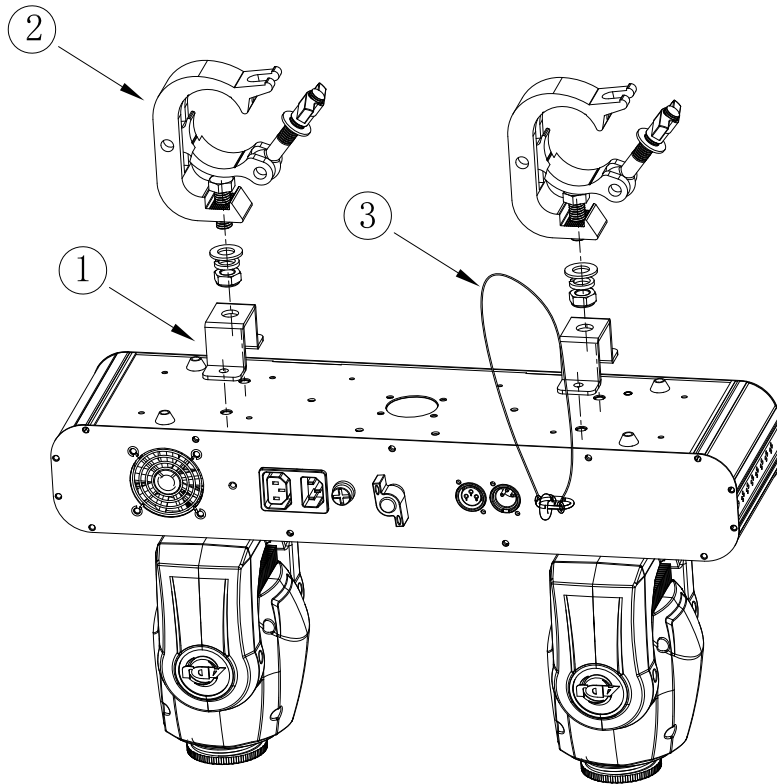
Overhead mounting requires extensive experience, including calculating working load limits, installation material being used, and periodic safety inspection of all installation material and unit. If you lack these qualifications, do not attempt the installation yourself.

The installation should be checked by a skilled person once a year.



The Inno Pocket Spot Twins is fully operational in two different mounting positions, hanging upside-down from a ceiling or set on a flat level surface. To avoid internal damage to the unit, never mount the unit on its side as illustrated above. Be sure this fixture is kept at least 0.5m away from any flammable materials (decoration etc.). Always use and install the supplied safety cable as a safety measure to prevent accidental damage and/or injury in the event the clamp fails (see next page).

NOTICE: The suitable environmental temperature for this lighting fixture is between -25° C to 45° C. Do not place this lighting fixture in an environment where the temperatures are under or above the temperatures stated above. This will allow the fixture to run at its best and help prolong the fixture life.



Attaching Brackets, Clamps, & Safety-Cable: Screw one clamp via a M12 screw and nut to the included bracket. Attach the bracket using the included screws to the bottom of the Inno Pocket Spot Twins. Attach the eyehole screw to the side of the base and pull the safety-cable through the screw and over the trussing system or a safe fixation spot. Insert the end in the carabine and tighten the safety screw.

Power Supply: The ADJ Inno Pocket Spot Twins contains a automatic voltage switch, which will auto sense the voltage when it is plugged into the power source. With this switch there is no need to worry about the correct power voltage, this unit can be plugged in anywhere.

DMX-512: DMX is short for Digital Multiplex. This is a universal protocol used by most lighting and controller manufactures as a form of communication between intelligent fixtures and controllers. A DMX controller sends DMX data instructions from the controller to the fixture. DMX data is sent as serial data that travels from fixture to fixture via the DATA “IN” and DATA “OUT” XLR terminals located on all DMX fixtures (most controllers only have a DATA “OUT” terminal).

DMX Linking: DMX is a language allowing all makes and models of different manufactures to be linked together and operate from a single controller, as long as all fixtures and the controller are DMX compliant. To ensure proper DMX data transmission, when using several DMX fixtures try to use the shortest cable path possible. The order in which fixtures are connected in a DMX line does not influence the DMX addressing. For example; a fixture assigned a DMX address of 1 may be placed anywhere in a DMX line, at the beginning, at the end, or anywhere in the middle. Therefore, the first fixture controlled by the controller could be the last fixture in the chain. When a fixture is assigned a DMX address of 1, the DMX controller knows to send DATA assigned to address 1 to that unit, no matter where it is located in the DMX chain.

Data Cable (DMX Cable) Requirements (For DMX and Master/Slave Operation): The Inno Pocket Spot Twins can be controlled via DMX-512 protocol. The Inno Pocket Spot Twins has two DMX channel modes; 19 channel mode & 23 channel mode. The DMX address is set electronically using the controls on the front panel of the unit. Your unit and your DMX controller require a approved DMX-512 110 Ohm Data cable for data input and data output (Figure 1). We recommend Accu-Cable DMX cables. If you are making your own cables, be sure to use standard 110-120 Ohm



Figure 1

shielded cable (This cable may be purchased at almost all professional sound and lighting stores). Your cables should be made with a male and female XLR connector on either end of the cable. Also remember that DMX cable must be daisy chained and cannot be split.

Notice: Be sure to follow figures two and three when making your own cables. Do not use the ground lug on the XLR connector. Do not connect the cable’s shield conductor to the ground lug or allow the shield conductor to come in contact with the XLR’s outer casing. Grounding the shield could cause a short circuit and erratic behavior.

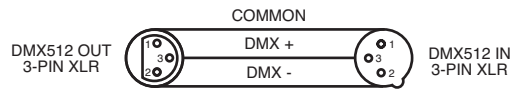


Figure 2

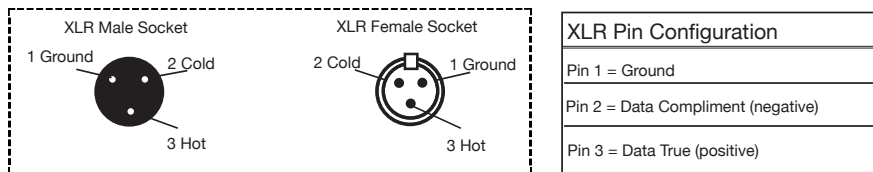


Figure 3

Special Note: Line Termination. When longer runs of cable are used, you may need to use a terminator on the last unit to avoid erratic behavior. A terminator is a 110-120 ohm 1/4 watt resistor which is connected between pins 2 and 3 of a male XLR connector (DATA + and DATA -). This unit is inserted in the female XLR connector of the last unit in your daisy chain to terminate the line. Using a cable terminator (ADJ part number Z-DMX/T) will decrease the possibilities of erratic behavior.

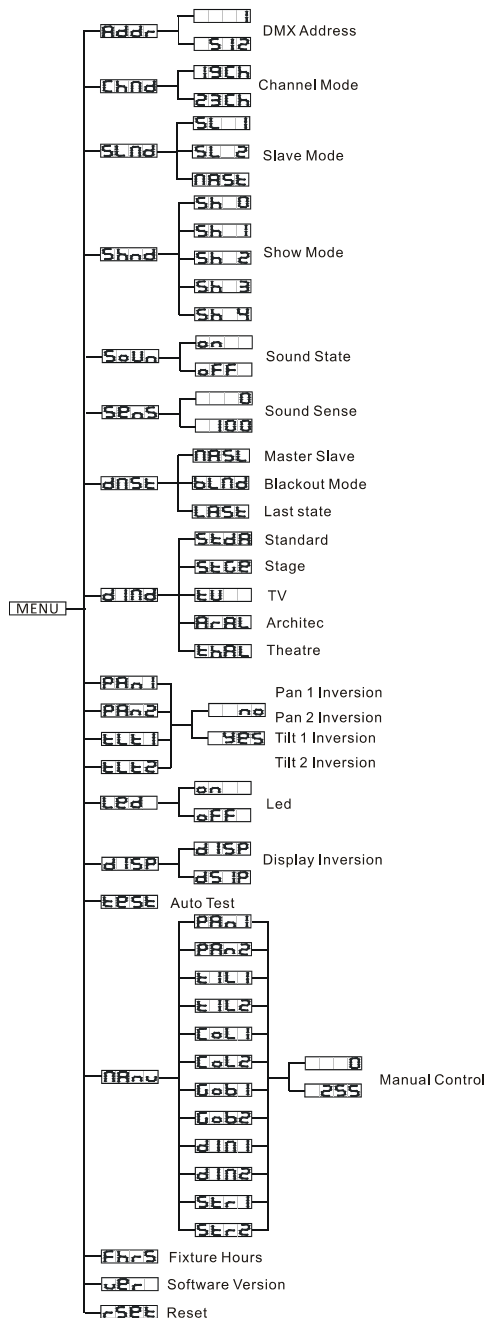


Termination reduces signal errors and avoids signal transmission problems and interference. It is always advisable to connect a DMX terminal, (Resistance 120 Ohm 1/4 W) between PIN 2 (DMX-) and PIN 3 (DMX +) of the last fixture.

Figure 4

5-Pin XLR DMX Connectors. Some manufactures use 5-pin DMX-512 data cables for DATA transmission in place of 3-pin. 5-pin DMX fixtures may be implemented in a 3-pin DMX line. When inserting standard 5-pin data cables in to a 3-pin line a cable adaptor must be used, these adaptors are readily available at most electric stores. The chart below details a proper cable conversion.

3-Pin XLR to 5-Pin XLR Conversion		
Conductor	3-Pin XLR Female (Out)	5-Pin XLR Male (In)
Ground/Shield	Pin 1	Pin 1
Data Compliment (- signal)	Pin 2	Pin 2
Data True (+ signal)	Pin 3	Pin 3
Not Used		Pin 4 - Do Not Use
Not Used		Pin 5 - Do Not Use



System Menu: When making adjustments press **ENTER** to confirm your setup then press and hold the **MENU** button for at least 3 seconds. To exit without making any adjustments press the **MENU** button. The display will lock after 30 seconds, press the **MENU** button for 3 seconds to unlock.

ADDR - DMX Address Setting.

1. Press the MENU button until “ADDR” is displayed, press ENTER.
2. The current address will now be displayed and flashing. Press the UP or DOWN buttons to find your desired address. Press ENTER to set your desired DMX address.

CHND - This will let select your desired DMX channel mode.

1. Press the MENU button until “CHND” is displayed, press ENTER. Either “19CH” or “23CH” will be displayed
2. Press the UP or DOWN buttons to find your desired DMX channel mode and press ENTER to confirm and exit.

SLND - This will let you set unit as a master or slave in a master/slave configuration.

1. Press the MENU button until “SLND” is displayed, press ENTER. Either “SL 1”, “SL 2”, or “MAST” will be displayed.
2. Press the UP or DOWN buttons until your desired setting is displayed, press ENTER to confirm.

NOTE: In a Master/Slave configuration you can set one fixture to Master and then set the next fixture to “SL 2”, the fixtures will now have contrast movement to each other.

SHND - Show modes 0-4 (Factory programs). Show mode can run with or without sound active mode active.

1. Press the MENU button until “SHND” is displayed, press ENTER.
2. “Sh X” will now be displayed, “X” representing a number between

0-4. Shows 1-4 are factory programs, while show “0” is random mode. Use the UP or DOWN buttons to find your desired show.

3. When you have found your desired show press ENTER, then press and hold the MENU button for at least 3 seconds to activate. After you have set your desired show, it can be changed at any time using the UP or DOWN buttons.

SOUN - Sound Active mode.

1. Press the MENU button until “**SOUN**” is displayed, press ENTER.
2. The display will show either “**ON**” or “**OFF**”. Press the UP or DOWN buttons to select “**ON**” to activate sound active mode, or “**OFF**” to deactivate sound active mode.
3. Press ENTER to confirm.

SENS - In this mode you can adjust the sound sensitivity.

1. Press the MENU button until “**SENS**” is displayed, press ENTER.
2. A number between 0-100 will be displayed. Press the UP or DOWN buttons to adjust the sound sensitivity. 0 being the least sensitive, and 100 being the most sensitive.
3. When you have found your desired setting press ENTER to confirm.

DNST - This mode can be used as a precaution mode, that in case the DMX signal is lost, interrupted, or power is lost, the operating mode chosen in the setup is the running mode the fixture will go into when the DMX signal is lost. You can also set this as the operating mode you would like the unit to return to when power is applied.

1. Press the MENU button until “**DNST**” is displayed, and either “**MASL**”, “**BLND**”, or “**LAST**” will be displayed beneath.
2. Press ENTER and the bottom choice will begin to flash. Use the UP or DOWN buttons to choose an operating mode you would like the unit to start up in when power is applied or the DMX signal is lost.

- **MASL (Master-Slave)** - If the DMX signal is lost or power is applied, the unit will automatically go into Master Slave mode and run a built-in show.

- **BLND (Blackout)** - If the DMX signal is lost or interrupted, the unit will automatically go into stand by mode.

- **LAST** - If the DMX signal is lost the fixture will stay in the last DMX setting. If power is applied and this mode is set, the unit will automatically go into the last DMX set up.

3. Press ENTER to confirm your desired set up.

DIND - This will let select your desired dimmer curve. See the Dimmer Curve chart on page 30 for more info.

1. Press the MENU button until “**DIND**” is displayed, press ENTER. 1 of 5 dimmer curves will be displayed. “**STDA**” (standard), “**STGE**” (stage), “**TV**” (TV), “**ARAL**” (Architectural), or “**THAL**” (Theatre).
2. Press the UP or DOWN buttons to find your desired dimmer curve and press ENTER to confirm and exit.

PAN 1 - Pan Inversion (Moving Head 1)

1. Press the MENU button until “**PAN 1**” is displayed, press ENTER. Either “**Yes**” or “**No**” will be displayed.
2. To activate the Pan inversion press the UP or DOWN buttons until “**Yes**” is displayed, press ENTER to confirm. To deactivate Pan inversion, select “**No**” and press Enter.

PAN 2 - Pan Inversion (Moving Head 2)

1. Press the MENU button until “**PAN 2**” is displayed, press ENTER. Either “**Yes**” or “**No**” will be displayed.
2. To activate the Pan inversion press the UP or DOWN buttons until “**Yes**” is displayed, press ENTER to confirm. To deactivate Pan inversion, select “**No**” and press Enter.

TLT 1 - Tilt Inversion (Moving Head 1)

1. Press the MENU button until “**TLT 1**” is displayed, press ENTER.

Either “**Yes**” or “**No**” will be displayed.

2. To activate the tilt inversion press the UP or DOWN buttons until “**Yes**” is displayed, press ENTER to confirm. To deactivate tilt inversion, select “**No**” and press Enter.

TLT 2 - Tilt Inversion

1. Press the MENU button until “**TLT 2**” is displayed, press ENTER. Either “**Yes**” or “**No**” will be displayed.

2. To activate the tilt inversion press the UP or DOWN buttons until “**Yes**” is displayed, press ENTER to confirm. To deactivate tilt inversion, select “**No**” and press Enter.

LED - With this function you can have the display backlight turn off after 10 seconds.

1. Press the MENU button until “**LED**” is displayed, press ENTER.

2. The display will show either “**ON**” or “**OFF**”. Press the UP or DOWN buttons to select “**ON**” to keep the LED display on at all times, or “**OFF**” to switch to have the LED display switch off after 10 seconds.

3. Press ENTER to confirm. To make you LED display reappear again press any button.

DISP - This function will reverse the display 180°.

1. Press the MENU button until “**DISP**” is displayed, press ENTER.

2. Press ENTER to “flip” the display. Press ENTER to “flip” it again. Press ENTER when you have made your desired setup.

TEST - This function will run a self test program.

1. Press the MENU button until “**TEST**” is displayed, press ENTER.

2. The fixture will now run a self test.

MANU - In this submenu you are able to test the different

functions; pan, tilt, colors, gobos, dimmer, and strobe.

1. Press the MENU button until “**MANU**” is displayed, press ENTER.

2. Use the UP and DOWN buttons to scroll through the various functions able for testing. Once you have found your desired function you would like to test press ENTER.

3. After you have pressed ENTER, use the UP and DOWN buttons to adjust the values and test the function. To exit press the MENU button.

FHRS - With this function you can display the running time of the unit.

1. Press the MENU button until “**FHRS**” is displayed, press ENTER.

2. The running time of the fixture will now be displayed. Press MENU to exit.

VER - Use this function to display the Software version of the unit.

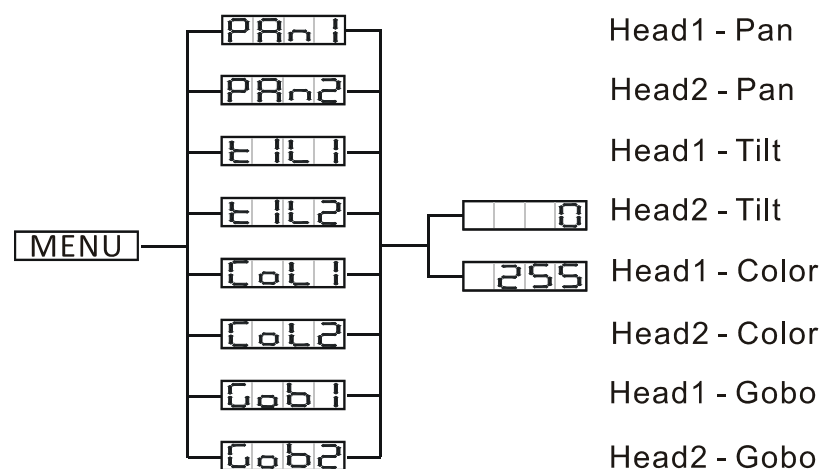
1. Press the MENU button until “**VER**” is displayed, press ENTER.

2. The display will show the software version.

RSET - Use this function to reset the unit.

1. Press the MENU button until “**RSET**” is displayed, press ENTER.

2. The fixture will now reset.



To enter the home position adjustment menu, press the ENTER button for at least 5 seconds. In this submenu you are able to adjust the original position of the pan position, tilt position, color wheel position, and gobo wheel position. When looking at the fixture, with the LED display in front of you, the Master is the moving head on the right, the Slave is the left moving head.

PAN1 - Adjustment of the pan position of head 1.

1. Press the ENTER button for at least 5 seconds to enter the submenu. Press the UP or DOWN buttons so that “**PAN1**” is displayed and press ENTER.
2. Use the UP and DOWN buttons to make your adjustments, and then press ENTER to confirm. Press the MENU button for one second to exit.

PAN2 - Adjustment of the pan position of head 2.

1. Press the ENTER button for at least 5 seconds to enter the submenu. Press the UP or DOWN buttons so that “**PAN2**” is displayed and press ENTER.
2. Use the UP and DOWN buttons to make your adjustments, and then press ENTER to confirm. Press the MENU button for one second

to exit.

TIL1 - Adjustment of the tilt position of head 1.

1. Press the ENTER button for at least 5 seconds to enter the submenu. Press the UP or DOWN buttons so that “**TIL1**” is displayed and press ENTER.
2. Use the UP and DOWN buttons to make your adjustments, and then press ENTER to confirm. Press the MENU button for one second to exit.

TIL2 - Adjustment of the tilt position of head 2.

1. Press the ENTER button for at least 5 seconds to enter the submenu. Press the UP or DOWN buttons so that “**TIL2**” is displayed and press ENTER.
2. Use the UP and DOWN buttons to make your adjustments, and then press ENTER to confirm. Press the MENU button for one second to exit.

COL1 - Adjustment of the color wheel position of head 1.

1. Press the ENTER button for at least 5 seconds to enter the submenu. Press the UP or DOWN buttons so that “**COL1**” is displayed and press ENTER.
2. Use the UP and DOWN buttons to make your adjustments, and then press ENTER to confirm. Press the MENU button for one second to exit.

COL2 - Adjustment of the color wheel position of head 2.

1. Press the ENTER button for at least 5 seconds to enter the submenu. Press the UP or DOWN buttons so that “**COL2**” is displayed and press ENTER.
2. Use the UP and DOWN buttons to make your adjustments, and then press ENTER to confirm. Press the MENU button for one second to exit.

GOB1 - Adjustment of the gobo wheel position for head 1.

1. Press the ENTER button for at least 5 seconds to enter the sub-menu. Press the UP or DOWN buttons so that “**GOB1**” is displayed and press ENTER.
2. Use the UP and DOWN buttons to make your adjustments, and then press ENTER to confirm. Press the MENU button for one second to exit.

GOB2 - Adjustment of the gobo wheel position for head 2.

1. Press the ENTER button for at least 5 seconds to enter the sub-menu. Press the UP or DOWN buttons so that “**GOB1**” is displayed and press ENTER.
2. Use the UP and DOWN buttons to make your adjustments, and then press ENTER to confirm. Press the MENU button for one second to exit.

Universal DMX Control: This function allows you to use a Elation® universal DMX-512 controller to control the chases and patterns, dimmer and strobe. A DMX controller allows you to create unique programs tailored to your individual needs.

1. The Inno Pocket Spot Twins has 2 DMX channel modes; 19 channel mode or 23 channel mode. See pages 22-29 for detailed description of the DMX values and traits.
2. To control your fixture in DMX mode, follow the set-up procedures on pages 5-7 as well as the set-up specifications that are included with your DMX controller.
3. Use the controller’s faders to control the various DMX fixture traits.
4. This will allow you to create your own programs.
5. Follow the instructions on page 11 to select your desired DMX Channel mode and set the DMX address.
6. For longer cable runs (more than a 100 feet) use a terminator on the last fixture.
7. For help operating in DMX mode consult the manual included with your DMX controller.

Sound Active Mode: This mode allows either single unit or several units linked together, to run to the beat of the music.

1. Press the MENU button until “**SOUN**” is displayed, and press ENTER. Press the UP or DOWN buttons so that “**ON**” is displayed and press ENTER.
2. Press the MENU button until “**SENS**” is displayed, and press ENTER. Use the UP and DOWN buttons to adjust the sound sensitivity. Press ENTER when you have found your desired sensitivity level.

Show Mode: This mode allows either a single unit or several units linked together, to run one of four shows that you choose.

1. Press the MENU button until “**SHND**” is displayed, and press ENTER.
2. Use the UP or DOWN buttons to you find your desired show, and press ENTER.

Master-Slave Operation This function will allow you to link up to 16 units together and operate without a controller. The units will be sound activated. In Master-Slave operation one unit will act as the controlling unit and the others will react to the controlling units programs. Any unit can act as a Master or as a Slave.

1. Using approved DMX data cables, daisy chain your units together via the XLR connector on the rear of the units. Remember the Male XLR connector is the input and the Female XLR connector is the output. The first unit in the chain (master) will use the female XLR connector only - The last unit in the chain will use the male XLR connector only. For longer cable runs we suggest a terminator at the last fixture.
2. On the Master unit press the MENU button until “**SLND**” is displayed, and press ENTER. Use the UP and DOWN buttons to scroll to the “**MAST**” setting and press ENTER.
3. After setting the Master unit to the master setting find your desired operating mode.
4. On the slave units press the MENU button until “**SLND**” is displayed, and press ENTER. Choose either “**SL 1**” or “**SL 2**” and press ENTER. See page 10 for more info.
5. The slave units will now follow the Master unit.

The **UC-IR** infrared remote gives you control of various functions (See below). To control the fixture you must aim the remote at the front of the fixture and be no more than 30 feet away.

STAND BY - Pressing this button will blackout the fixture.

FULL ON - Hold this button down to fully light up the unit. When you let the button go, the unit will return to its previous state.

FADE/GOBO - Press this button to enter Gobo mode. Use the 1-9 buttons to select your desired gobo. Adjust the output intensity using the “**DIMMER +**” and “**DIMMER -**” buttons.

“**DIMMER +**” and “**DIMMER -**” - Use these buttons to adjust the output intensity and to adjust the strobe speed.

STROBE - This button will activate the strobe effect. You can control the flash rate by pressing the “**DIMMER +**” and “**DIMMER -**” buttons. If you press and hold this button the unit will begin to strobe.

COLOR - Press this button to enter Dimmer mode. Use the 1-9 buttons to select your desired color. Adjust the output intensity using the “**DIMMER +**” and “**DIMMER -**” buttons.

1-9 - When in either Gobo mode or Color mode, these buttons will allow you to select either a gobo or color.

SOUND ON & OFF - These buttons activate and deactivate the sound active mode.

SHOW - This activates the show mode. Use the “**DIMMER +**” and “**DIMMER -**” buttons to scroll through the 4 shows.

Inno Pocket Spot Twins		19 Channel Mode
Channel	Value	Function
1	0 - 255	PAN 1 MOVEMENT 0° - 540°
2	0 - 255	TILT 1 MOVEMENT 0° - 270°
3	0 - 255	PAN 2 MOVEMENT 0° - 540°
4	0 - 255	TILT 2 MOVEMENT 0° - 270°
5		COLORS MOVING HEAD 1
	0 - 7	WHITE
	8 - 14	RED
	15 - 21	ORANGE
	22 - 28	YELLOW
	29 - 35	GREEN
	36 - 42	BLUE
	43 - 49	LIGHT BLUE
	50 - 56	PINK
	57 - 127	SPLIT COLORS
	128 - 189	CLOCKWISE SCROLL FAST - SLOW
	190 - 193	STOP
	194 - 255	COUNTER CLOCKWISE SLOW - FAST
6		COLORS MOVING HEAD 2
	0 - 7	WHITE
	8 - 14	RED
	15 - 21	ORANGE
	22 - 28	YELLOW
	29 - 35	GREEN
	36 - 42	BLUE
	43 - 49	LIGHT BLUE
	50 - 56	PINK
	57 - 127	SPLIT COLORS
	128 - 189	CLOCKWISE SCROLL FAST - SLOW
	190 - 193	STOP
	194 - 255	COUNTER CLOCKWISE SLOW - FAST
7		GOBO WHEEL 1
	0 - 7	OPEN
	8 - 15	GOBO 1
	16 - 23	GOBO 2
	24 - 31	GOBO 3
	32 - 39	GOBO 4

Inno Pocket Spot Twins		19 Channel Mode
Channel	Value	Function
7		GOBO WHEEL 1
	40 - 47	GOBO 5
	48 - 55	GOBO 6
	56 - 63	GOBO 7
	64 - 71	OPEN SHAKE
	72 - 79	GOBO 1 SHAKE
	80 - 87	GOBO 2 SHAKE
	88 - 95	GOBO 3 SHAKE
	96 - 103	GOBO 4 SHAKE
	104 - 111	GOBO 5 SHAKE
	112 - 119	GOBO 6 SHAKE
	120 - 127	GOBO 7 SHAKE
	128 - 189	GOBO SCROLL FAST - SLOW
	190 - 193	STOP
	194 - 255	GOBO SCROLL SLOW - FAST
8		GOBO WHEEL 2
	0 - 7	OPEN
	8 - 15	GOBO 1
	16 - 23	GOBO 2
	24 - 31	GOBO 3
	32 - 39	GOBO 4
	40 - 47	GOBO 5
	48 - 55	GOBO 6
	56 - 63	GOBO 7
	64 - 71	OPEN SHAKE
	72 - 79	GOBO 1 SHAKE
	80 - 87	GOBO 2 SHAKE
	88 - 95	GOBO 3 SHAKE
	96 - 103	GOBO 4 SHAKE
	104 - 111	GOBO 5 SHAKE
	112 - 119	GOBO 6 SHAKE
	120 - 127	GOBO 7 SHAKE
	128 - 189	GOBO SCROLL FAST - SLOW
	190 - 193	STOP
194 - 255	GOBO SCROLL SLOW - FAST	

Inno Pocket Spot Twins		19 Channel Mode
Channel	Value	Function
9	0 - 7	BUILT-IN SHOWS OFF
	8 - 31	SHOW 1
	32 - 55	SHOW 2
	56 - 79	SHOW 3
	80 - 103	SHOW 4
	104 - 255	NONE
10	0 - 254	SHOW SPEED
	255	SHOW SPEED SLOW - FAST SOUND ACTIVE
11	0 - 7	SHUTTER/STROBE 1 BLACKOUT
	8 - 15	SHUTTER OPEN
	16 - 131	STROBING SLOW - FAST
	132 - 139	SHUTTER OPEN
	140 - 181	SHUTTER SLOW OPEN - FAST CLOSE
	182 - 189	SHUTTER OPEN
	190 - 231	SHUTTER FAST OPEN - SLOW CLOSE
	232 - 239	SHUTTER OPEN
	240 - 247	RANDOM STROBE
248 - 255	SHUTTER OPEN	
12	0 - 7	SHUTTER/STROBE 2 BLACKOUT
	8 - 15	SHUTTER OPEN
	16 - 131	STROBING SLOW - FAST
	132 - 139	SHUTTER OPEN
	140 - 181	SHUTTER SLOW OPEN - FAST CLOSE
	182 - 189	SHUTTER OPEN
	190 - 231	SHUTTER FAST OPEN - SLOW CLOSE
	232 - 239	SHUTTER OPEN
	240 - 247	RANDOM STROBE
248 - 255	SHUTTER OPEN	
13	0 - 255	DIMMER 1 0% - 100%
	0 - 255	DIMMER 2 0% - 100%

Inno Pocket Spot Twins		19 Channel Mode	
Channel	Value	Function	
15	0 - 255	PAN/TILT 1 SPEED FAST - SLOW	
	0 - 255	PAN/TILT 2 SPEED FAST - SLOW	
17	0 - 69	FUNCTION (HEAD 1) NO FUNCTION	
	70 - 79	BLACKOUT WITH PAN/TILT	
	80 - 89	PAN/TILT INVERSION	
	90 - 99	BLACKOUT WITH COLOR CHANGE	
	100 - 109	NO FUNCTION	
	110 - 119	BLACKOUT WITH GOBO CHANGE	
	120 - 199	NO FUNCTION	
200 - 209	200 - 209	RESET ALL	
	210 - 255	NO FUNCTION	
	18	0 - 69	FUNCTION (HEAD 2) NO FUNCTION
		70 - 79	BLACKOUT WITH PAN/TILT
80 - 89		PAN/TILT INVERSION	
90 - 99		BLACKOUT WITH COLOR CHANGE	
100 - 109		NO FUNCTION	
110 - 119		BLACKOUT WITH GOBO CHANGE	
120 - 199		NO FUNCTION	
200 - 209	200 - 209	RESET ALL	
	210 - 255	NO FUNCTION	
	19	0 - 20	DIMMER CURVES STANDARD
		21 - 40	STAGE
41 - 60		TV	
61 - 80		ARCHITECTURAL	
81 - 100		THEATER	
101 - 255		DEFAULT TO UNIT CURVE SETTING	

Note: Channel 9 will not work when Channels 5, 6, 7, & 8 are being used.

Channels 5, 6, 7, & 8 will not work when Channel 9 is being used.

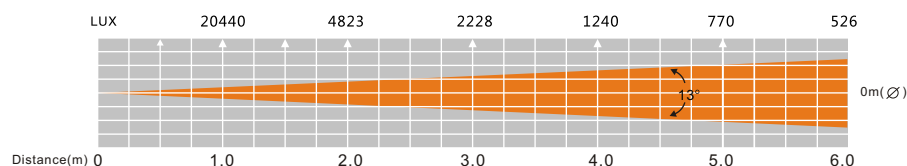
Inno Pocket Spot Twins		23 Channel Mode
Channel	Value	Function
1	0 - 255	PAN 1 MOVEMENT 0° - 540°
2	0 - 255	PAN 1 FINE
3	0 - 255	TILT 1 MOVEMENT 0° - 270°
4	0 - 255	TILT 1 FINE
5	0 - 255	PAN 2 MOVEMENT 0° - 540°
6	0 - 255	PAN 2 FINE
7	0 - 255	TILT 2 MOVEMENT 0° - 270°
8	0 - 255	TILT 2 FINE
9		COLORS MOVING HEAD 1
	0 - 7	WHITE
	8 - 14	RED
	15 - 21	ORANGE
	22 - 28	YELLOW
	29 - 35	GREEN
	36 - 42	BLUE
	43 - 49	LIGHT BLUE
	50 - 56	PINK
	57 - 127	SPLIT COLORS
	128 - 189	CLOCKWISE SCROLL FAST - SLOW
	190 - 193	STOP
194 - 255	COUNTER CLOCKWISE SLOW - FAST	
10		COLORS MOVING HEAD 2
	0 - 7	WHITE
	8 - 14	RED
	15 - 21	ORANGE
	22 - 28	YELLOW
	29 - 35	GREEN
	36 - 42	BLUE
	43 - 49	LIGHT BLUE
	50 - 56	PINK
	57 - 127	SPLIT COLORS
	128 - 189	CLOCKWISE SCROLL FAST - SLOW
	190 - 193	STOP
194 - 255	COUNTER CLOCKWISE SLOW - FAST	

Inno Pocket Spot Twins		23 Channel Mode
Channel	Value	Function
11		GOBO WHEEL 1
	0 - 7	OPEN
	8 - 15	GOBO 1
	16 - 23	GOBO 2
	24 - 31	GOBO 3
	32 - 39	GOBO 4
	40 - 47	GOBO 5
	48 - 55	GOBO 6
	56 - 63	GOBO 7
	64 - 71	OPEN SHAKE
	72 - 79	GOBO 1 SHAKE
	80 - 87	GOBO 2 SHAKE
	88 - 95	GOBO 3 SHAKE
	96 - 103	GOBO 4 SHAKE
	104 - 111	GOBO 5 SHAKE
	112 - 119	GOBO 6 SHAKE
	120 - 127	GOBO 7 SHAKE
	128 - 189	GOBO SCROLL FAST - SLOW
	190 - 193	STOP
	194 - 255	GOBO SCROLL SLOW - FAST
12		GOBO WHEEL 2
	0 - 7	OPEN
	8 - 15	GOBO 1
	16 - 23	GOBO 2
	24 - 31	GOBO 3
	32 - 39	GOBO 4
	40 - 47	GOBO 5
	48 - 55	GOBO 6
	56 - 63	GOBO 7
	64 - 71	OPEN SHAKE
	72 - 79	GOBO 1 SHAKE
	80 - 87	GOBO 2 SHAKE
88 - 95	GOBO 3 SHAKE	
96 - 103	GOBO 4 SHAKE	
104 - 111	GOBO 5 SHAKE	
112 - 119	GOBO 6 SHAKE	
120 - 127	GOBO 7 SHAKE	

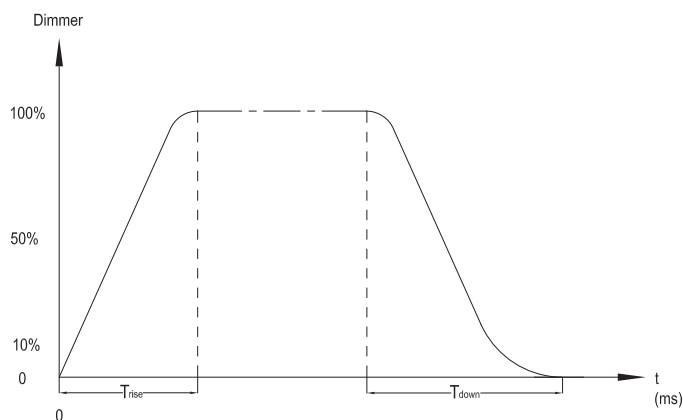
Inno Pocket Spot Twins		23 Channel Mode
Channel	Value	Function
12		GOBO WHEEL 2
	128 - 189	GOBO SCROLL FAST - SLOW
	190 - 193	STOP
	194 - 255	GOBO SCROLL SLOW - FAST
13	0 - 7	BUILT-IN SHOWS OFF
	8 - 31	SHOW 1
	32 - 55	SHOW 2
	56 - 79	SHOW 3
	80 - 103	SHOW 4
	104 - 255	NONE
14	0 - 254	SHOW SPEED
	255	SHOW SPEED SLOW - FAST SOUND ACTIVE
15	0 - 7	SHUTTER/STROBE 1 BLACKOUT
	8 - 15	SHUTTER OPEN
	16 - 131	STROBING SLOW - FAST
	132 - 139	SHUTTER OPEN
	140 - 181	SHUTTER SLOW OPEN - FAST CLOSE
	182 - 189	SHUTTER OPEN
	190 - 231	SHUTTER FAST OPEN - SLOW CLOSE
	232 - 239	SHUTTER OPEN
	240 - 247	RANDOM STROBE
	248 - 255	SHUTTER OPEN
16	0 - 7	SHUTTER/STROBE 2 BLACKOUT
	8 - 15	SHUTTER OPEN
	16 - 131	STROBING SLOW - FAST
	132 - 139	SHUTTER OPEN
	140 - 181	SHUTTER SLOW OPEN - FAST CLOSE
	182 - 189	SHUTTER OPEN
	190 - 231	SHUTTER FAST OPEN - SLOW CLOSE
	232 - 239	SHUTTER OPEN
	240 - 247	RANDOM STROBE
	248 - 255	SHUTTER OPEN

Inno Pocket Spot Twins		23 Channel Mode
Channel	Value	Function
17		DIMMER 1
	0 - 255	0% - 100%
18		DIMMER 2
	0 - 255	0% - 100%
19		PAN/TILT 1 SPEED
	0 - 255	FAST - SLOW
20		PAN/TILT 2 SPEED
	0 - 255	FAST - SLOW
21	0 - 69	FUNCTION (HEAD 1) NO FUNCTION
	70 - 79	BLACKOUT WITH PAN/TILT
	80 - 89	PAN/TILT INVERSION
	90 - 99	BLACKOUT WITH COLOR CHANGE
	100 - 109	NO FUNCTION
	110 - 119	BLACKOUT WITH GOBO CHANGE
	120 - 199	NO FUNCTION
	200 - 209	RESET ALL
	210 - 255	NO FUNCTION
	22	0 - 69
70 - 79		BLACKOUT WITH PAN/TILT
80 - 89		PAN/TILT INVERSION
90 - 99		BLACKOUT WITH COLOR CHANGE
100 - 109		NO FUNCTION
110 - 119		BLACKOUT WITH GOBO CHANGE
120 - 199		NO FUNCTION
200 - 209		RESET ALL
210 - 255		NO FUNCTION
23		0 - 20
	21 - 40	STAGE
	41 - 60	TV
	61 - 80	ARCHITECTURAL
	81 - 100	THEATER
	101 - 255	DEFAULT TO UNIT CURVE SETTING

Inno Pocket Spot Twins Photometric Chart



Inno Pocket Spot Twins Dimmer Curve Chart



Ramp Effect	0 $\frac{1}{255}$ OS (Fade Time)		0 $\frac{1}{255}$ 1S (Fade Time)	
	T_{rise} (ms)	T_{down} (ms)	T_{rise} (ms)	T_{down} (ms)
Standard	0	0	0	0
Stage	780	1100	1540	1660
TV	1180	1520	1860	1940
Architectural	1380	1730	2040	2120
Theatre	1580	1940	2230	2280

Inno Pocket Spot Twins Power Cord Daisy Chain

With this feature you can connect the fixtures to one another using the I.E.C input and output sockets. The quantity that can be connected is 6 fixtures maximum for 120V and 14 fixtures maximum for 240V. After the maximum fixtures has been reached you will need to use a new power outlet. They must be the same fixtures. DO NOT mix fixtures.

Inno Pocket Spot Twins Fuse Replacement

Unplug the unit from any power source it may be connected to. Using a phillips-head screw driver remove the fuse holder located on the rear next to the I.E.C. plugs. Remove the bad fuse and replace with a new one.

Inno Pocket Spot Twins Cleaning

Due to fog residue, smoke, and dust cleaning the internal and external optical lenses and mirror should be carried out periodically to optimize light output. Cleaning frequency depends on the environment in which the fixture operates (i.e. smoke, fog residue, dust, dew). In heavy club use we recommend cleaning on a monthly basis. Periodic cleaning will ensure longevity, and crisp output.

1. Use normal glass cleaner and a soft cloth to wipe down the outside casing.
2. Use a brush to wipe down the cooling vents and fan grill.
3. Clean the external optics with glass cleaner and a soft cloth every 20 days.
4. Clean the internal optics with glass cleaner and a soft cloth every 30-60 days.
5. Always be sure to dry all parts completely before plugging the unit back in.

Inno Pocket Spot Twins Trouble Shooting

Trouble Shooting: Listed below are a few common problems that you may encounter, with solutions.

No light output from the unit;

1. Be sure the external fuse has not blown. The fuse is located on the rear panel of the unit.
2. Be sure the fuse holder is completely and properly seated.

Unit does not respond to sound;

1. Low frequencies (bass) should cause the unit to react to sound. Tapping on the microphone, quiet or high pitched sounds may not activate the unit.

MANUFACTURER'S LIMITED WARRANTY

- A. ADJ Products, LLC hereby warrants, to the original purchaser, ADJ Products, LLC products to be free of manufacturing defects in material and workmanship for a prescribed period from the date of purchase (see specific warranty period on reverse). This warranty shall be valid only if the product is purchased within the United States of America, including possessions and territories. It is the owner's responsibility to establish the date and place of purchase by acceptable evidence, at the time service is sought.
- B. **For warranty service you must obtain a Return Authorization number (RA#) before sending back the product—please contact ADJ Products, LLC Service Department at 800-322-6337.** Send the product only to the ADJ Products, LLC factory. All shipping charges must be pre-paid. If the requested repairs or service (including parts replacement) are within the terms of this warranty, ADJ Products, LLC will pay return shipping charges only to a designated point within the United States. If the entire instrument is sent, it must be shipped in its original package. No accessories should be shipped with the product. If any accessories are shipped with the product, ADJ Products, LLC shall have no liability whatsoever for loss of or damage to any such accessories, nor for the safe return thereof.
- C. This warranty is void if the serial number has been altered or removed; if the product is modified in any manner which ADJ Products, LLC concludes, after inspection, affects the reliability of the product; if the product has been repaired or serviced by anyone other than the ADJ Products, LLC factory unless prior written authorization was issued to purchaser by ADJ Products, LLC; if the product is damaged because not properly maintained as set forth in the instruction manual.
- D. This is not a service contract, and this warranty does not include maintenance, cleaning or periodic check up. During the period specified above, ADJ Products, LLC will replace defective parts at its expense with new or refurbished parts, and will absorb all expenses for warranty service and repair labor by reason of defects in material or workmanship. The sole responsibility of ADJ Products, LLC under this warranty shall be limited to the repair of the product, or replacement thereof, including parts, at the sole discretion of ADJ Products, LLC. All products covered by this warranty were manufactured after August 15, 2012, and bear indentifying marks to that effect.
- E. ADJ Products, LLC reserves the right to make changes in design and/or improvements upon its products without any obligation to include these changes in any products theretofore manufactured.

No warranty, whether expressed or implied, is given or made with respect to any accessory supplied with products described above. Except to the extent prohibited by applicable law, all implied warranties made by ADJ Products, LLC in connection with this product, including warranties of merchantability or fitness, are limited in duration to the warranty period set forth above. And no warranties, whether expressed or implied, including warranties of merchantability or fitness, shall apply to this product after said period has expired. The consumer's and/or Dealer's sole remedy shall be such repair or replacement as is expressly provided above; and under no circumstances shall ADJ Products, LLC be liable for any loss or damage, direct or consequential, arising out of the use of, or inability to use, this product.

This warranty is the only written warranty applicable to ADJ Products, LLC Products and supersedes all prior warranties and written descriptions of warranty terms and conditions heretofore published.

MANUFACTURER'S LIMITED WARRANTY PERIODS:

- **Lighting Products = 1-year (365 days) Limited Warranty** (Such as: Special Effect Lighting, Intelligent Lighting, UV lighting, Strobes, Fog Machines, Bubble Machines, Mirror Balls, Par Cans, Trussing, Lighting Stands etc. excluding LEDs and lamps)
- **Laser Products = 90-Day Limited Warranty**
- **L.E.D. Products = 2-year (730 days) Limited Warranty** (excluding motors, PCB boards, and power supplies, which have a 1-year (365 day Limited Warranty) and batteries which have a 180 day limited warranty).

Model:	Inno Pocket Spot Twins
Voltage:	100 - 240V, 50/60Hz
LED:	2 x 12W White LED
Power Cord Daisy Chain:	6 Fixtures Max. (120V) 14 Fixtures Max. (230V)
Power Consumption:	85W
Dimensions:	19.25"(L) x 6"(W) x 13"(H) 487mm x 153mm x 327mm
Weight:	17 Lbs. / 7.6 kgs.
Beam Angle:	13 Degrees
Fuse:	3.15 Amp
Duty Cycle:	None
DMX:	2 DMX Channel Modes: 19 Channel Mode & 23 Channel Mode
Colors:	7 + White
Gobos:	7 + Spot
Sound Active:	Yes
Working Position:	Any Safe, Secure Position
Warranty:	2 Year (730 days)

Please Note: Specifications and improvements in the design of this unit and this manual are subject to change without any prior written notice.

Auto Sensing Voltage: This fixture contains a automatic voltage switch, which will auto sense the voltage when it is plugged into the power source.

ADJ Products, LLC
6122 S. Eastern Ave. Los Angeles, CA 90040 USA
Tel: 323-582-2650 / Fax: 323-725-6100
Web: www.adj.com / E-mail: info@americandj.com

A.D.J. Supply Europe B.V.
Junostraat 2
6468 EW Kerkrade
Netherlands

Follow Us On:



facebook.com/americandj
twitter.com/americandj
youtube.com/adjlighting

service@adjgroup.eu / www.adj.eu
Tel: +31 45 546 85 00 / Fax: +31 45 546 85 99