



IN-LINE FANS

*better AIRFLOW
by DESIGN™*



**ADD
DIRECT DRIVE
TUBEAXIALS**

- Simple maintenance - no belts or pulleys
- Spark resistant, cast aluminum airfoil axial impeller
- Aerodynamically efficient performance
- Factory set adjustable pitch blades
- Heavy duty welded steel construction
- TEFC industrial duty motor
- Sizes range from 12" to 60"
- Direct drive capacities to 61,000 cfm

ADD DIRECT DRIVE TUBEAXIAL FANS

STANDARD FEATURES & BENEFITS

- Simple maintenance – no belts or pulleys
- Spark resistant, cast aluminum airfoil axial impeller
- Factory set adjustable pitch blades
- Aerodynamically efficient performance
- Heavy duty welded steel and angle ring construction
- Air dried enamel paint finish
- Mountable in ductwork in any position
- TEFC industrial duty motor
- Externally mounted and wired junction box

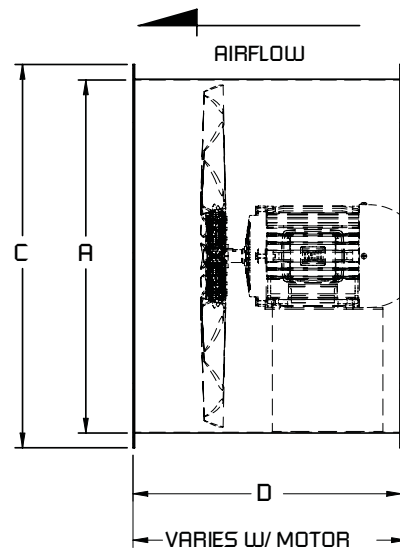
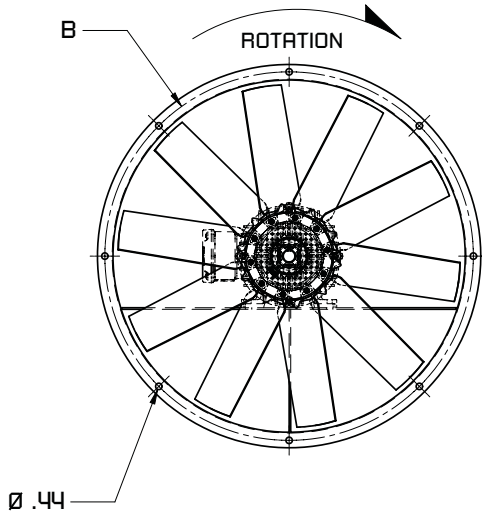


APPLICATIONS

- Process ventilation
- Fumes, dust or smoke removal
- In-line duct booster
- General ventilation

ACCESSORIES / OPTIONS

- Epoxy or Eisenheiss coatings
- Horizontal mounting brackets
- Vertical mounting brackets
- Mounting legs
- Propeller side guard
- Motor side guard
- Inspection door
- Companion flanges
- 304 or 316 stainless steel construction
- Explosion proof motors
- Special duty motors
- Reverse flow construction



MODEL	DIMENSIONS IN INCHES*				WT (LBS) LESS MTR	MAX MTR FRAME
	A	B	C	D		
ADD-12	12	13.1	14	14	35	56
ADD-18	18	19.1	20	14	45	145T
ADD-24	24	25.8	27	18	75	184T
ADD-27	27	28.8	30	18	90	184T
ADD-30	30	31.8	33	18	110	184T
ADD-34	34	35.8	37	18	130	184T
ADD-36	36	37.9	39	18	160	184T
ADD-42	42	43.6	45	18	190	215T
ADD-48	48	49.6	51	18	425	284T
ADD-54	54	55.6	57	24	645	286T
ADD-60	60	61.6	63	24	700	286T

MODEL	PERFORMANCE RATING	
	MINIMUM CFM	MAXIMUM CFM
ADD-12	600	2,044
ADD-18	1,000	4,600
ADD-24	1,400	10,500
ADD-27	2,000	11,500
ADD-30	2,300	16,000
ADD-34	4,000	21,000
ADD-36	4,500	24,000
ADD-42	5,800	29,000
ADD-48	11,000	41,000
ADD-54	18,000	51,000
ADD-60	24,000	61,000

*DO NOT USE FOR CONSTRUCTION

CONSULT FACTORY FOR CERTIFIED PRINTS

ADD DIRECT DRIVE TUBEAXIAL FANS

PRODUCT SPECIFICATION GUIDE

1.0 GENERAL

- A. Fans shall be model ADD Direct Drive Tubeaxial Fans, as manufactured by Continental Fan Manufacturing Inc., of Buffalo, NY, and of the size and capacity as indicated on the drawings and fan schedule.
- B. Fans shall be rated and tested in accordance with ANSI/AMCA Standard 210-99.
- C. All motors and electrical components shall conform to NEMA standards.

2.0 FAN HOUSING

- A. Fan housing shall be constructed of heavy gauge steel and welded angle ring flanges.
- B. Fan motor base shall be constructed of welded heavy gauge steel, and form an integral part of the interior fan housing.
- C. Fan housing and motor base shall be coated with an air dried gray enamel finish.

3.0 FAN IMPELLER

- A. Axial impeller shall be constructed of spark resistant, die cast aluminum airfoil shaped blades secured to a die cast aluminum hub assembly.
- B. Axial impeller blades shall be of adjustable pitch construction with multiple hub-to-blade arrangements to maximize air performance. Blade pitch angles shall be factory set.
- C. Axial impeller hub shall be designed to incorporate a split taper bushing, and be keyed directly to motor shaft.

4.0 FAN MOTOR AND DRIVE

- A. Motor shall be TEFC industrial duty and conform to NEMA standards.
- B. Motor shall be of voltage, horsepower, RPM and enclosure as indicated on the fan schedule.
- C. Fan shall be provided with an externally mounted and wired junction box.

5.0 OPTIONAL FAN ACCESSORIES

- A. Where indicated, fan shall be provided with the following optional accessories:
 - Guards
 - Propeller side
 - Motor side
 - Companion flanges
 - Inspection door
 - Mounting brackets
 - Horizontal
 - Vertical
 - Mounting legs
 - 304 stainless steel construction
 - 316 stainless steel construction
 - Protective coatings for fan housing
 - Epoxy
 - Eisenheiss
 - Motors
 - Explosion proof
 - Special duty

6.0 FAN TESTING

- A. Axial impeller shall be balanced and mounted in fan assembly.
- B. Fan assembly shall be run and tested prior to shipment.
- C. A test report shall be maintained on file for each individual fan.

Industrial Fan Division

The Industrial Fan Division offers superbly crafted industrial fans and ventilators, expertly supported by a network of independent manufacturers' representatives.



Panel Fans

Centrifugal Fans

Flange Fans

In-line Fans

Roof Ventilators

Iris Dampers

OEM Fan Division

The OEM Fan Division works closely with original equipment manufacturers to meet their design requirements, offering in-stock fan components, 3D models and custom fan solutions.



Cabinet Cooling Fans

Motorized Axials

Motorized Impellers

Centrifugal Fans

Axial Impellers

Centrifugal Impellers

Wholesale Products Division

The Wholesale Products Division offers a superior line of in-stock commercial and residential ventilation products, available from wholesalers and distributors across North America.



Bathroom Fans

Air Purification Systems

In-Line Duct Fans

External Mount Fans

Radial Blade Blowers

Exhaust Fans

USA

www.continentalfan.com

Continental Fan Manufacturing Inc.
203 Eggert Road, Buffalo, NY 14215
Tel: (716) 842 0670 Fax: (716) 842 0611

Canada

www.aeroflo.com

Aeroflo Inc.
12-205 Matheson Blvd. E., Mississauga, ON L4Z 3E3
Tel: (905) 890 6192 Fax: (905) 890 6193

ADD DIRECT DRIVE TUBEAXIALS



1160-091