



PANEL & FLANGE FANS

*better AIRFLOW
by DESIGN™*



ABP BELT DRIVE PANEL FANS

- Spark resistant cast aluminum airfoil axial impeller
- Aerodynamically efficient performance
- Factory set adjustable pitch blades
- Heavy duty welded steel construction
- Self-aligning pillow block bearings
- TEFC industrial duty motor
- Sizes range from 24" to 60"
- Belt drive capacities to 44,600 cfm

ABP BELT DRIVE PANEL FANS

STANDARD FEATURES & BENEFITS

- Spark resistant cast aluminum airfoil axial impeller
- Factory set adjustable pitch blades
- Aerodynamically efficient performance
- Heavy duty welded steel frame and panel construction
- Air dried enamel paint finish
- TEFC industrial duty motor
- Self-aligning pillow block ball bearings
- V-belt drives for low speed operation

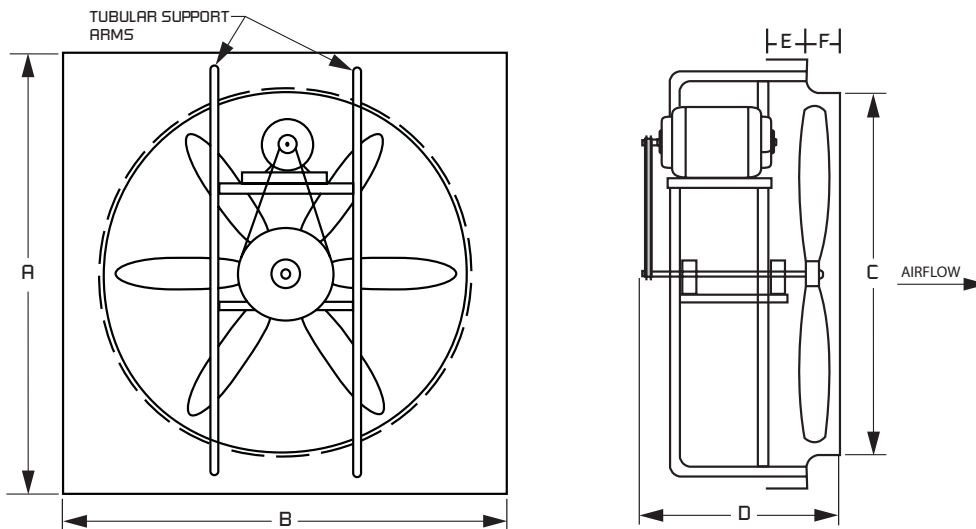


APPLICATIONS

- Power plant ventilation
- Warehouse ventilation
- Parking garage ventilation
- General ventilation

ACCESSORIES / OPTIONS

- Epoxy or Eisenheiss coatings
- Motor operated shutters
- Variable pitch sheaves
- Mounting boot - interior or exterior mount
- Explosion proof motors
- Special duty motors
- AMCA spark resistant construction
- Gravity shutters
- Bird screen for shutters
- Reverse flow construction
- Weather hood complete with bird screen
- Motor side guard
- Propeller side guard



MODEL	DIMENSIONS IN INCHES*						WT (LBS) LESS MOTOR	MAX MTR FRAME
	A	B	C	D	E	F		
ABP-24	30	30	25.5	20	2.8	3.5	100	145T
ABP-30	36	36	31.5	20	2.8	3.5	135	145T
ABP-36	42	42	37.5	22	2.8	4.0	170	145T
ABP-42	48	48	44.0	24	2.8	4.5	185	184T
ABP-48	54	54	50.5	25	2.8	4.5	195	184T
ABP-54	60	60	56.5	26	2.8	4.8	270	184T
ABP-60	66	66	62.5	28	2.8	5.0	330	184T

*DO NOT USE FOR CONSTRUCTION

MODEL	PERFORMANCE RATING	
	MINIMUM CFM	MAXIMUM CFM
ABP-24	800	4,900
ABP-30	900	10,600
ABP-36	1,000	16,554
ABP-42	1,642	23,645
ABP-48	5,000	33,160
ABP-54	9,000	37,450
ABP-60	12,850	44,600

CONSULT FACTORY FOR CERTIFIED PRINTS

ABP BELT DRIVE PANEL FANS

PRODUCT SPECIFICATION GUIDE

1.0 GENERAL

- A. Fans shall be model ABP Belt Drive Panel Fans, as manufactured by Continental Fan Manufacturing Inc., of Buffalo, NY, and of the size, capacity and flow direction as indicated on the drawings and fan schedule.
- B. Fans shall be rated and tested in accordance with ANSI/AMCA Standard 210-99.
- C. All motors and electrical components shall conform to NEMA standards.

2.0 FAN HOUSING

- A. Fan housing shall be constructed of welded heavy gauge steel panel and frame.
- B. Fan panel shall have a deep venturi for smooth air entry, and shall be suitable for standard or reverse air flow, as required.
- C. Fan housing and adjustable motor base shall be coated with an air dried gray enamel finish.

3.0 FAN IMPELLER

- A. Axial impeller shall be constructed of spark resistant die cast aluminum airfoil shaped blades secured to a die cast aluminum hub assembly.
- B. Axial impeller blades shall be of adjustable pitch construction with multiple hub-to-blade arrangements to maximize air performance. Blade pitch angles shall be factory set.
- C. Axial impeller hub shall be designed to incorporate a split taper bushing, and be keyed directly to drive shaft.

4.0 FAN MOTOR AND DRIVE

- A. Motor shall be TEFC industrial duty and conform to NEMA standards.
- B. Motor shall be of voltage, horsepower, RPM and enclosure as indicated on the fan schedule.
- C. Fan sheaves shall be cast iron and appropriately sized and aligned.
- D. Fan belts shall be static conducting, plus oil and heat resistant.
- E. Fan shaft shall be steel, turned, ground and polished.
- F. Fan shaft bearings shall be lubricated, self-aligning ball type in cast iron pillow block mounts with external grease fittings.

5.0 OPTIONAL FAN ACCESSORIES

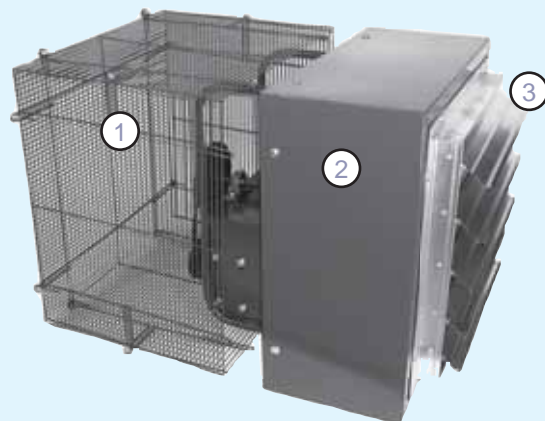
- A. Where indicated, fan shall be provided with the following optional accessories:
 - Bird screen for shutters
 - Weather hood complete with bird screen
 - AMCA spark resistant construction
 - Protective coatings for fan housing
 - Epoxy
 - Eisenheiss
 - Propeller side guard
 - Variable pitch sheaves
 - Motor operated shutter
 - Motors
 - Special Duty
 - Explosion Proof
 - Motor side guard
 - Mounting boot
 - Gravity shutter

6.0 FAN TESTING

- A. Axial impeller shall be balanced and mounted in fan assembly.
- B. Fan assembly shall be run and tested prior to shipment.
- C. A test report shall be maintained on file for each individual fan.

ACCESSORIES / OPTIONS

- 1. Motor side guard
- 2. Mounting boot
- 3. Gravity shutter



Industrial Fan Division

The Industrial Fan Division offers superbly crafted industrial fans and ventilators, expertly supported by a network of independent manufacturers' representatives.



Panel Fans

Centrifugal Fans

Flange Fans

In-line Fans

Roof Ventilators

Iris Dampers

OEM Fan Division

The OEM Fan Division works closely with original equipment manufacturers to meet their design requirements, offering in-stock fan components, 3D models and custom fan solutions.



Cabinet Cooling Fans

Motorized Axials

Motorized Impellers

Centrifugal Fans

Axial Impellers

Centrifugal Impellers

Wholesale Products Division

The Wholesale Products Division offers a superior line of in-stock commercial and residential ventilation products, available from wholesalers and distributors across North America.



Bathroom Fans

Air Purification Systems

In-Line Duct Fans

External Mount Fans

Radial Blade Blowers

Exhaust Fans

USA

www.continentalfan.com

Continental Fan Manufacturing Inc.
203 Eggert Road, Buffalo, NY 14215
Tel: (716) 842 0670 Fax: (716) 842 0611

Canada

www.aeroflo.com

Aeroflo Inc.
12-205 Matheson Blvd. E., Mississauga, ON L4Z 3E3
Tel: (905) 890 6192 Fax: (905) 890 6193

ABP BELT DRIVE PANEL FANS

