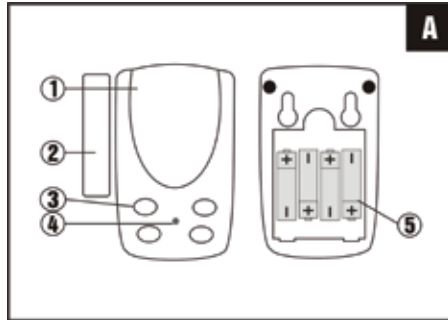


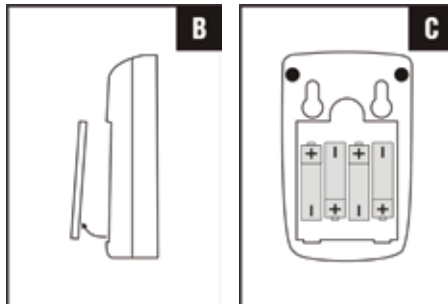
### Controls

1. Siren
2. Magnetic Contact
3. Keypad
4. Battery Low LED
5. Battery Compartment



### Alarm unit battery installation

1. The battery compartment is accessed from the rear of the alarm unit by removing the screw from the back and lifting the back cover *B*.
2. Insert four (4) 'AAA' size batteries (not included) following the polarity *C*.
3. When the last battery is inserted the alarm will beep very loudly to indicate that the batteries are installed properly. Replace the back cover and fix with screw. The Battery Low LED will light when the batteries need replacing.



**NOTE:** After removing the batteries, press number 4 before installing new ones. The alarm must be re-programmed with your security code each time the batteries are removed or replaced.

### Programming the alarm

Immediately after inserting the batteries the desired 4 digit security code must be set, simply press the desired 4 digits on the keypad.

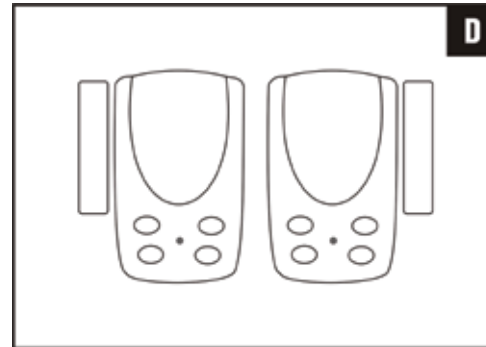
### Installation

#### Alarm

Place the alarm in the desired location, preferably on the door or window with the screws or adhesive velcro tape supplied.

#### Magnetic contact

The magnetic contact must be aligned to the same level next to the alarm so that contact can be made when the door is closed, either on the left or right hand side *D*.



### Operation

#### When exiting from the protected area

Press keypad number 4 and a confirmation tone will indicate that the alarm is armed. You have 30 seconds in which to vacate the area. After this time, if the contact is broken the alarm will sound.

#### When entering the protected area

Simply type your 4 digit security code within 10 seconds. This will disarm the alarm.

### Care and maintenance

To clean the case, simply use a soft slightly damp cloth with water and wipe dry immediately.

**CAUTION:** Never use chemicals to clean the case, as they may cause damage to the plastic and cause the alarm not to function.

### Troubleshooting

#### The unit does not sound when the batteries are installed

Ensure that the batteries are connected correctly according to the diagram in the battery compartment

#### The alarm does not arm

Ensure that the back plate of the alarm unit is secure to hold the batteries in place and that the red light comes on when the keypad buttons are pressed

#### The red light on the base of the alarm unit is on

This is the "Battery Low Indicator". The batteries need replacing

### Battery precautions

When using this product follow these precautions at all times.

- Use only the appropriate size batteries
- Be sure to follow the correct polarity when installing the batteries as indicated in the battery compartment. Incorrect polarity may cause damage to the alarm.
- Do not mix different types of battery such as Alkaline and Carbon-zinc or old batteries with new.
- If the alarm is not used for long periods of time, remove the batteries to prevent damage or injury from possible battery leakage.
- Do not recharge batteries not intended to be recharged as they can overheat and rupture. (Always follow the manufacturer's directions.)

