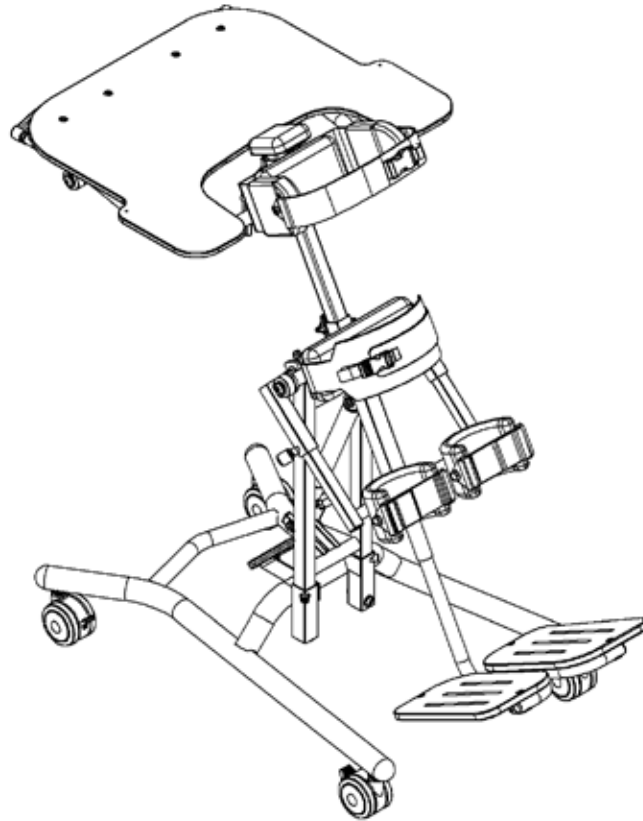


GIRAFFE v2 STANDER

USER MANUAL



IMPORTANT!

Do not use the Giraffe without reading and understanding these instructions. Failure to understand these instructions could result in a serious injury to your child. This product is intended for children from 24" to 48" in height and a maximum weight of 70 lbs.

CONGRATULATIONS...

You have purchased the Giraffe v2 Stander from Snug Seat, Inc. Please read this manual before using the product and keep the information on hand for future reference, as it contains important information. Additional copies and updates for this manual may be found at www.snugseat.com.

We at Snug Seat strive to manufacture highly functional, easy to use, peer-level products that aid in the proper development of children throughout the world.

If you have any concerns, or additional questions, please visit www.snugseat.com, or call customer service at 1-800-336-7684.

SNUG SEAT 
nothing compares to a smile!

July 2011

TABLE OF CONTENTS

Table of Contents, Warnings	2
Warranty & Assembly Instructions	3
Installing Upper Frame Assembly & Trunk Pad	4
Install Tilt Activation Lever	5
Activate tilt	6
Secure Upper Frame to Base Frame	7
Footrest	8
Knees	9
Trunk Pad and Thorax Pad	10
Shoe Holders, Heel Blocks, Abdominal Pad	11
Supine Knee	12
Lateral Supports and Strap for Hip Pad	13
Prone Tray	14
Supine Tray	15
Headrest	16
Cleaning Instructions and Measurements	17

General Warnings and Cautions



Failure to heed these warnings could result in serious injury to the Giraffe user!

- Read and understand all user/caregiver instructions fully before use.
- The Giraffe should not be used without first consulting a physician. Failure to consult a qualified physician prior to use could lead to severe medical problems. We recommend that a good standing program be established and supervised by a qualified registered physical therapist.
- Never leave child unattended in unit.
- The Giraffe is designed for indoor use only.
- The Giraffe should not be used on ramps or uneven surfaces.
- Metal parts may become hot if the Giraffe is left in the sun.
- The Giraffe must be verified to be in safe operating condition before each use. If your Giraffe appears in any way deficient or if there is any doubt as to its continued safe use, discontinue immediately. Contact your healthcare professional or Snug Seat at 800-336-7684 for assistance.
- Keep away from hazards such as ranges, fireplaces, radiators, stairs, escalators, or thresholds.
- Use only Snug Seat approved components. Do not modify your Giraffe in any way or use your Giraffe in any way not described in this manual.
- Adjustments not described in this manual must only be made by authorized Snug Seat personnel.
- When the Giraffe is in use always ensure the Tilt Activation Lever is removed (see page 5). This prevents accidental operation of the gas spring.
- Make all positional adjustments and fully secure each adjustment point before putting a child into the Giraffe.
- The Giraffe contains components that could represent a choking hazard for small children. Ensure all knobs, bolts, and tools that might be within reach of a child are fully tightened at all times.

WARRANTY

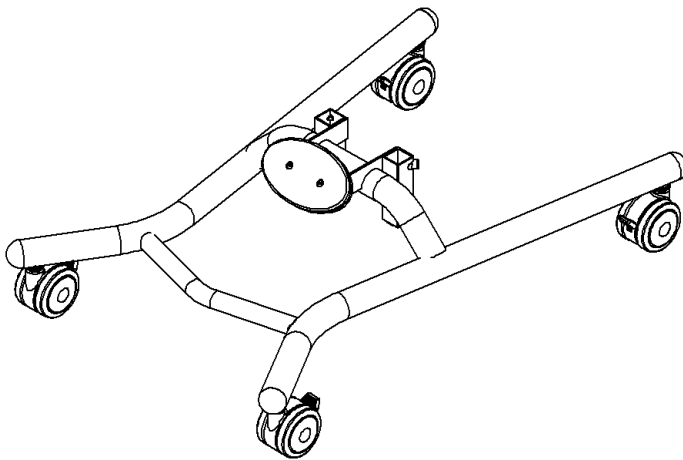
Snug Seat warrants all of its products against defects in workmanship according to the schedule below:

Five years	Metal framework and gas spring
One year	All other components
90 days	All fabric, tires and tubes

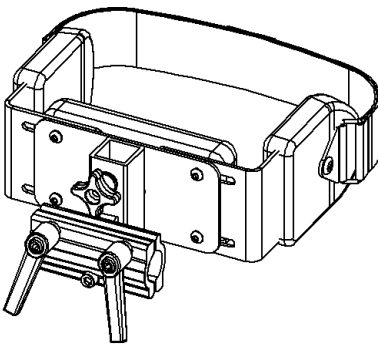
Snug Seat does not warranty parts damaged by improper installation, normal wear and tear, neglect, accident, or misuse.

ASSEMBLY INSTRUCTIONS

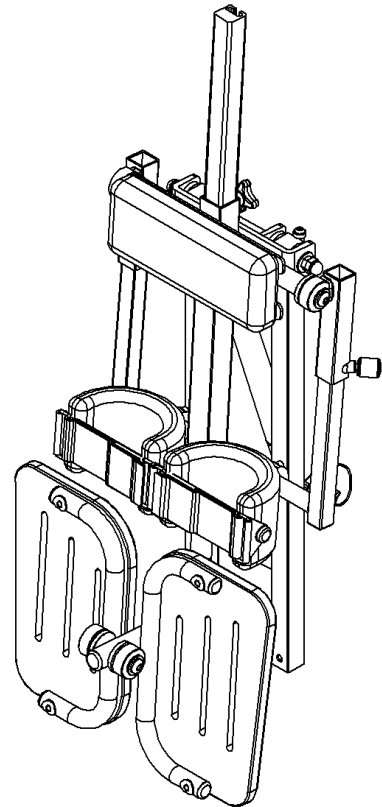
Your Giraffe will arrive in three sections with some very simple assembly required.



Base Frame



***Trunk Pad**



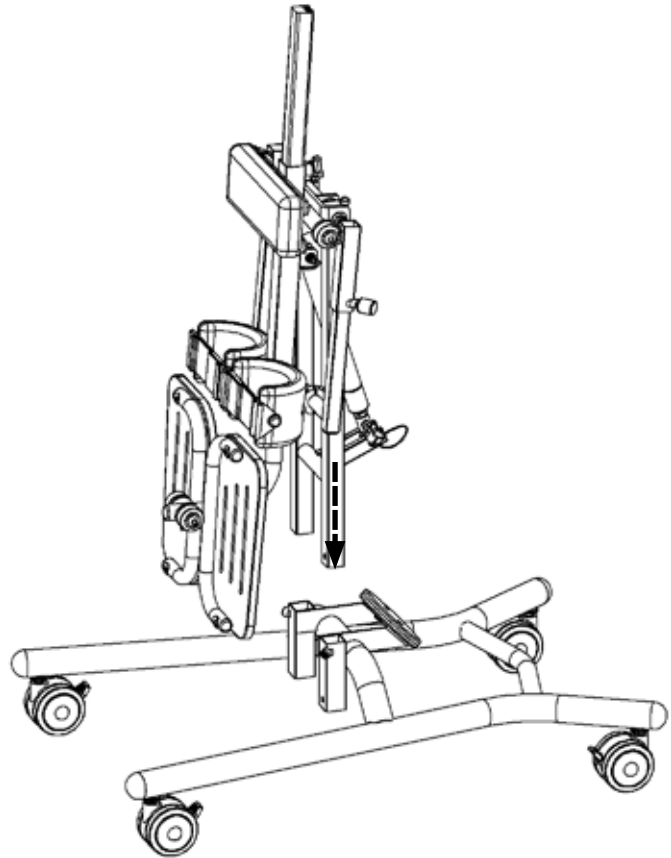
Upper Frame Assembly

***If you ordered a tray, the tray frame will come pre-mounted on the trunk pad.**

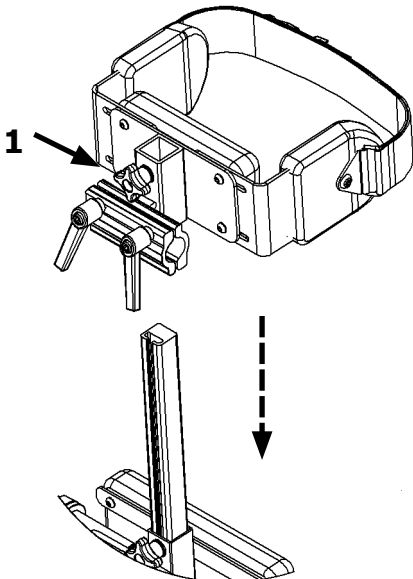
Assembly Instructions (continued)

Assembling Upper Frame into the Base Frame.

Insert Upper Frame into Base



Install Trunk Pad onto Center Spar



Place Trunk Pad onto Center Spar to desired level.
Tighten knob (1) on back of pad.



WARNING!

**When used in prone positions (forward facing)
the top of the center spar should not be exposed
above the top of the top of the trunk pad.**

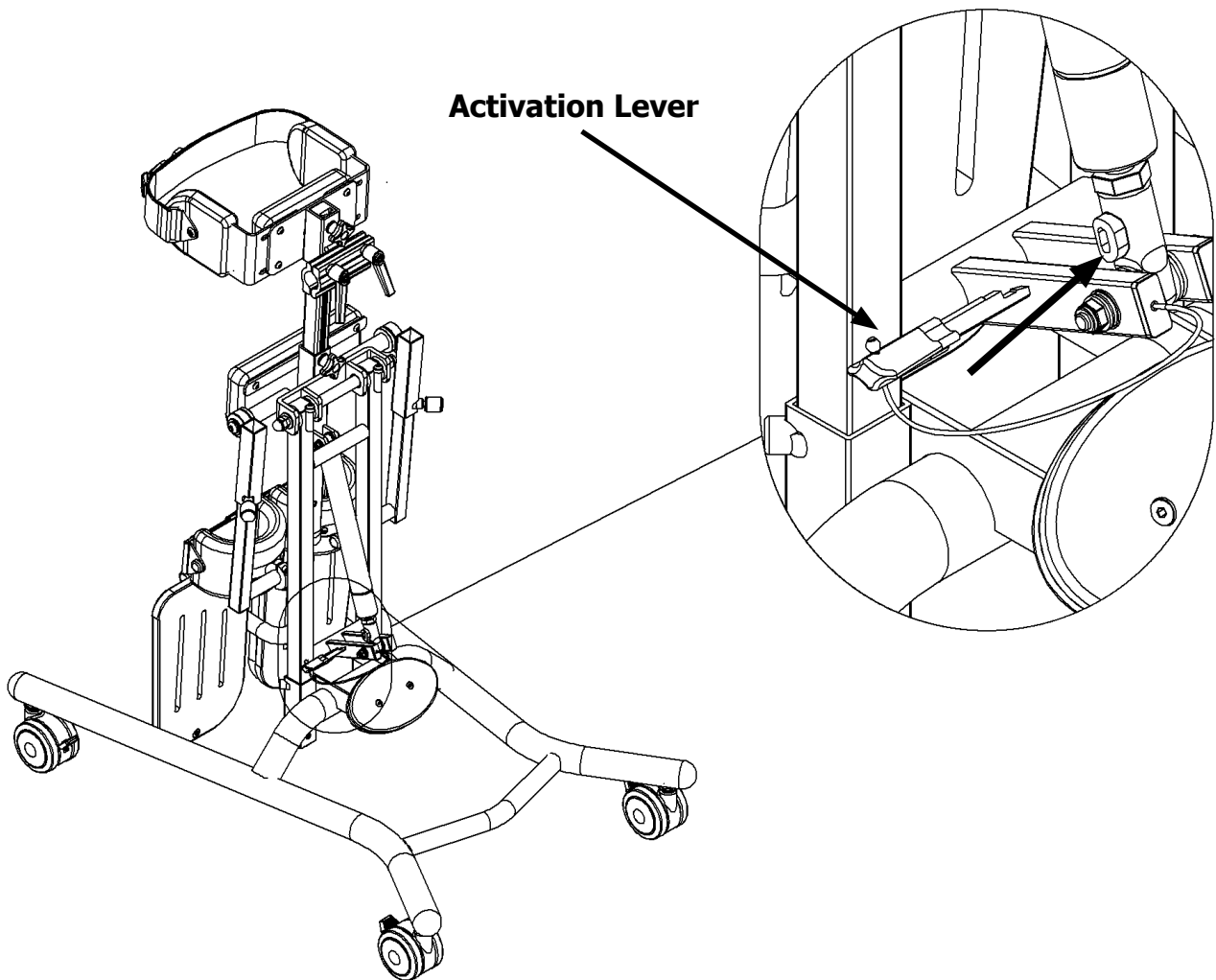
Assembly Instructions (continued)

Install Tilt Activation Lever

Insert tethered lever into actuator - Lever should click into place



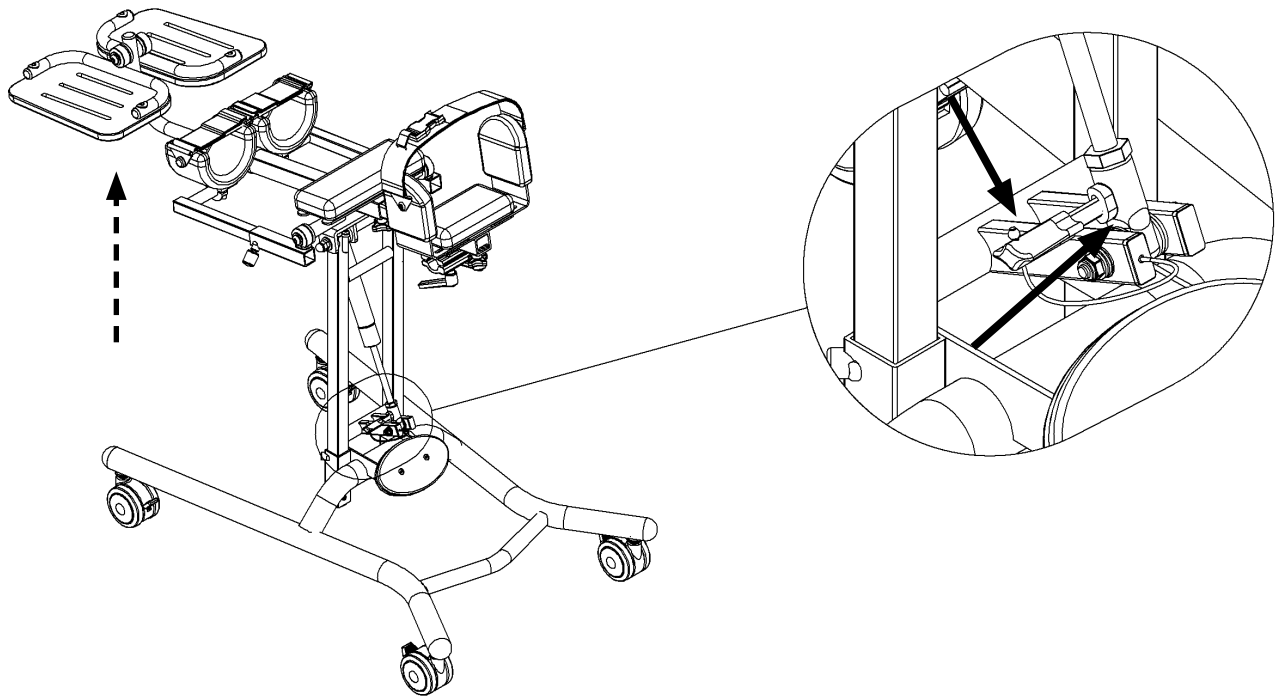
Remove tilt activation lever when Giraffe is in use to prevent accidental activation of the gas spring.



Assembly Instructions (continued)

Tilt platform parallel to floor to make further assembly easier

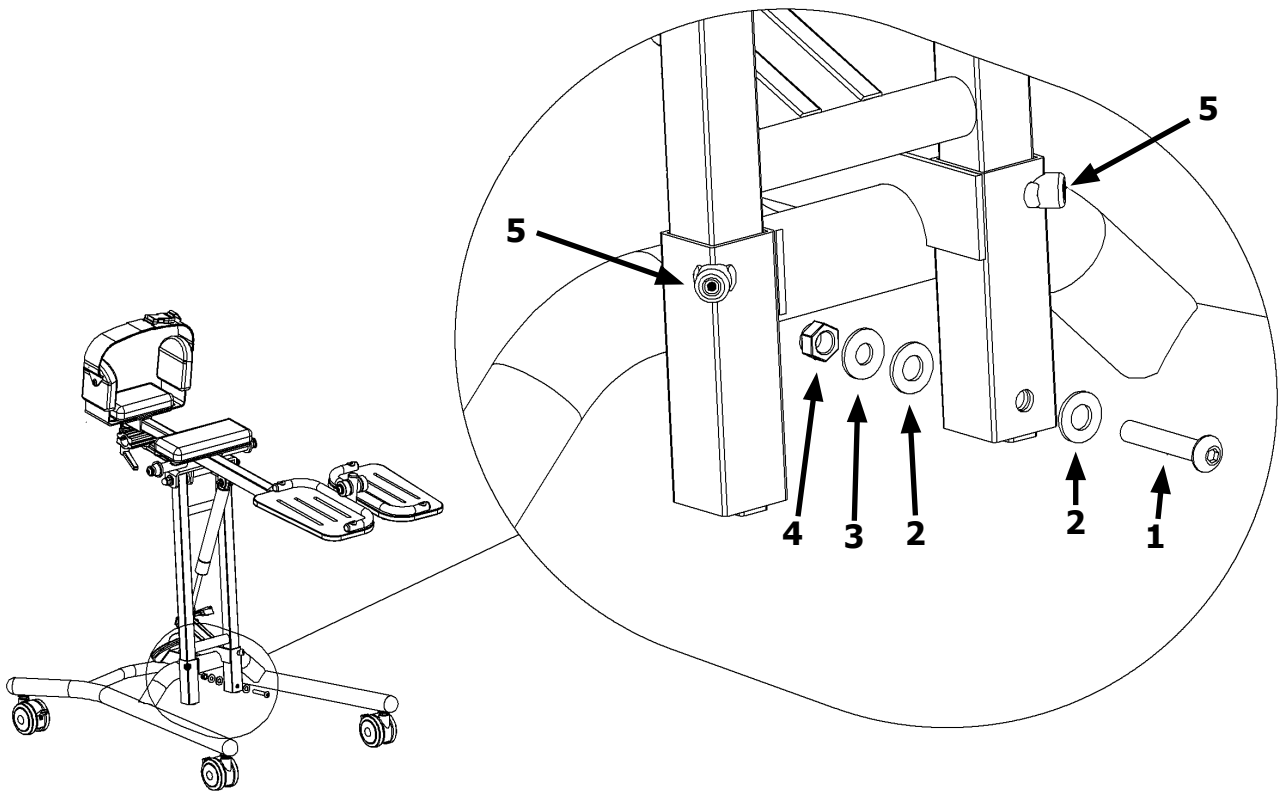
Press Tilt Activation Lever in and down as illustrated below. Raise platform parallel to floor.



Assembly Instructions (continued)

Secure Upper Frame to Base Frame

1. Insert supplied bolt, washers, and nut (positions 1-4) into hole in base frame in the same order as illustrated below. Tighten fully.
2. Tighten both set screws (position 5) as shown below.



Congratulations! - Your Giraffe V2 is fully assembled

GIRAFFE V2 FITTING ADJUSTMENTS

Note - Adjustments on the Giraffe are made using a combination of tools and quick adjustment knobs.



Make all adjustments and ensure that all movable parts are fully tightened before putting a child in the Giraffe!

FOOTREST

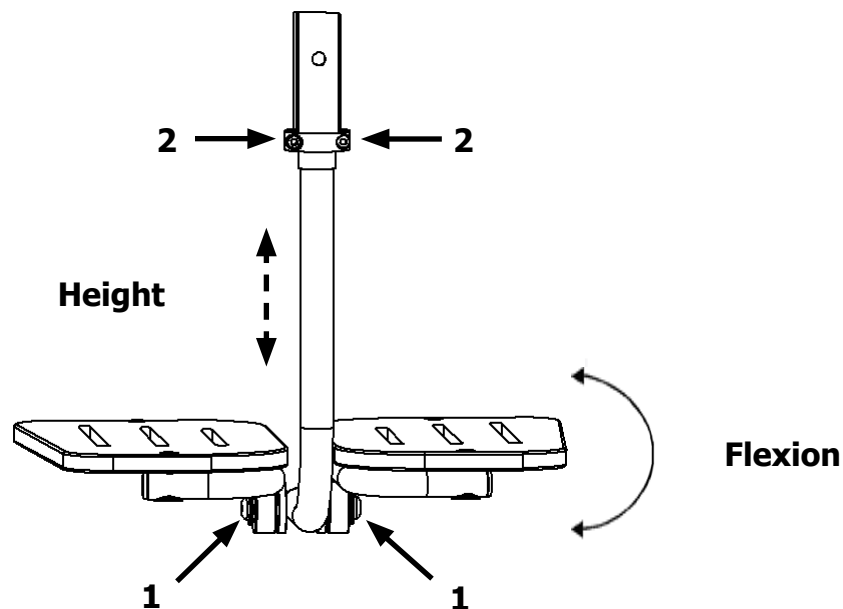
The Giraffe footrest provides Planar/Dorsi Flexion and Height adjustments.

Planar/Dorsi Flexion Adjustment

Loosen bolts/knobs located at position 1 illustrated below, using included tool if necessary. Adjust as needed and re-tighten.

Height Adjustment

Loosen screws located at position 2 illustrated below using included tool. Adjust as needed and re-tighten.



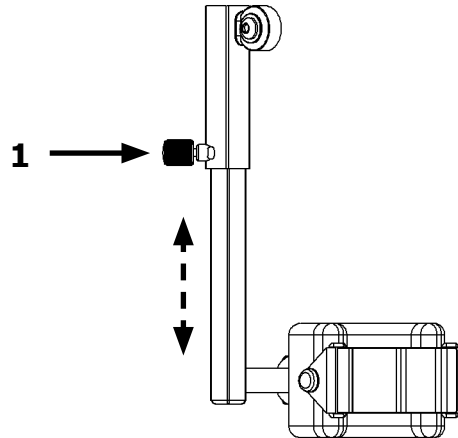
GIRAFFE V2 FITTING ADJUSTMENTS (continued)

KNEES

The Giraffe knees feature independent height, width, angle, and depth adjustments.

Height Adjustment

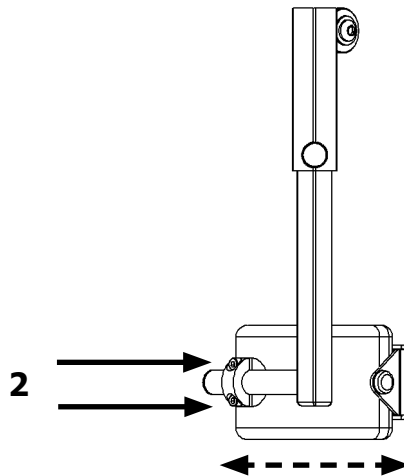
Loosen knob located at position 1.
Adjust as needed and re-tighten.



Width Adjustment

Loosen two screws located at position 2
using included tool.
Adjust as needed and re-tighten.

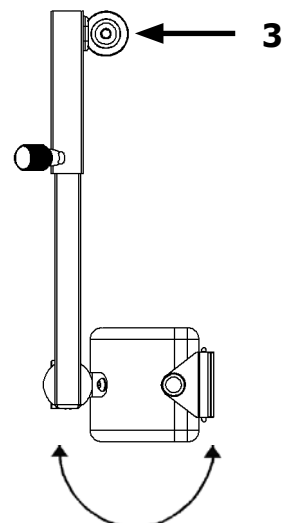
This is also the knee angle
adjustment.



Depth Adjustment

Loosen bolt/knob located at position 3
using included tool if needed.
Adjust as needed and re-tighten.

This is also the knee angle
adjustment.



GIRAFFE V2 FITTING ADJUSTMENTS (continued)

Trunk Pad Assembly

Mounts on center spar to provide anterior/posterior trunk support as well as lateral trunk support. Can be adjusted in height and lateral width.



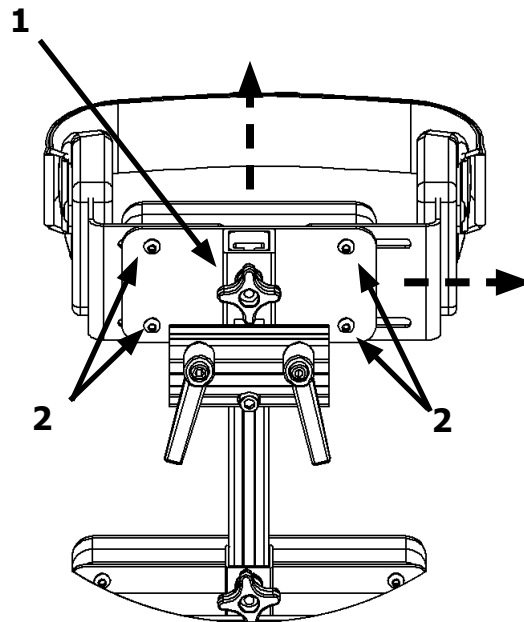
Warning: Do not allow any portion of the center spar bar to extend above the top of the trunk pad when used in prone.

Height Adjustment

Loosen knob located at position 1. Adjust as required and re-tighten.

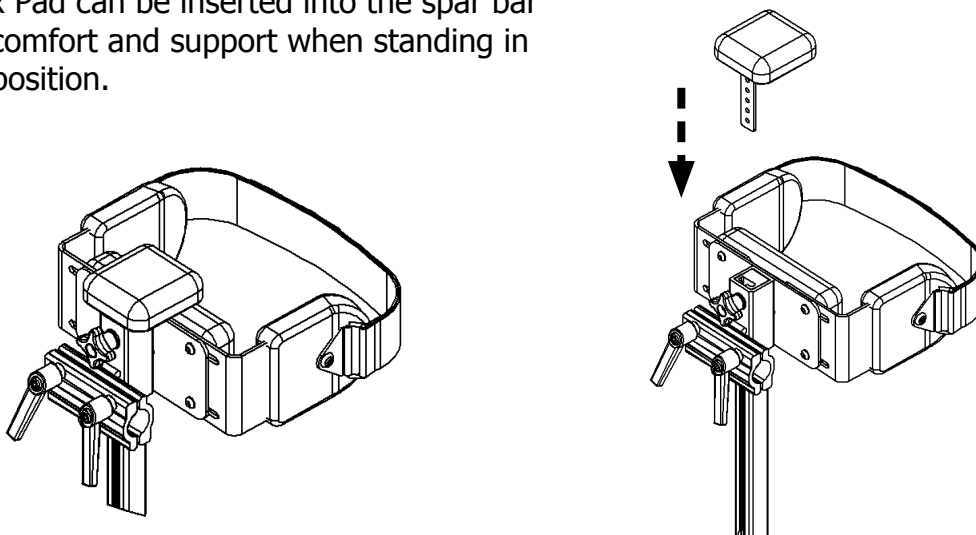
Lateral Width Adjustment

Loosen screws located at position 2 using supplied tool. Adjust as required and re-tighten.



Thorax Pad

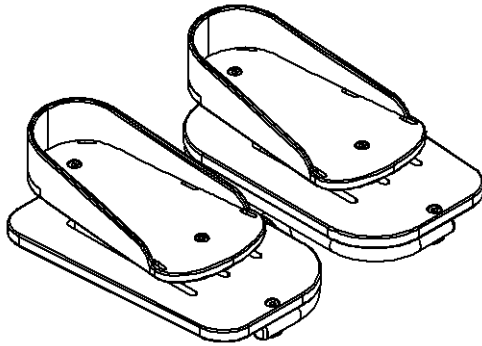
The Thorax Pad can be inserted into the spar bar for added comfort and support when standing in the prone position.



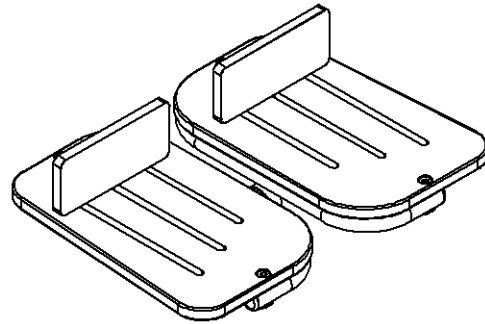
GIRAFFE V2 ACCESSORIES

Shoe Holders and Heel Blocks

Shoe holders and heel blocks can be easily mounted to the Giraffe footplates for additional support and positioning.



Shoe Holders



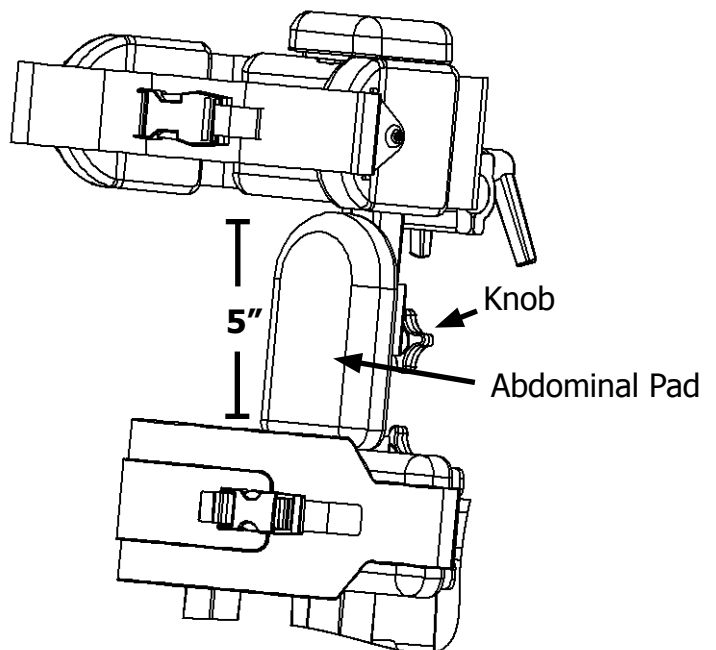
Heel Blocks

Abdominal Pad

The Abdominal Pad can be installed for additional comfort and support when standing taller children.

Slide Abdominal Pad on to spar between the trunk pad assembly and hip pad as illustrated below. Tighten knob on back of abdominal pad.

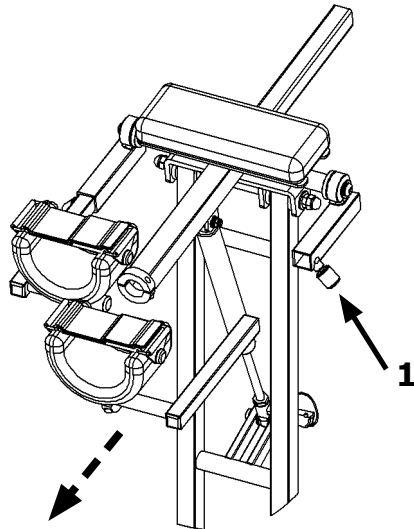
Note - The abdominal pad can only be installed if there is at least 5" of exposed spar bar available between the trunk pad assembly and the hip pad.



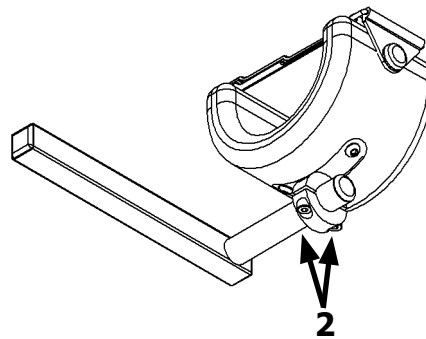
GIRAFFE V2 ACCESSORIES (continued)

Supine Knee Accessory

The Supine Knee Accessory provides additional support and ease of loading when standing in a supine position.

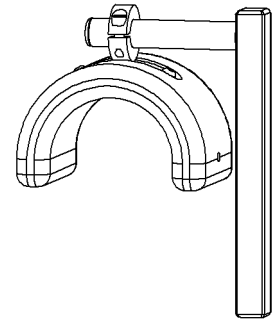


Loosen knob at position 1.
Remove knee assembly.

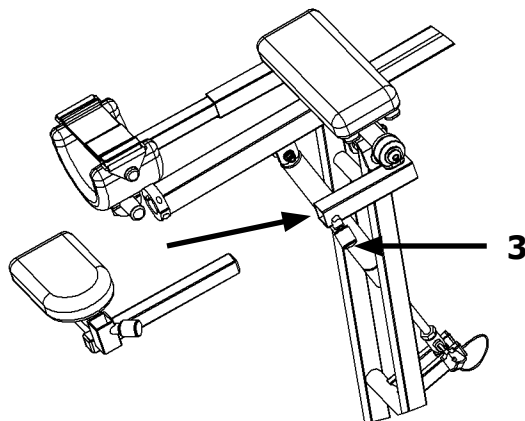


Loosen bolts at position 2
with supplied tool.

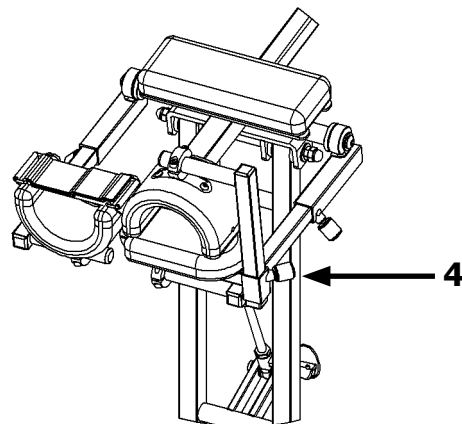
Rotate knee cup as shown
at right. Re-tighten bolts
to desired position when
placing child in Giraffe.



Note - The knee strap is not needed when using the Supine Knee Accessory. It can be wrapped around the back of the knee cup or removed if the Giraffe will only be used with the accessory.



Insert Supine Knee Accessory
into the Giraffe. Tighten knob
position 3.



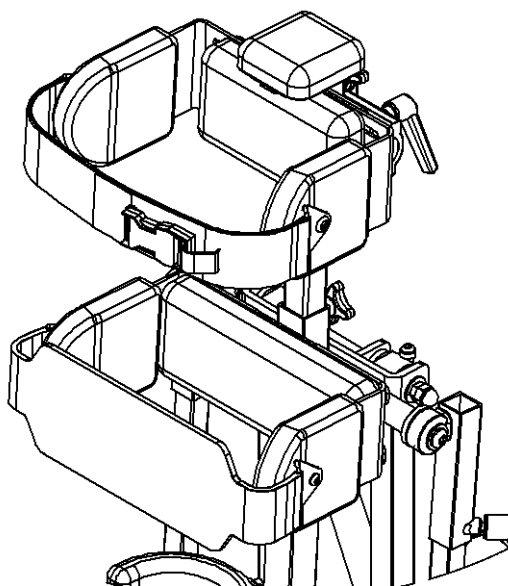
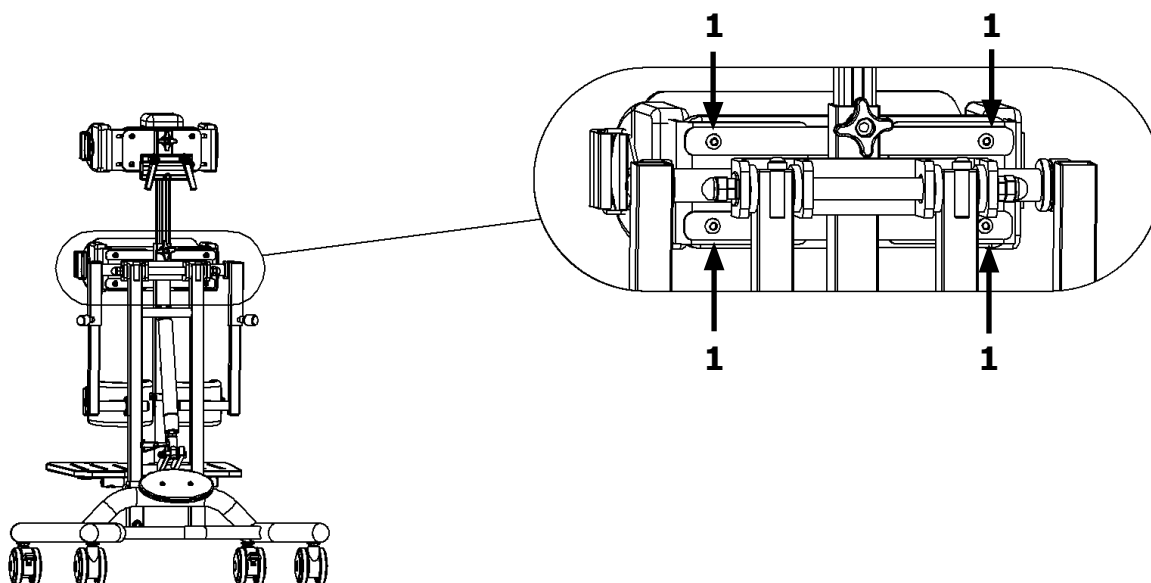
Insert the Knee Assembly into the
Supine Knee Accessory. Adjust as
needed and tighten knob located at
position 4.

GIRAFFE V2 ACCESSORIES (continued)

Lateral Supports and Strap for Hip Pad

Lateral supports can be added to the hip pad for additional positioning at the time of purchase or later.

Loosen screws at positions 1, using supplied tool, to adjust lateral width. Adjust as needed and re-tighten screws.



Hip Pad with Lateral Supports and Strap mounted on Giraffe.

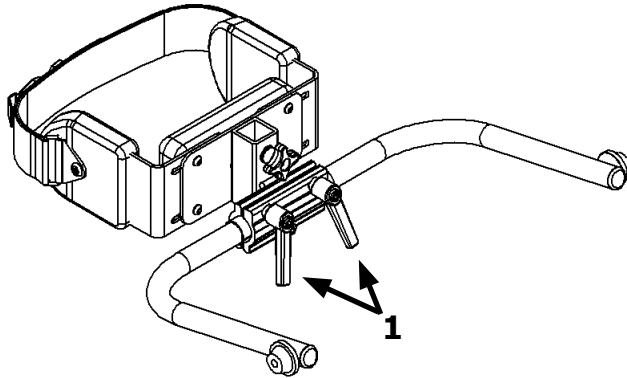
GIRAFFE V2 ACCESSORIES (continued)

Tray

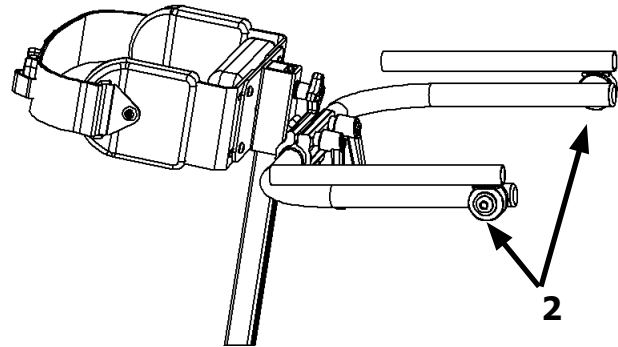
The Giraffe tray can be adjusted for both prone and supine use.

Prone Tray

Adjust tray frame and tray receiver tubes as illustrated below.



Using tray angle locking levers at position 1, position the tray frame as shown above.



Using bolt/knob located at position 2 on both sides, position the tray receivers as shown.

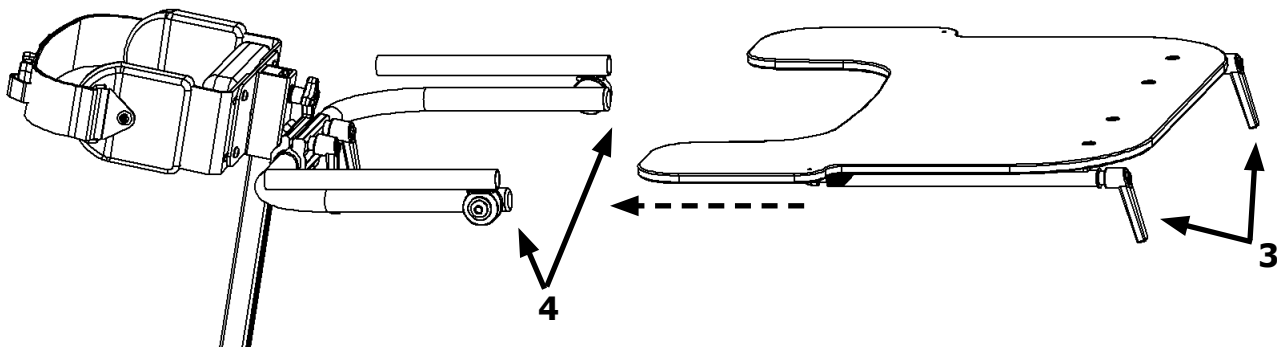
Note: For best results leave one receiver tube slightly loose.

Mount Tray Top

Loosen tray top locking levers located at position 3.

Insert tray top into tray receiver tubes and tighten tray top locking levers, position 3.

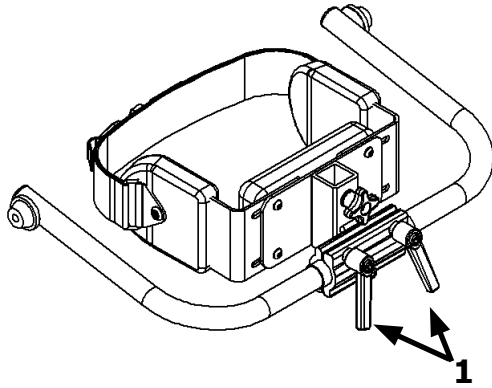
Tighten both tray receiver tubes, position 4.



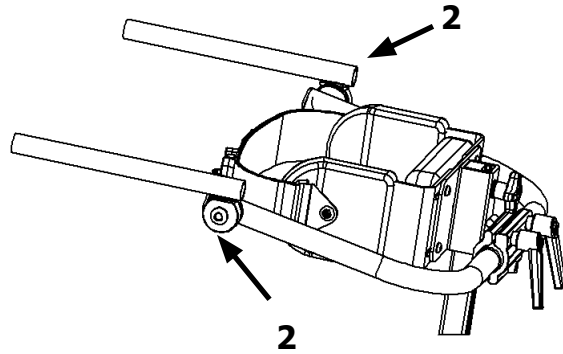
GIRAFFE V2 ACCESSORIES (continued)

Supine Tray

Adjust tray frame and tray receiver tubes as illustrated below.



Using the tray angle locking levers located at position 1, position tray frame as shown above.

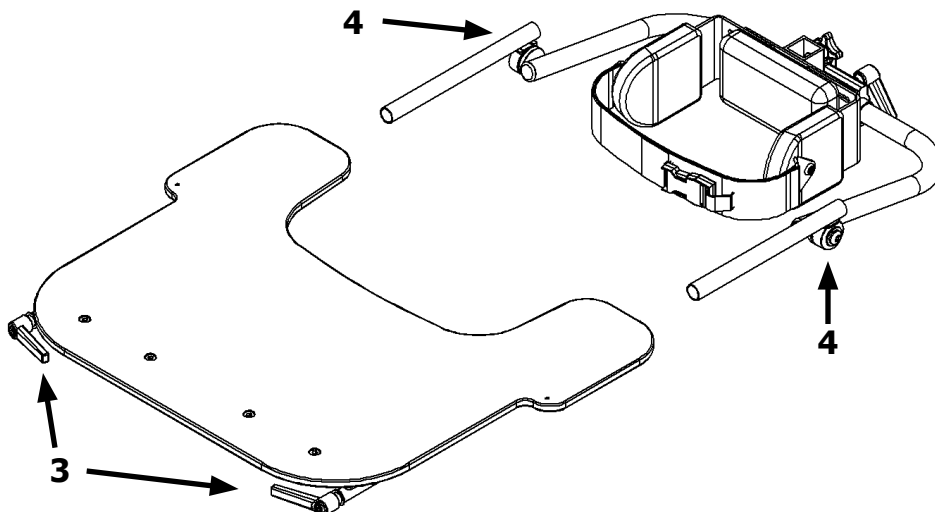


Using bolts/knobs located at position 2, adjust tray receiver tubes as shown above.

Note: For best results leave one receiver tube slightly loose.

Mount Tray Top

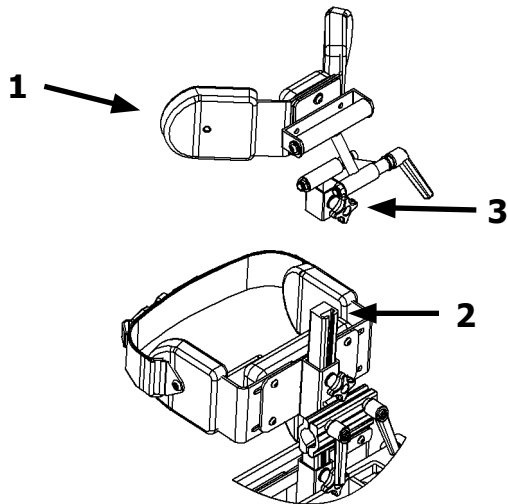
Loosen tray top locking levers located at position 3.
Insert tray top into tray receiver tubes and tighten tray top locking levers, position 3.
Tighten both tray receiver tubes, position 4.



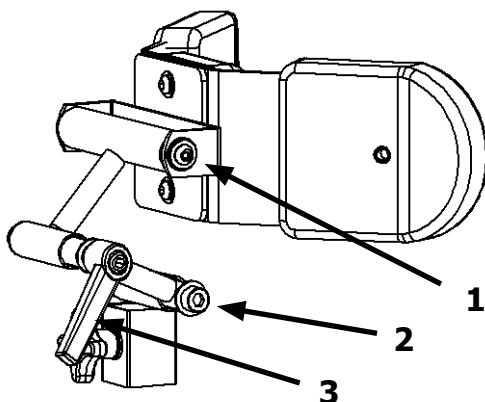
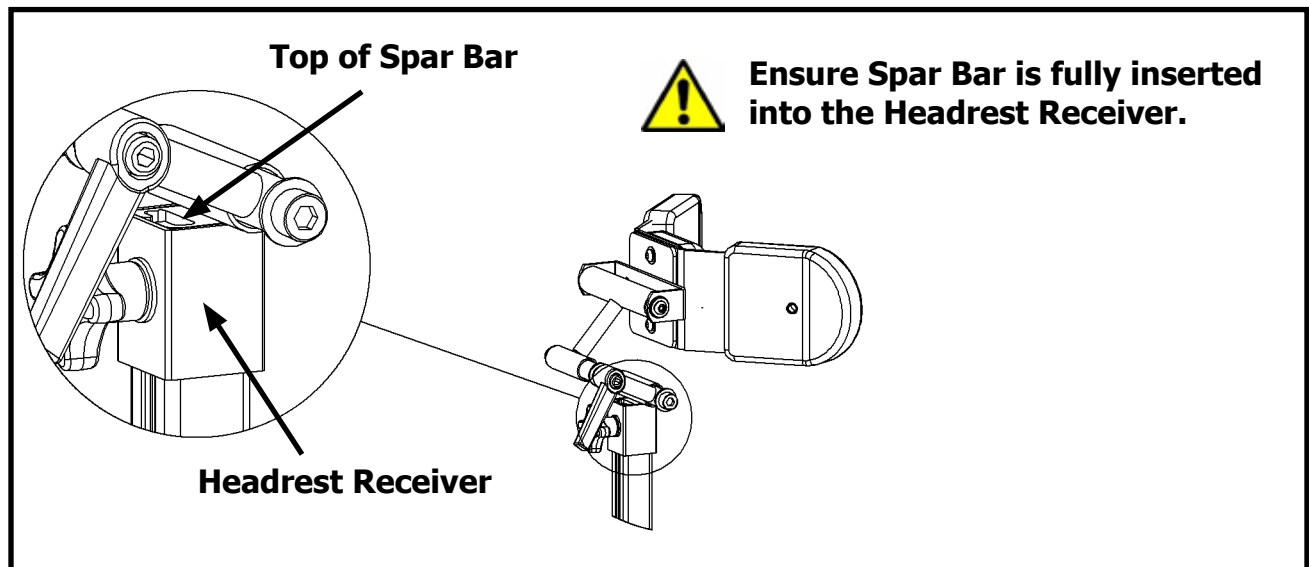
GIRAFFE V2 ACCESSORIES (continued)

Headrest

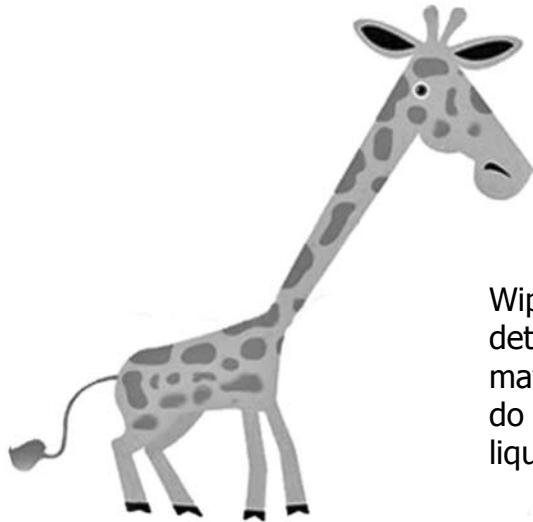
Provides head support when used in the supine position.



Install headrest assembly, position 1, onto center spar, position 2. Tighten knob position 3.



Three pivot points allow the Headrest to reach many support positions. Use included tools and knobs to adjust as needed.



CLEANING INSTRUCTIONS

Wipe the Giraffe with a damp cloth to clean. Use mild detergent if necessary but avoid harsh cleaners as they may damage the Giraffe's surface. To avoid corrosion, do not soak or immerse the Giraffe metal parts in liquids of any kind.

MEASUREMENTS

	Standard System	Early Intervention System
Frame Length	32"	32"
Frame Width	21"	21"
Axilla to foot (Min-Max) - Prone	27"-36"	18"-27"
Axilla to foot (Min-Max) - Supine	25½"-34½"	16½"-25½"
Trunk Pad (Width x Length)	6¼"-3½"	6¼"-3½"
Pelvic Support (Width x Length)	9"-3½"	9"-3½"
Positioning Angle	80°	80°
Lateral spacing, Trunk pads (Min-Max)	5½"-9"	5½"-9"
Lateral spacing, Pelvic pads (Min-Max)	8"-12"	8"-12"
Tray Dimensions (Width-Depth)*	21"-19"	21"-19"
User Height (Min-Max)	34"-48"	24"-36"
Maximum User Weight	70 lbs.	70 lbs.

*Other sizes available for special order.

Made in USA