

# **PEKO**

## **Drying Cabinet**

**Installation and Operating Manual**



**Model:-**  
**ETS-1700 E**  
Electronic sensor drying

## CONTENTS

- ABOUT THE USER MANUAL Page 2
- IDENTIFICATION DATA PLATE Page 2
- IMPORTANT SAFETY INSTRUCTIONS Page 3
- INSTALLATION INSTRUCTIONS Page 4
- OPERATING INSTRUCTIONS Page 9
- CARE AND MAINTENANCE Page 13
- TROUBLE SHOOTING AND SERVICE Page 14
- TECHNICAL DATA Page 15

## ABOUT THE OPERATING MANUAL

This manual describes the cabinets functions and operation and includes instructions for installation and maintenance.

PEKO Equipment Limited reserve the right to make improvements and/or changes to the cabinet and to the contents of this manual:

Origination: 01/2008

Revised 05/09: UK version

Revised 07/09: v2 Dimensions

Revised 05/11: v3 Programme update

Revised 07/13: v4 Vent spigot

Peko Equipment Limited  
Peko House  
Northbridge Road  
Berkhamsted  
Herts. HP4 1GE

tel: 01442 872323

fax: 01442 866900

www.peko.co.uk

## DATA PLATE DETAILS



Located inside the cabinet  
on the left hand side panel

### Your Reference

Date of purchase:

Serial number:

# IMPORTANT SAFETY INSTRUCTIONS

## IMPORTANT

These instructions and warnings have been provided to help avoid misuse and unnecessary risks and should be read before the cabinet is installed and used.

*NOTE: Keep this manual in a safe place so that it is always available for future use.*

## WARNING

To reduce the risk of fire, electric shock, or injury to the person when using the appliance, follow basic precautions including the following:

- Read all the instructions before using the appliance.
  - Do not dry articles that have been previously cleaned in, washed, soaked or splashed with petrol or other flammable or explosive substances as they give off vapours that could ignite or explode.
  - Do not allow children to play on or in the appliance. Close supervision of children is required whilst the cabinet is in operation.
  - Do not install or store this appliance where it will be exposed to the weather.
  - Do not tamper with the controls.
  - Do not repair or replace any part of the cabinet or attempt any servicing unless specifically referred to in this manual.
  - Do not use fabric softeners or products designed to eliminate static unless recommended by the manufacturer.
  - Do not use heat to dry articles containing foam rubber or similar textured rubberised materials. To dry this type of material use the cabinet with only the fan operating.
  - Keep area around the exhaust opening and adjacent areas free from the accumulation of dust, lint and fluff.
- Check the exhaust ducting terminal grille for any blockages or build-up of lint, and clean regularly.
  - The interior of the appliance and the exhaust duct should be cleaned periodically by a competent person.
  - The manufacturer accepts no liability for repairs carried out:-
    - a) by unauthorised personnel.
    - b) use of non-standard parts.

## WARNING LABELS



Affixed to rear inside panel



Underside of heater cartridge

# INSTALLATION INSTRUCTIONS

## UNPACKING

**WARNING:** The cabinet should be handled and transported with care. The unit is top heavy with the risk of tipping over when positioned on its wooden pallet.

*Check that the goods have not been damaged in transit. Any damage should be recorded on the delivery note and reported to your dealer immediately.*

After unpacking, check that the cabinet is in good condition. Any damage or shortages should be immediately reported to the supplier. Occasionally the door sealing gasket may be compressed by the packaging material and a gap will be visible. This will not impair the overall performance of the cabinet. Once the cabinet is in operational use and heat is applied, the gasket should restore itself to seal the gap.

Remove all packaging material. Do not use sharp implements which could damage the cabinet.

*Check that all restraining tape and protective polystyrene buffers are removed from inside the cabinet.*

## CONTENTS

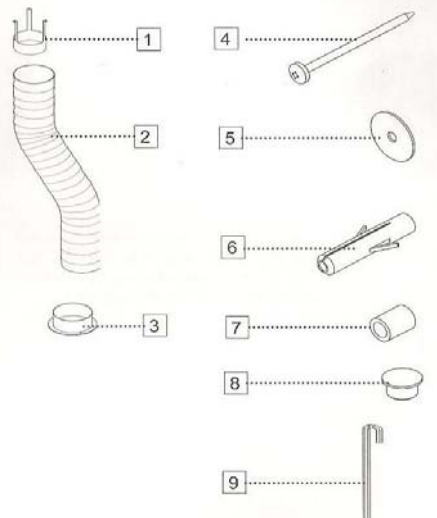
The drying cabinet is supplied complete together with a user manual and fixing kit.

Fixing kit.

Ref.	Description	Qty.
1	Ventilation adaptor	1
2	Flexible hose approx 1m.	1
3	Spigot adaptor to cabinet	1
4	Screw, Posi 5 x 70	2
5	Washer, 5 x 25	2
6	Wallplug	2
7	Nylon spacer 8.2 x 12 x 15	2
8	Cover plug, white	4
9	Levelling toolbar	1
10	Screw to fix spigot, Torx 3 x 10	2
11	Pull handle incl. 4 x Torx screws	

Items 10 and 11 are not shown on the assembly kit diagram.

Assembly kit:



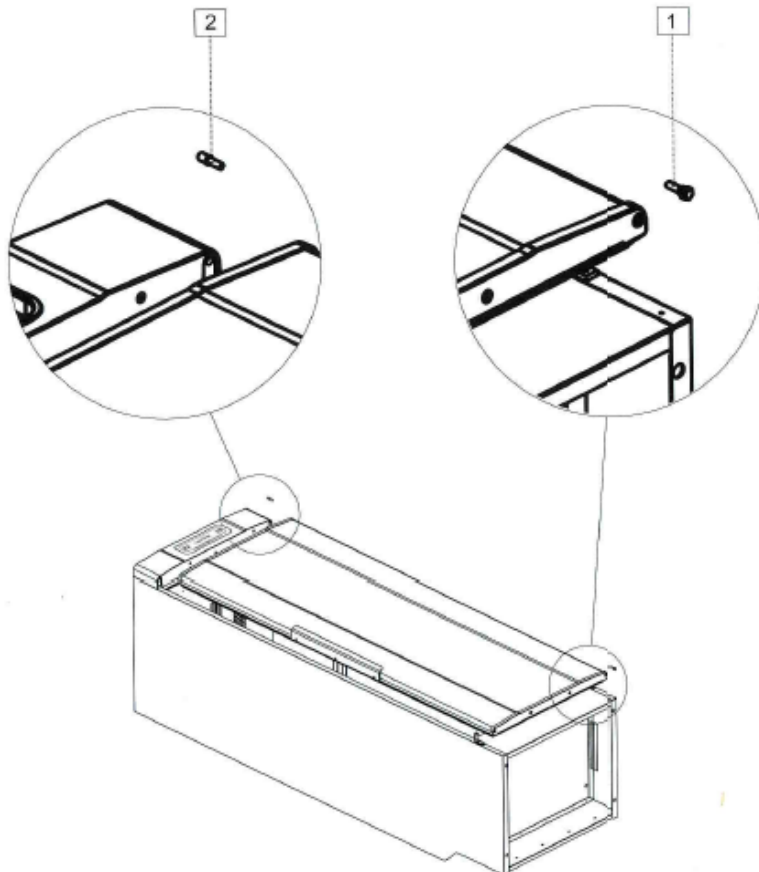
## INSTALLATION INSTRUCTIONS (cont.)

### REVERSING THE DOOR HINGE SIDE

The door is supplied with the hinges to the right hand side as standard. Follow the instructions below to change to left hinge .

1. Use the packaging material on the floor to protect the cabinet, then place down with the door uppermost.
2. Remove the pivot pin from the lower hinge (1) and lift off the door.
3. Remove the lower plastic guide plug on the unused hinge bracket and refit to the opposite side.
4. Unscrew the pivot pin from the upper hinge (2) and re-fix to the opposite side.
5. Turn the door upside down and locate into the upper hinge pin; position door on lower hinge bracket and plastic guide, then screw in the lower hinge pin with the washer between the door and bracket.

Note:- With care and assistance, the above procedure can be carried out with the cabinet in the upright position once the unit has been secured to the wall.



# INSTALLATION INSTRUCTIONS (cont.)

## LOCATING AND FIXING THE CABINET

The appliance should not be located in a position such that any doorways or safety exits are impeded with the cabinet door open and the hanging rails extended.

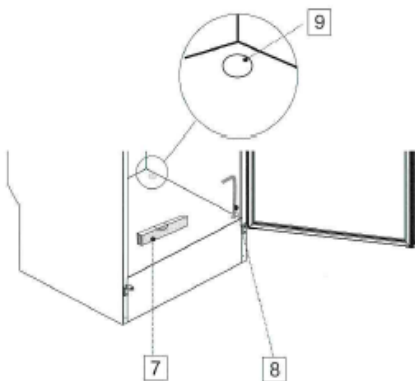
The drying cabinet is only designed for operation indoors in a dry environment at a temperature above freezing point.

The unit should not be installed in areas where high pressure water cleaning is carried out.

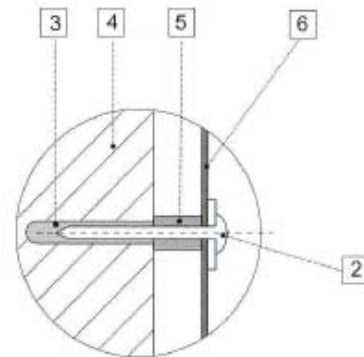
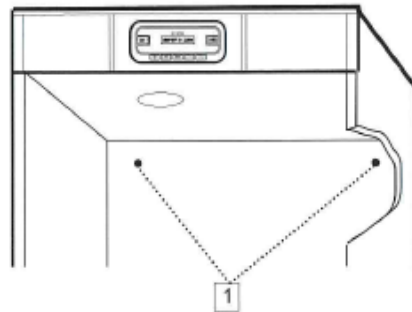
The cabinet should stand level on a flat surface. Adjust using the toolbar through the access holes in the base panel of the unit. Ensure that the top edges of the doors are level.

The cabinet must be screwed to the wall to prevent it tipping forward when the doors are opened. There are two holes in the rear panel of the unit for securing the dryer to the wall.

Open the door and drill two 8mm holes through the rear panel into the wall avoiding any hidden water pipes or cables etc. Insert the wall plugs and with the spacers and washers supplied, screw the cabinet back to the wall. Fit the 4 plastic plugs to the base of the cabinet. Fix the pull handle to the side of the door with the 4 Torx screws provided.



**WARNING**  
*The cabinet must be fixed to a solid wall.*



- 1 Pre-drilled hole
- 2 Fixing screw with washer
- 3 Plastic wall plug
- 4 Wall construction
- 5 Nylon spacer
- 6 Back panel of cabinet
- 7 Spirit level
- 8 Levelling toolbar
- 9 White plastic plugs

## INSTALLATION INSTRUCTIONS (cont.)

### EXHAUST CONNECTION

The cabinet can be connected to an exhaust duct in two ways:

*The exhaust ducting should not be connected into an existing chimney, boiler flue or tumble dryer system.*

#### 1. CONNECTION TO AN EXISTING SYSTEM

This method is only suitable for buildings that have an existing mechanical ventilation system, or where the room has a dedicated extraction fan with a capacity of 45 m<sup>3</sup> / hour. In both cases the ducting must terminate on an outside wall.

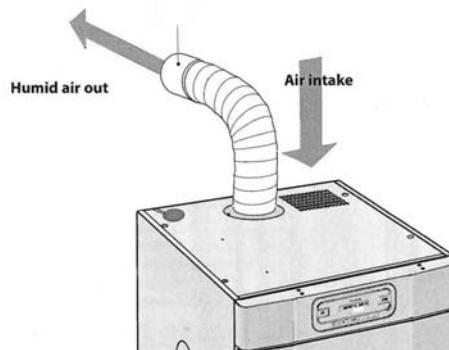
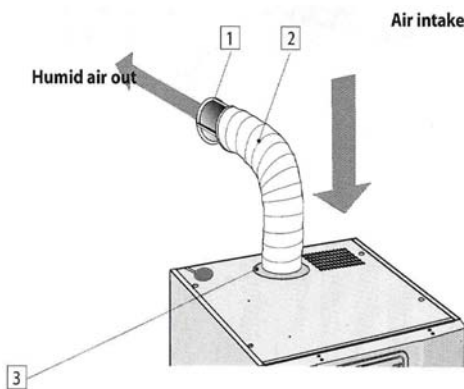
Fit the spigot to the top of the cabinet using the 2 small Torx screws. Fit the white plastic ventilation adaptor over the existing wall or ceiling mounted grille (fixing screws for this 'tripod' type fitting are not supplied), and then connect to the cabinet using the flexible hose. Note: The exhaust ducting fittings supplied are standard 100mm diameter, and any additional hose or fittings required are available from most builders merchants and hardware stores.

#### 2. DIRECT CONNECTION TO OUTSIDE WALL

Fit the plastic spigot under the three lugs on top of the cabinet. Core cut a 100mm. diameter hole in the outside wall, or alternatively cut a hole in a fixed pane of window glass. Fit an appropriate terminal grille with a fixed open louvre, preferable one with an integral insect mesh screen.

Notes:

- Standard tumble dryer back draught shutters are not suitable.
- The maximum effective length of ducting to outside is 3m.
- Rigid metal and plastic pipe can also be used for the exhaust ducting.
- Ensure that the ducting and terminal grille are cleaned on an annual basis.



- 1 Ventilation adaptor
- 2 Flexible plastic hose
- 3 Spigot adaptor to cabinet
- 4 Hose coupler to extend ducting; not supplied

The air intake grille must not be covered. Do not use the top of the cabinet as a storage shelf.

## INSTALLATION INSTRUCTIONS (cont.)

### ELECTRICAL CONNECTIONS

The cabinet is supplied ready for connection to the power supply with a UK style three pin plug complete with a 10 A fuse.

The power supply rated at 220- 240volt, 50-60 Hz.

The power cable is approx. 1.8m in length.

The plug (and socket outlet) should be in an accessible position for ease of removal. An alternative arrangement could be a high level fused outlet plate with a separate switch at worktop height.

If the power cable is damaged in any way, it must be replaced. Replacements are available from your main supplier or dealer.

*If the plug supplied is not suitable for the socket outlet, or if the appliance is to be connected to fixed wiring, it should be cut from the supply cord and disposed of immediately. If the severed plug is introduced into a live socket outlet there is a risk of electric shock.*

NOTE: Should the plug need to be replaced for any reason, the wires in the mains lead are coloured in accordance with the following code:

Green and Yellow:	Earth
Blue:	Neutral
Brown:	Live

The wire coloured green and yellow must be connected to the terminal marked with the letter 'E' or by the earth symbol =, or coloured green and yellow. The wire coloured blue must be connected to the terminal 'N' or coloured black. The wire coloured brown must be connected to the terminal marked 'L' or coloured red. If the fuse incorporated in the plug needs to be changed then it should be replaced with a fuse approved by ASTA to BS1362, rated at 10 A.

**WARNING: This appliance must be earthed.  
If in any doubt consult a competent person.**



# OPERATING INSTRUCTIONS

## GENERAL

### **WARNING**

*To reduce the risk of fire, electric shock, or injury to the person, read the IMPORTANT SAFETY INSTRUCTIONS before operating this appliance.*

## **Model ETS-1700 E**

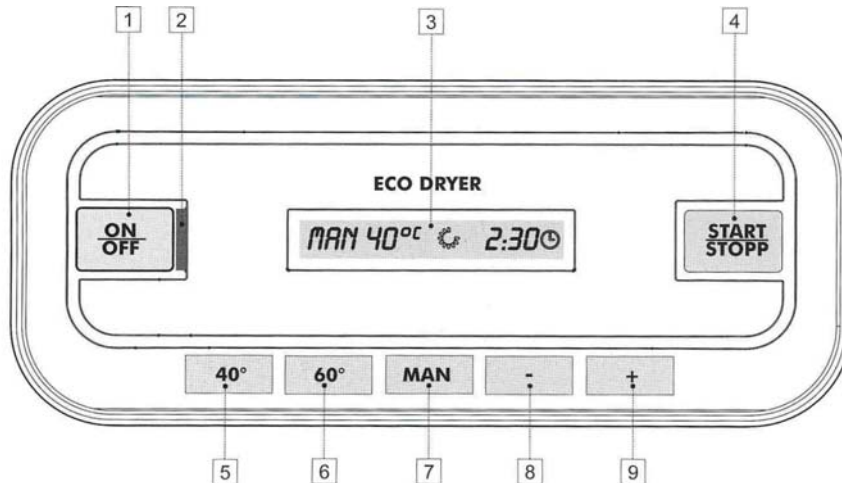
The cabinet contains three shelves each comprising 10 hanger rails. The shelves can be pulled forward to assist loading, then pushed back inside the cabinet before closing the door. The middle and lower sets of rails are hinged and can be folded back to the upright position against the rear panel. This option allows longer garments to hang freely from the top set of rails. The inside panel of the door is fitted with three brackets that are suitable for drying small items of clothing.

## **LOADING THE CABINET**

- Do not lay items flat on the upper hanging rail section.
- Hang long clothing to the outer walls of the cabinet with shorter items to the centre.
- Hang gloves, scarves, socks and small items on the hanging bars fixed to the inside door panel.
- Do not overload the drying cabinet. The washing will become creased and dry unevenly.
- Leave some space between items, especially through the centre of the cabinet for improved drying efficiency.
- Separate dark and white loads to avoid transferring colours.
- Avoid drying thick clothes at the same time as lighter articles as they hold more moisture and will take longer to dry.
- Delicate and knitted garments should be laid flat on the hanging shelves to avoid creases.

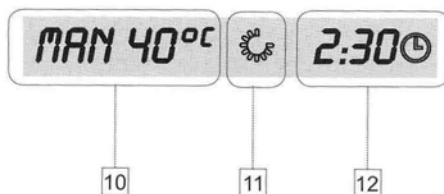
## OPERATING INSTRUCTIONS

### OPERATING CONTROL PANEL



1. Main power switch
2. Power on indicator—green
3. Display screen
4. Programme Start / Stop
5. Automatic programme 40°
6. Automatic programme 60°
7. Manual time control / step function
8. Reduce drying time function
9. Increase drying time function

### DISPLAY



10. Current programme selection
11. Revolving symbol indicating drying process in progress
12. *Manual programme setting*, display shows total time that counts down, or *Automatic programme setting*, display shows cool down cycle only

## OPERATING INSTRUCTIONS (cont.)

### DRYING PROGRAMMES

The drying cabinet is equipped with two automatic programmes

- AUT 40°C Sensor control
- AUT 60°C Sensor control

In addition the drying cabinet has four time-controlled programmes

	Default setting	Range
• MAN 30°C	150 mins.	15 - 360 mins.
• MAN 40°C	150 mins.	15 - 240 mins.
• MAN 60°C	150 mins.	15 - 240 mins.
• MAN -- °C (Fan only, no heat)	480 mins.	15 - 720 mins.

The automatic programmes shut off the drying process when the laundry is dry or up to a maximum default run time of 180 minutes.

The manually time-controlled programmes switch off after the set time has elapsed.

All programmes with heat finish with a 10 minute cool down period.

### DRYING FUNCTION

*TO START THE DRYING PROGRAMME:-*

- Last used drying programme.  
Press the main power switch (1) to the ON position. This is indicated by a green light (2). The display shows the last used programme. If this is required for the next programme, press the START / STOP button (4)
- Automatic programmes.  
Press the 40° or 60° buttons as required then press START / STOP.
- Manual time control function.  
Using the MAN button (7), toggle between 30°, 40° and 60° or Fan only to select the desired temperature. The display shows the standard drying time for the respective programme.  
The standard time can be increased or decreased with the plus (9), or minus (8) buttons.

Once the drying cycle has been selected press the START / STOP button(4).

## OPERATING INSTRUCTIONS (cont.)

### DOOR OPEN

If the door is opened when the drying programme has been started with the START / STOP button (4) activated, the display will show 'CLOSE DOOR'. When the door is closed, the selected programme will re-start. If the door is left open during the drying process the heating effect is automatically turned off. The fan continues to operate for a further 5 minutes. The display shows 'CLOSE DOOR', and, subsequently, the remaining 5 minutes of the effective cool down period counts down.

If the door is closed within the first 5 minute period the drying process as originally selected will continue as follows:-

*Automatic programme:* initiates new programme resulting in extended drying time.

*Manual programme:* restarts and counts down from the time of interruption.

*Note: If the door is left open for over 5 minutes, the programme is cancelled and must be restarted.*

### DURING OPERATION

The revolving symbol on the display indicates that the drying process is in progress.

### COOLING DOWN

During the 10 minute cooling down period, the display indicates 'COOL' in the programme selection field. The time is counted down with the remaining minutes shown in the time field.

### END PROGRAMME

When the cooling down period is complete, the drying process is finished. The display screen will flash 'END'. When the 'START / STOP' button is pressed or the door is opened, the last completed programme type is displayed.

### STOP

To interrupt the drying process at any point during the cycle, press 'START / STOP' (4)

*Note: If power to cabinet is not switched off within 10 minutes of the end of the cycle, the display will go into sleep mode. To restore the display screen press any button on the control panel or open the door.*

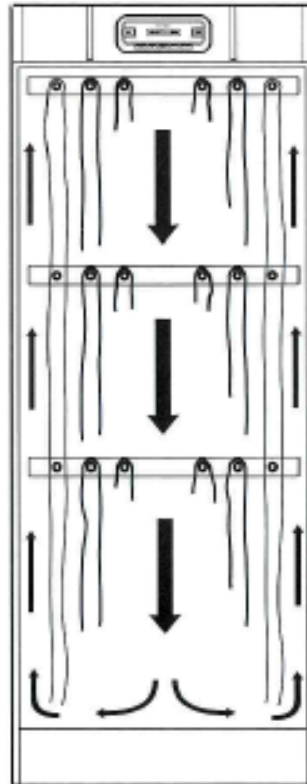
## OPERATING INSTRUCTIONS (cont.)

### SETTING THE CONTROLS

- Always follow the washing instructions as shown on the care labels.
- Set the temperature and the time to suit the most delicate articles to be dried.
- Remove garments from the cabinet as they become dry. This will speed up the drying process for the remaining damp items.

### AIRFLOW

The diagram to the right shows the optimum airflow through the cabinet with longer garments positioned on the rails closest to the side panels. Small items hanging on the centre rails will allow the warm air to circulate more efficiently.



## CARE

### CLEANING

The cabinet should be cleaned (inside and out) with a mild detergent and damp cloth. Dust will collect on top of the cabinet, especially around the air intake. This may cause problems leading to machine failure and is also a fire risk. To avoid these problems the top of the cabinet should be vacuum cleaned at least once a year or more frequently depending on the location of the unit and its application.

*High pressure water jet cleaning should not be used on this cabinet.  
The use of bleach, caustic solutions and abrasive materials is not recommended.*

# TROUBLESHOOTING AND SERVICE

## PROBLEM

The fan does not operate and the cabinet is not heating up:-

*Check that the cabinet is connected to the power supply and that the fuses are intact.*

The drying cabinet is not heating although the power supply to the unit is confirmed:-

*If the green power indicator is not illuminated then the over heat thermostat may have tripped out. Switch off the mains power supply to the cabinet, leave for 20 minutes, then restore the power supply. Press the ON / OFF button several times to assess whether the power has been restored as indicated by the green lamp.*

Resonance or vibration occurs when the fan is running:-

*Ensure that the cabinet is level in both planes and is fixed to the wall. If the problem persists try adjusting the feet ensuring that they are all in contact with the floor.*

In the event of further or persistent problems please contact your dealer.

The service module can be removed from the cabinet to enable any repairs or maintenance work to be carried out.

## WARNING

Isolate the electrical supply and remove the plug and power cord before withdrawing the service control unit.

## REPLACING THE POWER CORD

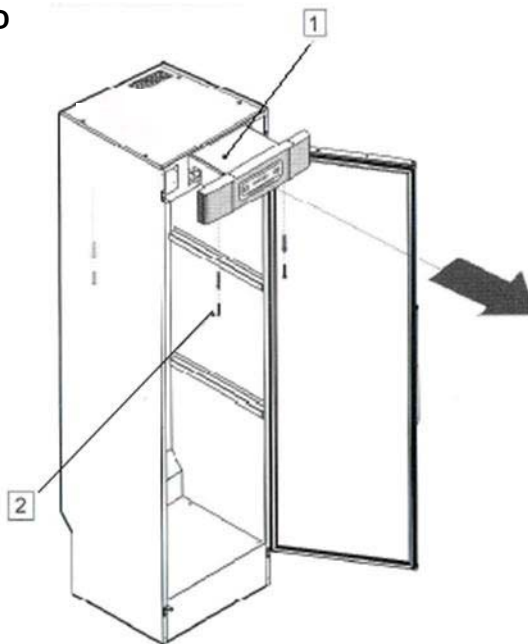
If the power cable is damaged in any way, it must be replaced. Replacements are available from your main supplier or dealer.

**NOTE:** Replacement power cords should only be fitted by a qualified electrician.

NOTE: Should the plug need to be replaced for any reason, the wires in the mains lead are coloured in accordance with the following code:

Green and Yellow: Earth  
Blue: Neutral  
Brown: Live

The wire coloured green and yellow must be connected to the terminal marked with the letter 'E' or by the earth symbol  $\perp$ , or coloured green and yellow. The wire coloured blue must be connected to the terminal 'N' or coloured black. The wire coloured brown must be connected to the terminal marked 'L' or coloured red. If the fuse incorporated in the plug needs to be changed then it should be replaced with a fuse approved by ASTA to BS1362, rated at 10 amp.



1. Service module
2. 4 x Torx fixing screws

## TECHNICAL DATA

### MANUFACTURING

#### APPROVALS

Class IP 24

(See data plate for details)

Independently tested and CE marked

Capacity:	4kg general laundry (approx. wet weight)
Evaporation rate:	17 g/min.
Electrical supply:	220-240V a.c. 50-60Hz
Motor:	35W.
Heating element:	1500W
Overheat cut-out:	Yes
Timer:	ECO DRYER Electronic
Fan capacity:	180 m <sup>3</sup> /h
Sound level	60 dB(A) maximum
Dimensions:	Height 1700mm. (+ 15mm. level adjustment) Depth 620mm. (630mm. overall pull handle) Width 595mm.
Weight:	57kg.
Colour:	Cabinet White Handle Grey

### PERFORMANCE SPECIFICATION AND ENERGY CONSUMPTION\*

SETTING	POWER CONSUMPTION	DRYING TIME	TEMPERATURE
AUT 40°C	0.4 kW /kg laundry	Approx. 150 min.	35 - 45 deg.C
AUT 60°C	0.6 kW /kg laundry	Approx. 120 min.	55 - 65 deg.C
MAN 30°C	0.3 kW /kg laundry	As selected	25 - 35 deg.C
MAN 40°C	0.4 kW /kg laundry	As selected	35 - 45 deg.C
MAN 60°C	0.6 kW /kg laundry	As selected	55 - 65 deg.C
MAN --°C	0.08 kW /kg laundry	As selected	Ambient temp.

# **PEKO**

EQUIPMENT LIMITED

**Peko House  
Northbridge Road  
Berkhamsted  
Herts.  
HP4 1GE**

**Tel: 01442 872323**

**Fax: 01442 866900**

**[www.peko.co.uk](http://www.peko.co.uk)**