



Dual Heater Fan

MODEL BFH6616



Read instructions before operating.
Retain for future reference.

Instruction Leaflet



After having read this leaflet, you have any questions or comments on your heater, call **1-800-253-2764** in North America. 129240/9100020008901

HEATER SAFETY

PLEASE READ AND SAVE THESE IMPORTANT SAFETY INSTRUCTIONS

When using electrical appliances, basic safety precautions should always be followed to reduce the risk of fire, electric shock, and injury to persons, including the following:

1. Read all instructions before using the appliance.
2. To avoid fire or shock hazard, plug the appliance directly into a 120V AC electrical outlet.
3. The heater is hot when in use. To avoid burns, DO NOT let bare skin touch hot surfaces. If provided, use handles when moving this heater. Keep combustible materials, such as furniture, pillows, bedding, papers, clothes, and curtains at least 3 ft (0.9 m) from the front of the heater and keep them away from the sides and rear.
4. DO NOT run cord under carpeting. DO NOT cover cord with throw rugs, runners, or the like. Arrange cord away from traffic area and where it will not be tripped over.
5. This heater is not intended for use in bathrooms, laundry areas and similar indoor location. NEVER locate heater where it may fall into a bathtub or other water container.
6. Extreme caution is necessary when any heater is used by, or near children or invalids, and whenever the heater is left operating and unattended.
7. Always unplug the heater when not in use.
8. When unplugging, be sure to pull by the plug and not the cord.
9. DO NOT insert or allow foreign objects to enter any ventilation or exhaust opening as this may cause an electric shock or fire, or damage the heater.
10. DO NOT operate heater with a damaged cord or plug, or after the heater malfunctions, has been dropped or damaged in any manner. Return appliance to manufacturer for examination, electrical or mechanical adjustment, or repair.
11. A heater has hot and arcing or sparking parts inside. DO NOT use it in areas where gasoline, paint, or flammable liquids are used or stored.
12. Use appliance only for intended household use as described in this manual. Any other use not recommended by the manufacturer may cause fire, electric shock, or injury to persons. The use of attachments not recommended or sold by the manufacturer may cause hazards.
13. DO NOT use outdoors.

1 YEAR LIMITED WARRANTY

Sunbeam Products, Inc. doing business as Jarden Consumer Solutions or if in Canada, Sunbeam Corporation (Canada) Limited doing business as Jarden Consumer Solutions (collectively "JCS") warrants that for a period of one year from the date of purchase, this product will be free from defects in material and workmanship. JCS, at its option, will repair or replace this product or any component of the product found to be defective during the warranty period. Replacement will be made with a new or remanufactured product or component. If the product is no longer available, replacement may be made with a similar product of equal or greater value. This is your exclusive warranty. Do NOT attempt to repair or adjust any electrical or mechanical functions on this product. Doing so will void this warranty.

This warranty is valid for the original retail purchaser from the date of initial retail purchase and is not transferable. Keep the original sales receipt. Proof of purchase is required to obtain warranty performance. JCS dealers, service centers, or retail stores selling JCS products do not have the right to alter, modify or any way change the terms and conditions of this warranty.

This warranty does not cover normal wear of parts or damage resulting from any of the following: negligent use or misuse of the product, use on improper voltage or current, use contrary to the operating instructions, disassembly, repair or alteration by anyone other than JCS or an authorized JCS service center. Further, the warranty does not cover: Acts of God, such as fire, flood, hurricanes and tornadoes.

What are the limits on JCS's Liability?

JCS shall not be liable for any incidental or consequential damages caused by the breach of any express, implied or statutory warranty or condition.

Except to the extent prohibited by applicable law, any implied warranty or condition of merchantability or fitness for a particular purpose is limited in duration to the duration of the above warranty.

JCS disclaims all other warranties, conditions or representations, express, implied, statutory or otherwise.

JCS shall not be liable for any damages of any kind resulting from the purchase, use or misuse of, or inability to use the product including incidental, special, consequential or similar damages or loss of profits, or for any breach of contract, fundamental or otherwise, or for any claim brought against purchaser by any other party.

Some provinces, states or jurisdictions do not allow the exclusion or limitation of incidental or consequential damages or limitations on how long an implied warranty lasts, so the above limitations or exclusion may not apply to you.

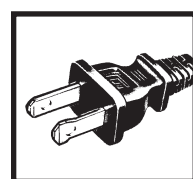
This warranty gives you specific legal rights, and you may also have other rights that vary from province to province, state to state or jurisdiction to jurisdiction.

14. To prevent a possible fire, DO NOT block air intakes or exhaust in any manner. DO NOT use on soft surfaces, like a bed, where openings may become blocked.
15. To disconnect heater, turn controls to OFF, then remove plug from outlet.
16. Avoid the use of an extension cord because the extension cord may overheat and cause a risk of fire. However, if you have to use an extension cord, the cord shall be No. 14 AWG minimum size and rated not less than 1875 watts.
17. If the heater will not operate, see specific instructions on Auto Safety Shut-off.
18. DO NOT attempt to repair or adjust any electrical or mechanical functions on this unit. Doing so will void your warranty. The inside of the unit contains no user serviceable parts. All servicing should be performed by qualified personnel only.
19. Discontinue use if plug or outlet is hot. It is recommended that the outlet be replaced if plug or outlet is hot to touch.

PLEASE SAVE THESE INSTRUCTIONS

CONSUMER SAFETY INFORMATION

THIS APPLIANCE HAS A POLARIZED AC PLUG (one blade is wider than the other). To reduce the risk of electric shock, this plug is intended to fit in a polarized outlet only one way. If the plug does not fit fully in the outlet, reverse the plug. If it still does not fit, contact a qualified electrician to install the proper outlet.



DO NOT ATTEMPT TO MODIFY THIS PLUG OR DEFEAT THIS SAFETY FEATURE IN ANY WAY.

PLEASE READ AND SAVE THESE IMPORTANT SAFETY INSTRUCTIONS

TECHNICAL SPECIFICATIONS

- Amps: 12.5
- Wattage: 1500W (+5% -10%)
- Working voltage: 120V AC/60Hz

OPERATING INSTRUCTIONS

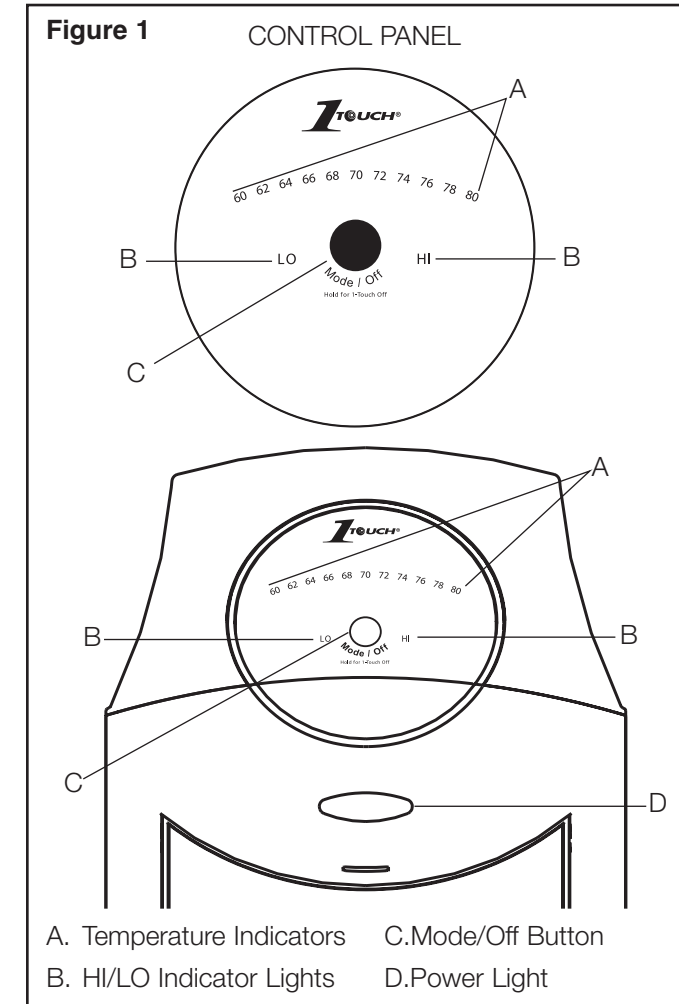
1. Carefully remove your heater from the box. Please save the carton for off-season storage.

2. Place heater on firm level surface.
3. Your heater comes assembled and ready to use.
4. Avoid overloading your circuit by not using other high wattage appliances in the same outlet. At 1500 Watts, this unit draws 12.5 Amps.

NOTE: The power light will illuminate when the heater is plugged in.

1Touch® Thermostat Instructions

Your heater is equipped with a technologically advanced 1Touch® electronic thermostat. You can set the heater to run continuously in manual mode or set the 1Touch® thermostat to your desired temperature setting. The 1Touch® thermostat will automatically turn the heater ON or OFF depending on the preset comfort level. The comfort level ranges between 60° and 80° Fahrenheit.



Pressing the **Mode/Off** Button to select your desired comfort level:

1. **HI** - Manual HIGH

Press the **Mode/Off** Button once to set the heater at HI manual setting. The **HI** Indicator Light will illuminate. The heater will run continuously at HIGH setting.

2. **LO** - Manual LOW

Press the **Mode/Off** Button again to set the heater at LO manual setting. The **LO** Indicator Light will illuminate. The heater will run continuously at reduced wattage.

NOTE: To shut unit off at any time, press and hold the **Mode/Off** Button for 2 seconds or keep pressing the **Mode/Off** Button until all temperature indicators go OFF.

3. Preset Temperature Levels (**60 °F - 80 °F**)

Continue to press the **Mode/Off** Button to cycle through the Temperature Indicators (**60 °F - 80 °F**) until your desired temperature is set in either **HI** or **LO** setting. The selected Temperature Indicator Light will illuminate. When the ambient temperature rises above the set temperature, the heater will stop. When the ambient temperature drops below the set temperature, the heater will turn on automatically.

NOTE: When the 1Touch® thermostat is set, either the HI or LO Indicator light, and the preset Temperature Indicator Light will remain lit during operation. (See Figure 1)

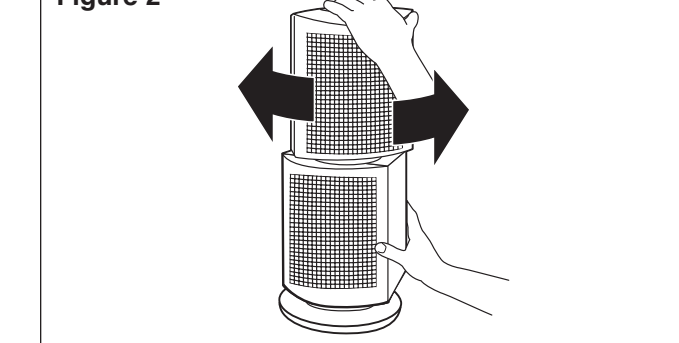
NOTE: It is normal for the heater to cycle ON and OFF as it maintains the preset temperature. To prevent the unit from cycling, you need to raise the thermostat setting. When the preset temperature is made, the fan will run for 30 seconds without heat. This cool down process ensures an accurate and consistent temperature reading.

NOTE: 1Touch® has memory. The 1Touch® thermostat will remember the previous temperature setting after the unit has been turned off. However, if the unit is unplugged, or the unit is turned off, the 1Touch® thermostat will be reset and will no longer remember the previous setting.

PIVOTING GRILL

For improved heat circulation, your heater comes with a manual pivoting grill. The top half of your grill pivots to the left and right for better heat distribution. The bottom half of the heater is stationary and will not turn. (See Figure 2)

Figure 2



CLEANING/MAINTENANCE

Always unplug the heater before cleaning and allow the heater to cool down.

1. Clean the unit with a soft cloth moistened with a mild soap solution.
2. NEVER use abrasive or flammable solvents to clean the unit.
3. After cleaning, be sure to completely dry the unit with a cloth or towel.
4. Store heater in a cool, dry location.
5. It is recommended that you store the unit in its original carton.

TIP: Over time, dust may accumulate on the front grills. This can be removed by wiping the unit with a damp cloth.

AUTO SAFETY SHUT-OFF WITH INSTANT TIP OVER PROTECTION

This heater is equipped with a patented, technologically-advanced safety system that requires the user to reset the heater if there is a potential overheat situation. When a potential overheat temperature is reached, the system will automatically shut the heater off. It can only resume operation when the user resets the unit. For specific reset instructions please refer to the unit.

To Reset the Heater:

1. Unplug the heater and allow 30 minutes for the heater to cool down.
2. After 30 minutes plug the heater in and operate normally.
3. If the heater does not work normally, repeat steps 1 and 2 again.

Tip Over Shut-Off:

When the unit is accidentally knocked over, it will instantly shut off. To reset, simply place the heater in an upright position and it will operate normally.

TROUBLESHOOTING

If your heater fails to operate:

- UNPLUG THE UNIT and make sure the heater is placed in an upright position (see Tip Over Shut-Off section).
- Make sure the electrical outlet or circuit breaker is working.
- Check for obstructions. If you find an obstruction turn the heater OFF, and unplug the unit. Carefully remove the obstruction and follow the reset instructions.
- The temperature may be set too low. Adjust the thermostat until the heater restarts.

Please DO NOT attempt to open or repair the heater.

If you have any questions regarding your product or would like to learn more about other Bionaire® products, please contact our Consumer Service Department at 1-800-253-2764 or visit our website at www.bionaire.com.

How to Obtain Warranty Service

In the U.S.A.

If you have any question regarding this warranty or would like to obtain warranty service, please call 1-800-253-2764 and a convenient service center address will be provided to you.

In Canada

If you have any question regarding this warranty or would like to obtain warranty service, please call 1-800-253-2764 and a convenient service center address will be provided to you.

In the U.S.A., this warranty is offered by Sunbeam Products, Inc. doing business Jarden Consumer Solutions located in Boca Raton, Florida 33431. In Canada, this warranty is offered by Sunbeam Corporation (Canada) Limited doing business as Jarden Consumer Solutions, located at 20 B Hereford Street, Brampton, Ontario L6Y 0M1. If you have any other problem or claim in connection with this product, please write our Consumer Service Department.

PLEASE DO NOT RETURN THIS PRODUCT TO ANY OF THESE ADDRESSES OR TO THE PLACE OF PURCHASE.

© 2008 Sunbeam Products, Inc. doing business as Jarden Consumer Solutions. All Rights Reserved. Distributed by Sunbeam Products, Inc. doing business as Jarden Consumer Solutions, Boca Raton, Florida 33431.



Calefactor Dual
con Ventilador

MODELO BFH6616



Lea las instrucciones antes de usarlo.
Consérvelas para futuras consultas.

Folleto de Instrucciones

LÍNEA DE INFORMACIÓN

Si tiene alguna pregunta o comentario acerca de su calefactor luego de leer este folleto, llame al 1-800-253-2764 en Norteamérica. 129240/9100020008901

SEGURIDAD PARA LA ESTUFA

LEA Y CONSERVE ESTAS IMPORTANTES INSTRUCCIONES DE SEGURIDAD

Para reducir el riesgo de incendios, descargas eléctricas y lesiones personales al utilizar electrodomésticos, siga siempre las precauciones básicas de seguridad, incluyendo las que se mencionan a continuación:

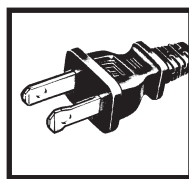
1. Lea completamente las instrucciones antes de utilizar el aparato.
2. Para evitar incendios o descargas eléctricas, enchufe el aparato directamente a un tomacorriente de 120V CA.
3. El calentador se calienta al usarlo. Para evitar quemaduras, NO toque las superficies calientes con la piel. Si existen, utilice las manijas para mover la unidad. Mantenga los materiales combustibles, como muebles, almohadones, sábanas, papeles, ropa y cortinas a por lo menos 3 pies (0,9m) de la parte delantera del calefactor y manténgalos alejados de los costados y de la parte de atrás.
4. NO instale el cable debajo de alfombras. NO cubra el cable con alfombrillas, tapetes o similares. Coloque el cable fuera de las zonas de tráfico y donde nadie se pudiera tropezarse con él.
5. Este calefactor no está diseñado para ser utilizado en baños, lavaderos y zonas similares de interiores. NUNCA coloque el calefactor donde pueda caerse dentro de una bañera u otro recipiente con agua.
6. Debe tener mucho cuidado cuando el calefactor es utilizado por o cerca de niños o inválidos, y siempre que se deje el calefactor prendido y desatendido.
7. Siempre desenchufe el calefactor cuando no lo utilice.
8. Al desenchufarlo, asegúrese de tirar del enchufe y no del cable.
9. NO inserte o permita que ningún objeto extraño entre por las rejillas de ventilación o de salida ya que pueden ocasionar una descarga eléctrica o incendio, o dañar el calefactor.
10. NO utilice el calefactor si el cable o el enchufe están dañados o luego de una falla, se haya caído o haya sufrido cualquier tipo de daño. Devuelva el aparato al fabricante para su inspección, ajuste eléctrico o mecánico, o reparación.
11. Un calefactor tiene partes calientes y que pueden producir chispas en su interior. NO lo utilice en áreas donde se utiliza o se guarda gasolina, pintura o líquidos inflamables.

12. Utilice el aparato únicamente para el para el hogar indicado en este manual. Cualquier uso distinto al recomendado por el fabricante puede causar incendios, descargas eléctricas, o daños personales. El uso de accesorios o dispositivos no recomendados o vendidos por el fabricante puede generar riesgos.
13. NO utilizar en el exterior.
14. Para prevenir la posibilidad de incendio, NUNCA tape la entrada o salida de aire. NO lo utilice sobre superficies blandas, como una cama, donde se pueden obstruir las aberturas.
15. Para desconectarlo, gire el control a la posición OFF, luego quite el enchufe del tomacorriente.
16. Evite el uso de un cable de extensión ya que puede sobrecalentar y producir un incendio. Sin embargo, si debe utilizar un cable de extensión, el cable debe ser como mínimo AWG No. 14 y especificado para 1875 vatios como mínimo.
17. Si el calefactor no funciona, vea las instrucciones específicas del apagado automático de seguridad.
18. NO intente reparar o ajustar ninguna función eléctrica o mecánica de esta unidad. El hacerlo invalidará la garantía. La unidad no contiene partes reparables por el usuario. Toda reparación debe ser realizada únicamente por personal calificado.
19. Deje de usarlo si el cable o el enchufe se calienta. Se recomienda que reemplace el tomacorriente si el enchufe o el tomacorriente se calienta.

CONSERVE ESTAS INSTRUCCIONES

INFORMACIÓN DE SEGURIDAD PARA EL CONSUMIDOR

ESTE ARTEFACTO TIENE UN ENCHUFE POLARIZADO (una de las patas es más ancha que la otra). Para reducir el riesgo de una descarga eléctrica, este enchufe entra de una sola forma en un tomacorriente polarizado. De no ser así, inviértalo, y si aún así no entra completamente, llame a un electricista calificado para que instale un tomacorriente apropiado.



NO INTENTE MODIFICAR ESTE ENCHUFE O ALTERAR ESTE DISPOSITIVO DE SEGURIDAD DE NINGUNA FORMA.

LEA Y CONSERVE ESTAS IMPORTANTES INSTRUCCIONES DE SEGURIDAD

ESPECIFICACIONES TÉCNICAS

- Amperios: 12,5
- Potencia: 1500 W (+5% -10%)
- Voltaje de funcionamiento: 120V CA/60Hz

INSTRUCCIONES DE USO

1. Saque cuidadosamente el calefactor de la caja. Conserve la caja para guardar la estufa fuera de temporada).
2. Coloque la estufa sobre una superficie firme y nivelada.
3. El calefactor viene armado y listo para usar.
4. Evite sobrecargar el circuito eléctrico evitando utilizar otro aparato de alta potencia en el mismo tomacorriente. A 1500 Vatios, esta unidad consume 12,5 Amperes.

NOTA: El indicador de alimentación se encenderá cuando el calefactor esté enchufado.

Instrucciones del termostato 1Touch®

El calefactor está equipado con un termostato electrónico 1Touch® de tecnología avanzada. Puede configurar el calefactor para que funcione continuamente en modo manual o configurar el termostato 1Touch® en la temperatura deseada. El termostato 1Touch® ENCENDERÁ o APAGARÁ el calefactor automáticamente según el nivel de comodidad preestablecido. El nivel de comodidad varía entre los [60 °F y 80 °F].

Para seleccionar el nivel de comodidad deseado, pulse el botón de **modo/apagado**:

1. **HI** - ALTO manual

Para configurar el calefactor en el nivel HI manual, pulse el botón de **modo/apagado** una vez. El indicador luminoso **HI** se encenderá. El calefactor funcionará continuamente en la configuración ALTO.

2. **LO** - BAJO manual

Para configurar el calefactor en el nivel LO manual, pulse el botón de **modo/apagado** nuevamente. El indicador luminoso **LO** se encenderá. El calefactor funcionará continuamente en un voltaje reducido.

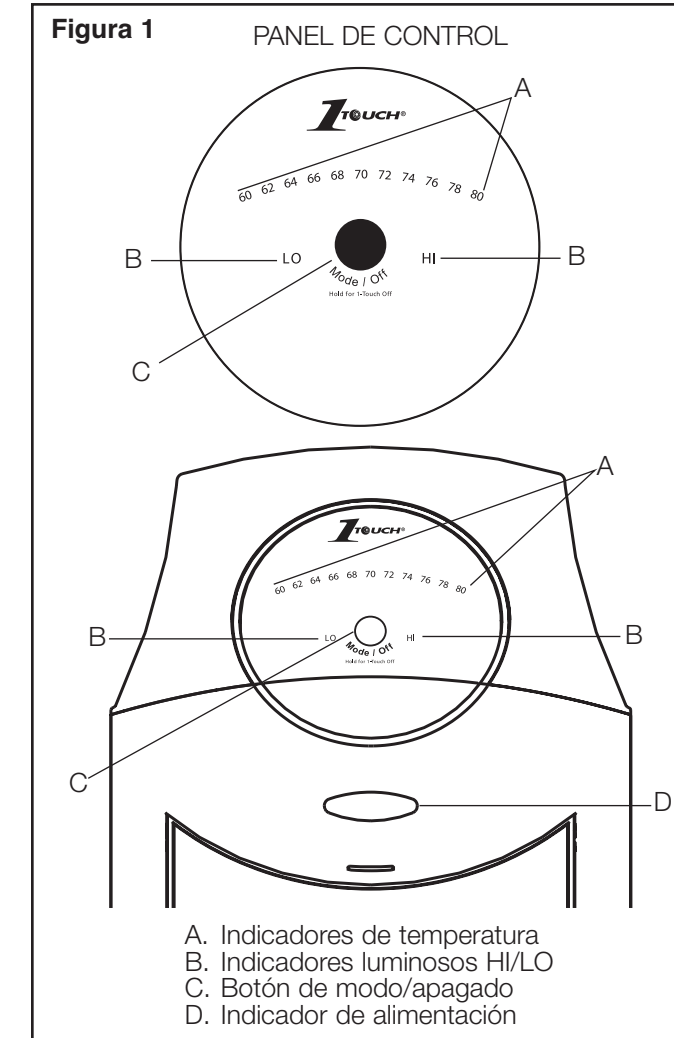
NOTA: Para apagar la unidad en cualquier momento, pulse el botón de modo/apagado durante 2 segundos o

manténgalo presionado hasta que todos los indicadores de temperatura se APAGUEN.

3. Predetermine los niveles de temperatura [60 °F a 80 °F]

Continúe presionando el botón de **modo/apagado** para alternar entre los indicadores de temperatura [60 °F a 80 °F] hasta establecer la temperatura deseada en **HI** o **LO**. El indicador luminoso de la temperatura establecida se encenderá. Cuando la temperatura ambiente supere la temperatura establecida, el calefactor se apagará. Cuando la temperatura ambiente disminuya por debajo de la temperatura establecida, el calefactor se encenderá automáticamente.

NOTA: Cuando se configura el termostato 1Touch®, el indicador luminoso **HI** o **LO** y el indicador luminoso de la temperatura establecida permanecerán encendidos durante el funcionamiento. (Consulte la Figura 1)

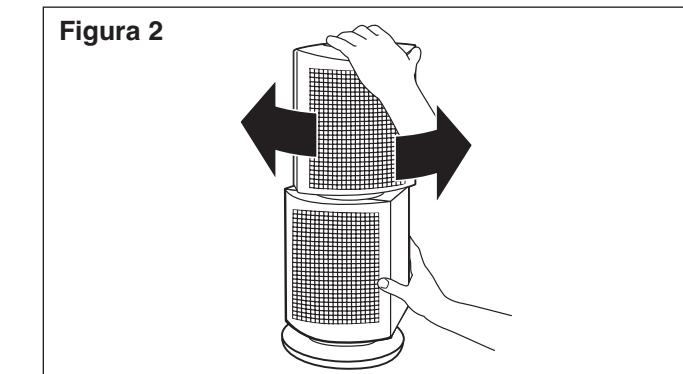


NOTA: es normal que el calefactor se encienda y se apague periódicamente para mantener la temperatura establecida previamente. Para evitar que la unidad se encienda y se apague periódicamente, debe subir el nivel del termostato. Cuando se alcance la temperatura establecida previamente, el ventilador funcionará durante 30 segundos sin emitir calor. Con este proceso de enfriamiento se garantiza una lectura precisa y consistente de la temperatura.

NOTA: 1Touch® tiene memoria. El termostato 1Touch® recordará el nivel de temperatura anterior después de que la unidad se haya apagado. Sin embargo, si la unidad se desenchufa, el termostato 1Touch® se restablecerá y ya no recordará la configuración anterior.

REJILLA GIRATORIA

Para mejorar la circulación del calor, el calefactor incluye una rejilla giratoria manual. La mitad superior de la rejilla gira hacia izquierda y derecha para mejorar la distribución del calor. La mitad inferior del calefactor es fija y no gira. (Consulte la Figura 2)



LIMPIEZA / MANTENIMIENTO

Siempre desenchufe el calefactor y deje que se enfríe antes de limpiarlo.

1. Limpie la unidad con un paño suave, humedecido en una solución de jabón suave.
2. NUNCA utilice solventes abrasivos o inflamables para limpiar la unidad.
3. Luego de limpiarla, asegúrese de secar completamente la unidad con un trapo o toalla.
4. Guarde el calefactor en un lugar fresco y seco.
5. Se recomienda guardar la unidad en su embalaje original.

*CONSEJO: Con el transcurso del tiempo se acumulará polvo en las rejillas delanteras que puede eliminarse con un paño húmedo.

APAGADO AUTOMÁTICO DE SEGURIDAD INCLUYE PROTECCIÓN INSTANTÁNEA EN CASO VUELCOS

Esta estufa está equipada con un sistema de seguridad tecnológicamente avanzado y patentado que requiere que el usuario la reactive si se produce un recalentamiento. Si la unidad se recalienta, el sistema la apagará automáticamente y sólo podrá volver a funcionar si el usuario la reactiva manualmente. Para obtener instrucciones específicas de restablecimiento, remítase a la unidad.

Para volver a prender el calefactor:

- Si la unidad se apaga:
1. Desenchufe el calentador y deje que se enfríe durante 30 minutos.
 2. Al cabo de 30 minutos enchufe el calentador para que funcione de forma normal.
 3. Si el calentador no funciona normalmente, repita los pasos 1 y 2 de nuevo.

Apagado de inclinación:

Cuando la unidad se cae accidentalmente, se apaga instantáneamente. Para restablecer la unidad, simplemente coloque el calefactor en posición vertical y éste funcionará normalmente.

SI SU CALEFACTOR NO FUNCIONA

- DESENCHUFE LA UNIDAD y asegúrese de que el calefactor esté en posición vertical (véase la sección Apagado en caso de vuelcos).
- Asegúrese de que el tomacorriente o llave térmica funcionen correctamente.
- Verifique que no haya ninguna obstrucción. Si encuentra una obstrucción, apague el calefactor, y desenchúfelo. Quite cuidadosamente la obstrucción y siga el procedimiento para reiniciar la unidad.
- El termostato puede estar ajustado demasiado bajo, aumente la temperatura hasta que la unidad arranque.

NO INTENTE ABRIR ni reparar la estufa.

Si tiene preguntas relacionadas con este producto o si está interesado en conocer otros productos Bonaire®, póngase en contacto con nuestro Departamento de Servicio al Cliente: llame al 1-800-253-2764 o visite nuestro sitio web www.bonaire.com.

GARANTÍA LIMITADA DE 1 AÑO

Sunbeam Products, Inc. operando bajo el nombre de Jarden Consumer Solutions, o en Canadá, Sunbeam Corporation (Canada) Limited operando bajo el nombre de Jarden Consumer Solutions, (en forma conjunta, "JCS"), garantiza que por un periodo de uno año a partir de la fecha de compra, este producto estará libre de defectos de materiales y mano de obra. JCS, a su elección, reparará o reemplazará este producto o cualquier componente del mismo que presente defectos durante el período de garantía. El reemplazo se realizará por un producto o componente nuevo o reparado. Si el producto ya no estuviera disponible, se lo reemplazará por un producto similar de valor igual o superior. Ésta es su garantía exclusiva. No intente reparar o ajustar ninguna función eléctrica o mecánica de este producto. Al hacerlo eliminará esta garantía.

La garantía es válida para el comprador minorista original a partir de la fecha de compra inicial y la misma no es transferible. Conserve el recibo de compra original. Para solicitar servicio en garantía se requiere presentar un recibo de compra. Los agentes y centros de servicio de JCS o las tiendas minoristas que venden productos de JCS no tienen derecho a alterar, modificar ni cambiar de ningún otro modo los términos y las condiciones de esta garantía.

Esta garantía no cubre el desgaste normal de las piezas ni los daños que se produzcan como resultado de uso negligente o mal uso del producto, uso de voltaje incorrecto o corriente inapropiada, uso contrario a las instrucciones operativas, y desarme, reparación o alteración por parte de un tercero ajeno a JCS o a un Centro de Servicio autorizado por JCS. Asimismo, la garantía no cubre actos fortuitos tales como incendios, inundaciones, huracanes y tornados.

¿Cuál es el límite de responsabilidad de JCS?

JCS no será responsable de daños incidentales o emergentes causados por el incumplimiento de alguna garantía o condición expresa, implícita o legal.

Excepto en la medida en que lo prohíba la ley aplicable, cualquier garantía o condición implícita de comerciabilidad o aptitud para un fin determinado se limita, en cuanto a su duración, al plazo de la garantía antes mencionada.

JCS queda exenta de toda otra garantías, condiciones o manifestaciones, expresa, implícita, legal o de cualquier otra naturaleza.

JCS no será responsable de ningún tipo de daño que resulte de la compra, uso o mal uso del producto, o por la imposibilidad de usar el producto, incluidos los daños incidentales, especiales, emergentes o similares, o la pérdida de ganancias, ni de ningún incumplimiento contractual, sea de una obligación esencial o de otra naturaleza, ni de ningún reclamo iniciado contra el comprador por un tercero.

Algunas provincias, estados o jurisdicciones no permiten la exclusión o limitación de los daños incidentales o emer-

gentes ni las limitaciones a la duración de las garantías implícitas, de modo que es posible que la exclusión o las limitaciones antes mencionadas no se apliquen en su caso.

Esta garantía le otorga derechos legales específicos y es posible que usted tenga otros derechos que varían de un estado, provincia o jurisdicción a otro.

Cómo solicitar el servicio en garantía

En los Estados Unidos

Si tiene alguna pregunta sobre esta garantía o desea recibir servicio de garantía, llame al 1.800.253.2764 y podrá obtener la dirección del centro de servicio que le resulte más conveniente.

En Canadá

Si tiene alguna pregunta sobre esta garantía o desea recibir servicio de garantía, llame al 1.800.253.2764 y podrá obtener la dirección del centro de servicio que le resulte más conveniente.

En los Estados Unidos, esta garantía es ofrecida por Sunbeam Products, Inc. operando bajo el nombre de Jarden Consumer Solutions, Boca Raton, Florida 33431. En Canadá, esta garantía es ofrecida por Sunbeam Corporation (Canada) Limited operando bajo el nombre de Jarden Consumer Solutions, 20 B Hereford Street, Brampton, Ontario L6Y 0M1. Si usted tiene otro problema o reclamo en conexión con este producto, por favor escriba al Departamento de Servicio al Consumidor.

POR FAVOR NO DEVUELVA ESTE PRODUCTO A NINGUNA DE ESTAS DIRECCIONES NI AL LUGAR DE COMPRA.

© 2008 Sunbeam Products, Inc. operando bajo el nombre de Jarden Consumer Solutions. Todos los derechos reservados. Distribuido por Sunbeam Products, Inc. operando bajo el nombre de Jarden Consumer Solutions, Boca Raton, Florida 33431.