

IMPORTANT SAFETY INSTRUCTIONS

YOUR SAFETY AND THAT OF OTHERS IS PARAMOUNT

This manual and the appliance itself provide important safety warnings, to be read and observed at all times.


 This is the attention symbol, pertaining to safety, which alerts users to potential risks to themselves and others.

All safety warnings are preceded by the attention symbol and the following terms:

 **DANGER:** indicates a hazardous situation which, if not avoided, will cause serious injury.

 **WARNING:** Indicates a hazardous situation which, if not avoided, could cause serious injury.

All safety warnings give specific details of the potential danger/warning present and indicate how to reduce risk of injury, damage and electric shock resulting from improper use of the appliance. Carefully observe the following instructions:

- Installation and maintenance must be carried out by a qualified technician, in compliance with the manufacturer's instructions and local safety regulations. Do not repair or replace any part of the appliance unless specifically stated in the user manual.
- The appliance must be disconnected from the power supply before carrying out any installation work.
- Earthing of the appliance is compulsory. (Not possible for class II hoods identified by the symbol  on the dataplate).
- The power cable must be long enough for connecting the appliance, once fitted in its housing, to the power supply socket.
- Do not pull the power supply cable in order to unplug the appliance.
- The electrical components must not be accessible to the user after installation.
- Do not touch the appliance with any wet part of the body and do not operate it when barefoot.
- The appliance is not intended for use by persons (including children) with any physical, sensory or mental impairment, or without experience and knowledge of the appliance, unless supervised or previously instructed in its use by those responsible for their safety.
- Do not repair or replace any part of the appliance unless specifically indicated in the manual. All other maintenance services must be carried out by a specialised technician.
- Children must be supervised to ensure they do not play with the appliance.
- When drilling through the wall pay attention not to damage electric connections and/or pipes:
- Air vents must always discharge to the outside.
- The manufacturer rejects all responsibilities for any damage caused by improper use or wrong settings.
- Appropriate maintenance and cleaning ensure the good working order and the best performance of the appliance. Regularly clean all stubborn surface dirt to avoid grease build up. Remove and clean or change the filter regularly.
- Never flame cook food (flambé) under the appliance. Using free flames might cause fire.
- Failure to observe the instructions for cleaning the hood and replacing the filters may result in a fire.
- Exhaust air must not be vented through a flue used for removal of fumes produced by gas combustion appliances or other combustible materials, but must have a separate outlet. All national regulations governing extraction of fumes must be observed.
- If the hood is being used at the same time as other appliances using gas or other combustible materials, the negative pressure of the room must not exceed 4 Pa (4x 10-5 bars). For this reason ensure that the room is well ventilated.
- Do not leave frying pans unattended when frying, as the frying oil may catch fire.
- Before touching the light bulbs, ensure that they are cold.
- Do not use or leave the hood without the light bulb correctly fitted, as this may cause electric shock.
- The hood is not a worktop, therefore do not place any objects on top of it or overload it.
- During all installation and maintenance operations wear appropriate working gloves.
- This appliance is not suitable for outdoor use.
- When the hob is in use, accessible parts of the hood may become hot.

Scrapping of household appliances

- This appliance is manufactured with recyclable or reusable materials. Dispose of it in accordance with local waste disposal regulations. Before scrapping, cut off the power supply cable.
- For further information on the treatment, recovery and recycling of household electrical appliances, contact your competent local authority, the collection service for household waste or the store where you purchased the appliance.

KEEP THIS BOOKLET FOR FUTURE CONSULTATION.

INSTALLATION

After unpacking the appliance, check for any transport damage. In the event of problems, contact the dealer or your nearest After-sales Service. To prevent any damage, only remove the appliance from its polystyrene foam packaging at the time of installation.

PREPARING FOR INSTALLATION

WARNING:

this is a heavy product; the hood should only be lifted and installed by two or more people.

The minimum distance between the cooking pans on top of the cooker and the bottom of the hood must not be less than 43 cm for electric cookers and 65 cm for gas or mixed cookers.

Before installation also check the minimum distances stated in the manual of the cooker.

If the installation instructions for the cooker specify a greater distance between cooker and hood, this distance must be observed.

ELECTRICAL CONNECTION

Make sure the power voltage specified on the appliance rating plate is the same as the mains voltage.

This information may be found on the inside of the hood, under the grease filter.

Power cable replacement (type H05 VV-F) must be carried out by a qualified electrician. Contact an authorized service centre.

If the hood is fitted with an electric plug, connect the plug to a socket complying with current regulations, located in an accessible place. If no plug is fitted (direct wiring to the mains), or if the socket is not located in an accessible place, install a standardised double pole power switch that will enable complete isolation from the mains in case of category III overvoltage conditions, in accordance with installation rules.

GENERAL RECOMMENDATIONS

Before use

Remove cardboard protection pieces, protective film and adhesive labels from accessories.

Check the appliance for any transport damage.


During use

To avoid any damage do not place any weights on the appliance.


Do not expose the appliance to atmospheric agents.

SAFEGUARDING THE ENVIRONMENT

Disposal of packing

The packing material is 100% recyclable and is marked with the recycle symbol (). The various parts of the packing must therefore be disposed of responsibly and in full compliance with local authority regulations governing waste disposal.

Scrapping the product

- This appliance is marked in compliance with European Directive 2002/96/EC, Waste Electrical and Electronic Equipment (WEEE).
- By ensuring this product is disposed of correctly, you will help prevent potential negative consequences for the environment and human health, which could otherwise be caused by inappropriate waste handling of this product.
- The symbol  on the product or on the accompanying documentation indicates that it should not be treated as domestic waste but must be taken to an appropriate collection centre for the recycling of electrical and electronic equipment.

TROUBLESHOOTING GUIDE

The appliance does not work:

- Check for the presence of mains electrical power and if the appliance is connected to the electrical supply.
- Turn off the appliance and restart it to see if the fault persists.

The hood's suction level is not sufficient:

- Check the suction speed and adjust as necessary:
- Check that the filters are clean:
- Check the air vents for any obstructions.

The light does not work:

- Check the light bulb and replace if necessary;
- Check that the light bulb has been correctly fitted.

AFTER-SALES SERVICE

Before calling the After-Sales Service:

1. See if you can solve the problem yourself with the help of the suggestions given in the "Troubleshooting guide".
2. Switch the appliance off and back on again it to see if the fault persists.

If after the above checks the fault still occurs, get in touch with the nearest After-sales Service.

Always specify:

- a brief description of the fault;
- the exact type and model of the appliance;
- the service number (number after the word Service on the rating plate), located on the inside of the appliance. The service number is also indicated on the guarantee booklet;
- your full address;
- your telephone number.

SERVICE 0000 000 00000



If any repairs are required, please contact an authorised After-sales Service (to guarantee that original spare parts will be used and repairs carried out correctly).

CLEANING

⚠ ATTENTION

- Do not use steam cleaners.
- Disconnect the appliance from the power supply.

IMPORTANT: Do not use corrosive or abrasive detergents. If any of these products accidentally comes into contact with the appliance, clean it immediately with a damp cloth.

- Clean the surfaces with a damp cloth. If very dirty, add a few drops of washing up detergent to the water. Dry with a dry cloth.

IMPORTANT: Do not use abrasive sponges or metallic scrapers or scouring pads. Their use could eventually spoil the enamelled surfaces.

- Use specific detergents to clean the appliance and follow the Manufacturer's instructions.

IMPORTANT: To avoid damaging the product, do not spray detergents on the controls when cleaning the hood.

IMPORTANT: Clean the filters at least once a month to remove oil and grease residuals.

MAINTENANCE

! IMPORTANT:

- use protective gloves.
- disconnect the appliance from the power supply.

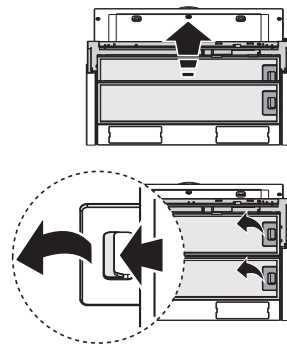
GREASE FILTERS

The metal grease filter has an unlimited life and should be cleaned once a month by hand or in a dishwasher at low temperature and with a short cycle. Cleaning in a dishwasher may cause discolouring of the grease filter, but its filtering efficiency is unaffected.

Pull out the steam deflector.

Pull out the handle to remove the filter.

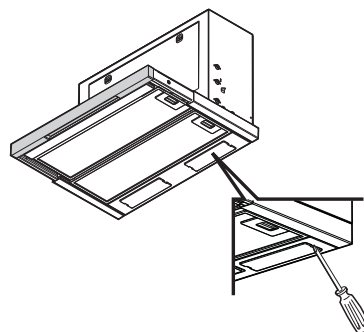
Wash the filter and leave it to dry, proceeding in reverse order to refit it.



REPLACING LAMPS

IMPORTANT: Only use MAX 40W - E14 lamps.

1. Disconnect the hood from the household power supply.
2. Prise with a small screwdriver or similar tool to remove the lamp cover and access the lamp compartment.
3. Remove the burnt-out lamp and fit a new one.
4. Refit the lamp cover, making sure it fits perfectly in place.



CARBON FILTER

(filter hoods only):

Retains the unpleasant odours produced during cooking.

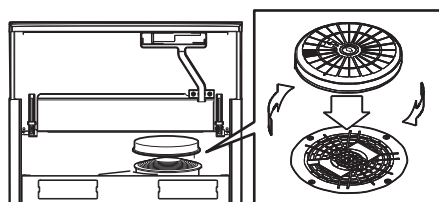
Fit a new carbon filter every 4 months

Fitting or replacing the carbon filter

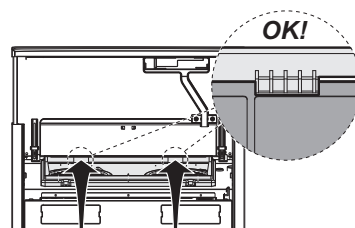
1. Pull out the steam deflector.
2. Remove all the grease filters (refer to the section "grease filters").
- 3a. Hood with one extraction motor:** Fit the carbon filter so that it covers the motor grille and turn clockwise to lock it in place.
- 3b. Hood with two extraction motors:** Insert the carbon filter in the top hooks then secure it to the bottom hooks.

Note: Proceed in reverse order to remove.

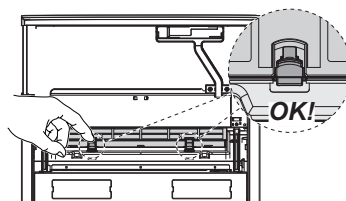
Proceed in reverse order to refit the grease filters in place.



3a



3b.1



3b.2

MATERIAL SUPPLIED

Remove all the components from the packets. Check that all the components are included.

- Hood assembled with motor, lamps and grease filters installed.
- Instructions for assembly and use
- 1 assembly template
- 2 Screws \varnothing 2.9 x 13
- 4 Screws \varnothing 4.5 x 16
- 3 Screws \varnothing 3.5 x 13
- 4 Spacers
- 1 Deflector
- 1 Collar

INSTALLATION - PRELIMINARY ASSEMBLY INSTRUCTIONS

The hood is designed for installation and use in "Extractor version" or in "Filter version".

Note: The model with electric shutter can only be used in "Extractor version" and the exhaust pipe must be connected to a peripheral extraction unit.

Extractor Version

Fumes are extracted and expelled to the outside through an exhaust pipe (not supplied) fixed to the hood exhaust pipe connector. Depending on the exhaust pipe purchased, provide for suitable fixing to the exhaust pipe connector.

IMPORTANT: If already installed, remove the carbon filter/s.

Filter Version

Air is filtered through the carbon filter/s and recycled into the surrounding environment.

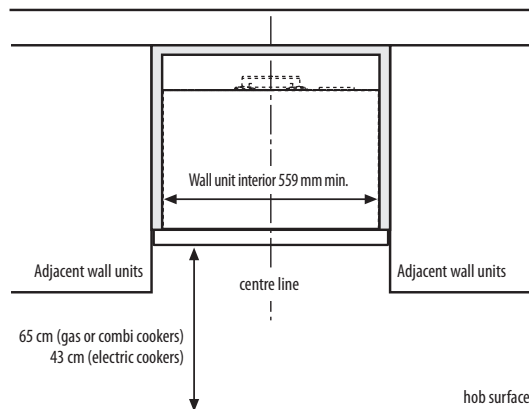
IMPORTANT: check that air recirculation is facilitated.

If the hood does not have a carbon filter/s, order one/them and fit it/them before use.

Install the hood away from very dirty locations, windows, doors and sources of heat.

The hood comes supplied with all the materials required for installation on most walls/ceilings. However, a qualified technician is needed to make sure that the plugs are suitable for your ceiling.

INSTALLATION DIMENSIONS



This type of hood must be installed inside a wall unit or similar support.

INSTALLATION - ASSEMBLY INSTRUCTIONS

The instructions below, to be carried out in the order in which they are numbered, refer to the drawings (giving the same numbering) on the last pages of this manual.

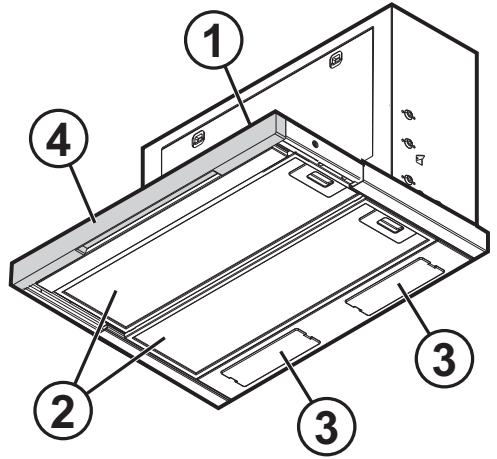
1. Place the drilling diagram on the inner side of the wall unit, respecting the positioning indications given on the diagram.
2. Drill the 3 holes as indicated on the diagram.
The largest hole will be used to support the hood during fixing to the wall unit.
3. Repeat the operation to drill the other side of the wall unit.
4. Make an opening (if lacking) in the top of the wall unit, respecting the dimensions given in the figure.
The opening is for the fume exhaust pipe and the electrical connection cable.
5. If the sides of the wall unit are 16mm thick, fit the 4 spacers (2 per side) at the holes for the installation screws.
6. **Only for Extractor version or Filter version with wall unit top** - fit the connection collar on the hood exhaust outlet (bayonet hooking), fixing as indicated.
7. **Only for Filter version without wall unit top** - fit the deflector on the hood exhaust outlet, fixing as indicated.
8. Pull out the steam deflector and remove the grease filters.
9. **Only for Extractor version or Filter version with wall unit top** - connect a fume exhaust pipe to the connection collar (with Filter Version a pipe section long enough to reach the wall unit top will suffice).
Note: The pipe is not included in the pack and must be purchased separately.
10. Fit the hood inside the wall unit, hooking the side tabs in the two holes (1 per side) in the sides of the wall unit.
11. From inside the hood, tighten the 4 screws (2 per side) close to the holes in the sides of the wall unit.
12. Carry out the electrical connection.
- 13a. **For Extractor Version only** - run the fume exhaust pipe towards the outside.
- 13b. **For Filter Version only** - cut the pipe at the wall unit top and fix the deflector as indicated, covering the hole.
14. Fit the front finish trim.
Note: The front finish trim must be purchased separately; assembly instructions are provided with it.
15. To align the pullout drawer, undo the 2 bottom screws, align the drawer with the wall unit, moving the 2 support brackets, then retighten the 2 screws.
For Filter Version only - fit the carbon filter (refer to instructions in the section "MAINTENANCE-Carbon Filter")
16. Refit the grease filters.

Check hood operation, referring to the section giving a description of the hood and its use.


DESCRIPTION AND USE OF HOOD

1. Control Panel
2. Grease filters
3. Lighting
4. Steam deflector

Note: The front trim is not supplied and must be purchased separately.



CONTROL PANEL

 Light switch.

The light key has two positions (lights OFF - lights ON).

To switch the lights on: move the key to the right.

 Speed selector switch.

The motor key has several settings for controlling extraction powers according to the amount of steam and fumes.

To increase the extraction power: move the key to the right.

Note: If the light switch and/or speed selector switch is/are in the "on" position, the lights and/or extraction powers can be switched on or off by opening or closing the steam deflector.