

NOTES

LIMITED WARRANTY

WHAT THIS WARRANTY COVERS: This product is warranted against defects in workmanship and/or materials.

HOW LONG THIS WARRANTY LASTS: This warranty extends only to the original purchaser of the product and lasts for one (1) year from the date of original purchase or until the original purchaser of the product sells or transfers the product, whichever first occurs.

WHAT AIR KING WILL DO: During the warranty period, Air King will, at its sole option, repair or replace any part or parts that prove to be defective or replace the whole product with the same or comparable model.

WHAT THIS WARRANTY DOES NOT COVER: This warranty does not apply if the product was damaged or failed because of accident, improper handling or operation, shipping damage, abuse, misuse, unauthorized repairs made or attempted. This warranty does not cover shipping costs for the return of products to Air King for repair or replacement. Air King will pay return shipping charges from Air King following warranty repairs or replacement **ANY AND ALL WARRANTIES, EXPRESSED OR IMPLIED (INCLUDING, WITHOUT LIMITATION, ANY IMPLIED WARRANTY OF MERCHANTABILITY), LAST ONE YEAR FROM THE DATE OF ORIGINAL PURCHASE OR UNTIL THE ORIGINAL PURCHASER OF THE PRODUCT SELLS OR TRANSFERS THE PRODUCT, WHICHEVER FIRST OCCURS AND IN NO EVENT SHALL AIR KING'S LIABILITY UNDER ANY EXPRESS OR IMPLIED WARRANTY INCLUDE (I) INCIDENTAL OR CONSEQUENTIAL DAMAGES FROM ANY CAUSE WHATSOEVER, OR (II) REPLACEMENT OR REPAIR OF ANY HOUSE FUSES, CIRCUIT BREAKERS OR RECEPTACLES. NOTWITHSTANDING ANYTHING TO THE CONTRARY, IN NO EVENT SHALL AIR KING'S LIABILITY UNDER ANY EXPRESS OR IMPLIED WARRANTY EXCEED THE PURCHASE PRICE OF THE PRODUCT AND ANY SUCH LIABILITY SHALL TERMINATE UPON THE EXPIRATION OF THE WARRANTY PERIOD.**

Some states and provinces do not allow limitations on how long an implied warranty lasts, or the exclusion or limitation of incidental or consequential damages, so these exclusions or limitations may not apply to you. This warranty gives you specific legal rights. You may also have other rights which vary from state to state and province to province. Proof of purchase is required before a warranty claim will be accepted.

CUSTOMER SERVICE:

Toll-Free (800) 233-0268. Email: producthelp@laskoproducts.com

Our Customer Service team is available to assist you with product questions, service center locations, and replacement parts. They can be reached Monday through Friday, 8am-5pm Eastern. Please have your model number available, as well as the type and style (located on the underside of your product). Please do not return product to place of purchase.

Customer Service Dept., 820 Lincoln Ave., West Chester, PA 19380 (Please do not send product to this location) www.laskoproducts.com

PARTS FOR DISCONTINUED, OBSOLETE AND CERTAIN OTHER PRODUCTS MAY NOT BE AVAILABLE. DUE TO SAFETY REASONS, MANY ELECTRONIC COMPONENTS AND MOST HEATER COMPONENTS ARE NOT AVAILABLE TO CONSUMERS FOR INSTALLATION OR REPLACEMENT.



18" and 20" NON-OSCILLATING CEILING MOUNT FAN MODEL 9320, 9718

READ AND SAVE THESE INSTRUCTIONS

READ CAREFULLY BEFORE ATTEMPTING TO ASSEMBLE, INSTALL, OPERATE OR MAINTAIN THE PRODUCT DESCRIBED. PROTECT YOURSELF AND OTHERS BY OBSERVING ALL SAFETY INFORMATION. FAILURE TO COMPLY WITH INSTRUCTIONS COULD RESULT IN PERSONAL INJURY AND/OR PROPERTY DAMAGE! RETAIN INSTRUCTIONS FOR FUTURE REFERENCE.

GENERAL SAFETY INFORMATION

1. Read all instructions before using Fan.
2. Make certain that the power source conforms to the electrical requirements of the Fan.
3. Use this Fan only as described in this manual. Any other use not recommended by the manufacturer may cause fire, electrical shock, or injury to persons.
4. To reduce the risk of personal injury and electric shock, the Fan should not be played with or placed where small children can reach it.
5. Unplug power cord before servicing, or moving the Fan.

WARNING: DO NOT DEPEND UPON THE ON-OFF SWITCH AS THE SOLE MEANS OF DISCONNECTING POWER WHEN INSTALLING OR SERVICING THE FAN. ALWAYS UNPLUG THE POWER CORD.

6. This Fan must NOT be used in potentially dangerous locations such as flammable, explosive, chemical-laden or wet atmospheres.
7. DO NOT use Fan in or near a window. Rain may create an electrical hazard.
8. Completely reassemble Fan, according to instructions, before reconnecting to power supply.
9. The power cord is equipped with a three-prong grounded plug that must be inserted into a matching receptacle. Under no circumstances should the grounding prong be cut off the plug. Where a two-prong wall receptacle is encountered, it must be replaced with a properly grounded three-prong receptacle installed in accordance with the National Electrical Code (NEC) and all applicable local codes and ordinances. This work must be done only by a qualified electrician, using copper wire only.

WARNING: USE OF A THREE-PRONG TO TWO-PRONG ADAPTER IS NOT RECOMMENDED. IMPROPER CONNECTION MAY CREATE THE RISK OF ELECTRICAL SHOCK. USE OF SUCH ADAPTERS IS NOT PERMITTED IN CANADA.

WARNING: THIS PLUG IS A SAFETY FEATURE, TO REDUCE THE RISK OF FIRE, ELECTRIC SHOCK AND PERSONAL INJURY. DO NOT REMOVE, REPLACE, REPAIR OR TAMPER WITH THE ORIGINALLY SUPPLIED PLUG. IF THE FAN DOES NOT FUNCTION PROPERLY, IT MAY BE DUE TO THE SAFETY DEVICE INCORPORATED IN THIS PLUG. RETURN TO AN AUTHORIZED SERVICE CENTER OR CALL 800-233-0268, MONDAY - FRIDAY, BETWEEN

8:00 A.M. AND 5:00 P.M. EST. IF THE PLUG WARNING LABEL IS MISSING OR DAMAGED, CALL THE TOLL FREE NUMBER FOR A REPLACEMENT LABEL.

10. Where possible, avoid the use of extension cords. If they must be used, minimize the risk of overheating by ensuring that they are UL listed. Never use a single extension cord to operate more than one Fan.
11. Do not operate any Fan with a damaged cord or plug or after the Fan malfunctions, has been dropped or damaged in any manner. Return Fan to authorized service facility for examination, electrical or mechanical adjustment or repair.
12. Do not insert or allow fingers or foreign objects to enter any ventilation or exhaust opening as it may cause an electric shock or fire, or damage the Fan. Do not block or tamper with the Fan in any manner while it is in operation.
13. Always place the Fan on a stable, flat, level surface when operating, to avoid the chance of the Fan overturning. Locate the Power Cord so the Fan or other objects are not resting on it. Do not run Power Cord under carpeting. Do not cover Power Cord with throw rugs, runners, or the like. Arrange Power Cord away from room traffic and where it will not be tripped over.
14. This Fan is not intended for use in wet or damp locations. Never locate a Fan where it may fall into a bathtub or other water container.
15. Do not use Fan outdoors.
16. This Fan is not suitable for use in hazardous locations. Please refer to National Electric Code (NEC) Article 500 or applicable state or local codes or standards relating to electrical requirements for Hazardous locations. **THIS FAN DOES NOT MEET THE REQUIREMENTS OF NEC ARTICLE 500 (2008).**

WARNING: REDUCE THE RISK OF FIRE OR ELECTRIC SHOCK - DO NOT USE THIS FAN WITH ANY SOLID STATE SPEED CONTROL DEVICES.

CAUTION: BECAUSE OF THE SIZE AND WEIGHT OF THIS FAN, MAKE SURE ALL PARTS ARE COMPLETELY ASSEMBLED ACCORDING TO INSTRUCTIONS. FAILURE TO DO SO COULD RESULT IN FAN COMING APART DURING OPERATION AND/OR PERSONAL INJURY.

SAVE THESE INSTRUCTIONS

IMPORTANT INSTRUCTIONS - OPERATING MANUAL

DESCRIPTION

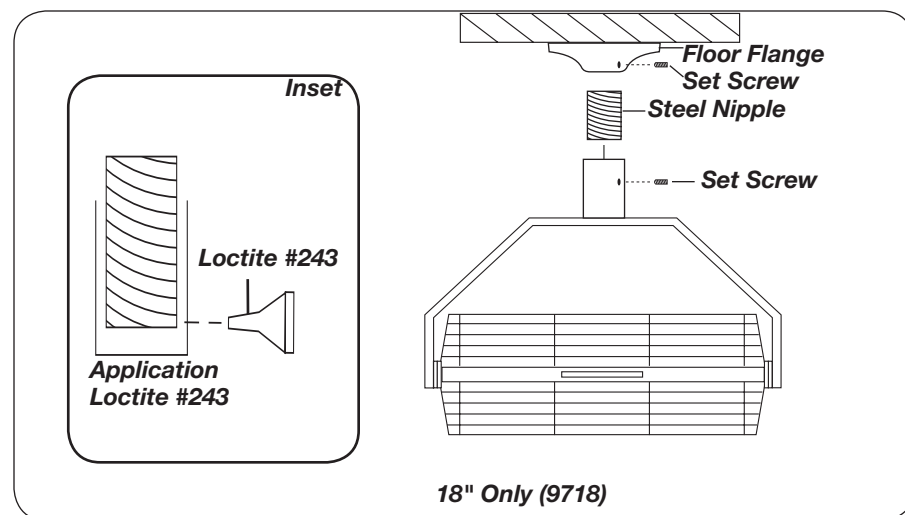
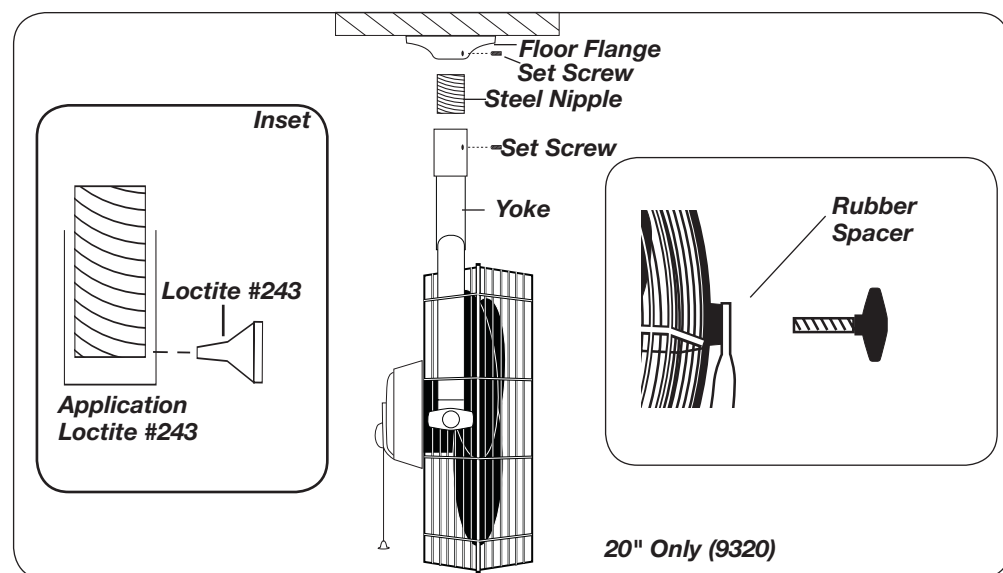
1. For mounting listed Air King® circulators from the ceiling.
2. Distance mounted from the ceiling can be changed by using a length of 1-1/2" NPT pipe. Simply substitute your pipe for the provided pipe nipple.

CEILING MOUNT INSTALLATION

1. Locate the four hole pipe flange and securely mount to ceiling structure. Ensure ceiling structure can safely support the installed Fan.
2. Open one tube of Loctite #243 by snapping tube neck just below end cap. Be certain to follow all warnings noted on Loctite #243 tube. (Inset)
3. Apply (1) entire tube of Loctite #243 onto the first 2 threads on the end of the steel nipple.
4. Screw steel nipple, (or your longer pipe), into adapter. Steel nipple must be screwed in at least 4 full revolutions.
5. Tighten provided 1/4" set screw in the yoke adapter.
6. Screw the yoke with adapter assembly onto the pipe. This assembly must also be turned at least 4 full revolutions into the pipe flange.
7. Tighten the 1/4" set screw in the adapter down securely onto the steel nipple.

CAUTION: FAN IS HEAVY AND MAY REQUIRE TWO PEOPLE TO MOUNT.

8. Align Yoke with grill mounting threads. Loosely attach one Grill Knob and one Rubber Spacer to the Head Assembly. Attach the other Grill Knob and Rubber Spacer to the Head Assembly and FIRMLY tighten. Return to the first Grill Knob and FIRMLY tighten. (Figure 1)



IMPORTANT INSTRUCTIONS - OPERATING MANUAL

CAUTION: THE SECONDARY SUPPORT CABLE PROVIDED SHOULD BE USED ANYTIME THE CIRCULATOR IS MOUNTED OVERHEAD FOR ADDITIONAL SAFETY.

SECONDARY SUPPORT CABLE (Figure 2)

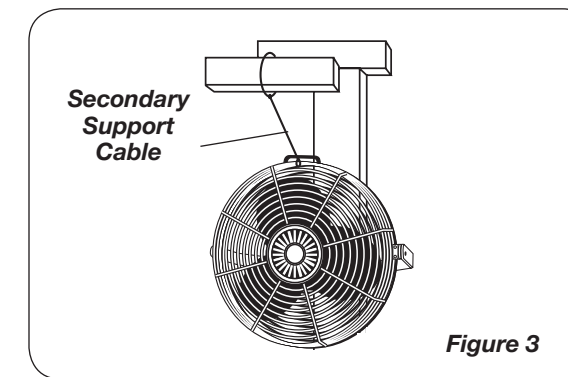
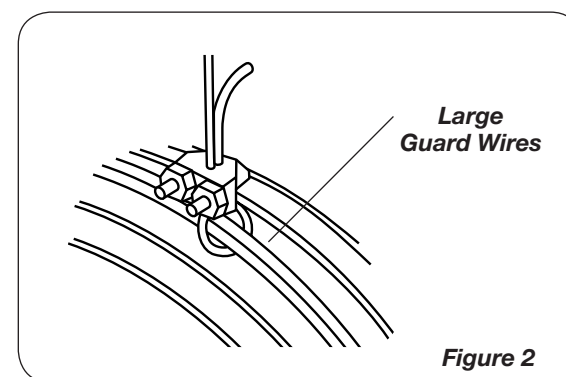
1. Loop one end of the Cable around the Large Diameter Wires of both the Front and Rear Circulator Guard.
2. Attach a Cable Clamp with the "U" on the tail side of the loop leaving a tail approximately 1 to 2 inches. Tighten Clamp Nuts. Make sure no part of the Cable interferes with the Blade.
3. Wrap the other end of the Cable around a secure building joist, truss, or other support near the Fan. (Figure 3) Do not attach cable to I-Beam mount pipe. Take up all excess slack in the Cable.

CAUTION: Use only the mounting hardware which is recommended for use on this fan.

4. Attach the remaining Cable Clamp as indicated in Step 2. The excess tail should be trimmed to extend 1 to 2 inches past the Clamp.

5. Check the Assembly to assure the Blade is free of all obstructions.

CAUTION: Use of the secondary support cable does not guarantee protection against injury of persons. Mounting of both the circulator and cable could fail if subjected to abuse, neglect or improper installation.



OPERATING INSTRUCTIONS

1. **TO OPERATE:** Plug cord into a grounded 120V, 60 Hz outlet. Select desired operating speed with pull cord on the rear of the motor:
 First pull: High Second pull: Medium
 Third pull: Low Fourth pull: OFF

WARNING:

This fan should be used only in a clean, dry environment. Mounting of this product in any way other than specified in the instruction sheet will null and void the manufacturer's warranty.

MAINTENANCE

WARNING: ALWAYS UNPLUG THE CORD BEFORE MOVING OR SERVICING.

WARNING: DO NOT IMMERSE FAN IN WATER!

CLEANING: Use a soft cloth and mild soap solution such as liquid dish washing detergent. Dry all parts completely before reconnecting to power supply.

CAUTION: Do not use gasoline, benzine, thinner, harsh cleaners, etc. as they will damage the Fan. NEVER use ALCOHOL OR SOLVENTS.

SERVICING: All other servicing, with the exception of general user maintenance, should be performed by an authorized service representative. Call 1-800-233-0268, Monday through Friday, between the hours of 8:00 a.m. and 5:00 p.m. Eastern for the location of your nearest service center.

LUBRICATION: Precision bearings are sealed at the factory for life and do not require further lubrication.

STORAGE: Store the Fan, with these instructions, in a clean and dry place.