

# DSR SERIES W audio

PROFESSIONAL SOUND REINFORCEMENT



**Order Code: SPEA38 - DSR 12**

**Order Code: SPEA39 - DSR 15**

[www.prolight.co.uk](http://www.prolight.co.uk)

**ENGLISH**

**USER MANUAL**

## WARNING

**FOR YOUR OWN SAFETY, PLEASE READ THIS USER MANUAL CAREFULLY  
BEFORE YOUR INITIAL START-UP!**

### Unpacking Instructions

Immediately upon receiving this product, carefully unpack the carton and check the contents to ensure that all the parts are present, and have been received in good condition. Notify the dealer immediately and retain the packaging material for inspection if any parts appear damaged from shipping or the carton itself shows signs of mishandling. Save the carton and all packaging materials. In the event that a fixture must be returned to the supplier, it is important that the fixture is returned in the original carton and packaging.



### SAFETY INSTRUCTIONS

Every person involved with the installation, operation & maintenance of this equipment should:

- Be competent
- Follow the instructions of this manual

Before your initial start-up, please make sure that there is no damage caused during transportation. Should there be any, consult your dealer and do not use the equipment.

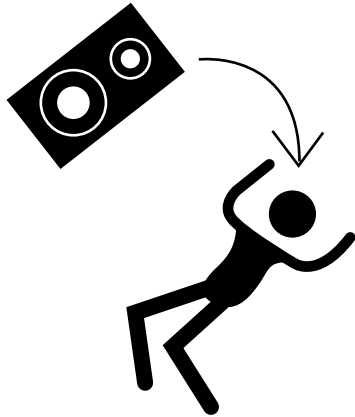

To maintain the equipment in good working condition and to ensure safe operation, it is necessary for the user to follow the safety instructions and warning notes written in this manual.




Please note that damages caused by user modifications to this equipment are not subject to warranty.



**IMPORTANT:**

**The manufacturer will not accept liability for any resulting damages caused by the non-observance of this manual or any unauthorised modification to the equipment.**

- Never leave any cables lying around.
- Do not insert any objects into the air vents.
- Never remove warning or informative labels from the equipment.
- Do not open the equipment and do not modify the equipment.
- Only use the equipment indoors.
- Do not expose to flammable sources, liquids or gases.
- Make sure you don't use the wrong kind of cables or defective cables.
- Do not drive the inputs with a signal level bigger, than required to drive the equipment to its full output
- Prevent distortion! Make sure that all components connected to the speaker have sufficient power ratings. Distortion will be generated if the components are operated at their limits.
- The user is responsible for correct positioning and operating of this fixture. The manufacturer will not accept liability for damages caused by the misuse or incorrect installation of this equipment.
- Repairs and servicing must only be carried out by a qualified technician.  
THIS UNIT CONTAINS NO USER SERVICEABLE PARTS.
- WARRANTY; One year from date of purchase.

	 <b>DANGER</b>
	<p><b>IMPACT HAZARD</b></p> <p>Secondary attachment for over head installation!          Danger to life due to falling speaker systems.</p>

	 <b>WARNING</b>	
	<p><b>LOUD NOISE HAZARD</b></p> <p><b>EAR PROTECTION MUST BE WORN</b></p>	

	 <b>CAUTION</b>
	<p><b>FIRE HAZARD</b></p> <p>Keep away from cigarettes, fire and heaters etc.          Treat the surface with a fire retardant at regular intervals.</p>

The DSR series must always be provided with enough stability. The speaker(S) base surface must always be sufficiently dimensioned in relation to the other speaker(s) in order to prevent the cabinets tilting over.

Make sure that the area below the installation place is blocked when rigging, derigging or servicing the system.

**Please note:** W Audio cannot be made liable for damages caused by incorrect installations and excessive noise levels.

## Features

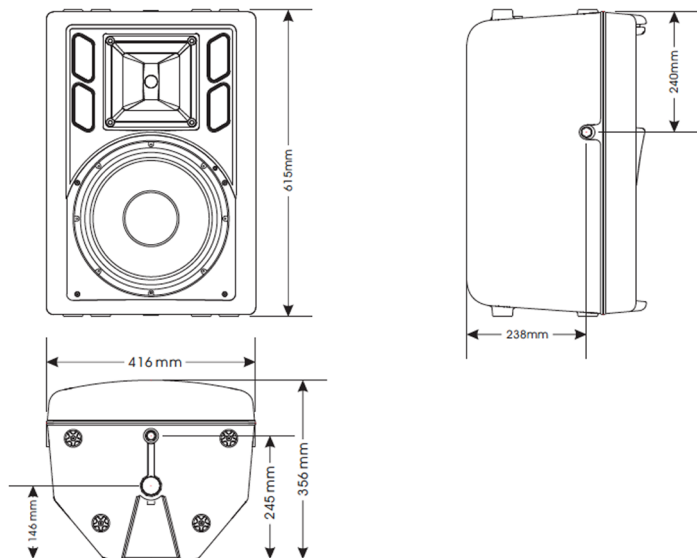
- High impact molded polypropylene enclosure.
- 1.5" Voice Coil, 1 inch Exit Aluminium Compression Driver.
- 12" or 15" Mid-Low frequency transducers.
- 1" Compression high frequency driver.
- 80° x 60° Coverage pattern.
- 5 Integral suspension points.
- Complete mounting solutions.
- Smooth Response With High Power Handling Capacity.
- Ideal for entertainers, mobile discos and small bands.
- Constant directivity horn.
- Passive 2 way crossover.
- Balanced frequency range with high sound pressure levels.
- Very high durability.
- Speaker connection via lockable speaker plugs.
- Stand adaptor.

Specifications:	DSR 12	DSR 15
Freq. Range(-10dB):	50Hz~20kHz	40Hz~20kHz
Freq. Response(-3dB):	55Hz~18kHz	45Hz~18kHz
Rec. Hi pass Frequency:	30Hz	25Hz
Max Calculated SPL:	97dB	98dB
Horizontal Coverage:	80°	80°
Vertical Coverage:	60°	60°
System Power:	200W RMS, 800W Peak	250W RMS, 1000W Peak
Nominal Impedance:	8Ω	8Ω
LF Transducer:	12"/304mm	15"/381mm
HF Transducer:	1"/25mm	1"/25mm
Crossover Frequency:	1.8kHz	2kHz
Loop/Mix Out:	2 x 4-pole speaker sockets	2 x 4-pole speaker sockets
Dimensions (H×W×D):	615 x 416 x 356mm	740 x 475 x 400mm
Net Weight:	19Kgs	22Kgs
Shipping Weight:	23Kgs	27Kgs

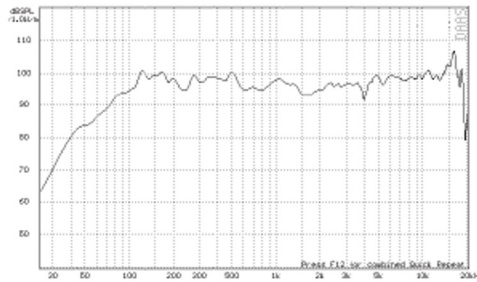
## Specifications:

### DSR 12

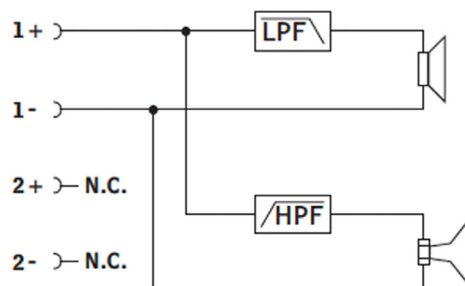
#### Dimensions:



#### Freq. chart:

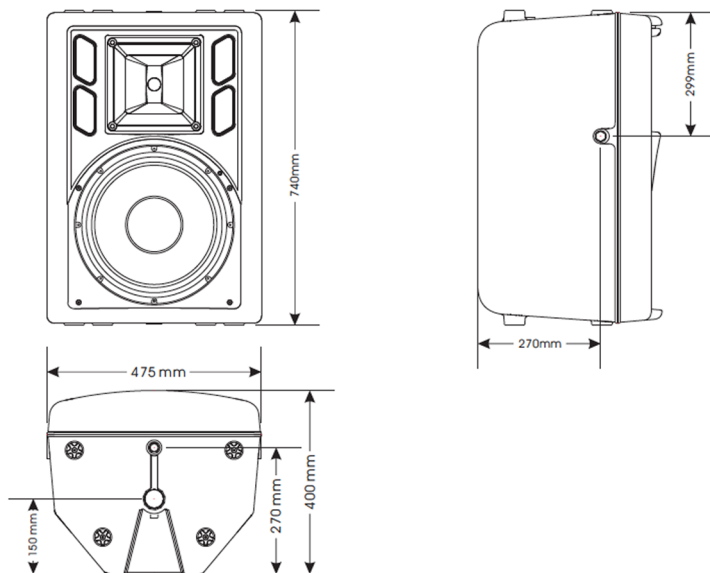


#### Block diagram:

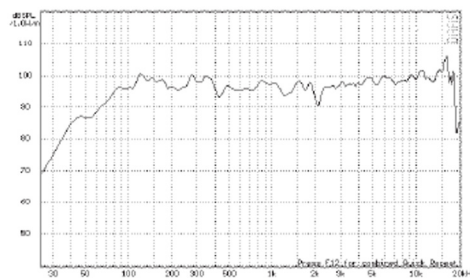


### DSR 15

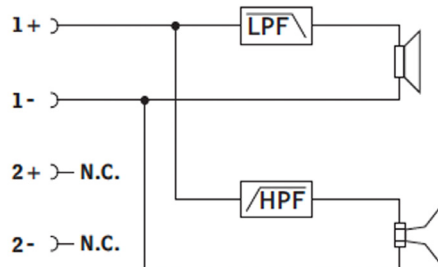
#### Dimensions:



#### Freq. chart:



#### Block diagram:

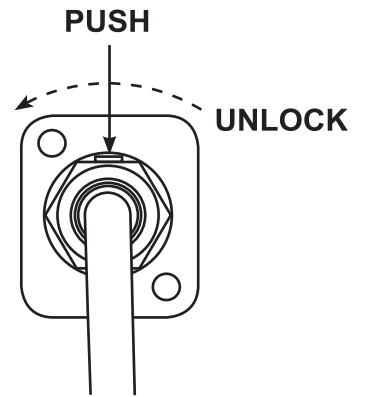
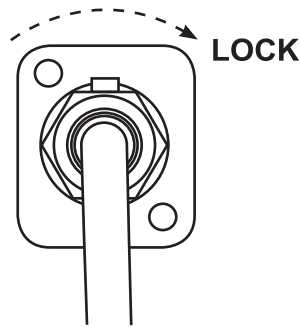
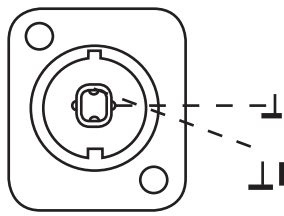


## Connections

This PSR series are equipped with 4 pole, lockable speaker sockets. For locking the connection turn the plug to the right. For unlocking pull the unlock button and turn the plug to the left and pull it out of the socket.

## Speaker socket

1+ ○                      ○ 1+  
1- ○                      ○ 1-  
2- ○                      ○ 2-  
2+ ○                      ○ 2+



## Installing the speaker cables

Connect your amplifier to the left and right speaker sockets. The signal will be transmitted to the individual speakers.

Always treat the cables carefully and protect them from damage during transportation.

Always install the cables in a structured way and protect them from damage.

The cables must be installed in a way that no person can trip over them. Always fix the cables with an appropriate tape etc.

## Installation on a Speaker Stand

The speakers may only be installed on a speaker stand if the original speaker is equipped with an appropriate stand adaptor.

Stands must only be installed on a plane area with a maximum inclination angle of 5°.

**CAUTION:** Speakers installed under the influence of horizontal forces, e.g. wind, can be impaired. This is why additional safety measures like attaching ballast weights have to be taken.

If inclined tension cables or prolonged outriggers are used, the area of danger has to be marked or blocked.

Before lifting or lowering the telescopic tubes, you must always block a safety area around the stand. This safety area must have a diameter of 1.5 times the maximum height.

Lifted telescopic tubes always have to be secured with a secondary securing attachment.

The total weight of the installation (total weight of system including individual parts) must never exceed the maximum load of the installation area.

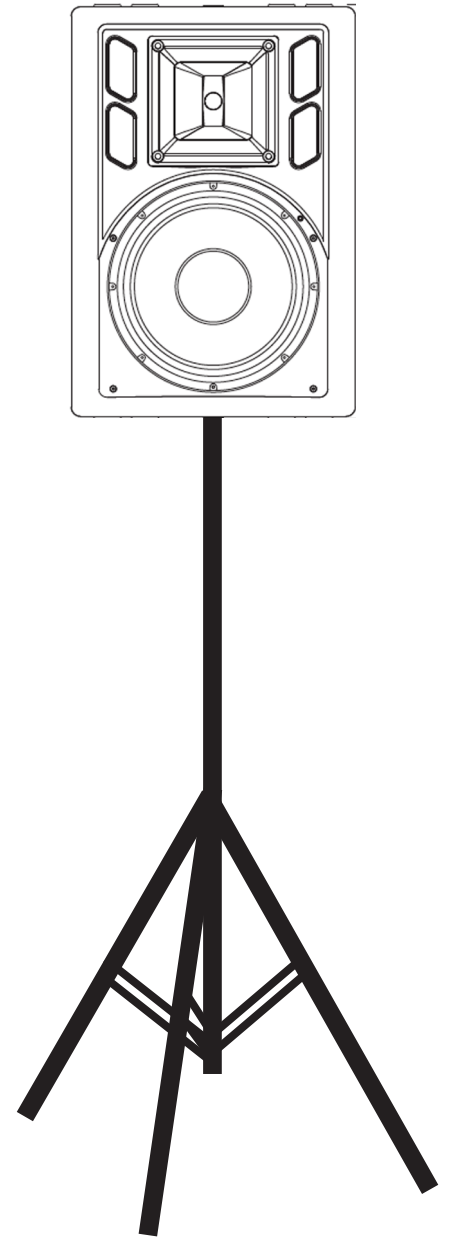
Unintended movement of the load has to be avoided - also in case of fire!

Loosen the fixing screws of the legs, pull the legs out until the cross struts are at a 90° angle to the legs. Tighten the fixing screws of the legs.

## Installation Of The Speaker

**CAUTION:** The loads have to be installed in a balanced way.

**CAUTION:** The carrying capacity of the stand or speaker stand must never be exceeded.





## Overhead Installation

If the speaker is to be installed with a mounting height of more than 1 meter (e.g. on a stage or framework), the speaker must always be secured with an appropriate secondary securing attachment.

The installation must always be secured with a secondary safety attachment. e.g. an appropriate catch net. The secondary safety attachment must be constructed in a way that no part of the installation can fall down if the main attachment fails.

When rigging, derigging, or servicing the speaker standing in the area below the installation place, on bridges or other endangered areas are forbidden.

The operator has to make sure that the safety data is approved by an expert before operation for the first time and after any changes are made.

The operator has to make sure that the safety data is approved by an expert after every four years in the course of an acceptance test.

The operator has to make sure that the safety installation data is approved by a skilled person once a year.

### Procedure

The speaker should be installed outside areas where persons may walk by or seated.

**IMPORTANT! OVER HEAD RIGGING REQUIRES EXTENSIVE EXPERIENCE**, including (but not limited to) calculating working limits, installation materials used, and periodic safety inspection of all installation materials and the speaker. If you lack these qualifications, do not attempt the installation yourself, but instead use a professional structural rigger. Improper installation can result in bodily injury and damage to your property.

The speaker has to be installed out of the reach of people.

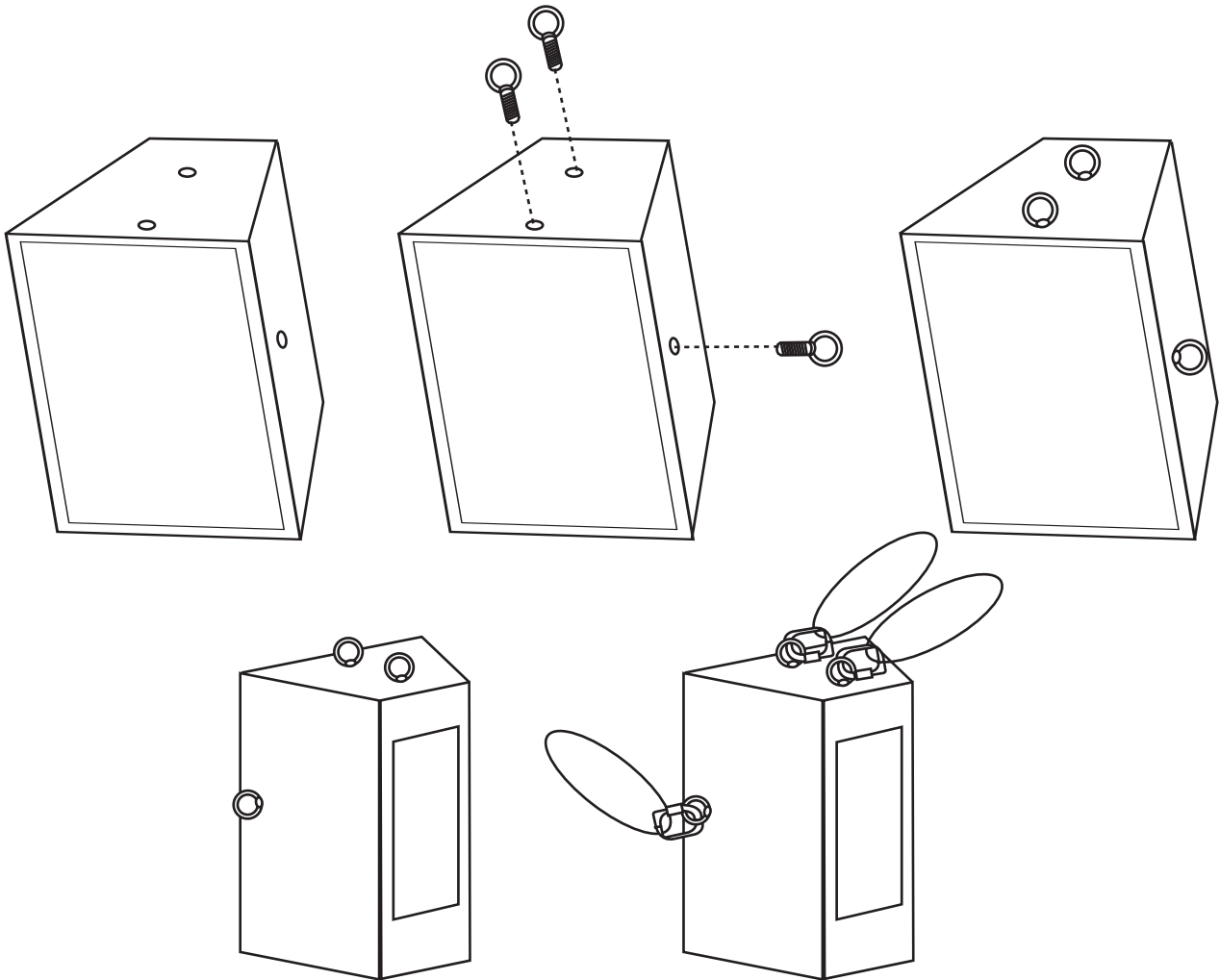
**CAUTION:** Speakers in overhead installations may cause severe injuries when falling! If you have doubts concerning the safety of a possible installation, do not install the speaker!

Before rigging make sure that the installation area can hold a minimum point load of 10 times the speakers weight.

## Secondary Attachment

Please note: The Speaker(s) must always be secured with three appropriate eye bolts and three appropriate safety ropes.

The eyelets and the safety ropes must always hold at least 12 times the weight of the speaker.



**Please note:** Before installing the eye bolts, make sure that the thread is always in perfect condition and free from dirt.

Install the eye bolts in the threaded holes on the speaker. The eye bolts must be tightened until the stop position, hand tight with out any tools.

Insert the quick links of the safety ropes in the eye bolts of the speaker system. Pull the safety ropes over a safe fixing spot. Insert the end into the quick link and tighten the safety screw.

The maximum drop distance must never exceed 20cm.

A safety rope which has already held the strain of a fall and is defective must not be used again.



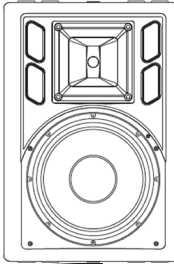
### **DANGER TO LIFE!**

Before putting the speaker into operation for the first time, the installation has to be approved by an expert!



## Wall Installation

The speaker can only be installed on a wall, if the original speaker is equipped with an appropriate mounting point.



Before attaching the speaker, make sure that the installation area can hold a minimum point load of 10 times the installations weight. (e.g. 13Kgs - 130Kgs point load).

The durability of the installation depends very much on the material used at the installation area (building material), such as wood, concrete and brick etc. This is why the fixing material must be chosen to suit the wall material. Always ask a specialist for the correct plug/screw combination indicating the maximum load and building material.

## Suspended Installation

	<p style="text-align: center;"><b>DANGER TO LIFE!</b></p> <p style="text-align: center;">The speaker must only be suspended by an experienced and trained persons! Danger to life due to falling speakers.</p>	
---	--	---

## Suspended Installation

The speaker(s) has to be installed out of the reach of people.

The installation material must always hold at least 12 times the weight of the speaker.

Please note: The installation must always be carried out via two eye bolts on top of the and one at the rear. The speaker can be tilted in a maximum vertical angle of 115° or maximum horizontal angle of 25°.



[www.prolight.co.uk](http://www.prolight.co.uk)