

# TITAN™ LV

## Large Volume Power Burner: Gas, Oil & Dual Fuel Commercial Water Heaters



- **Limited Warranty Outline**
  - If the tank should leak any time during the first three years, under the terms of the warranty, State Water Heaters will repair or replace heater; installation, labor, handling and local delivery extra.
  - **NOTE: This Outline Is NOT A Warranty.** For complete information, consult the written warranty or State Water Heaters.
- **TPO – Oil Fired Models: No. 1 or 2 Oil**
  - Multi-annular fuel containment combustor head
  - Available for firing light fuel oils including diesel
  - Oil ignition transformer
  - Integral 2-stage fuel unit
  - Squirrel cage blower
  - Oil safety valve
- **TPD – Dual Fuel Gas/Oil: Natural Gas or Propane & No. 1 or 2 Oil**
  - Multi-annular fuel containment combustor head
  - Gas electric pilot and gas ignition transformer
  - Pilot and main pressure regulators
  - Air safety switch
  - Manual fuel selector switch
  - Integral 2-stage fuel unit
  - Squirrel cage blower
- **Meets or exceeds current edition of ASHRAE/IES-90.1-1999.**
- **Low NO<sub>x</sub>** – TPX Low NO<sub>x</sub> models meet or exceed current Texas and California SCAQMD air quality standards.
- **UL** – Entire unit UL listed (File No. MH11631).
- **Glass-Lined Tank** – Exclusive corrosion protection with glass-lining on all interior surfaces. Multiple anodes provide even more corrosion protection.
- **ASME Construction Standard** – 160 PSI working pressure on all models.
- **Powered Gas Burner** – Powered burner has electronic flame safeguard control with intermittent spark ignition. Also included are main and pilot automatic gas valves plus gas pressure regulators, diaphragm air switch for proof of blower operation.
  - TPX Low NO<sub>x</sub> Models are factory standard with modulating fire. The burner automatically adjusts the firing rate and the Btu output to maintain precise system temperature control.
- **Fully Automatic Controls With Safety Shutoff** – High temperature limit control (manual reset). ASME rated temperature and pressure relief valve. Hinged door control compartment for ease of access. Two thermostats, upper and lower, for accurate temperature control. Standard control is for 120°F - 180°F water service.
- **Jacket And Insulation** – Heavy gauge steel with baked powder coat finish. Insulated with high-density foam insulation that meets or exceeds all required standards.
- **Professional Start-Up Service Furnished To Assure Most Efficient Combustion And Safe Initial Start-Up.**
- **Other Features**
  - Two layers of high temperature ceramic fiber insulation in combustion chamber
  - Flame inspection port opening
  - Mounted on rugged channel iron skirts
  - Combination temperature and pressure gauge
  - Low water cutoff
  - ASME rated temperature and pressure relief valve
  - Barometric draft regulator
  - Two cleanout inspection openings
  - 120 volt control circuit
  - Drain valve
  - Removable lifting lugs
- **Options**
  - Factory Mutual approved control arrangement
  - Industrial Risk Insurance (IRI Gas Train)
  - 5 year or 10 year limited warranty
  - High or low water pressure switch
  - 180°F water service thermostats
  - A.G.A. rated T & P Valve
  - Modular graphic burner systems management on heaters with 270,000 Btu input and over
  - Combustion Air intake Adapter

# TITAN LV

## TPG Power Gas Large Volume Commercial Water Heaters

### SPECIFICATIONS

Model Number	Nominal Storage Capacity U.S. Gallons	Input Rating BTU/Hr. Natural Gas	Output (Gallons)			Dimensions In Inches								Ship. Wt. w/Burner (lbs.)	Motor HP 120V 60 Hz 1		
			First Hour Rating	80°F Rise	100°F Rise	140°F Rise	A	B	C	D	E	F	G			H	J
TPG 150 140 NEA	150	140,000	256	170	136	97	83½	14	½	27¾	1¼	36½	5	47	73	1292	¼ HP - 2.5 Amps
TPG 150 199 NEA	150	199,000	313	241	193	138	83½	14	½	27¾	1¼	36½	6	47	73	1292	
TPG 150 255 NEA	150	255,000	367	359	247	176	83½	14	½	27¾	1¼	36½	6	47	73	1292	
TPG 150 270 NEA	150	270,000	382	327	262	187	83½	14	1	27¾	1¼	36½	6	57½	73	1397	¼ HP - 4.6 Amps
TPG 150 400 NEA	150	400,000	507	485	387	277	83½	14	1	27¾	1¼	36½	7	57½	73	1397	
TPG 150 540 NEA	150	540,000	644	654	524	374	83½	14	1	27¾	1¼	36½	8	57½	73	1505	
TPG 150 720 NEA	150	720,000	818	873	698	499	83½	14	1¼	27¾	1¼	36½	10	57½	73	1510	¼ HP - 5.5 Amps
TPG 200 300 NEA	200	300,000	451	364	291	208	83½	15	1	32½	1½	44¾	6	66½	73	2098	¼ HP - 4.6 Amps
TPG 200 600 NEA	200	600,000	742	727	582	416	83½	15	1	32½	1½	44¾	8	66½	73	2098	
TPG 200 800 NEA	200	800,000	936	970	776	554	83½	15	1¼	32½	1½	44¾	10	66½	73	2103	¼ HP - 5.5 Amps
TPG 200 1000 NEA	200	1,000,000	1130	1212	970	693	83½	15	1¼	32½	1½	44¾	10	66½	73	2103	
TPG 200 1250 NEA	200	1,250,000	1372	1515	1212	866	83½	15	1¼	32½	1½	44¾	12	66½	73	2467	½ HP - 7.4 Amps
TPG 200 1500 NEA	200	1,500,000	1615	1818	1455	1039	83½	15	1½	32½	1½	44¾	12	81½	73	2757	
TPG 300 300 NEA	300	300,000	531	364	291	208	91½	14	1	26½	1½	44¾	6	66½	83	2150	¼ HP - 4.6 Amps
TPG 300 600 NEA	300	600,000	822	727	582	416	91½	14	1	26½	1½	44¾	8	66½	83	2150	
TPG 300 800 NEA	300	800,000	1016	970	776	554	91½	14	1¼	26½	1½	44¾	10	66½	83	2308	¼ HP - 5.5 Amps
TPG 300 1000 NEA	300	1,000,000	1210	1212	970	693	91½	14	1¼	26½	1½	44¾	10	66½	83	2308	
TPG 300 1250 NEA	300	1,250,000	1452	1515	1212	866	91½	14	1¼	26½	1½	44¾	12	66½	83	2584	½ HP - 7.4 Amps
TPG 300 1500 NEA	300	1,500,000	1695	1818	1455	1039	91½	14	1½	26½	1½	44¾	12	81½	83	2774	
TPG 400 600 NEA	400	600,000	902	727	582	416	91½	15	1	32½	2	55	8	76½	81	3207	¼ HP - 4.6 Amps
TPG 400 800 NEA	400	800,000	1096	970	776	554	91½	15	1¼	32½	2	55	10	76½	81	3212	
TPG 400 1000 NEA	400	1,000,000	1290	1212	970	693	91½	15	1¼	32½	2	55	10	76½	81	3212	¼ HP - 5.5 Amps
TPG 400 1250 NEA	400	1,250,000	1532	1515	1212	866	91½	15	1¼	32½	2	55	12	76½	81	3212	
TPG 400 1500 NEA	400	1,500,000	1775	1816	1455	1039	91½	15	1½	32½	2	55	12	91½	81	3402	½ HP - 7.4 Amps
TPG 400 1750 NEA	400	1,750,000	2017	2121	1697	1212	91½	15	2	32½	2	55	14	91½	81	3528	
TPG 400 2000 NEA	400	2,000,000	2259	2424	1939	1385	99½	15	2	32½	2	55	14	91½	89	3669	
TPG 500 2250 NEA	500	2,250,000	2582	2727	2182	1558	110	15	2	32½	2	55	16	91½	100	4277	¾ HP - 10.2 Amps
TPG 500 2500 NEA	500	2,500,000	2824	3030	2424	1732	110	15	2	32½	2	55	16	91½	100	4419	
TPG 600 720 NEA	600	720,000	1178	873	698	499	119	15	1¼	32½	2	55	10	76½	109	3667	¼ HP - 5.5 Amps
TPG 600 1000 NEA	600	1,000,000	1450	1212	970	693	119	15	1¼	32½	2	55	10	76½	109	3667	
TPG 600 1250 NEA	600	1,250,000	1692	1515	1212	866	119	15	1¼	32½	2	55	12	76½	109	3667	
TPG 600 1500 NEA	600	1,500,000	1935	1816	1455	1039	119	15	1½	32½	2	55	12	91½	109	3837	½ HP - 7.4 Amps
TPG 600 1750 NEA	600	1,750,000	2177	2121	1697	1212	119	15	2	32½	2	55	14	91½	109	3837	
TPG 600 2000 NEA	600	2,000,000	2419	2424	1939	1385	119	15	2	32½	2	55	14	91½	109	3837	
TPG 600 2250 NEA	600	2,250,000	2662	2727	2182	1558	119	15	2	32½	2	55	16	91½	109	4477	¾ HP - 10.2 Amps
TPG 600 2500 NEA	600	2,500,000	2904	3030	2424	1732	119	15	2	32½	2	55	16	91½	109	4619	

Certified Minimum Installation Clearances to Combustibles:

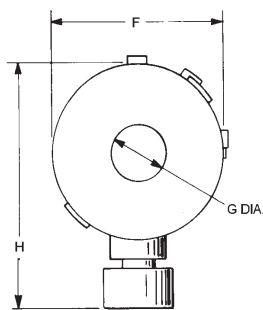
- Front: 18 inches
- Back: 0 inches
- Sides: 0 inches
- Top: 5 inches

A clearance of 24 inches should be maintained from serviceable parts such as relief valve, power burner, drain valve and anodes (anodes are located on side above cold water inlet).

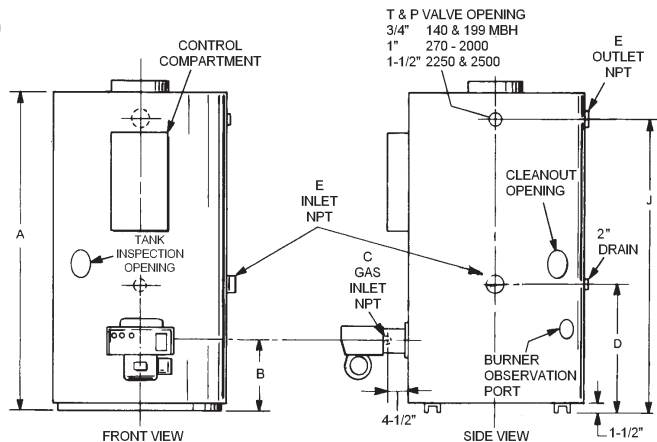
Minimum gas supply pressure: 7 Inches W.C.  
Maximum gas supply pressure: 13 Inches W.C.

TPG models are Category I appliances (Fan Assisted) and require a negative draft. These units should only be commonly vented with other Category I negative draft appliances per the latest addition of the National Fuel Gas Code. An approved/listed Type "B" venting material is recommended. A negative draft of -0.02" to -0.07" is required in the vent.

TPG models are available in both natural gas and propane. To order propane, change the "N" to "P" in the model number. Example: TPG 150 140 PEA



TOP VIEW



FRONT VIEW

SIDE VIEW



500 Lindahl Parkway, Ashland City, TN 37015 • www.statewaterheaters.com

# TITAN™ LV

## TPX Power Low NO<sub>x</sub> Large Volume Commercial Water Heaters

### SPECIFICATIONS

Model Number	Nominal Storage Capacity U.S. Gallons	Input Rating BTU/Hr. Natural Gas	First Hour Rating	Output (Gallons)			Dimensions In Inches								Motor HP 120V 60 Hz 1	
				80°F Rise	100°F Rise	140°F Rise	A	B	C	D	E	F	G	H		J
TPX 150 400 NEA	150	400,000	507	485	387	277	83½	14	1	27¼	1¼	54	7	57½	73	½ HP - 2.5 Amps
TPX 150 540 NEA	150	540,000	644	654	524	374	83½	14	1	27¼	1¼	54	8	57½	73	
TPX 200 800 NEA	200	800,000	936	970	776	554	83½	15	1¼	32½	1½	60	10	72	73	½ HP - 8.6 Amps
TPX 200 1000 NEA	200	1,000,000	1130	1212	970	693	83½	15	1¼	32½	1½	60	10	72	73	
TPX 200 1250 NEA	200	1,250,000	1372	1515	1212	866	83½	15	1¼	32½	1½	60	12	72	73	
TPX 200 1500 NEA	200	1,500,000	1615	1818	1455	1039	83½	15	1½	32½	1½	60	12	72	73	
TPX 300 800 NEA	300	800,000	1016	970	776	554	91½	14	1¼	26½	1½	60	10	72	83	
TPX 300 1000 NEA	300	1,000,000	1210	1212	970	693	91½	14	1¼	26½	1½	60	10	72	83	
TPX 300 1250 NEA	300	1,250,000	1452	1515	1212	866	91½	14	1¼	26½	1½	60	12	72	83	
TPX 300 1500 NEA	300	1,500,000	1695	1818	1455	1039	91½	14	1½	26½	1½	60	12	72	83	
TPX 400 800 NEA	400	800,000	1096	970	776	554	91½	15	1¼	32½	2	67	10	84	81	
TPX 400 1000 NEA	400	1,000,000	1290	1212	970	693	91½	15	1¼	32½	2	67	10	84	81	
TPX 400 1250 NEA	400	1,250,000	1532	1515	1212	866	91½	15	1¼	32½	2	67	12	84	81	
TPX 400 1500 NEA	400	1,500,000	1775	1816	1455	1039	91½	15	1½	32½	2	67	12	84	81	
TPX 400 1750 NEA	400	1,750,000	2017	2121	1697	1212	91½	15	2	32½	2	55	14	91½	81	1 HP - 12.4 Amps
TPX 400 2000 NEA	400	2,000,000	2259	2424	1939	1385	99½	15	2	32½	2	55	14	91½	89	
TPX 600 1000 NEA	600	1,000,000	1450	1212	970	693	119	15	1¼	32½	2	67	10	84	109	½ HP - 8.6 Amps
TPX 600 1250 NEA	600	1,250,000	1692	1515	1212	866	119	15	1¼	32½	2	67	12	84	109	
TPX 600 1500 NEA	600	1,500,000	1935	1816	1455	1039	119	15	1½	32½	2	67	12	84	109	
TPX 600 1750 NEA	600	1,750,000	2177	2121	1697	1212	119	15	2	32½	2	55	14	91½	109	1 HP - 12.4 Amps
TPX 600 2000 NEA	600	2,000,000	2419	2424	1939	1385	119	15	2	32½	2	55	14	91½	109	

Certified Minimum Installation Clearances to Combustibles:

- Front: 18 inches
- Back: 0 inches
- Sides: 0 inches
- Top: 5 inches

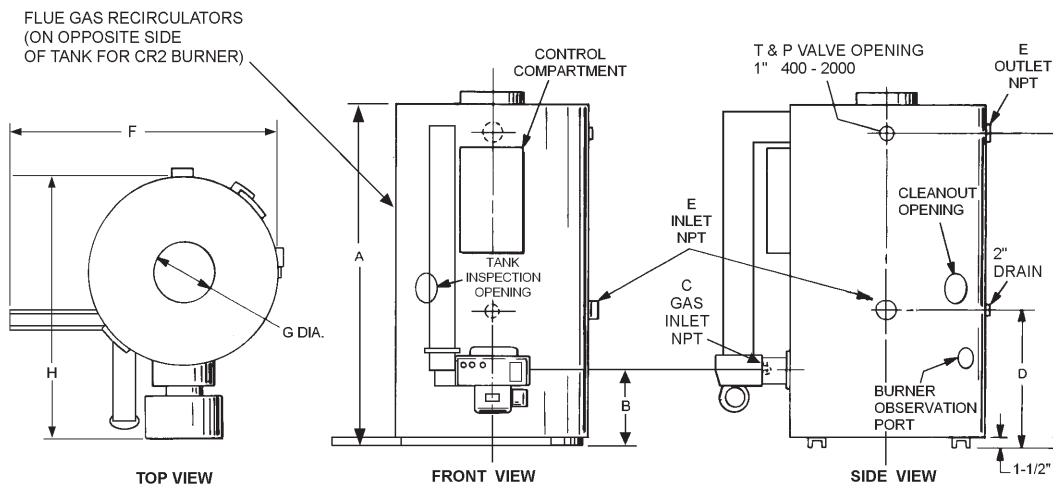
A clearance of 24 inches should be maintained from serviceable parts such as relief valve, power burner, drain valve and anodes (anodes are located on side above cold water inlet).

Minimum gas supply pressure: 7 Inches W.C.  
Maximum gas supply pressure: 13 Inches W.C.

TPX models are Category I appliances (Fan Assisted) and require a negative draft. These units should only be commonly vented with other Category I negative draft appliances per the latest addition of the National Fuel Gas Code. An approved/listed Type "B" venting material is recommended. A negative draft of -0.02' to -0.07 is required in the vent.



ASME



500 Lindahl Parkway, Ashland City, TN 37015 • www.statewaterheaters.com

# TITAN LV

## TPO Power Oil Large Volume Commercial Water Heaters

### SPECIFICATIONS

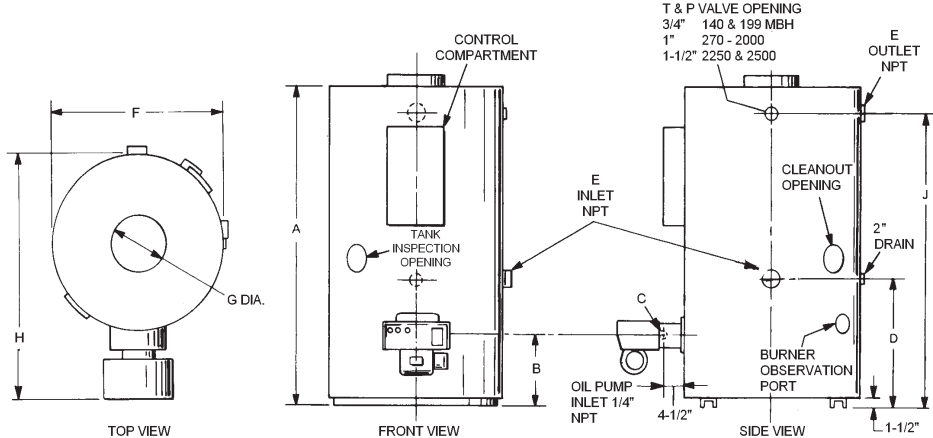
Model Number	Actual Storage Capacity U.S. Gallons	Input Rating BTU/Hr.	Firing Rate GPH	Output (Gallons) Recovery			Dimensions In Inches								Ship. Wt. w/Burner (lbs.)	Motor HP 120V 60 Hz 1	
				80°F Rise	100°F Rise	140°F Rise	A	B	C	D	E	F	G	H			J
TPO 150 140 OEA	163	140,000	1	170	136	97	83½	14	-	27¾	1¼	36½	5	47	73	1292	½ HP - 4.4 Amp
TPO 150 199 OEA	163	199,000	1.4	241	193	138	83½	14	-	27¾	1¼	36½	6	47	73	1292	
TPO 150 255 OEA	163	255,000	1.8	309	247	176	83½	14	-	27¾	1¼	36½	6	47	73	1292	
TPO 150 270 OEA	163	270,000	1.9	327	262	187	83½	14	-	27¾	1¼	36½	6	57½	73	1397	½ HP - 4.6 Amp
TPO 150 400 OEA	151	400,000	2.8	485	387	277	83½	14	-	27¾	1¼	36½	7	57½	73	1397	
TPO 150 540 OEA	151	540,000	3.8	654	524	374	83½	14	-	27¾	1¼	36½	8	57½	73	1505	
TPO 150 720 OEA	145	720,000	5.1	873	698	416	83½	14	-	27¾	1¼	36½	10	57½	73	1510	
TPO 200 300 OEA	221	300,000	2.1	364	291	208	83½	15	-	32½	1½	44¾	6	66½	73	2098	½ HP - 5.5 Amp
TPO 200 600 OEA	221	600,000	4.2	727	582	416	83½	15	-	32½	1½	44¾	8	66½	73	2098	
TPO 200 800 OEA	221	800,000	5.7	970	776	554	83½	15	-	32½	1½	44¾	10	66½	73	2103	
TPO 200 1000 OEA	201	1,000,000	7.1	1212	970	693	83½	15	-	32½	1½	44¾	10	66½	73	2103	¾ HP - 10.2 Amp
TPO 200 1250 OEA	201	1,250,000	8.9	1515	1212	866	83½	15	-	32½	1½	44¾	12	66½	73	2467	
TPO 200 1500 OEA	201	1,500,000	10.7	1818	1455	1039	83½	15	-	32½	1½	44¾	12	81½	73	2757	
TPO 300 300 OEA	300	300,000	2.1	364	291	208	91½	14	-	26½	1½	44¾	6	66½	83	2150	½ HP - 4.6 Amp
TPO 300 600 OEA	300	600,000	4.2	727	582	416	91½	14	-	26½	1½	44¾	8	66½	83	2150	
TPO 300 800 OEA	300	800,000	5.7	970	776	554	91½	14	-	26½	1½	44¾	10	66½	83	2308	
TPO 300 1000 OEA	300	1,000,000	7.1	1212	970	693	91½	14	-	26½	1½	44¾	10	66½	83	2308	½ HP - 5.5 Amp
TPO 300 1250 OEA	300	1,250,000	8.9	1515	1212	866	91½	14	-	26½	1½	44¾	12	66½	83	2584	
TPO 300 1500 OEA	300	1,500,000	10.7	1818	1455	1039	91½	14	-	26½	1½	44¾	12	81½	83	2774	
TPO 400 600 OEA	411	600,000	4.2	727	582	416	91½	15	-	32½	2	55	8	76½	81	3207	¾ HP - 10.2 Amp
TPO 400 800 OEA	411	800,000	5.7	970	776	554	91½	15	-	32½	2	55	10	76½	81	3212	
TPO 400 1000 OEA	411	1,000,000	7.1	1212	970	693	91½	15	-	32½	2	55	10	76½	81	3212	
TPO 400 1250 OEA	411	1,250,000	8.9	1515	1212	866	91½	15	-	32½	2	55	12	76½	81	3212	¾ HP - 10.2 Amp
TPO 400 1500 OEA	397	1,500,000	10.7	1816	1455	1039	91½	15	-	32½	2	55	12	91½	81	3402	
TPO 400 1750 OEA	397	1,750,000	12.5	2121	1697	1212	91½	15	-	32½	2	55	14	91½	81	3528	
TPO 400 2000 OEA	397	2,000,000	14.2	2424	1939	1385	99½	15	-	32½	2	55	14	91½	89	3669	1 HP - 16 Amp
TPO 500 2250 OEA	495	2,250,000	16	2727	2182	1558	110	15	-	32½	2	55	16	91½	100	4277	
TPO 500 2500 OEA	495	2,500,000	17.8	3030	2424	1732	110	15	-	32½	2	55	16	91½	100	4419	
TPO 600 720 OEA	594	720,000	5.1	873	698	499	119	15	-	32½	2	55	10	76½	109	3667	¾ HP - 4.6 Amp
TPO 600 1000 OEA	594	1,000,000	7.1	1212	970	693	119	15	-	32½	2	55	10	76½	109	3667	
TPO 600 1250 OEA	594	1,250,000	8.9	1515	1212	866	119	15	-	32½	2	55	12	76½	109	3667	
TPO 600 1500 OEA	594	1,500,000	10.7	1816	1455	1039	119	15	-	32½	2	55	12	91½	109	3837	¾ HP - 10.2 Amp
TPO 600 1750 OEA	594	1,750,000	12.5	2121	1697	1212	119	15	-	32½	2	55	14	91½	109	3837	
TPO 600 2000 OEA	594	2,000,000	14.3	2424	1939	1385	119	15	-	32½	2	55	14	91½	109	3837	
TPO 600 2250 OEA	575	2,250,000	16	2727	2182	1558	119	15	-	32½	2	55	16	91½	109	4477	1 HP - 16 Amp
TPO 600 2500 OEA	575	2,500,000	17.8	3030	2424	1732	119	15	-	32½	2	55	16	91½	109	4619	

Certified Minimum Installation Clearances to Combustibles:

- Front: 18 inches
- Back: 0 inches
- Sides: 0 inches
- Top: 5 inches

A clearance of 24 inches should be maintained from serviceable parts such as relief valve, power burner, drain valve and anodes (anodes are located on side above cold water inlet).

State Titan TPO models are Category I appliances (Fan Assisted) and require a negative draft. These units should only be commonly vented with other Category I negative draft appliances per the latest addition of the National Fuel Gas Code. An approved/listed Type "B" venting material is recommended. A negative draft of -0.02" to -0.07" is required in the vent.



# TITAN™ LV

## TPD Power Dual Fuel Large Volume Commercial Water Heaters

### SPECIFICATIONS

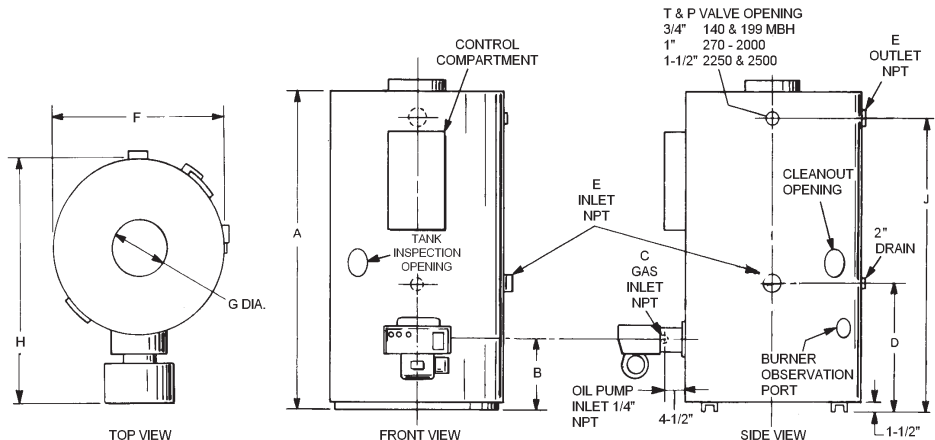
Model Number	Actual Storage Capacity U.S. Gallons	Input Rating BTU/Hr.	Firing Rate GPH	Output (Gallons) Recovery			Dimensions In Inches								Ship. Wt. w/Burner (lbs.)	Motor HP 120V 60 Hz 1	
				80°F Rise	100°F Rise	140°F Rise	A	B	C	D	E	F	G	H			J
TPD 150 140 ONEA	163	140,000	1	170	136	97	83½	14	½	27¼	1¼	36½	5	47	73	1292	½ HP - 4.4 Amp
TPD 150 199 ONEA	163	199,000	1.4	241	193	138	83½	14	½	27¼	1¼	36½	6	47	73	1292	
TPD 150 255 ONEA	163	255,000	1.8	309	247	176	83½	14	½	27¼	1¼	36½	6	47	73	1292	
TPD 150 270 ONEA	163	270,000	1.9	327	262	187	83½	14	1	27¼	1¼	36½	6	57½	73	1397	
TPD 150 400 ONEA	151	400,000	2.8	485	387	277	83½	14	1	27¼	1¼	36½	7	57½	73	1397	¾ HP - 4.6 Amp
TPD 150 540 ONEA	151	540,000	3.8	654	524	374	83½	14	1	27¼	1¼	36½	8	57½	73	1505	
TPD 150 720 ONEA	145	720,000	5.1	873	698	416	83½	14	1¼	27¼	1¼	36½	10	57½	73	1510	
TPD 200 300 ONEA	221	300,000	2.1	364	291	208	83½	15	1	32½	1½	44¼	6	66½	73	2098	
TPD 200 600 ONEA	221	600,000	4.2	727	582	416	83½	15	1	32½	1½	44¼	8	66½	73	2098	½ HP - 5.5 Amp
TPD 200 800 ONEA	221	800,000	5.7	970	776	554	83½	15	1¼	32½	1½	44¼	10	66½	73	2103	
TPD 200 1000 ONEA	201	1,000,000	7.1	1212	970	693	83½	15	1¼	32½	1½	44¼	10	66½	73	2103	
TPD 200 1250 ONEA	201	1,250,000	8.9	1515	1212	866	83½	15	1¼	32½	1½	44¼	12	66½	73	2467	
TPD 200 1500 ONEA	201	1,500,000	10.7	1818	1455	1039	83½	15	1½	32½	1½	44¼	12	81½	73	2757	¾ HP - 10.2 Amp
TPD 300 300 ONEA	300	300,000	2.1	364	291	208	91½	14	1	26½	1½	44¼	6	66½	83	2150	¾ HP - 4.6 Amp
TPD 300 600 ONEA	300	600,000	4.2	727	582	416	91½	14	1	26½	1½	44¼	8	66½	83	2150	
TPD 300 800 ONEA	300	800,000	5.7	970	776	554	91½	14	1¼	26½	1½	44¼	10	66½	83	2308	½ HP - 5.5 Amp
TPD 300 1000 ONEA	300	1,000,000	7.1	1212	970	693	91½	14	1¼	26½	1½	44¼	10	66½	83	2308	
TPD 300 1250 ONEA	300	1,250,000	8.9	1515	1212	866	91½	14	1¼	26½	1½	44¼	12	66½	83	2584	
TPD 300 1500 ONEA	300	1,500,000	10.7	1818	1455	1039	91½	14	1½	26½	1½	44¼	12	81½	83	2774	
TPD 400 600 ONEA	411	600,000	4.2	727	582	416	91½	15	1	32½	2	55	8	76½	81	3207	¾ HP - 4.6 Amp
TPD 400 800 ONEA	411	800,000	5.7	970	776	554	91½	15	1¼	32½	2	55	10	76½	81	3212	½ HP - 5.5 Amp
TPD 400 1000 ONEA	411	1,000,000	7.1	1212	970	693	91½	15	1¼	32½	2	55	10	76½	81	3212	
TPD 400 1250 ONEA	411	1,250,000	8.9	1515	1212	866	91½	15	1¼	32½	2	55	12	76½	81	3212	
TPD 400 1500 ONEA	397	1,500,000	10.7	1816	1455	1039	91½	15	1½	32½	2	55	12	91½	81	3402	¾ HP - 10.2 Amp
TPD 400 1750 ONEA	397	1,750,000	12.5	2121	1697	1212	91½	15	2	32½	2	55	14	91½	81	3528	
TPD 400 2000 ONEA	397	2,000,000	14.2	2424	1939	1385	99½	15	2	32½	2	55	14	91½	89	3669	
TPD 500 2250 ONEA	495	2,250,000	16	2727	2182	1558	110	15	2	32½	2	55	16	91½	100	4277	
TPD 500 2500 ONEA	495	2,500,000	17.8	3030	2424	1732	110	15	2	32½	2	55	16	91½	100	4419	1 HP - 16 Amp
TPD 600 720 ONEA	594	720,000	5.1	873	698	499	119	15	1¼	32½	2	55	10	76½	109	3667	¾ HP - 4.6 Amp
TPD 600 1000 ONEA	594	1,000,000	7.1	1212	970	693	119	15	1¼	32½	2	55	10	76½	109	3667	½ HP - 5.5 Amp
TPD 600 1250 ONEA	594	1,250,000	8.9	1515	1212	866	119	15	1¼	32½	2	55	12	76½	109	3667	
TPD 600 1500 ONEA	594	1,500,000	10.7	1816	1455	1039	119	15	1½	32½	2	55	12	91½	109	3837	¾ HP - 10.2 Amp
TPD 600 1750 ONEA	594	1,750,000	12.5	2121	1697	1212	119	15	2	32½	2	55	14	91½	109	3837	
TPD 600 2000 ONEA	594	2,000,000	14.3	2424	1939	1385	119	15	2	32½	2	55	14	91½	109	3837	
TPD 600 2250 ONEA	575	2,250,000	16	2727	2182	1558	119	15	2	32½	2	55	16	91½	109	4477	
TPD 600 2500 ONEA	575	2,500,000	17.8	3030	2424	1732	119	15	2	32½	2	55	16	91½	109	4619	1 HP - 16 Amp

#### Certified Minimum Installation Clearances to Combustibles:

- Front: 18 inches
- Back: 0 inches
- Sides: 0 inches
- Top: 5 inches

A clearance of 24 inches should be maintained from serviceable parts such as relief valve, power burner, drain valve and anodes (anodes are located on side above cold water inlet).

State Titan TPD models are Category I appliances (Fan Assisted) and require a negative draft. These units should only be commonly vented with other Category I negative draft appliances per the latest addition of the National Fuel Gas Code. An approved/listed Type "B" venting material is recommended. A negative draft of -0.02" to -0.07" is required in the vent.



ASME



500 Lindahl Parkway, Ashland City, TN 37015 • www.statewaterheaters.com

The Expert's Choice®

# TITAN™ LV

## Large Volume Power Burner: Gas, Oil & Dual Fuel Commercial Water Heaters

### SUGGESTED SPECIFICATIONS

#### TITAN™ LV POWER GAS (MODELS TPG)

Water heater(s) shall be Model \_\_\_\_\_ as manufactured by State Water Heaters or an approved equal. Water heater(s) shall be of glass-lined design and include a powered gas burner with electronic flame safeguard, intermittent ignition, main and pilot automatic gas valves, redundant solenoid gas valve, gas pressure regulator, diaphragm air switch for proof of blower operation, and flame inspection port. Maximum supply gas pressure to heater 13" W.C. Heater(s) shall have an input rating of \_\_\_\_\_ and a recovery rating of \_\_\_\_\_ GPH at a temperature rise of 100°F with a minimum actual storage capacity of \_\_\_\_\_. Heater(s) shall be equipped with \_\_\_\_\_ NPT water inlet and outlet openings, (2) 3" handhole cleanouts, shall have an ASME working pressure of 160 psi, and stamped National Board, and listed by Underwriters Laboratories. Controls shall include: high temperature limit control (manual reset), upper and lower thermostats, combination temperature and pressure gauge, low water cutoff, ASME rated temperature relief valve, drain valve and draft regulator. Control compartment door shall be hinged for easy access. The heater(s) shall be equipped with multiple anodes for cathodic protection. The heater(s) shall be insulated with high-density foam insulation. Heater(s) must meet or exceed current ASHRAE/IES 90.1-1999 for recovery efficiency and standby loss. The outer jacket shall have a baked powder coat finish. All internal surfaces of the heater(s) exposed to water shall be glass-lined with an alkaline borosilicate, nickelous oxide composition that has been fused to steel by firing at a temperature range of 1400°F to 1600°F. Heater(s) tank shall have a 3, 5, or 10 year limited warranty against corrosion as outlined in the written warranty. Professional start-up service to be included.

### SUGGESTED SPECIFICATIONS

#### TITAN™ LV POWER LOW NO<sub>x</sub> (MODELS TPX)

Water heater(s) shall be Model \_\_\_\_\_ as manufactured by State Water Heaters or an approved equal. Water heater(s) shall be of glass-lined design and include a powered gas burner with electronic flame safeguard, intermittent ignition, main and pilot automatic gas valves, redundant solenoid gas valve, gas pressure regulator, diaphragm air switch for proof of blower operation, and flame inspection port. Maximum supply gas pressure to heater 13" W.C. Heater(s) shall have an input rating of \_\_\_\_\_ and a recovery rating of \_\_\_\_\_ GPH at a temperature rise of 100°F with a minimum actual storage capacity of \_\_\_\_\_. Heater(s) shall be equipped with \_\_\_\_\_ NPT water inlet and outlet openings, (2) 3" handhole cleanouts, shall have an ASME working pressure of 160 psi, ASME stamped and listed by Underwriters Laboratories. The water heater shall be approved for low NO<sub>x</sub> and meet or exceed California rule 1146.2. The unit shall provide modulating fire for smooth system operation and precise temperature control. Controls shall include: high temperature limit control (manual reset), upper and lower thermostats, modulating control, combination temperature and pressure gauge, low water cutoff, ASME rated temperature relief valve, drain valve and draft regulator. Control compartment door shall be hinged for easy access. The heater(s) shall be equipped with multiple anodes for cathodic protection. The heater(s) shall be insulated with high-density foam insulation. Heater(s) must meet or exceed current ASHRAE/IES 90.1-1999 for recovery efficiency and standby loss. The outer jacket shall have a baked powder coat finish. All internal surfaces of the heater(s) exposed to water shall be glass-lined with an alkaline borosilicate, nickelous oxide composition that has been fused to steel by firing at a temperature range of 1400°F to 1600°F. Heater(s) tank shall have a 3, 5, or 10 year limited warranty against corrosion as outlined in the written warranty. Professional start-up service to be included.

### SUGGESTED SPECIFICATIONS

#### TITAN™ LV POWER OIL AND DUAL FUEL (MODELS TPO AND TPD)

Water heater(s) shall be Model \_\_\_\_\_ as manufactured by the State Water Heaters or an approved equal. Heater(s) shall have a minimum oil firing rate of \_\_\_\_\_ gallons per hour, an input rating of \_\_\_\_\_ BTU/HR. The heater(s) shall have a recovery rate of \_\_\_\_\_ GPH at a 100°F rise and a storage capacity of \_\_\_\_\_ gallons. The 160 psi design pressure tank shall be glass-lined with an alkaline borosilicate composition and fused to the steel by firing at 1600°F. The heater(s) shall be equipped with \_\_\_\_\_ NPT water inlet and outlet openings, (2) 3" handhole cleanouts, and carry a National Board stamping. The heater(s) shall be ASME and the entire unit listed by Underwriters Laboratories. Controls shall include: high temperature limit control (manual reset), upper and lower thermostats, combination temperature and pressure gauge, low water cutoff, ASME rated temperature and pressure relief valve, and barometric draft regulator. Control compartment door shall be hinged for easy access and include cam locks for security. The heater(s) shall be equipped with multiple anodes for cathodic protection. The heater(s) shall be insulated with high-density foam insulation and meet or exceed current standard of ASHRAE 90.1-1999 for standby loss and recovery efficiency. The heater(s) shall include a drain valve and flame observation port. The jacket shall be baked powder coat finish. Heater(s) vessel shall have a 3, 5 or 10 year limited warranty against failure as outlined in the written warranty.

The TPO models shall have a UL listed burner with two-stage pump, oil safety valve, electronic flame safeguard, intermittent ignition and diaphragm air switch for proof of flame operation.

The TPD models shall include a dual fuel burner with two-stage oil pump, oil safety valve, electronic flame safeguard, intermittent ignition, diaphragm air switch, main and pilot automatic gas valves, gas pressure regulator and manual crossover switch.

In keeping with our policy of continuous product improvement, specifications are subject to change without prior notice.