

User's Manual



Instructions before use:

Thank you for choosing our company's RGB controller. Before using this product, please read this manual carefully to ensure that fully understand the instructions correctly in order to avoid unnecessary damage.

After-sales service:

From the day you purchase our products within a year, if being used properly in accordance with the instruction, and quality problems occur, we provide free repair or replacement services except the following cases:

1. Any defects caused by wrong operations:
2. Any damages caused by unauthorized removal, maintenance, modifying circuit, incorrect connections and replacing chips.
3. Any damages due to transportation, breaking, flooding water after the purchase.
4. Any damages caused by earthquake, fire, flood, lightning strike etc force majored of natural disasters.
5. Any damages caused by negligence, inappropriate storing at high temperature and humidity environment or near harmful chemicals.
6. Product has been updated.

Safety instructions:

In order to ensure the integrity of the state and use of safe, please follow the instructions on this manual and remind:

1. Please avoid installation at the minefields, strong magnetic field and high-pressure region.
2. Make sure the wiring is correctly and securely, to avoid short-circuit damage components and trigger the fire accident.
3. Set the controller installed in a well-ventilated place, in order to ensure a suitable ambient temperature.
4. Before using this product, check the DC power supply meets the product requirements, the power of positive and negative whether the definition and product.
5. Don't wiring with power.
6. If a problem occurs, do not maintenance privately. If you have any questions, please contact the supplier.

Features:

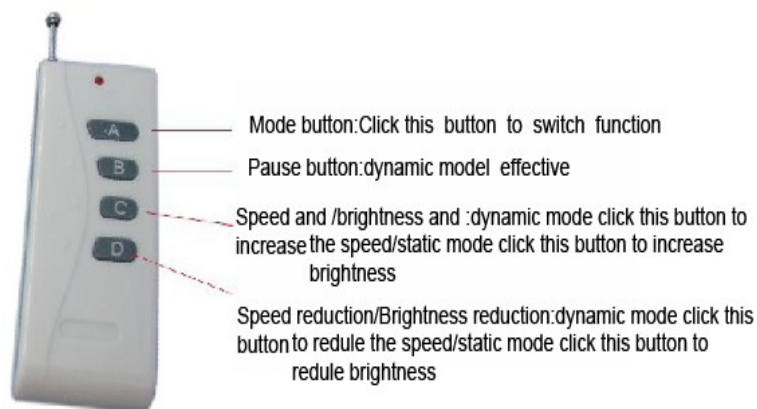
- RF and Membrane switch.
- 3-channel output, the maximum output current of 10A per channel
- High-speed microcontroller to process the data, no delay, no flicker
- 8 level brightness adjustment, 8 level speed adjustment, convenient and practical
- 29 built in modes to select
- DC5-24V input
- With power off memory

Technical parameters:

Input voltage	DC 5-24V
Signal output	RGB Three-channel signal
Maximum load current	10A/channel*3channels
Output power	360W max(12V) 720W max(24V)
Controller size	L82.4 * W91 * H25 mm
Package size	L84 * W93 * H27 mm
G.W.	232g

Remote control function:

The remote control use a 23A 12V battery. We do not supply batteries for transportation and other reasons.



Membrane switch function instructions



: Press this button to change mode

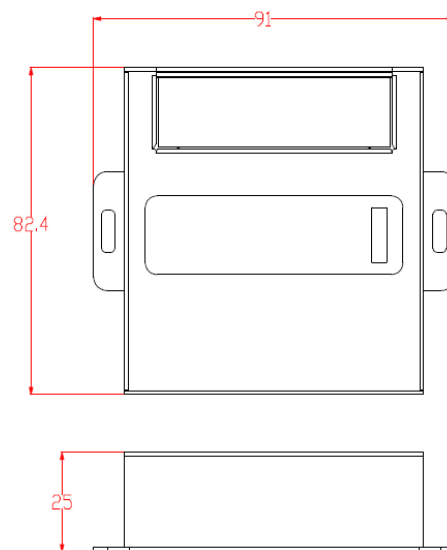


: In the static mode click the button to increase the brightness

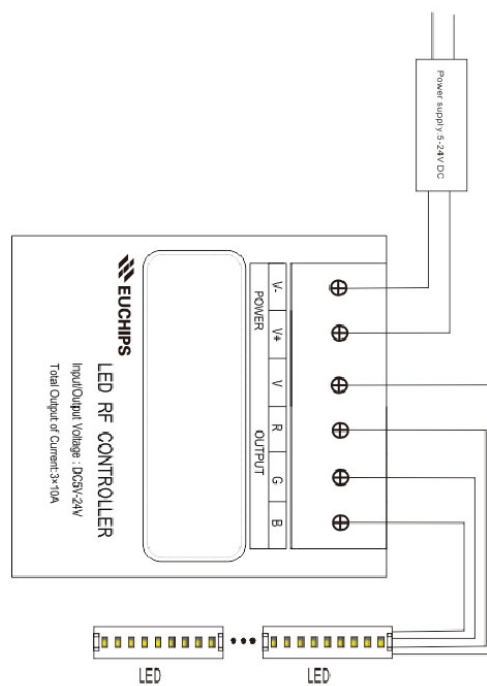


: In the dynamic mode click the button to reduce the brightness

Controller size (mm):



Connection diagram:



Function mode introduce :

Mode	Color change	Note	Mode	Color change	Note
1	Static red	Brightness adjustable	16	White stroboscopic	Speed adjustable
2	Static green	Brightness adjustable	17	Red ,green ,blue gradient	Speed adjustable
3	Static blue	Brightness adjustable	18	Full color gradient	Speed adjustable
4	Static yellow	Brightness adjustable	19	Red ,green gradient	Speed adjustable
5	Static purple	Brightness adjustable	20	Red ,blue gradient	Speed adjustable
6	Static blue	Brightness adjustable	21	Green ,blue gradient	Speed adjustable
7	Static white	Brightness adjustable	22	Red, blue ,green guttering	Speed adjustable
8	Three color jump	Speed adjustable	23	white guttering	Speed adjustable
9	Seven color jump	Speed adjustable	24	Red, green guttering	Speed adjustable
10	Red stroboscopic	Speed adjustable	25	Red, blue guttering	Speed adjustable
11	Green stroboscopic	Speed adjustable	26	Red, blue guttering	Speed adjustable
12	Blue stroboscopic	Speed adjustable	27	Red, guttering	Speed adjustable
13	Yellow stroboscopic	Speed adjustable	28	Green, guttering	Speed adjustable
14	Purple stroboscopic	Speed adjustable	29	Blue, guttering	Speed adjustable
15	Blue stroboscopic	Speed adjustable			

Failure analysis and solution:

Fault phenomenon	Cause analysis	Solution
Don't light	<ol style="list-style-type: none">1、 Switching power supply without power;2、 Positive and negative pick back ;3、 Pick the wrong line or unstable;4、 LED lamp bad;	<ol style="list-style-type: none">1、 Check the switching power;2、 Corrected;3、 Check the connection;4、 Change LED lamp;
LED brightness uneven	<ol style="list-style-type: none">1、 Output line too long a pressure drop;2、 Power load is too big;3、 Relay overload ;	<ol style="list-style-type: none">1、 Shorten the line or ring power supply;2、 Replace the power of the power supply;3、 Increase power expander;

Warm prompt: Switch power supply effective power is power supply 80% of the mark, so the user to select the power than the load power LED lights a little bigger, at least more than 20% .