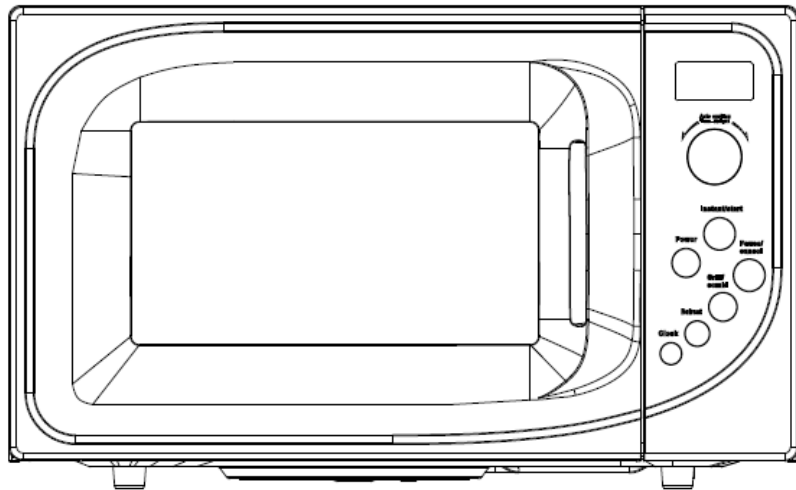




Microwave Oven

Model CE2277MO



INSTRUCTION MANUAL

PLEASE SAVE THESE INSTRUCTIONS



Dear Valued Customer

Thank you for purchasing a *CASCADE* appliance.

We understand the importance of your purchasing decision, and appreciate your final choice to introduce this *CASCADE* product into your home.

Your *CASCADE* appliance is recognised as a quality product at an affordable price, and is proudly supported by our after sales service team. We encourage you and your friends to choose from the range of *CASCADE* appliances available exclusively to The Warehouse.

TECHNICAL INFORMATION

Please make sure that your house installation voltage corresponds to the voltage marked on the unit.

Mains supply: 230-240V ~ 50 Hz – AC only

Rated Power: Input 1280 watts

Output 800 watts

Operating Frequency: 2450 MHz

Outside Dimensions: 47.5cm x 37cm x 28cm (WxDxH)

Oven Capacity: 22 liter

Turntable: 245mm

SERVICE HELPLINE

In the unlikely event of failure or for product information please contact the below help lines during normal working hours.

New Zealand call 0800-898580

Email: service@orientalpacific.com

Australia call Toll Free 1-800-858011



CONTENTS

Page 1	Welcome. Technical specifications. Service.
Page 2	Contents
Page 3	Before first use. Safety and installation
Page 4	Safety and installation.
Page 5	Safety and installation. Microwave cooking principles.
Page 6	Microwave cooking principles.
Page 7	Parts and Turntable guide.
Page 8	Control panel guide.
Page 9	Using the oven. Clock setting. Manual time and power setting.
Page 10	Setting Power level. Oven Delay Timer.
Page 11	Multi Level Cooking. Express Cooking.
Page 12	Auto Defrosting. Auto Cooking.
Page 13	Weight conversion. Child lock. Cooking tips.
Page 14	Cooking Tips. Utensils guide.
Page 15	Utensils Guide.
Page 16	Important safety instructions.
Page 17	Important safety instructions. Maintenance and cleaning.
Page 18	Maintenance and Cleaning.
Page 19	Warranty



BEFORE FIRST USE

Your *CASCADÉ* appliance has been packaged carefully to ensure the product reaches you in good condition. If the product has been damaged, dropped, has a malfunction in any way, or if the supply cord is damaged, immediately contact your retailer for replacement or repair.

Carefully unpack your *CASCADÉ* appliance. Make sure you do not discard any packaging material until all parts of the appliance have been found.

Carefully wipe the exterior of the appliance to remove any dust that may have accumulated. Dry with a dry towel. Do not use harsh abrasive cleaners. Remove any label or sticker.

WARNING! Do not immerse in water or any other liquids.

SAFETY AND INSTALLATION

❑ Microwave Exposure Safety

The following safety precautions must be taken to avoid possible exposure to excessive microwave energy before using this appliance.

Do not attempt to operate this oven with the door open. Do not tamper with the door safety interlocks.

Do not place any object between the oven face and the oven door or allow any build up of food or dirt between the sealing surfaces.

WARNING: If the door or door seals are damaged, the oven must not be operated until it has been repaired by a trained person.

WARNING: It is hazardous for anyone other than a trained person to carry out any service or repair operation that involves the removal of any cover that gives protection against exposure to microwave energy. Do not attempt to service this appliance yourself. Return to a suitably qualified service personnel for repair.

□ **Before Use**

Read all safety instructions carefully before using this microwave.

□ **Installation**

This oven must have sufficient airflow. Allow a space of 30cm above the oven, 7.5cm at the rear of the oven and 7.5cm at each side of the oven as a minimum.

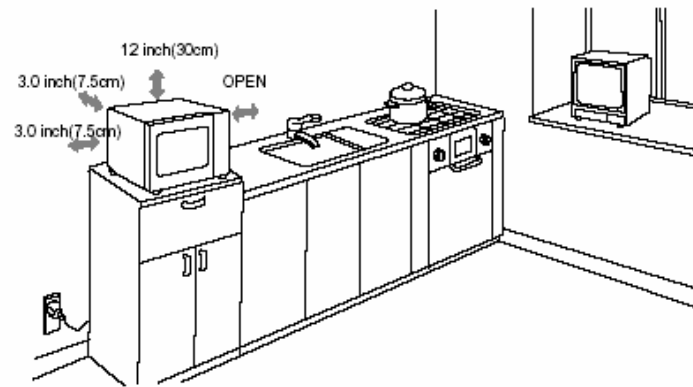
Place oven on a flat level surface with sufficient strength to hold its expected weight when in use, taking into account any food or dish used. Do not place any object on top of this appliance.

Do not operate the oven near any other heat source, near moisture or high humidity or combustible materials.

This appliance is for indoor household use only. It should not be used outdoors or for commercial or industrial use.

CAUTION! This appliance must be connected to a suitable 230-240 V AC **earthed** supply socket. It is recommended that you do not use any other appliances on the same power circuit.

WARNING! Do not operate the microwave oven without the turntable and guide roller in place.



MICROWAVE COOKING AND SAFETY PRINCIPLES

Always arrange the food carefully and evenly. Place the thickest areas of the food towards the outside of the oven if possible.

Always cook for a shorter time if you are unsure and then add more if required. Severely overcooked food may smoke or ignite.

Always cover the food to ensure even cooking and to avoid splattering.

Turn foods over once when cooking such items as chicken, roasts or large food quantities. Rearrange foods during the cooking process, placing items from the centre to the outside, reversing from the outside to the centre to improve cooking time and evenness.

Remove twist-ties from any bag.

Pierce foods with heavy skins such as potatoes. Eggs in their shell and whole hard-boiled eggs shall not be heated in microwave ovens since they may explode, even after microwave heating has finished.

Utensils should be checked to ensure that they are suitable for use in microwave ovens. Utensils may become hot because of the heat transferred from the heated food. Use an oven cloth to remove.

When heating food in plastic or paper containers, check the oven frequently due to the possibility of ignition.

Microwave heating of beverages can result in delayed eruptive boiling. Therefore care has to be taken when handling the container.

The contents of feeding bottles and baby food jars are to be stirred or shaken and the temperature is to be checked before consumption, in order to avoid burns.

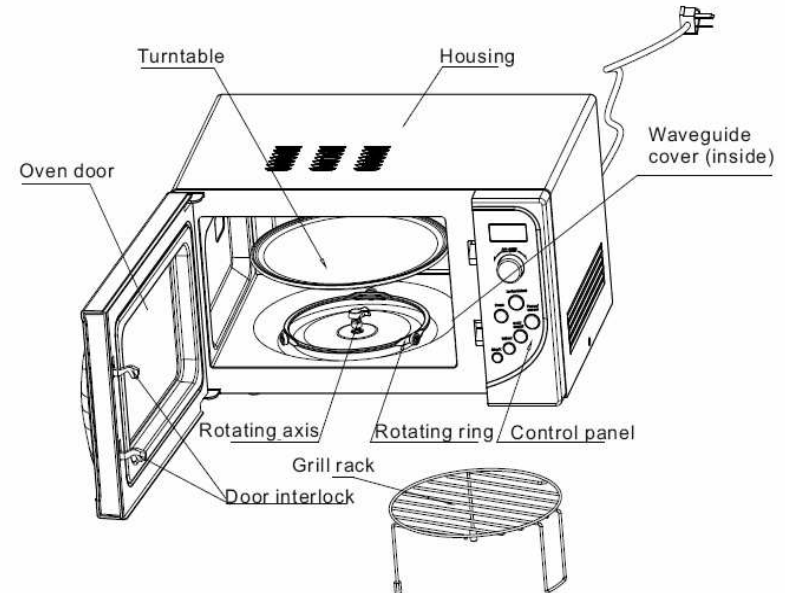
WARNING: Liquids or other foods must not be heated in sealed containers since they are liable to explode.

Do not use any metal utensils, trays or cooking dishes. Do not use recycled paper. Round or oval dishes are better than square or oblong dishes.

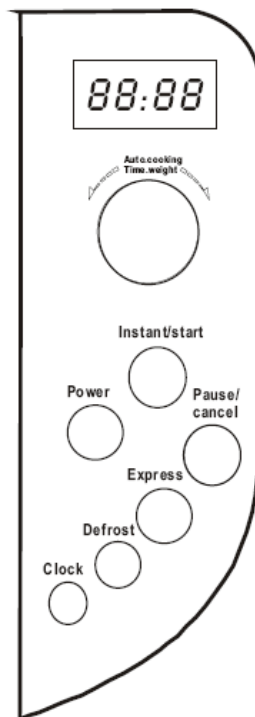
WARNING: DO NOT OPERATE THE OVEN WHEN EMPTY.

PARTS AND TURNTABLE GUIDE

Do not throw away any packaging until all parts of the appliance are found.



CONTROL PANEL GUIDE



❑ **Control Panel Description**

Refer full instructions for detailed information.

Power. Used to set the 'Power' cooking level.

Express. Used to quickly heat any item to 3 pre-set levels.

Defrost. Pre-set to defrost at 3 levels by weight.

Clock. Use to set the time and or cooking time.

Pause/Cancel. Use to pause or stop any program.

Instant Start. Start button. Use also to quick start on high at 1 minute on high.

Auto Cooking/Time/Weight. Use to set auto cooking, adjust time or alter weight settings.

Door Open button. Use to open the oven door.

USING THE OVEN

❑ **Clock Setting**

When first connected to the power supply, the display will flash ":". The current time must be set. To set time:

- Touch **CLOCK** pad. The hour display will flash.
- Turn the 'Auto cooking' knob to set the hour.
- Touch **CLOCK** pad.
- Turn the 'Auto cooking' knob to set the minutes.
- Touch the **CLOCK** button to confirm time. Note. This clock is a 24hour clock.

❑ **Manually setting the Time and Power Settings**

To set the time and power level manually:

- Press the **POWER** button to select power level and then turn the 'Auto cooking' knob to the desired time setting. Press **INSTANT START** to commence cooking.

At completion microwave will emit six short 'Beep' sounds and 'END' will show. To finish press **PAUSE/CANCEL** button to return to the current time.

❑ **Setting the Power Level**

To alter power level, press the **POWER** pad once or more times as detailed below. This oven has 5 pre-set power level settings. The following guide indicates the power levels available in this oven.

- Press once for HIGH - 100% power level.
- Press twice for MED HIGH - 80% power level.
- Press 3 times for MED - 60 %power level.
- Press 4 times for MED LOW - 40% power level
- Press 5 times for LOW - 20% power level.

❑ **Setting the Oven Delay Timer**

The oven can be timed to commence cooking at a later time. To set the oven delay firstly you must set the normal time as indicated previously under 'Clock Setting'. Then you must set the delayed power level and cooking time.

For example to set cooking delay

- Set the current time first.
- Press **POWER** button to select the desired power level.
- Turn the **AUTO COOK** knob to select the cooking time.
- Press **CLOCK** button and hold for 3 seconds.
- Set the desired delayed start time as if you were setting the clock time normally.
- Press the **CLOCK** button to confirm delay cooking. Oven display will return to normal clock setting. At the preset time cooking will commence.
- Press **PAUSE/CANCEL** when completed.

Note. Delayed cooking is not programmable for DEFROST or EXPRESS cooking settings.

❑ **Multi Level Cooking**

You can program the microwave to cook at different stages with different power and settings. For example to cook on **HIGH** for **three minutes** then **LOW** for **one minute** follow these steps.

- Press **POWER** button once to show 'H'
- Adjust **AUTO COOK** knob to set 3:00 minutes.
- Press **POWER** button again and select 'L'
- Adjust **AUTO COOK** knob to set 1:00 minutes.
- Press **INSTANT START** button to commence.

Microwave oven will cook for 3 minutes on high before automatically cooking for 1 minute on low. At the end of cooking cycle **END** will display. Press **PAUSE/CANCEL** to end program.

❑ **Express Cooking**

To quickly heat commonly used ingredients or liquids use the preset **EXPRESS** button. Simply press **EXPRESS** button once, twice or three times and then **INSTANT START** to commence. The microwave is set to operate for 30seconds, 1 minute or 1 minute and 30 seconds intervals on high depending the number of times **EXPRESS** button is pressed.

For example to cook for 1 minute on HIGH;

- Press **EXPRESS** button twice.
- Press **INSTANT START** button to commence.

❑ Auto Defrosting

The microwave has 3 preset defrost levels as indicated below. Press the defrost button once, twice or three times to select and then set the weight using the **AUTO COOKING** knob.

d1 For defrosting meat. Weight range 0.1kg to 2.0kg.

d2 For defrosting poultry. Weight range 0.2kg to 3kg.

D3 For defrosting seafood. Weight range 0.1kg to 0.9kg.

For example to defrost 1kg of meat;

- Press **DEFROST** button once.
- Turn **AUTO COOK** knob to 1.0kg.
- Press **INSTANT START** button to commence.

Microwave will operate on DEFROST power level for 26 minutes and 27 seconds.

Note. It is necessary to turn food over during DEFROST program

❑ Auto Cooking

The microwave memory has 8 preset **AUTO COOKING** time settings on HIGH. To operate simply rotate the **AUTO COOKING** knob to the desired setting and press **INSTANT START**. Below are the preset cooking times.

A1: 2 minutes 30 seconds.

A2: 2 minutes 40 seconds.

A3: 1 minute.

A4: 2 minutes 20 seconds.

A5: 4 minutes 40 seconds.

A6: 7 minutes 12 seconds.

A7: 10 minutes 12 seconds.

A8: 6 minutes 30 seconds.

❑ Weight Conversion Guide

1 kilogram = 2.20lbs

1 kilogram = 1000 grams

1 ounce = 28 grams

1 lb = 16 ounces

❑ Setting SAFETY LOCK

The safety lock prevents unsupervised operation by young children. To set, press and hold PAUSE CANCEL pad for 3 seconds. LOCK indicator lights and microwave cannot be used. To cancel, press and hold PAUSE CANCEL pad for 3 seconds.

❑ To Stop Oven at any Time

To pause the cooking process at any time simply touch **STOP** pad once. To cancel program and return to the current time press **STOP** pad a second time.

COOKING TIPS

Listed here are some simple cooking guides to making microwave cooking simpler.

Stirring

Stir foods such as casseroles occasionally during the cooking process. Food at the outside of the dish will cook quicker than that in the center.

Arrangement

Arrange foods with the thickest parts to the outside of the center point. Place delicate portions toward the center of the oven.



Shielding

Shield delicate portions such as chicken wing tips by placing a small amount of aluminum foil. Do not use in excessive amounts as this may damage the oven.

Standing

Food cooked in the microwave can build up internal heat when removed from the oven. Always allow a period of 1 -2 minutes before eating.

WARNING! NEVER OPERATE THE OVEN EMPTY.

UTENSILS GUIDE

Recommended

Microwave Browning Dish.

Used for browning the exterior of meats. Follow individual instructions of the browning dish.

Microwavable Plastic Wrap

Use to retain steam and stop foods from splattering throughout the oven. Leave a small hole in wrapping.

Paper Towels

Short term cooking. Use to absorb splattering and excess liquids. Do not use recycled paper towels that may contain metal and ignite.

Glass and Glass Ceramic Bowls and Dishes

For all general cooking use.

Paper Plates and Cups

Use for only short term cooking at low temperatures.



Limited Use

Aluminum Foil

Use narrow strips only to prevent overcooking of exposed areas (I.E Chicken Wings). **WARNING.** Use only in limited amounts. Keep away from the outer walls of the oven.

Ceramic, Porcelain and Stoneware.

Use only if labeled 'Microwave Safe'.

Plastic.

Use only if labeled 'Microwave Safe'. Other plastics may melt.

Do Not Use

Glass jars and bottles - regular glass is too thin and may shatter causing damage or injury.

Paper Bags - they can create a fire hazard and may ignite.

Polystyrene type cups and plates - they may melt.

Metal objects or utensils - these will damage the oven. The warranty will become void if used in this microwave.

Utensil Test

To test a dish to confirm its suitability, follow these simple steps.

Place the empty dish in the microwave and microwave on HIGH for 30 seconds. A dish that becomes very hot should not be used.

WARNING! IF IN DOUBT DO NOT USE THE DISH

IMPORTANT SAFETY INSTRUCTIONS

When using electric appliances always observe safety regulations where applicable to reduce the risk of fire, electric shock and personal injury. Always check that the power supply corresponds to the voltage on the rating plate.

Supply

This appliance must be connected to a suitable 230-240V ~ 50Hz power supply. If using an extension cord, ensure that the extension cord is of a suitable 10amp power rating. Fully unwind the supply cord when in use as a coiled cord may overheat. It is not recommended to use other appliances on the same circuit as that supplying this oven.

Supply cord and plug

Do not abuse or damage the power cord. Fully uncoil before use. If the supply cord is damaged, it must be replaced by the manufacturer or its service agent or a similarly qualified person in order to avoid a hazard.

Children

Caution. Keep out of reach of children. This appliance is not intended for use by young children or infirm persons. Young children must be supervised to ensure that they do not play with the appliance. **WARNING:** Only allow children to use the oven without supervision when adequate instructions have been given so that the child is able to use the oven in a safe way and understands the hazards of improper use.

Use and environment

Do not use outdoors. Do not leave in direct sunlight as this may damage the plastic. This appliance is for household use only, not commercial or industrial use. The power socket must be readily accessible so that the oven can be unplugged in an emergency.

Fire risk

If smoke is observed, switch off the appliance and keep the door closed in order to stifle any flames.

Damaged or dropped

Always inspect your appliance before use. Do not use this appliance if it has been damaged, dropped, left outdoors or dropped in water. Do not use if the door seals or door are damaged in any way. Return it to an authorised service dealer for examination and repair.

Water

Do not immerse in water or other liquids or use near washbasins or sinks. Ensure that the appliance does not get wet (water splashes etc.) and do not use it with wet hands.

Danger to children

Safely dispose of plastic bags and other components of the packaging. They may be potentially dangerous to children.

MAINTENANCE AND CLEANING

Regular maintenance of your appliance will keep it safe and in proper operational order.

When not in use or before cleaning, always disconnect the appliance from the mains supply.

Cleaning

Regularly clean the outside of the appliance with a soft damp cloth and dry it with a dry towel. Do not immerse in water. Do not use harsh solvents to clean the plastic. Wash the turntable and roller ring in hot soapy water regularly. Remove any food deposits from the oven. Wipe the door and seal areas to remove any soil build up. **WARNING:** Ensure the air vents are free from obstruction at all times.



Failure to maintain the oven in a clean state could lead to deterioration of the surface that could adversely affect the life of the appliance and possibly result in a hazardous situation.

Odor removal

Combine a cup of water with the juice and skin from one lemon in a deep microwavable bowl, microwave on high for 5 minutes. Wipe the inside thoroughly with a dry towel.

Damage check

Always check that the appliance is in good working order. Check the power supply cord and plug regularly for cuts or damage. Do not use if the door seals are damaged in any way.

Service

Do not attempt to service this appliance. If it is faulty in any way, contact the help line or return it to the retailer immediately.

Warranty Card

This product is guaranteed against faulty materials and workmanship for a period of two years from the date of purchase with proof of purchase. The obligation to the purchaser under this warranty is limited to servicing the unit and replacing defective parts or refund when the product is returned freight prepaid to the retailer with proof of purchase. This warranty becomes void if the product has been tampered with, damaged by accident, damaged in any other way by improper use or has been purchased second hand. All production orders have quality inspections. In the unlikely event of a deficiency, please contact the retailer from which this product was purchased.

WARRANTY FOR APPLIANCES USED COMMERCIALY LIMITED TO 90 DAYS

Type of Appliance: _____

Model No.: _____ Purchase Date: _____

Product Purchased From: _____

Your Name: _____

Address: _____

_____ Phone Number: _____

IMPORTANT!

Please retain this warranty card along with your purchase receipt. Please do not post to the retailer. If service or a warranty claim is required, both of these documents are to be returned with the appliance to your retailer, otherwise a fee may be charged or warranty declined. For technical help contact the helpline.

Technical Assistance Helpline

New Zealand call Toll Free 0800-898580

Australia call Toll Free 1-800-858011

Email service@orientalpacific.com