



Scholtès

INSTALLATION & USER MANUAL

Scholtès Gas Domino Built-in Hob

ENG

Index

Important Safety Instruction, 1-2

Instructions for Use, 3

Usage

Maintenance

Instructions for Installer, 4-5

Installation

Positioning

Gas connection

Electrical connection

Specification, 6

Trouble Shooting, 7

THIS APPLIANCE IS CONCEIVED FOR DOMESTIC USE ONLY. THE MANUFACTURER SHALL NOT IN ANY WAY BE HELD RESPONSIBLE FOR WHATEVER INJURIES OR DAMAGES ARE CAUSED BY INCORRECT INSTALLATION OR BY UNSUITABLE, WRONG OR ABSURD USE.

Dear customer,

We thank you and congratulate you on your choice. This new carefully de-signed product, manufactured with the highest quality materials, has been carefully tested to satisfy all your cooking demands. We would therefore request you to read and follow these easy instructions which will allow you to obtain excellent results right from the start. May we wish you all the very best with your modern appliance!

THE MANUFACTURER

MGN 31 HK

MGN 321 HK



Scholtès

Applicable to Hong Kong Region

Important Safety Instruction

ENG

The following instructions are very important to safety operation of gas hob. Please read through them carefully. For customer services and enquiry, please call Scholtès Customer Services Hotline at 2232 1232.

Installation

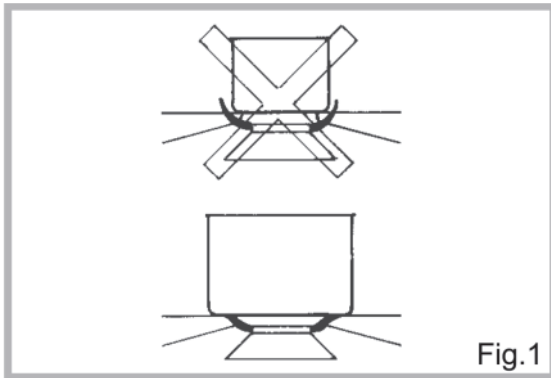
1. According to the Hong Kong Gas Safety Regulations, any gas installation works including the installation of appliances and connection tubing, must be undertaken by registered gas installers who are registered for that appropriate class and be employed by registered gas contractor.
2. Use approved gas tubing bearing EMSD approval marking (such as : 機電工程署批准 EMSD APPROVAL GTXXXX) for connection to appliances, or other appropriate methods accepted by EMSD.
3. Fix the accompanied gas governor (ELITRE, EL-125). Ensure that the pressure setting is 1kPa.
4. Check that there is provision for ventilation at the stove cabinet to ensure proper operation of the gas hob. Flame stability may be affected by air draught of opening cabinet door.
5. Install the gas hob in a well-ventilated room and keep it away from any combustible or inflammable objects such as paper or oil.
6. Place the gas hob on a stable and level bench top.
7. The gas hob should be installed with a distance of more than 15cm away from surrounding combustible materials.

8. If another built-in appliance (e.g. dishwasher, washer, etc) is to be installed under the gas hob, keep a clearance of at least 15mm from the bottom of the gas hob. If the installation instruction of the appliance underneath requires a different distance, adopt the larger value.
9. Allow 650mm clearance above gas hob.

Operation

1. In case of suspected gas leak, open windows and shut off main gas valve. Do not operate any electric appliances or switches. Do not use any phones on site. **Contact Towngas Emergency Hotline at 2880 6999 with a phone outside the premises.**
2. Do not store any flammable materials, sprays or pressurized containers inside the stove cabinet.
3. Do not use gas hob for any purposes other than cooking, e.g. drying clothes.
4. Do not add aluminum discs to burner heads. This will incur combustion problem.
5. Open windows and turn on ventilation system before operating gas hob.
6. Do not press the knob more than 15 seconds. If the burner is not ignited after 15 seconds, open the door of the room and wait at least one minute before making a further attempt.
7. Do not leave operating gas hob unattended or leave any empty pots or pans on the fire.
8. Do not use any tools for grill-cooking on the hobs.
9. When gas hob is not used for a long time, it is a good practice to close the appliance isolation gas valve.
10. Glass top plate is fixed. Do not remove it.
11. Not to be used by children alone.
12. Pan support is heavy. Do not drop it.

13. We recommend the use of pots and pans with a diameter matching that of the burner, thus preventing the flame from escaping from the bottom part and surrounding the pot. (Fig. 1)



14. Heed high temperature of top-plate, burners and pan supports.
15. Do not fill water including soup ingredients over two-thirds of utensil volume when boiling water or soup. Spilled liquid of boiling will affect combustion and damage the gas hob.
16. The panel of this gas hob is made of tempered glass which is safer than normal glass for this application. The following safety precautions should also be noted in order to prevent the glass top panel from breakage:
- i. Check condition of flame and burner heads frequently. Ensure that the flame is normal and burner heads are not tilted or deformed.
 - ii. Clean the burner head frequently to maintain its cleanliness. Clean and dry the burner head after spillage of food and liquid once it cools down.
 - iii. Turn off the burner immediately when abnormal noise is heard. Restart burner and check whether the problem persists. If yes, stop using it and call Scholtès Customer Services Hotline for service.

- iv. Dry burner heads completely with dry cloth after washing. Burner flame holes must be free from water lest combustion is affected.
 - v. Do not put total weight exceeding 10kg on the gas hob.
 - vi. Do not impact the glass surface with hard objects or place heavy objects on it.
 - vii. Do not use oversized utensils for cooking.
17. Ensure the stability of cooking utensil resting on pan support. Hold utensil firmly if it slips easily.

Maintenance

1. Check condition of flexible gas hose regularly. Ensure that it is free from kink or crack. Contact Scholtès Customer Services Hotline to replace it if damage is found.
2. Allow gas hob to cool down completely before cleaning.
3. Do not touch any internal parts of the gas hob.
4. Use soft brush and mild detergent to clean burner heads.
5. In case that stain gets stuck at safety sensor or spark electrode, remove it with soft brush.

Instructions For Use

ENG

Usage – Gas burners

MGN 31 HK : This model allows synchronized control of double ring and independent control of inner ring.

Control of Double Ring — Press and rotate the knob anti-clockwise to the maximum position. Turn the knob to adjust flame power according to cooking needs. The minimum position is found at the end of the anti-clockwise rotation direction.

Control of Inner Ring — Press and rotate the knob clockwise to the maximum position. Turn the knob to adjust flame power according to cooking needs. The minimum position is found at the end of the clockwise rotation direction.

The electric spark from ignition electrode ignites the burner. After ignition, keeping the knob fully pressed on the maximum position for approximately 5 seconds. After releasing the knob, make sure the flame persists.

N.B. – Turn the knob slowly when adjusting the flame.

MGN 321 HK : Press and rotate the knob in anti-clockwise to maximum position. Turn the knob to adjust flame power according to cooking needs. The minimum position is found at the end of the anti-clockwise rotation direction.

The electric spark from ignition electrode ignites the burner. After ignition, keeping the knob fully pressed on the maximum position for approximately 5 seconds. After releasing the knob, make sure the flame persists.

Maintenance

Allow the appliance to cool down before performing any maintenance and cleaning.

Prior to any cleaning and maintenance operation, disconnect the appliance from the power supply. For long-life to the equipment, a general cleaning must be carried out periodically, bearing in mind the following:

- the glass, metal and enameled parts must be cleaned with suitable non-abrasive or non-corrosive products. Avoid chlorine-base products (bleach, etc.);
- avoid leaving acid or alkaline substances on the gas hob (vinegar, salt, lemon juice, etc.);
- the burner heads (detachable parts of the burner) must be washed frequently with warm water and detergent, taking care to remove any grime. Dry carefully and check that none of the burner holes is clogged.

DO NOT USE STEAM CLEANERS

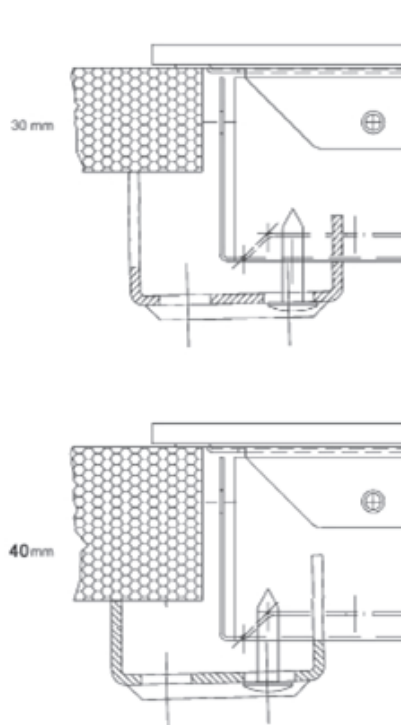
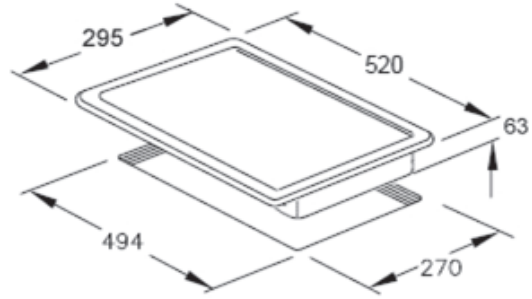
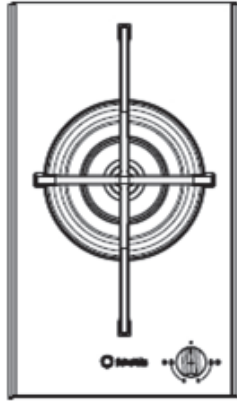
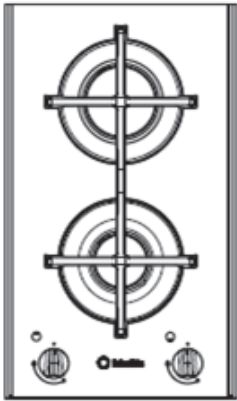
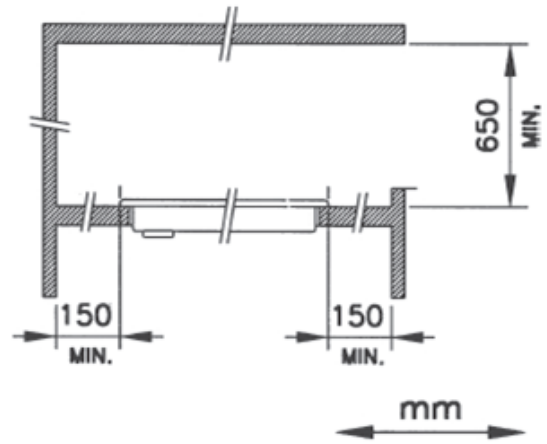
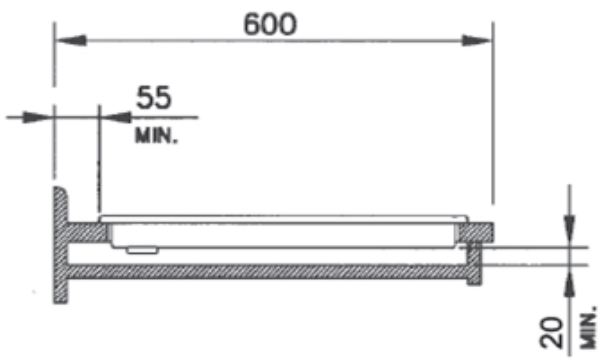


Fig.2



mm

Instructions For Installer

ENG

Installation

This appliance is not provided with flue gas discharge. It is recommended that it is installed in sufficiently aerated places. The quantity of air which is necessary for combustion must not be below 2.0 m³/h for each kW of installed power.

Positioning (Fig. 2)

The appliance can be fitted into a working area as illustrated on the corresponding figure. Before positioning the hob, fit the seal mastic around the entire periphery of the hole cut in the worktop. Keep a clearance from the surrounding boundaries or objects for the gas hob according to fig. 2 . The appliance should be fixed by mounting brackets.

If another built-in appliance (e.g. dishwasher, washer, etc.) is to be installed under the gas hob, keep a clearance of at least 20mm from the bottom of the gas hob. If the installation of the appliance underneath requires a different distance, adopt the larger value.

Gas connection

Connect the appliance to the gas supply according to the prescribed standards in force, and ensure, that the appliance matches with the type of gas supply. Furthermore, check that the supply pressure is within 1.5 kPa and governor pressure is 1.0 kPa.

N.B. – Connecting a flexible stainless steel pipe to a threaded end

The gas supply pipe connection of the hob is a ½ threaded male end.

The flexible pipe must not be longer than 2000 mm when fully extended. Once connection has been carried out, make sure that the flexible metal pipe does not touch any moving parts and is not compressed.

N.B. – Checking the tightness of the connection

When the installation has been carried out, check the gas soundness of appliance and piping by equipment. Never use naked flame.

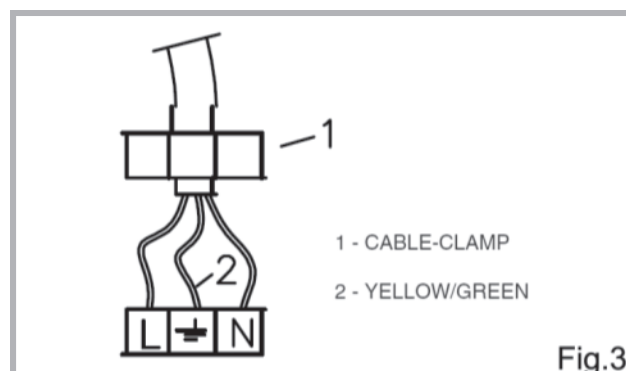
Electrical connection (Fig. 3)

Prior to carrying out the electrical connection, please ensure that:

- the power supply follow what is indicated on the badge label placed at the bottom of the base tray;
- the appliance is fitted with an efficient earth connection, following the standards and law provisions in force. The earth connection is compulsory in terms of the law.

Under no circumstances should the cable reach a temperature above 50°C of the ambient temperature. If connecting directly to the mains power supply, fit a multi-pole switch of a suitable size for the rated capacity which completely disconnects the power line under overload conditions, in conformance with code (the yellow/green earth wire must not be interrupted). The plug or switch must be easily reached on the installed appliance.

If the power cable becomes damaged, it must only be replaced by a qualified technician.



Specification

Model	MGN 31 HK	MGN 321 HK
Gas Type	TOWN GAS (G110)	
Heat Input	4.0 kW	3.0 kW (upper burner) 2.0 kW (lower burner)
Gas Supply Pressure	1.5 kPa	
Governor Outlet Pressure	1.0 kPa	
Gas Inlet Connection	1/2" B.S.P (Male)	
Dimensions	Height	116 mm (from bottom to pan support) 71 mm (from bottom to top plate)
	Width	295 mm
	Depth	520 mm
	Top plate thickness	8 mm
	Base tray height	63 mm
Cut-out Dimensions	Width	270 mm
	Depth	494 mm
Weight	5.5 kg	6.0 kg
Power Supply	220-240V AC (50 Hz)	

Trouble Shooting

ENG

Fault	Cause	Remedy
No ignition	<ol style="list-style-type: none"> 1. Spark electrode is wet especially in seasons of high humidity. 2. Power is off. 	<ol style="list-style-type: none"> 1. Dry the electrode with tissue or dry cloth. 2. Turn on power.
Flame cannot be held	Control knob is not fully pressed.	Fully press and turn the gas control knob to maximum position. Hold for a few seconds after flame is ignited.
No main flame	Gas meter valve and/or appliance isolation valve is turned off.	Open gas meter valve and/or appliance isolation valve completely.
	Burner head is blocked by aluminum disc.	Remove aluminum disc.
Yellow flame	Accumulated grease, cooking spillage and dirt on burner head.	Wash burner head in warm water with detergent. Dry it and place it back at correct position.
Unstable flame	1. Deformation of burner heads.	1. Contact Scholtès Customer Services Hotline to replace the parts.
Abnormal noise	2. Incorrect placement of burner head.	2. Refit burner head into burner base. Ensure that it is not tilted.

If not effective after remedial actions, please call Scholtès Customer Services Hotline at 2232 1232.

We reserve the right to make on our own products those changes to be considered necessary or useful, without jeopardizing the essential characteristics.

Scholtès
Gas Domino Built-in Hob
MGN 31 HK / MGN 321 HK