



## CONTENTS

1. SAFETY INFORMATION.....	3
2. SAFETY INSTRUCTIONS.....	4
3. OPERATION.....	5
4. DAILY USE.....	8
5. HINTS AND TIPS.....	10
6. CARE AND CLEANING.....	11
7. TROUBLESHOOTING.....	12
8. INSTALLATION.....	15
9. NOISES.....	17
10. TECHNICAL INFORMATION.....	18

## FOR PERFECT RESULTS

Thank you for choosing this AEG product. We have created it to give you impeccable performance for many years, with innovative technologies that help make life simpler features you might not find on ordinary appliances. Please spend a few minutes reading to get the very best from it.

Visit our website for:



Get usage advice, brochures, trouble shooter, service information:  
**[www.aeg.com](http://www.aeg.com)**



Register your product for better service:  
**[www.registeraeg.com](http://www.registeraeg.com)**



Buy Accessories, Consumables and Original spare parts for your appliance:  
**[www.aeg.com/shop](http://www.aeg.com/shop)**

## CUSTOMER CARE AND SERVICE

Always use original spare parts.

When contacting our Authorised Service Centre, ensure that you have the following data available: Model, PNC, Serial Number.

The information can be found on the rating plate.



Warning / Caution-Safety information



General information and tips



Environmental information

Subject to change without notice.

# 1. ⚠ SAFETY INFORMATION

Before the installation and use of the appliance, carefully read the supplied instructions. The manufacturer is not responsible if an incorrect installation and use causes injuries and damages. Always keep the instructions with the appliance for future reference.

## 1.1 Children and vulnerable people safety

- This appliance can be used by children aged from 8 years and above and persons with reduced physical, sensory or mental capabilities or lack of experience and knowledge if they have been given supervision or instruction concerning use of the appliance in a safe way and understand the hazards involved.
- Do not let children play with the appliance.
- Cleaning and user maintenance shall not be made by children without supervision.
- Keep all packaging away from children.

## 1.2 General Safety

- This appliance is intended to be used in household and similar applications such as:
  - Farm houses; staff kitchen areas in shops, offices and other working environments
  - By clients in hotels, motels, bed and breakfast and other residential type environments
- Use this appliance for storage of wine only.
- Keep ventilation openings, in the appliance enclosure or in the built-in structure, clear of obstruction.
- Do not use mechanical devices or other means to accelerate the defrosting process, other than those recommended by the manufacturer.
- Do not damage the refrigerant circuit.
- Do not use electrical appliances inside the food storage compartments of the appliance, unless they are of the type recommended by the manufacturer.

- Do not use water spray and steam to clean the appliance.
- Clean the appliance with a moist soft cloth. Only use neutral detergents. Do not use abrasive products, abrasive cleaning pads, solvents or metal objects.
- Do not store explosive substances such as aerosol cans with a flammable propellant in this appliance.
- If the supply cord is damaged, it must be replaced by the manufacturer, its service agent or similarly qualified persons in order to avoid a hazard.

## 2. SAFETY INSTRUCTIONS

### 2.1 Installation



#### **WARNING!**

Only a qualified person must install this appliance.

- Remove all the packaging.
- Do not install or use a damaged appliance.
- Obey the installation instruction supplied with the appliance.
- Always be careful when you move the appliance because it is heavy. Always wear safety gloves.
- Make sure the air can circulate around the appliance.
- Wait at least 4 hours before connecting the appliance to the power supply. This is to allow the oil to flow back in the compressor.
- Do not install the appliance close to radiators or cookers, oven or hobs.
- The rear of the appliance must stand against the wall.
- Do not install the appliance where there is direct sunlight.
- Do not install this appliance in areas that are too humid or too colds, such as the construction appendices, garages or wine cellars.
- When you move the appliance, lift it by the front edge to avoid scratching the floor.

### 2.2 Electrical connection



#### **WARNING!**

Risk of fire and electrical shock.

- The appliance must be earthed.
- Make sure that the electrical information on the rating plate agrees with the power supply. If not contact an electrician.
- Always use a correctly installed shockproof socket.
- Do not use multi-plug adapters and extension cables.
- Make sure not to cause damage to the electrical components (e.g. mains plug, mains cable, compressor). Contact the Service or an electrician to change the electrical components.
- The mains cable must stay below the level of the mains plug.
- Connect the mains plug to the mains socket only at the end of the installation. Make sure that there is access to the mains plug after the installation.
- Do not pull the mains cable to disconnect the appliance. Always pull the mains plug.

### 2.3 Use



#### **WARNING!**

Risk of injury, burns, electrical shock or fire.

- Do not change the specification of this appliance.
- Do not put electrical appliances (e.g. ice cream makers) in the appliance unless they are stated applicable by the manufacturer.
- Be careful not to cause damage to the refrigerant circuit. It contains isobutane (R600a), a natural gas with a high level of environmental compatibility. This gas is flammable.
- If damage occurs to the refrigerant circuit, make sure that there are no flames and sources of ignition in the room. Ventilate the room.
- Do not let hot items to touch the plastic parts of the appliance.
- Do not put soft drinks in the freezer compartment. This will create pressure on the drink container.
- Do not store flammable gas and liquid in the appliance.
- Do not put flammable products or items that are wet with flammable products in, near or on the appliance.
- Do not touch the compressor or the condenser. They are hot.
- Do not remove or touch items from the freezer compartment if your hands are wet or damp.
- Do not freeze again food that has been thawed.
- Obey the storage instructions on the packaging of frozen food.
- Before maintenance, deactivate the appliance and disconnect the mains plug from the mains socket.
- This appliance contains hydrocarbons in the cooling unit. Only a qualified person must do the maintenance and the recharging of the unit.
- Regularly examine the drain of the appliance and if necessary, clean it. If the drain is blocked, defrosted water collects in the bottom of the appliance.

## 2.5 Disposal



### WARNING!

Risk of injury or suffocation.

- Disconnect the appliance from the mains supply.
- Cut off the mains cable and discard it.
- Remove the door to prevent children and pets to be closed inside of the appliance.
- The refrigerant circuit and the insulation materials of this appliance are ozone-friendly.
- The insulation foam contains flammable gas. Contact your municipal authority for information on how to discard the appliance correctly.
- Do not cause damage to the part of the cooling unit that is near the heat exchanger.

## 2.4 Care and cleaning

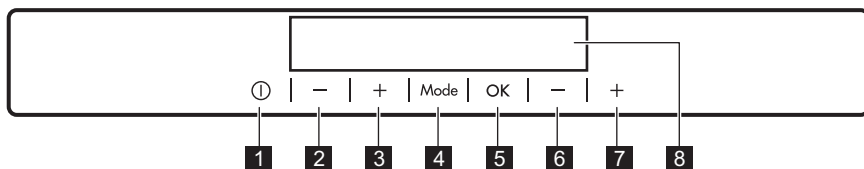


### WARNING!

Risk of injury or damage to the appliance.

# 3. OPERATION

## 3.1 Control Panel

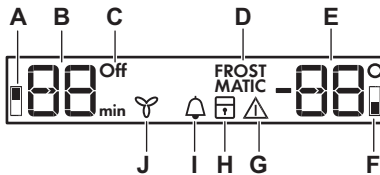


- 1** Appliance ON/OFF button

- 2 Wine cooler temperature colder button
- 3 Wine cooler temperature warmer button
- 4 Mode button
- 5 OK button
- 6 Freezer temperature colder button
- 7 Freezer temperature warmer button
- 8 Display

It is possible to change predefined sound of buttons by pressing together Mode button and Temperature colder button for some seconds.

### 3.2 Display



- A) Wine cooler compartment indicator
- B) Wine cooler temperature indicator and timer indicator
- C) Wine cooler off indicator
- D) FROSTMATIC function
- E) Freezer temperature indicator
- F) Freezer compartment indicator
- G) Alarm indicator
- H) ChildLock function
- I) MinuteMinder function
- J) DYNAMICAIR function

### 3.3 Switching on

1. Connect the mains plug to the power socket.
2. Press the appliance ON/OFF if the display is off.

The alarm buzzer could operate after few seconds.

The temperature indicators show the set default temperature.

To reset the alarm refer to "High temperature alarm".

To select a different set temperature refer to "Temperature regulation".

If "dEMo" appears on the display, refer to "What to do if..." chapter.



If the door remains open for some minutes, the light will turn off automatically. The light is reset by closing and opening the door itself.

### 3.4 Switching off

1. Press the appliance ON/OFF button for 5 seconds.

The display switches off.

2. Disconnect the mains plug from the power socket.

### 3.5 Switching off the wine cooler

1. Press Mode until the corresponding icon appears.

The wine cooler Off indicator and the wine cooler compartment indicator flash. The wine cooler temperature indicator shows dashes.

2. Press OK to confirm. The wine cooler Off indicator is shown.

### 3.6 Switching on the wine cooler

1. Press Mode until the corresponding icon appears.

The wine cooler Off indicator flashes.

2. Press OK to confirm. The wine cooler Off indicator goes off. To select a different set temperature refer to "Temperature regulation".

### 3.7 Temperature regulation

Set the temperature of the wine cooler and of the freezer by pressing the temperature regulators.

Default temperature settings:

- +10°C for the wine cooler
- -18°C for the freezer

The set temperature will be reached within 24 hours.

After a power failure the set temperature remains stored.


### 3.8 FROSTMATIC function


The FROSTMATIC function accelerates the freezing of fresh food and, at the same time, protects foodstuffs already stored from undesirable warming.

1. Press Mode until the corresponding icon appears.

The FROSTMATIC indicator flashes.

2. Press OK to confirm.  
The FROSTMATIC indicator is shown.

 The FROSTMATIC function shuts off automatically after 52 hours. To switch off the function before its automatic end, repeat the steps until the FROSTMATIC indicator goes off.

 The function switches off by selecting a different freezer set temperature.


### 3.9 High temperature alarm

An increase in the temperature in the freezer compartment (for example due to an earlier power failure) is indicated by flashing the alarm icon and freezer temperature indicators, and sounding of buzzer.

Press any button.

The buzzer switches off.

The freezer temperature indicator shows the highest temperature reached for a few seconds, then displays the set temperature again.

 The alarm indicator continues to flash until the normal conditions are restored.

### 3.10 Door open alarm for the wine cooler compartment

An acoustic alarm will sound if the door is left open for a few minutes. The door open alarm conditions are indicated by:

- flashing alarm indicator;
- acoustic buzzer.

When normal conditions are restored (door closed), the alarm will stop. During the alarm, the buzzer can be switched off by pressing any button.

### 3.11 ChildLock function

To lock any possible operation through the buttons select the ChildLock function.

1. Press Functions button until the corresponding icon appears.  
The ChildLock indicator flashes.

2. Press OK to confirm.

The ChildLock indicator is shown.

3. To switch off the function press Functionsbutton until ChildLock indicator flashes, then press OKto confirm.

The ChildLock indicator goes off.

### 3.12 MinuteMinder function

The MinuteMinder function is to be used to set an acoustic alarm at the preferred time, useful for example when a recipe requires to cool down food products for a certain length of time or when a reminder is needed in order not to forget the bottles placed in the freezer for fast cooling.

1. Press Mode until the corresponding icon appears.

The MinuteMinder indicator flashes.

The Timer shows the set value (30 minutes) for a few seconds.

2. Press the Timer regulator to change the Timer set value from 1 to 90 minutes.

3. Press OK to confirm.

The MinuteMinder indicator is shown.

The Timer starts to flash (min).

It is possible to change the time at any time during the countdown and at the end by pressing the Temperature colder button and the Temperature warmer button.

At the end of the countdown, the MinuteMinder indicator flashes and an audible alarm sounds. Press OK to switch off the sound and terminate the function.

It is possible to deactivate the function at any time during the countdown by repeating the function steps, until the indicator turns off.

### 3.13 DYNAMICAIR function

1. Press Mode until the corresponding icon appears.  
The DYNAMICAIR indicator flashes.
2. Press OK to confirm.  
The DYNAMICAIR indicator is shown.



The activation of the DYNAMICAIR function increases energy consumption. If the function is activated automatically, the DYNAMICAIR indicator is not shown (refer to "Daily use").

To switch off the function, repeat the steps until the DYNAMICAIR indicator goes off.

## 4. DAILY USE

### 4.1 Freezing fresh food

The freezer compartment is suitable for freezing fresh food and storing frozen and deep-frozen food for a long time.

The maximum amount of food that can be frozen in 24 hours is specified on the **rating plate**, a label located on the inside of the appliance.

1. To freeze fresh food activate the FROSTMATIC function at least 24 hours before placing the food to be frozen in the freezer compartment.
2. Place the fresh food to be frozen in the FROSTMATIC compartment.

The freezing process lasts 24 hours: during this period do not add other food to be frozen.

### 4.2 Storage of frozen food

When first starting-up or after a period out of use, before putting the products in the compartment let the appliance run at least 2 hours on the higher settings.

If large quantities of food are to be stored, remove all drawers and baskets from appliance and place food on cooling shelves to obtain the best performance.



#### WARNING!

Make sure that foods do not exceed the load limit stated on the side of the upper section (where applicable)



In the event of accidental defrosting, for example due to a power failure, if the power has been off for longer than the value shown in the technical characteristics chart under "rising time", the defrosted food must be consumed quickly or cooked immediately and then re-frozen (after cooling).

### 4.3 Thawing

Deep-frozen or frozen food, prior to being used, can be thawed in the refrigerator compartment or at room temperature, depending on the time available for this operation.

Small pieces may even be cooked still frozen, directly from the freezer: in this case, cooking will take longer.



## 4.4 Ice-cube production

This appliance is equipped with two trays for the production of ice-cubes.

1. Fill the trays with water.
2. Put the trays in the freezer compartment



### CAUTION!

Do not use metallic instruments to remove the tray from the freezer.

## 4.5 Cold accumulators

The freezer contains at least one cold accumulator which increases storage time in the event of a power cut or breakdown.

## 4.6 Wine arrangement

The temperature can be adjusted between + 6 and + 16°C.

This compartment is ideal for storing and refining red or white wines for long periods.

- Lay the bottles down in such a way that the corks do not dry.
- Keep the wine in the dark. The door is in anti-UV darkened double glass to protect the wine from the light in case the appliance is located in a well-lit place.
- Avoid switching the appliance light on too often or for too long. Wine keeps better in the dark.
- Handle the bottles with care, to avoid agitating the wine.



Follow the recommendations and advice received at the time of purchase or given in the technical documentation regarding the quality, duration and optimum storage temperature of the wine.

## 4.7 Air circulation



- Do not cover the shelves with any protective material, such as paper, cardboard or plastic, which may obstruct the air circulation through them.
- Do not place the bottles at directly against the back wall of the compartment which will obstruct the air circulation through them.

## 4.8 Storage advice

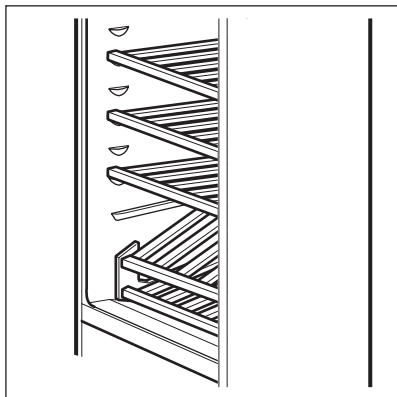
The storage time for wine depends on ageing, the type of grapes, alcoholic content and level of fructose and tannin contained in it. At the time of purchase, check if the wine is already aged or if it will improve over time.

## 4.9 Wine Cooler shelves

The shelves can be removed for cleaning.

Adjust the shelves as follows:

- The long shelves must be placed on the horizontal guides.
- Only the short shelf can be inserted in the shelf support structure in an inclined position. During this operation, make sure that the rear pins are properly inserted in the guides.
- The shelf support structure must be placed at the bottom of the compartment.



Only the short shelf can be inserted in the shelf support structure in an inclined position.

#### 4.10 Carbon Air Filter

Your appliance is equipped with a carbon filter CLEANAIR CONTROL in a drawer in the rear wall of the wine cooler compartment.

The filter purifies the air from unwanted odours in the wine cooler compartment meaning that the storage quality will be further improved.



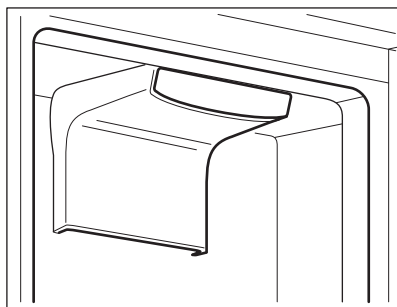
##### **CAUTION!**

During the operation, always keep the air ventilation drawer closed.



#### 4.11 DynamicAir

The refrigerator compartment is equipped with a device that allows for rapid cooling of bottles and more uniform temperature in the compartment.



This device activates by itself when needed, for example for a quick temperature recovering after door opening or when the ambient temperature is high.

It is possible to switch on the device manually when needed (refer to DynamicAir mode).



The DynamicAir device stops when the door is open and restarts immediately after the door closing.

## 5. HINTS AND TIPS

### 5.1 Normal operating sounds

The following sounds are normal during operation:

- A faint gurgling and bubbling sound from coils sound when refrigerant is pumped.
- A sudden cracking noise from inside appliance caused by thermic dilatation (a natural and not dangerous physical phenomenon).
- A whirring and pulsating sound from the compressor when refrigerant is pumped.

- A faint click noise from the temperature regulator when the compressor switches on or off.

## 5.2 Hints for energy saving

- Do not open the door frequently or leave it open longer than absolutely necessary.
- If the ambient temperature is high and the Temperature Regulator is set to low temperature and the appliance is fully loaded, the compressor may run continuously, causing frost or ice on the evaporator. If this happens, set the Temperature Regulator toward warmer settings to allow automatic defrosting and so a saving in electricity consumption.
- If foreseen, do not remove the cold accumulators from the freezer basket.

## 5.3 Hints for freezing

To help you make the most of the freezing process, here are some important hints:

- the maximum quantity of food which can be frozen in 24 hrs. is shown on the rating plate;
- the freezing process takes 24 hours. No further food to be frozen should be added during this period;
- freeze only top quality, fresh and thoroughly cleaned, foodstuffs;
- prepare food in small portions to enable it to be rapidly and completely frozen and to make it possible subsequently to thaw only the quantity required;

- wrap up the food in aluminium foil or polythene and make sure that the packages are airtight;
- do not allow fresh, unfrozen food to touch food which is already frozen, thus avoiding a rise in temperature of the latter;
- lean foods store better and longer than fatty ones; salt reduces the storage life of food;
- water ices, if consumed immediately after removal from the freezer compartment, can possibly cause the skin to be freeze burnt;
- it is advisable to show the freezing in date on each individual pack to enable you to keep tab of the storage time.

## 5.4 Hints for storage of frozen food

To obtain the best performance from this appliance, you should:

- make sure that the commercially frozen foodstuffs were adequately stored by the retailer;
- be sure that frozen foodstuffs are transferred from the foodstore to the freezer in the shortest possible time;
- not open the door frequently or leave it open longer than absolutely necessary;
- once defrosted, food deteriorates rapidly and cannot be refrozen;
- do not exceed the storage period indicated by the food manufacturer.

# 6. CARE AND CLEANING



**WARNING!**  
Refer to Safety chapters.

## 6.1 General warnings



**CAUTION!**  
Unplug the appliance before carrying out any maintenance operation.



This appliance contains hydrocarbons in its cooling unit; maintenance and recharging must therefore only be carried out by authorized technicians.



The accessories and parts of the appliance are not suitable for washing in a dishwasher.

## 6.2 Periodic cleaning



### CAUTION!

Do not pull, move or damage any pipes and/or cables inside the cabinet.



### CAUTION!

Take care of not to damage the cooling system.



### CAUTION!

When moving the cabinet, lift it by the front edge to avoid scratching the floor.

The equipment has to be cleaned regularly:

1. Clean the inside and accessories with lukewarm water and some neutral soap.
2. Regularly check the door seals and wipe clean to ensure they are clean and free from debris.
3. Rinse and dry thoroughly.
4. If accessible, clean the condenser and the compressor at the back of the appliance with a brush.  
This operation will improve the performance of the appliance and save electricity consumption.

## 6.3 Defrosting the freezer

The freezer compartment is frost free. This means that there is no build up of frost when it is in operation, neither on the internal walls nor on the foods.

The absence of frost is due to the continuous circulation of cold air inside the compartment, driven by an automatically controlled fan.

## 6.4 Periods of non-operation

When the appliance is not in use for long periods, take the following precautions:

1. Disconnect the appliance from electricity supply.
2. Remove all food.
3. Clean the appliance and all accessories.
4. Leave the door/doors open to prevent unpleasant smells.



### WARNING!

If the cabinet will be kept on, ask somebody to check it once in a while to prevent the food inside from spoiling in case of a power failure.

## 6.5 Replacing the carbon filter



The air filter is a consumable accessory and as such is not covered by the guarantee.

To get best performance the carbon air filter should be changed once every year.

New active air filters can be purchased from your local dealer.

Refer to "Installation of the carbon air filter" for the instructions.

# 7. TROUBLESHOOTING



### WARNING!

Refer to Safety chapters.

## 7.1 What to do if...

Problem	Possible cause	Solution
The appliance does not operate.	The appliance is switched off.	Switch on the appliance.

<b>Problem</b>	<b>Possible cause</b>	<b>Solution</b>
	The mains plug is not connected to the mains socket correctly.	Connect the mains plug to the mains socket correctly.
	There is no voltage in the mains socket.	Connect a different electrical appliance to the mains socket. Contact a qualified electrician.
The appliance is noisy.	The appliance is not supported properly.	Check if the appliance stands stable.
Audible or visual alarm is on.	The cabinet has been recently switched on or the temperature is still too high.	Refer to "Door Open Alarm" or "High Temperature Alarm".
	The temperature in the appliance is too high.	Refer to "Door Open Alarm" or "High Temperature Alarm".
	The door is left open.	Close the door.
	The temperature in the appliance is too high.	Contact a qualified electrician or contact the nearest Authorized Service Centre.
A square symbol is shown instead of numbers on the Temperature Display.	Temperature sensor problem.	Contact the nearest Authorized Service Centre (the cooling system will continue to keep food products cold, but temperature adjustment will not be possible).
The lamp does not work.	The lamp is in stand-by.	Close and open the door.
The lamp does not work.	The lamp is defective.	Contact the nearest Authorized Service Centre.
The compressor operates continually.	Temperature is set incorrectly.	Refer to "Operation" chapter.
	Many food products were put in at the same time.	Wait some hours and then check the temperature again.
	The room temperature is too high.	Refer to climate class chart on the rating plate.
	Food products placed in the appliance were too warm.	Allow food products to cool to room temperature before storing.
	The door is not closed correctly.	Refer to "Closing the door".
	The FROSTMATIC function is switched on.	Refer to "FROSTMATIC function".

<b>Problem</b>	<b>Possible cause</b>	<b>Solution</b>
The compressor does not start immediately after pressing the FROSTMATIC, or after changing the temperature.	This is normal, no error has occurred.	The compressor starts after a period of time.
Water flows inside the wine cooler.	The water outlet is clogged.	Clean the water outlet.
	Food products prevent that water flows into the water collector.	Make sure that food products do not touch the rear plate.
Water flows on the floor.	The melting water outlet is not connected to the evaporative tray above the compressor.	Attach the melting water outlet to the evaporative tray.
Temperature cannot be set.	The FROSTMATIC or COOLMATIC function is switched on.	Switch off FROSTMATIC or COOLMATIC manually, or wait until the function resets automatically to set the temperature. Refer to "FROSTMATIC or COOLMATIC function".
DEMO appears on the display.	The appliance is in demonstration mode.	Keep the Mode pressed for approximately 10 seconds until a long sound is heard and display shuts off for a short time.
The temperature in the appliance is too low/too high.	The temperature regulator is not set correctly.	Set a higher/lower temperature.
	The door is not closed correctly.	Refer to "Closing the door".
	The food products' temperature is too high.	Let the food products temperature decrease to room temperature before storage.
	Many food products are stored at the same time.	Store less food products at the same time.
	The door has been opened often.	Open the door only if necessary.
	The FROSTMATIC function is switched on.	Refer to "FROSTMATIC function".
	There is no cold air circulation in the appliance.	Make sure that there is cold air circulation in the appliance.

Problem	Possible cause	Solution
The temperature in the wine cellar is too high.	There is no cold air circulation in the appliance.	Make sure that there is cold air circulation in the appliance.
	The temperature regulator is not set correctly.	Set a lower temperature.
	The door is not closed correctly.	Refer to "Closing the door".
	Many bottles are stored at the same time.	Store less bottles at the same time.



If the advice does not lead to the desired result, call the nearest brand-mark service.

## 7.2 Closing the door

1. Clean the door gaskets.
2. If necessary, adjust the door. Refer to "Installation".
3. If necessary, replace the defective door gaskets. Contact the Service Center.

## 7.3 Replacing the lamp

The appliance is equipped with a longlife LED interior light.

Only service is allowed to replace the lighting device. Contact your Service Center .

# 8. INSTALLATION



**WARNING!**  
Refer to Safety chapters.

## 8.1 Positioning

This appliance can be installed in a dry, well ventilated indoor where the ambient temperature corresponds to the climate class indicated on the rating plate of the appliance:

Climate class	Ambient temperature
SN	+10°C to + 32°C
N	+16°C to + 32°C
ST	+16°C to + 38°C
T	+16°C to + 43°C



Some functional problems might occur for some types of models when operating outside of that range. The correct operation can only be guaranteed within the specified temperature range. If you have any doubts regarding where to install the appliance, please turn to the vendor, to our customer service or to the nearest Service Centre

## 8.2 Electrical Connection

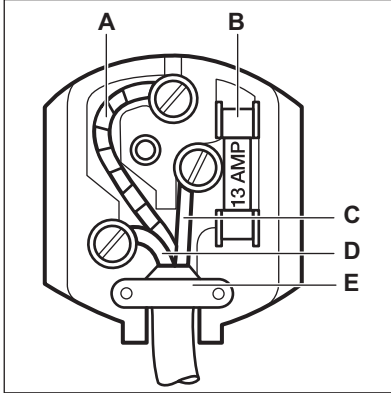


**CAUTION!**  
Any electrical work required to install this appliance should be carried out by a qualified electrician or competent person.

**WARNING!**

This appliance must be earthed. The manufacturer declines any liability should these safety measures not be observed.

The wires in the mains lead are coloured in accordance with the following code:



- A - green and yellow: Earth
- C - brown: Live
- D - blue: Neutral

As the colours of the wires in the mains lead of this appliance may not correspond with the coloured markings identifying the terminals in your plug, proceed as follows:

1. Connect the wire coloured green and yellow to the terminal marked either with the letter "E" or by the earth symbol  $\oplus$  or coloured green and yellow.
2. Connect the wire coloured blue to the terminal either marked with the letter "N" or coloured black.
3. Connect the wire coloured brown to the terminal either marked with the "L" or coloured red.
4. Check that no cut, or stray strands of wire is present and the cord clamp (E) is secure over the outer sheath. Make sure the electricity supply voltage is the same as that indicated on the appliance rating plate.
5. Switch on the appliance.

The appliance is supplied with a 13 amp fuse (B). In the event of having to change

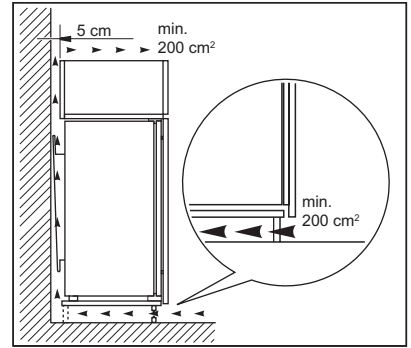
the fuse in the plug supplied, a 13 amp ASTA approved (BS 1362) fuse must be used.

**WARNING!**

A cut off plug inserted into a 13 amp socket is a serious safety (shock) hazard. Ensure that it is disposed of safely.

### 8.3 Ventilation requirements

The airflow behind the appliance must be sufficient.

**CAUTION!**

Refer to the assembly instructions for the installation.

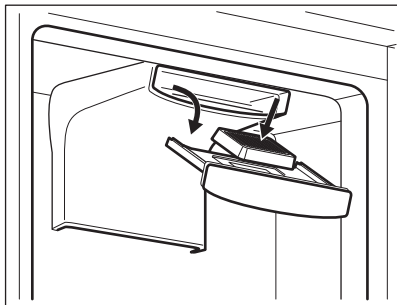
### 8.4 Installation of the CLEANAIR CONTROL Filter

The carbon air filter is an active carbon filter which absorbs bad odors and permits to maintain the best flavour and aroma for all foodstuffs without risk of odor cross contamination.

On delivery the carbon filter is in a plastic bag to preserve performance. The filter should be placed in the drawer before the appliance is turned on.

1. Open the drawer.
2. Take the filter out of the plastic bag.
3. Insert the filter in the drawer.
4. Close the drawer.

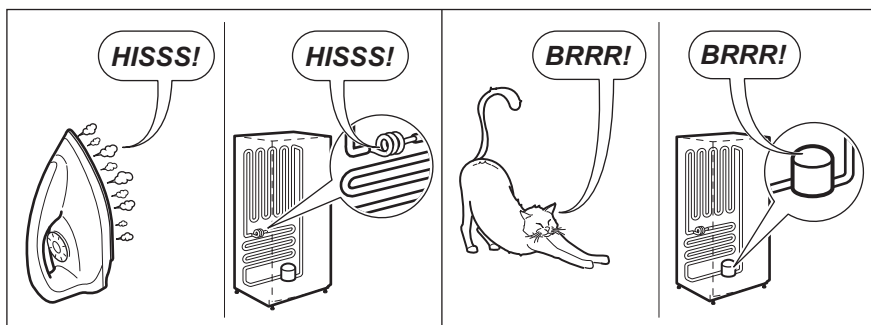
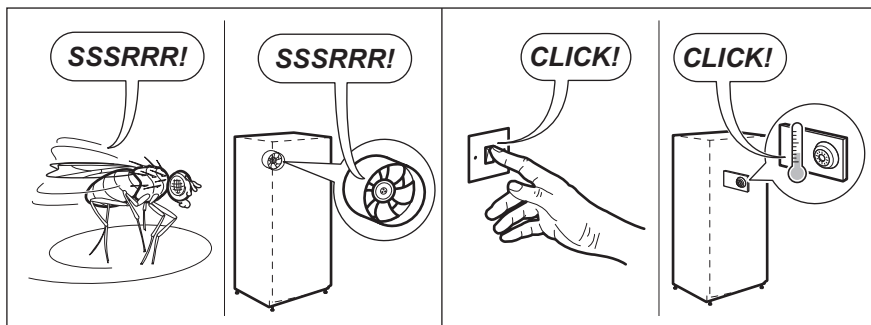
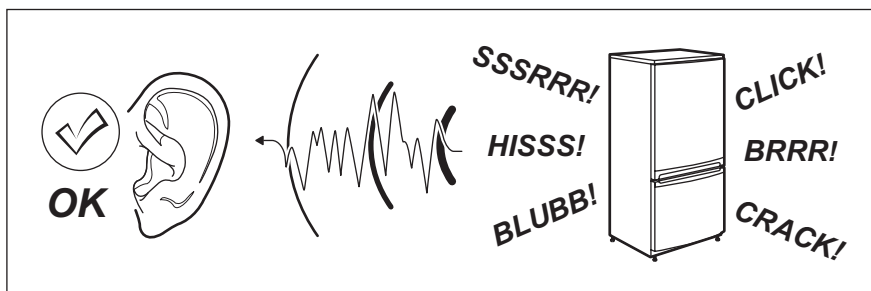


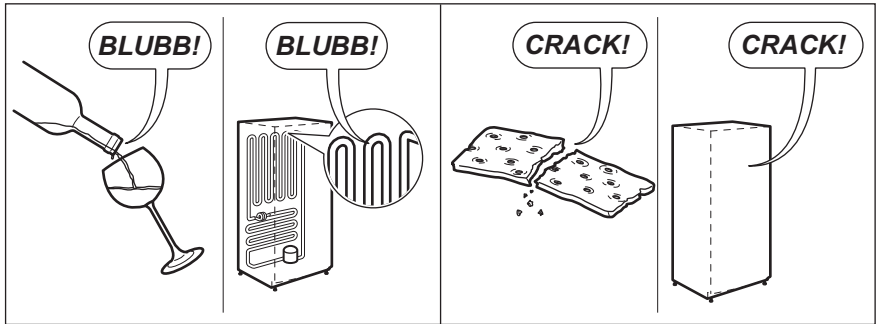


**i** The filter should be handled carefully so fragments do not loosen from the surface. Make sure that the air lever drawer is closed to obtain proper function.

## 9. NOISES

There are some sounds during normal running (compressor, refrigerant circulation).





## 10. TECHNICAL INFORMATION



### 10.1 Technical data

Height	mm	1885
Width	mm	545
Depth	mm	575
Rising time	Hours	25
Voltage	Volts	230 - 240
Frequency	Hz	50

The technical information are situated in the rating plate, on the external or

internal side of the appliance and in the energy label.

## 11. ENVIRONMENTAL CONCERNS

Recycle the materials with the symbol . Put the packaging in applicable containers to recycle it. Help protect the environment and human health and to recycle waste of electrical and electronic appliances. Do not dispose appliances marked with the symbol  with the household waste. Return the product to your local recycling facility or contact your municipal office.



[www.aeg.com/shop](http://www.aeg.com/shop)



222369708-A-122014

