

UK Subject to change

Document Ref:
TW-820/18684

Copyright ©
These instructions are the sole property of Ferm-Omega Tools and may not be reproduced

USER'S MANUAL

Ferm Woodworking Bench

TW-820

CE


Ferm[®]


Art.nr. 730825
Screwfix Art.nr. 18684

JOINTER'S BENCH

SAFETY INSTRUCTIONS

The following symbols are used in these instructions for use:


 Denotes risk of personal injury, loss of life or damage to the tool in case of non-observance of the instructions in this manual.

 Denotes risk of electric shock.

Carefully read this manual before using the machine. Make sure that you know how the machine functions and how to operate it. Maintain the machine in accordance with the instructions to make sure it functions properly. Keep this manual and the enclosed documentation with the machine.

Ferm products are manufactured to high quality standards they are safe and fit for purpose at time of sale, but all tools can be dangerous if the correct precautions are not taken.

Always follow these instructions, do not carry out the operation until you are sure you can do so in safety. Remember to consider the work environment for safe operation as well as safety for tool use.

 **Warning!** When using electric tools, basic safety precautions should always be followed to reduce the risk of fire, electric shock and personal injury. Read all these instructions before attempting to operate this product. Save these instructions for future reference.

PERSONAL SAFETY

Use Personal Protection Safety Equipment

Protect eyes with safety glasses or goggles note: the use of safety protective eyewear without the CE mark can lead to serious injury if the lens breaks. A suitable dust mask should be worn if cutting, drilling or sanding is dusty, in particular chipboard or MDF.

Approved safety footwear and headgear should worn as appropriate, for example on building works or when heavy weights are involved. Wear suitable gloves and apron to protect against sparks/debris. Wear earplugs or ear defenders.

Dress properly

Do not wear loose clothing or jewellery. It can get caught in moving parts. Non-skid footwear is recommended when working out doors. Wear protective hair covering to contain long hair.

Stay alert

Watch what you are doing Use common sense. Do not operate tools when tired or after taking alcohol or prescription/ non-prescription drugs.

OPERATIONAL SAFETY

Concentrate

Routine and repetition can lead to mistakes. Remember that a slight lack of concentration can result in serious injuries in a split second

Keep work area clean

Cluttered areas and benches invite injuries.

Consider the work environment

Do not expose power tools to rain or use them in damp or wet locations. Keep work area well lit. Do not use power tools in the presence of flammable liquids, vapours or gases.

Guard against electric shock

This unit contains dangerous voltages. Use a RCD (residual current device) to provide protection against electrical shock. Prevent body contact with grounded surfaces (e.g. pipes, radiator, ranges or refrigerators).

Keep children and pets away

Do not let children or pets come into contact with the tool, extension cable or work area.

Do not force the tool

It will work better and safer at the rate for which it was intended.

Use the right tool

Do not force small tools or attachments to do the job of a heavy-duty tool. Do not use tools for purposes for which they were not intended; for example do not use a circular saw for cutting trees or logs.

Do not abuse the cable


Never carry the tool by the cable or pull it to disconnect it from the power socket. Keep the cable away from heat, oil and sharp edges. Do not touch the metal plug pins when connecting or removing the plug.

Do not over-reach

Keep a proper footing and balance at all times.

Disconnect tools from power supply

When not in use, before servicing and when changing accessories such as blades, bits and cutters.

 Always switch off and unplug the sander from the power supply before making adjustments or changing abrasive belts.

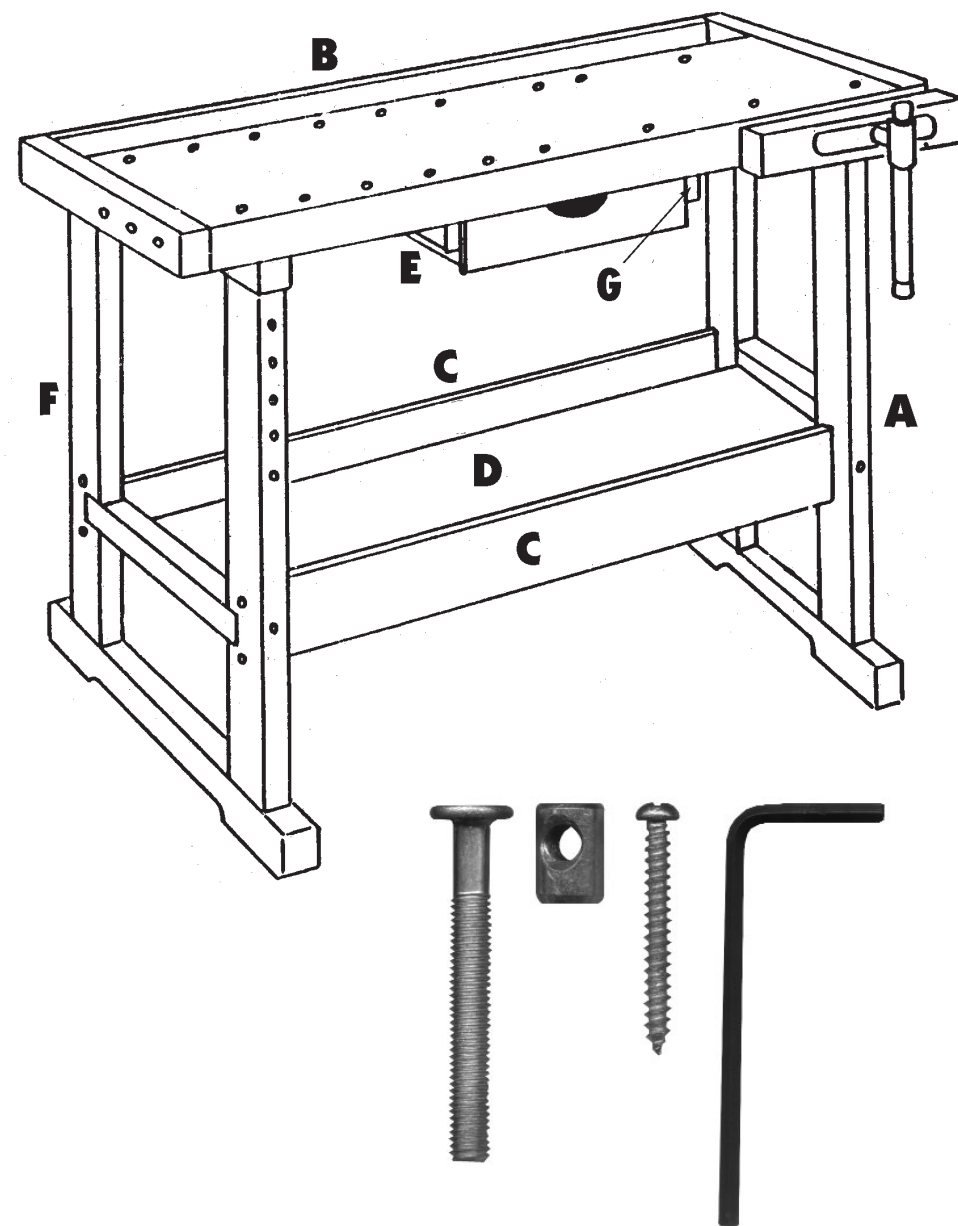
Remove adjusting keys and wrenches

Ensure that they are removed from the tool before switching on.

Avoid unintentional starting

Do not carry plugged in tools with your finger on the switch. Check that the switch is off before plugging in to socket.

EXPLODED VIEW



Extension cables

Use only three core earthed extension cables suitable for the power input of the tool (minimum cable size 1.5mm²). Plug into an earthed socket only. When using a cable reel unwind it fully. Do not use long extension cables.

Outdoors use

If the tool is suitable to be used outdoors, only use an extension cable intended for outdoor use and marked accordingly. Use a RCD (residual current device) to provide protection against electrical shock. Do not use in rain or damp conditions.

Connect a dust extraction device

Whenever there are facilities for fitting a dust or fume extraction system, make sure it is connected and used.

Use recommended accessories

The use of any other accessory or attachment other than recommended in the instructions or catalogue may present a risk of personal injury. Use an extension cable with a minimum conductor size of 1.5mm². When using a cable reel unwind it fully.

INSTALLATION

For easy assembly please follow the steps described below. It is recommended not to fully tighten the screws. Leave this operation to the end.

1. Fix the right leg (A) (without front holes) below board (B) using 3 screws.
2. Fix the support (C) (groove to the inside) to the big leg (A), using 2 long bolts per support.
3. Insert the plywood board (D) into the inner grooves of the support.
4. Fix the left leg (A) (with front holes) below the board (B), using 3 screws, and the support (C) using 2 long bolts per support.
5. Fix the rails (E and G) of the drawer using 2 screws per rail. (make sure that the wheel is on the inside and front side).
6. Fix the drawer after the rails have been fixed.
7. Install the clamp by inserting the clamping pegs into the holes provided. Ensure correct positioning by pressing it against the board.
8. Complete the assembling by fully tightening all screws.

A set of wooden clamping pegs is also supplied to insert into the holes in the clamp and workbench in order to hold the different pieces to be worked on.

GUARANTEE PROVISIONS

1. Ferm guarantees all material and construction defects for a period of 36 MONTHS after purchase. Other claims in respect of damage, of whatever nature, direct or indirect, to persons and/or materials are excluded.
2. Always consult your Ferm dealer in the first instance. Usually he will be able to solve the problem or repair the defect.
3. If parts are repaired or replaced within the warranty period, this does not extend the warranty period.
4. Fair wear and tear is not covered by this warranty. For example motors, switches or bulbs.
5. THIS WARRANTY APPLIES ONLY:
 - If you can submit proof of the date of purchase, i.e. a RECEIPT stating the date of purchase.
 - If you have completed and signed the enclosed warranty card. You will find the warranty card in the back of this manual.
 - If no repairs or alterations have been made to the machine by third parties, nor other than the original parts have been fitted.
 - If the machine was used in accordance with the instructions.
 - If we cannot plead force majeure.
6. The warranty provisions apply in combination with our terms of delivery and sale.
7. All cost of transport of the product to be repaired are at buyer's expense. Badly packed articles are not accepted.

FERM'S AFTER SALES SERVICE

Save the original packing. Should you ever have to move the machine there is less risk of damage in the original packing. In the case of a guarantee claim the product can be returned best in the original packing.

ENVIRONMENTAL PROTECTION

Recycling raw materials is preferred to dumping them as waste! To prevent the machine from being damaged during transport its packing must be strong. Insofar as possible the packing consists of recyclable materials such as paper, cardboard and wood.

