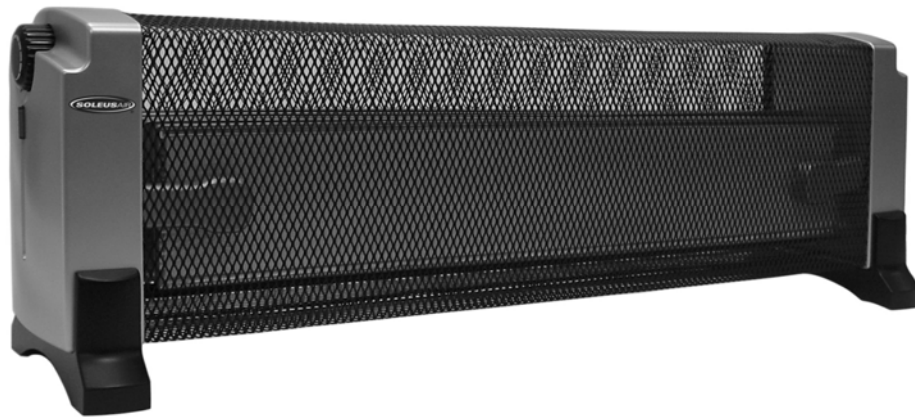




BASEBOARD MICATHERMIC HEATER

USER MANUAL
Model # HGW-203



BASEBOARD MICATHERMIC HEATER

Micathermic is a new method of heating that utilizes technology from both convection and reflective heat. The heater releases 80% reflective and 20% convection heat, distributing heat consistently and more evenly throughout the room. The heater releases healthy infrared heat, directly warming surrounding objects. As the surrounding objects absorb heat, the air temperature rises.

Special Features

- Safe and healthy
- Heats instantly and silently
- Adjustable thermostat
- Power and temperature control light indicator
- Anti-freeze setting
- Overheat safety protection
- Energy efficient
- Lightweight
- Quiet
- Non-flammable surface
- No dehumidifying

Specifications

Voltage Rating	115 V, 60Hz
Power Consumption	1500W
Unit Size	29.5"(L)x 9"(H)x 7"(W)
Unit Weight	8 lbs

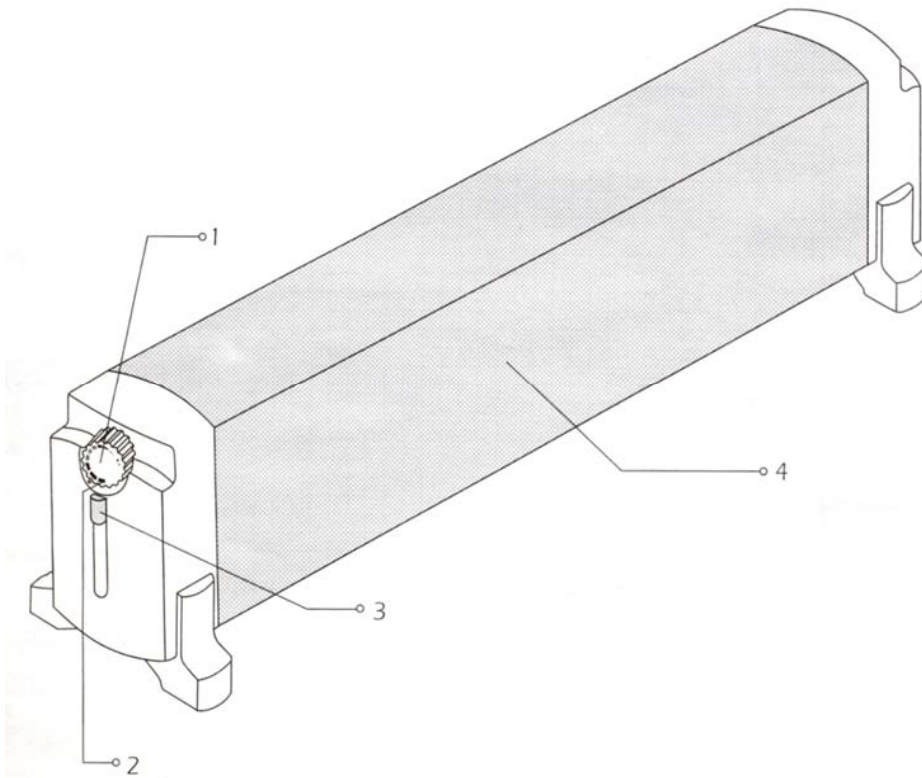


PLEASE SAVE THESE INSTRUCTIONS

INTRODUCTION

Heater Diagram

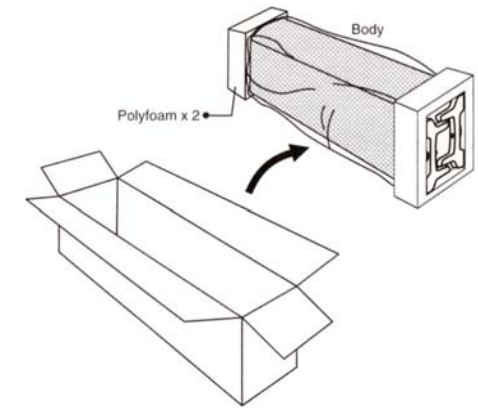
1. Power and Temperature Control Knob
2. Anti-Freeze Setting
3. Temperature Control Light Indicator
4. Metal Grille



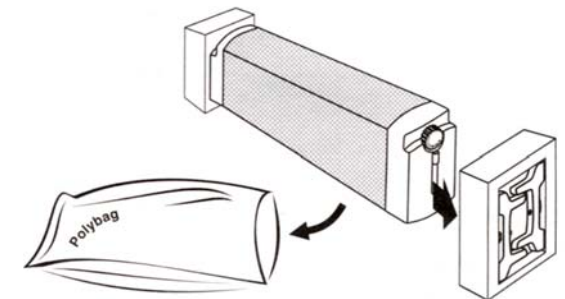
Remove Packaging

PLEASE READ ALL INSTRUCTIONS BEFORE OPERATING HEATER!

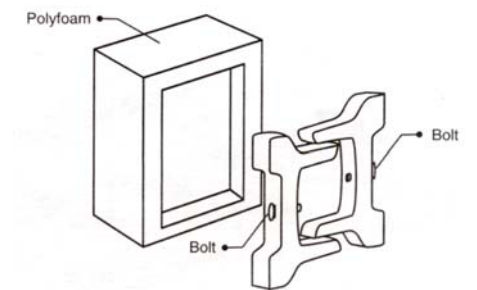
1. Remove the heater from the box.



2. Remove the poly foam from both ends and remove the poly bag.



3. Remove the two foot bases and two bolts from the polyfoam.



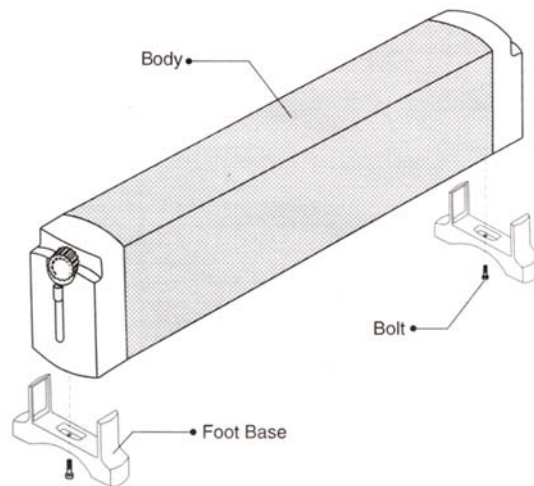
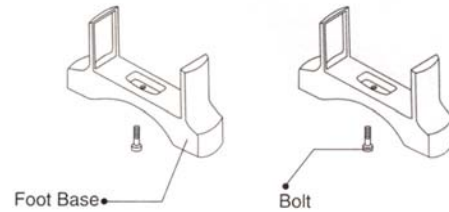
4. Save the packaging for storing the heater while it is not in use or during summer months.

Assembly

Required tools:

phillips screwdriver
(not included)

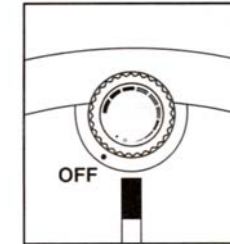
Align the foot bases with the bottom of the unit. Use the included bolts to attach the foot bases to the heater body as shown in the diagram.



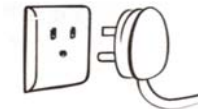
Operation

PLEASE READ ALL INSTRUCTIONS BEFORE OPERATING HEATER!

1. Ensure that the Temperature Control Knob is at "OFF" position. [Fig 1]



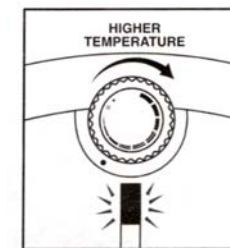
2. Plug the power cord into a suitable electrical outlet. [Rated not less than 115 volt]



3. Turn the Temperature Control Knob clockwise until the Light Indicator turns on [Fig 2]. At this moment, the Temperature Control will start working.

Note: The Light Indicator will turn off when the room reaches the desired temperature. After a while, as the room temperature falls, the heater will turn on again and release heat until the room temperature rises to the desired temperature. Desired room temperature is maintained automatically by this procedure.

You can adjust the temperature control knob to increase or decrease the room temperature as desired by turning in a clockwise or counter-clockwise direction as shown in the figure.



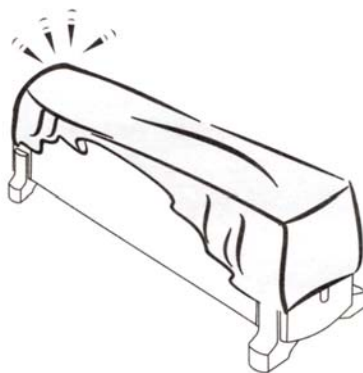
4. To obtain a desirable temperature, there is an area indicated on the Temperature Control Knob known as the "Comfortable Zone." You can adjust the knob to select a temperature within this range.



5. Anti-Freeze Setting
This setting keeps the temperature of the surrounding area above freezing to prevent pipes from breaking. To do this, simply plug in the heater and turn the Temperature Control Knob to the "Snowflake" position. The heater will automatically turn on when the ambient temperature drops below 41°F.



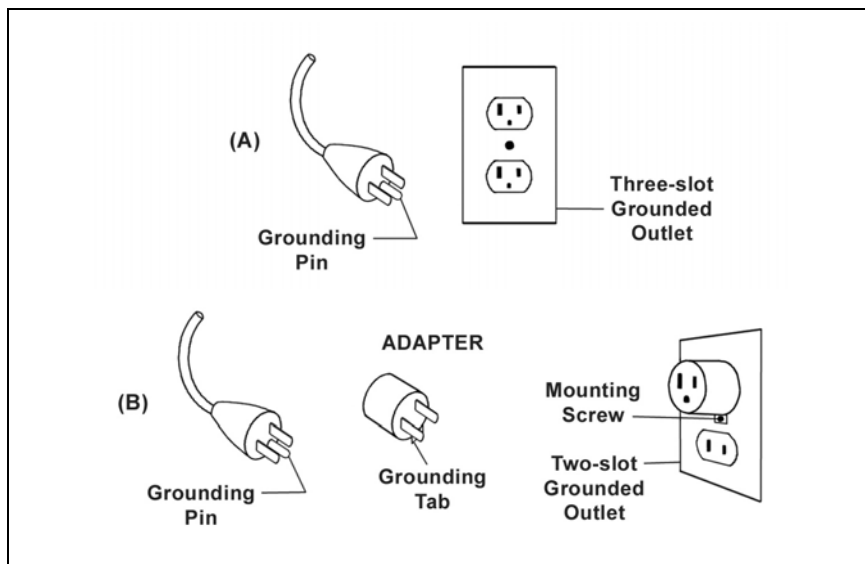
6. Overheat Safety Protection
The heater comes equipped with overheat safety protection, so it can detect if it is overheating and will automatically shut off. When the unit temperature falls again, power will be resumed. To avoid overheating and potential risk of fire, DO NOT cover the heater.



Important Safeguards

PLEASE READ ALL INSTRUCTIONS BEFORE OPERATING HEATER!

- The heater is hot when in use. To avoid burns, do not let bare skin touch hot surface. Use handles when moving this heater.
Keep combustible materials, such as drapery and other furnishings, at least 3 feet [0.9m] from the front of the heater and away from the sides and rear.
- Extreme caution is necessary when any heater is used by or near children or invalids, or when the heater is left operating or unattended.
- Do not use outdoor. Never locate heater where it may fall into a bathtub or other water container.
- This heater has hot and arcing or sparking parts inside. Do not use in areas where gasoline, paint or flammable liquids are used or stored.
- Do not insert or allow foreign objects to enter any ventilation or exhaust opening as this may cause an electric shock or fire, or damage the heater.
- To prevent a possible fire, do not block air intakes or exhaust in any manner. Do not operate this appliance on soft surfaces because the inlet openings can be blocked.
- Always unplug heater when not in use. To disconnect heater, turn controls to off, then remove plug from outlet.
- Avoid using an extension cord because the extension cord may overheat and cause a risk of fire.
- Do not run cord under carpet and do not cover cord with throw rugs, runners, or the like. Place the cord away from traffic area and where it will not be tripped over.
- The heater must not be located immediately below an outlet.
- Do not operate any heater with a damaged cord or plug, after the heater malfunctions, or has been dropped or damaged in any manner. If the heater is damaged, it must be serviced by the manufacturer or a similarly qualified service agent in order to ensure safety.
- Connect the heater to properly grounded outlets only.
- Use this heater only as described in this manual. Any other use not recommended by the manufacturer may cause fire, electric shock, or injury to persons.
- Do not use this heater with a programmer, timer or any other device that switches the heater on automatically, since a fire risk exists if the heater is covered or positioned incorrectly.



WARNING: This heater has a grounded three pronged plug intended to fit into a three slot outlet. (A) An adapter is available for connecting three pronged plugs into two slot outlets. (B) When doing so, the green grounding tab extending from the adapter must be fastened under the wall plate's mounting screw. The adapter should not be used if a three-slot outlet is available.

DO NOT DEFEAT THE SAFETY PURPOSE OF THE GROUNDED PLUG.

Cleaning

- Before cleaning, turn off the heater, unplug the power cord and allow the heater to cool.
- Do not immerse power cord and plug or heater in water or other liquid or pour water or other liquid over the heater.
- Use a vacuum cleaner to remove dust and lint from the metal grille of the heater.
- Wipe the heater with a dry cloth to remove dust and a damp cloth [not wet] to clean off stains.
- Do not use detergents, abrasive cleaning powder or polish of any kind on the body of the heater, as these can damage the finish.

Storage

- Store the heater in a cool dry location. Preferably, to prevent dust and dirt build up, use the old packaging to repack the unit.

Troubleshooting

HEATER WILL NOT HEAT

1. Check if the heater is plugged in and turned on.
2. Check if the Temperature Control Knob is in the right position.
3. Check if any objects are covering the unit.

HEATER WILL NOT TURN ON

1. Check if the power cord is plugged into an electrical outlet.
2. Check if electricity or the main fuse is working.
3. Check if the heater is on the Thermostat Control condition [ensure the Light Indicator is on].

WARRANTY

One Year Limited Warranty

Soleus International Inc. warrants the accompanying Soleus Air HGW-203 to be free of defects in material and workmanship for the applications specified in its operation instruction for a period of ONE (1) year from the date of original retail purchase in the United States or Canada.

If the heater exhibits a defect in normal use, Soleus International Inc. will, at its option, either repair or replace it, free of charge within a reasonable time after the heater is returned during the warranty period.

As a condition to any warranty service obligation, the consumer must present this Warranty Certificate along with a copy of the original purchase invoice.

THIS WARRANTY DOES NOT COVER:

- 1) Damage, accidental or otherwise, to the heater while in the possession of a consumer not caused by a defect in material or workmanship.
- 2) Damage caused by consumer misuse, tampering, or failure to follow the care and special handling provisions in the instructions.
- 3) Damage to the finish of the case, or other appearance parts caused by wear.

- 4) Damage caused by repairs or alterations of the heater by anyone other than those authorized by Soleus International Inc.
- 5) Freight and Insurance cost for the warranty service.

ALL WARRANTIES, INCLUDING ANY IMPLIED WARRANTY OF MERCHANTABILITY ARE LIMITED TO ONE-YEAR DURATION OF THIS EXPRESS LIMITED WARRANTY. **SOLEUS INTERNATIONAL INC.** DISCLAIMS ANY LIABILITY FOR CONSEQUENTIAL OR INCIDENTAL DAMAGES AND IN NO EVENT SHALL SOLEUS INTERNATIONAL INC'S LIABILITY EXCEED THE RETAIL VALUE OF THE HEATER FOR BREACH OF ANY WRITTEN OR IMPLIED WARRANTY WITH RESPECT TO THIS HEATER.

As some states do not allow the limitation or exclusion of incidental or consequential damages, or do not allow limitation on implied warranties, the above limitations and exclusions may not apply to you. This warranty gives you specific legal rights, and you may also have other rights that vary from state to state.

For Warranty, Technical Support, Customer Service, Missing or Defective Parts

Please Call (888) 876-5387

Or Write To:

Soleus International Inc.

9451 Telstar Ave.

El Monte, CA 91731 USA

www.soleusair.com