

# Rowenta

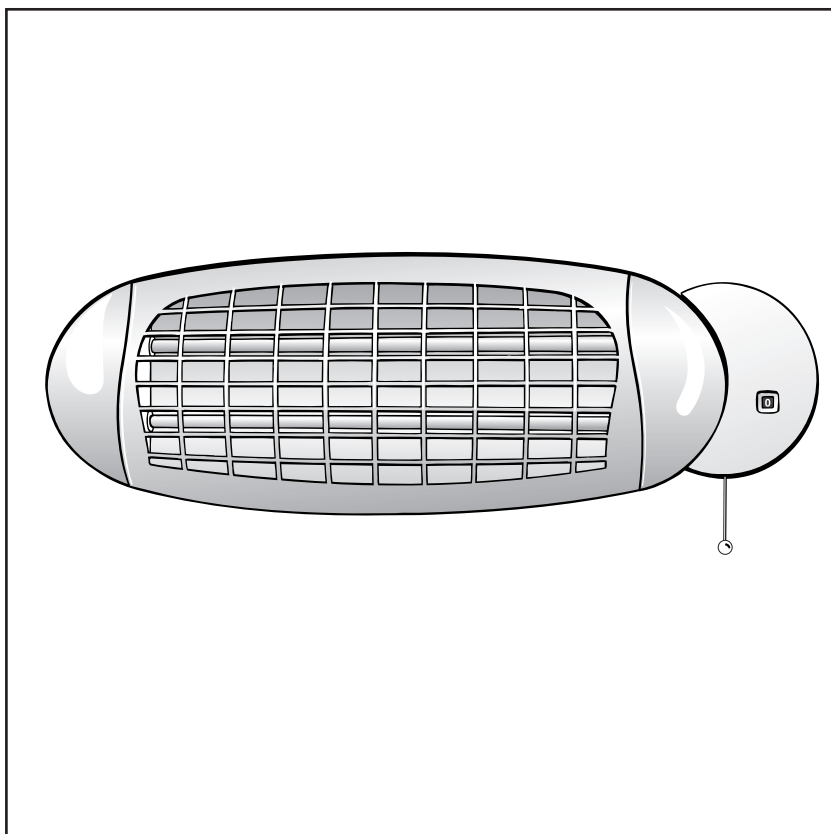
IR 100

IR 150

IR 200

## Gebrauchsanweisung

---



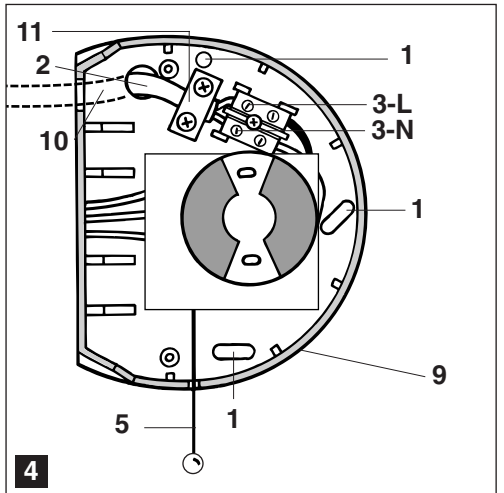
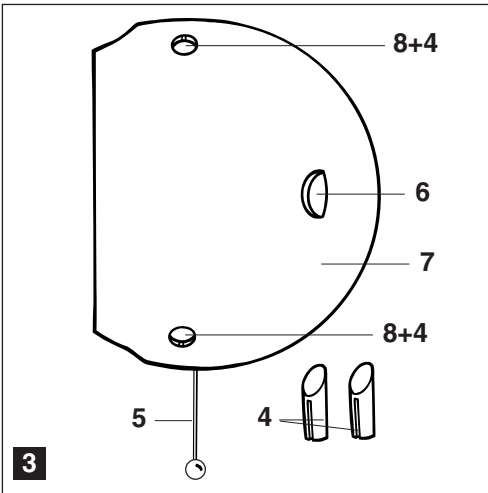
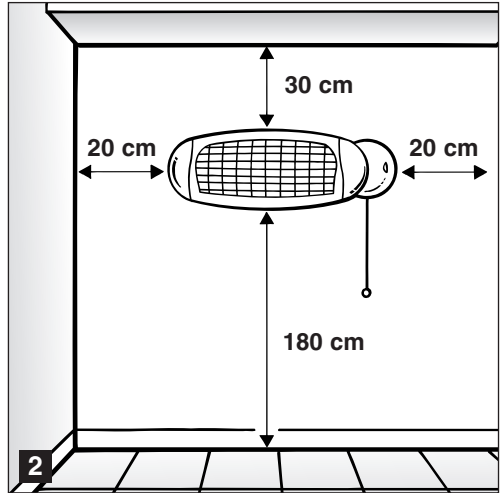
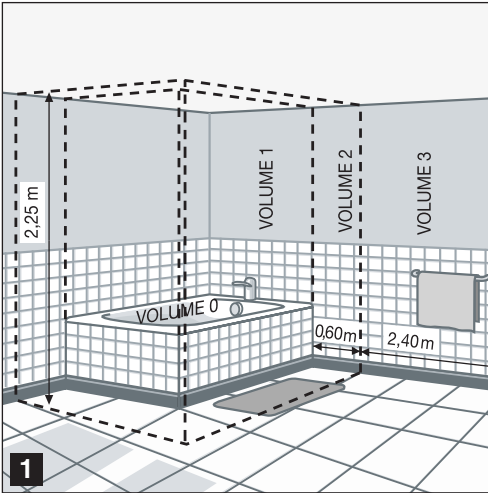
Instructions  
for use.

Istruzioni  
per l'uso.

Brugsanvisning

Bruksanvisning





Thank you for purchasing this infrared heater. We hope you will be completely satisfied with this product. To ensure this, please read these instructions carefully before use and keep them in a safe place.

ENG


## 1 - WARNINGS

- This electrical appliance complies with technical safety and electromagnetic compatibility standards.
- Never touch your heater when in operation (risk of burns).
- Never touch it with wet hands.
- Never rotate the heating part of the appliance during operation. To change the tilt angle of the heating part, we advise you to wait for **15 minutes** after the appliance has been switched off.
- Never place anything on your heater's safety guard as this may cause overheating (e.g. towels)
- Never use your appliance to dry washing.
- Even when the heating element has stopped glowing, it may still be live and potentially dangerous. Check that the selection indicator (6) is in position off before taking any action.
- Switch off your appliance :
  - after use
  - in the event of malfunction
  - before cleaning it.
- Never operate your appliance if it has fallen over, if it is damaged or if it is not working properly. Check that the appliance's mains supply circuit is disconnected (the fuse box in your installation or circuit breaker).
- Never dismantle your appliance. An incorrectly repaired appliance may be dangerous for the user. If you encounter any problems, please take it to one of the Approved Service Centres in our network (see attached list).

**The warranty will be void in the event of damage arising from improper use.**

This appliance is intended for domestic use only. Therefore it is not suitable for industrial use. **The warranty will not apply to appliances used for professional use.**

## 2 - VOLTAGE

Before using the appliance for the first time, ensure that your mains voltage corresponds to the voltage indicated on the appliance. It is a class II appliance (dual electrical insulation  ). **Never earth your appliance.**

## 3 - SAFETY

**VERY IMPORTANT : Before fitting or removing the appliance, ensure that the heater's power line supplying the heater is disconnected. Check also that the power line is fitted with a 30mA differential circuit breaker.**

- This appliance is designed for use in any room in your house, including those where there is a risk of splashing (kitchen, bathroom...)
- Your electrical installation and the installation and use of your appliance must comply with the applicable standards in your country.
- **When it is switched on, an electrical heating appliance reaches very high temperatures liable to cause burns. Make sure that all other users are aware of the risks.**
- French standard NFC 15.100 lays down 4 volumes in the bathroom (fig. 1) (see the current standards in your own country).
- This appliance may only be used in volumes 2 and 3 of such a room.

- If you have any doubts concerning installation possibilities for this heater, please consult a qualified electrician.
- Children, the elderly and the infirm may not always be fully aware of the danger involved in using electrical appliances. Never allow this appliance to be used without supervision.

## 4 - INSTALLATION

**Before installing your appliance, you must disconnect the electrical supply at the circuit breaker.**

- The appliance must be secured to the wall, in a horizontal position.
- **Never install in vertical position as it may damage the heating element and render the warranty null and void.**
- Never install your heater below a wall socket.  
Radiation is quite intense in the vicinity of the appliance and objects placed in this area can get very hot. You must therefore install your heater more than 60 cm from any inflammable objects (e.g. curtains, clothes).
- Your appliance has three mounting (1) enabling it to be adjusted to a horizontal level. (fig. 2)
- Using the mounting template printed outside the packaging, mark holes to be drilled in the wall, making sure that the minimum distances are respected (fig. 1 and 2).
- Before drilling the holes in the wall, make sure that the plugs and screws supplied with the appliance are suitable for your type of wall ; as an indication, the appliance weighs 1.5 kg.
- Dismantle the external unit (7) by unscrewing the two screws (8).

**Mod. IR 100-IR 150 :** Insert the mains power lead in the internal unit (9) through the grommet (2). You may use the optional cable guide (10) to position correctly the mains supply cable.

- Secure the internal unit (9) to the wall with the three mounting holes (1), making sure your appliance is horizontal.

**Mod. IR 100-IR 150 :**

- Unscrew the 2 lead clamp screws (11) to release the upper section.
  - Connect the neutral (blue lead) to the terminal marked N (3), and the live phase to the terminal marked L (3).
  - Fix again the lead clamp (11) to lock the mains supply lead.
- Reassemble the external unit (7) with screws (8) and fit the screw covers (4) (supplied in the accessory bag).
  - **Be careful not to touch the quartz tubes with your fingers to avoid stains.**

## 5 - OPERATION

The appliance is switched on by means of the pull switch (5). The slight vibration noticeable when the appliance is switched on stops after a few seconds.

## 6 - OUTPUT

**IR100 model**

- Position 0 : stop
- Position 1 : 750 W (intermediate power)
- Position 2 : 1500 W (full power)

**IR150 model**

- Position 0 : stop
- Position 1 : 600 W (normal power)
- Position 2 : 1200 W (intermediate power)
- Position 3 : 1800 W (full power)

**IR200 model**

- Position 0 : stop
- Position 1 : 600 W

**7 - MAINTENANCE**

Your appliance does not require any particular maintenance. However, in the event of a malfunction, **please consult an Approved Service Centre.**

**8 - SERVICE - SPARE PARTS.**

Rowenta (U.K.) Ltd has a network of Service Agents throughout the country. To telephone your nearest Rowenta Service Centre see enclosed Service Information leaflet. These Service Agents carry out in-guarantee repairs (free of charge) and out of guarantee repairs (chargeable) on behalf of Rowenta. Should service be required, or the appliance appear faulty, consult your local Rowenta Service Agent in the first instance. If a product develops a fault during the guarantee period, it is the responsibility of the consumer to supply to the Service Agent proof of the date of purchase of the appliance (eg. completed guarantee card and/or receipt showing the date of purchase).

**9 - GUARANTEE (U.K. ONLY).**

Details of the Rowenta guarantee are shown on the Guarantee Card enclosed with the appliance. This guarantee does not affect your statutory rights.

Should further information be required please see the enclosed Service Information leaflet.

**1 Jahr Garantie**

gemäß einliegenden Bedingungen. Nur gültig mit Kassenbon.

**1 year guarantee**

according to enclosed conditions.

**1 année de garantie**

selon conditions ci-jointes.

**1 jaar garantie**

overeenkomstig de bijgesloten voorwaarden.

**1 año de garantía**

según condiciones adjuntas.

**1 ano de garantia**

segundo as condições anexas.

Válido somente acompanhado com a talão de caixa.

Verkaufsdatum  
Date of purchase  
Date de la vente  
Datum van aankoop  
Fecha de adquisición  
Data de venda

Stempel des Fachhändlers  
Stamp of your dealer  
Cachet de votre magasin  
Firmastempel  
Sello del establecimiento  
Carimbo do vendedor autorizado