

USER MANUAL FOR YOUR

# HUL136.1 136 litre Built-under larder fridge




***NOTE: This User Instruction Manual contains important information, including safety & installation points, which will enable you to get the most out of your appliance. Please keep it in a safe place so that it is easily available for future reference, for you or any person not familiar with the operation of the appliance.***

# Contents

<b>Environmental note</b>	3
<b>Important safety information</b>	4–5
<b>Specifications of your refrigerator</b>	6-8
Dimensions	6
Description of the appliance	7
Description of the product features	8
<b>Using your refrigerator</b>	9-10
Before switching on	9
During first use	9
Turning on the appliance and setting the thermostat	10
<b>Arranging and storing food in the fridge section</b>	11-12
<b>Cleaning and maintenance</b>	12-14
Defrosting the refrigerator compartment	13
Replacing the light bulb	13-14
<b>Installation</b>	14-24
Electrical connection	14-15
Positioning	15
Aperture and appliance dimensions	16
Supplied installation components	16-17
Installing your fridge	17-22
Ventilation requirements	22
Reversing the door of your appliance	23-24
<b>Troubleshooting</b>	24-25
<b>Technical data</b>	26
<b>Contact details</b>	28

***Note: Before discarding an old appliance, switch off and disconnect it from the power supply. Cut off and render any plug useless. Cut the cable off directly behind the appliance to prevent misuse. This should be undertaken by a competent person. Disable the door lock to make sure that children cannot get stuck inside the appliance.***

This appliance is marked according to the European directive 2002/96/EC on Waste electrical and Electronic Equipment (WEEE). By ensuring this product is disposed of correctly, you will help prevent potential negative consequences for the environment and human health, which could otherwise be caused by inappropriate waste handling of this product.

The symbol  on the product, or on the documents accompanying the product, indicates that this appliance may not be treated as household waste. Instead it shall be handed over to the applicable collection point for the recycling of electrical and electronic equipment.

Disposal must be carried out in accordance with local environmental regulations for waste disposal.

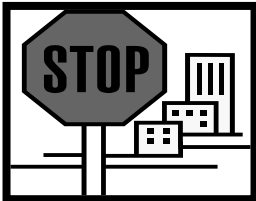
For more detailed information about treatment, recovery and recycling of this product, please contact your local city office, your household waste disposal service or the shop where you purchased the product.



## Important safety information



Your safety is of the utmost importance to us. Please make sure that you read this instruction booklet **before** attempting to install or use the appliance. If you are unsure of any of the information contained in this booklet, please contact the Advice Line.



**IMPORTANT: Any installation work must be carried out by a qualified electrician or competent person.**

### Use of the appliance

- Your appliance is only designed to be used in the home. It is suitable for storing food that needs to be chilled and refrigerated. If it is used for any other purpose or it is not used correctly, then the manufacturer will accept no liability for any damage that may be caused.
- Altering the specification of the appliance must not be attempted for reasons of safety.



### Before using your appliance

- Check the appliance for any signs of transport damage. If you notice any damage, then you should not connect your appliance to your mains supply and should contact your retailer.

### Refrigerant

- Your appliance contains R600a refrigerant, which is a natural gas that does not contain CFCs that can damage the environment. However it is a flammable substance, therefore care should be taken:
  - During the transportation and installation of the appliance, make sure that the refrigeration pipe work does not get damaged.
  - If it does become damaged then sources of ignition and open flames should be avoided. Also the room that the appliance is situated in should be thoroughly ventilated.

- Do not place any objects on top of the appliance, as this may damage the table top.



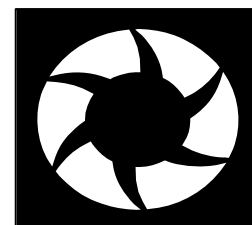
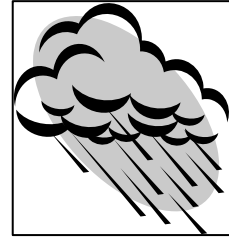
## Child safety

- Packaging material should be kept away from children.
- Children should not be allowed to touch the controls or play with the appliance.



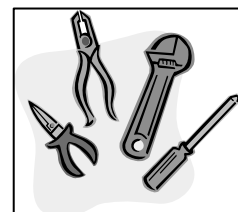
## General safety

- Do not pull on the power supply cable to remove the plug from your mains supply socket.
- Do not pull out or insert the plug with wet hands.
- Do not attempt to use your appliance outdoors or any place where it is likely to come into contact with the elements.
- Before cleaning the appliance or performing maintenance work, ensure that the appliance has been disconnected from your mains supply.
- Never allow the back coils of the appliance to come into contact with the wall surface.
- Always ensure that the location where you are installing your appliance is free of stored items such as papers and other flammable materials.
- Never block the ventilation openings of the appliance, either on the inside or its exterior.
- It is vital to keep your appliance well ventilated, so that there is proper air flow between the bottom of the unit and the plinth/kick plate which it is sitting on.
- Do not place electrical devices inside of the appliance, such as mixers and electric ice cream makers.



## Service

You should not attempt to repair the appliance yourself, as this could cause injury or a more serious malfunction. If you require a service call then please contact the Advice Line.



## Specifications of your refrigerator

- Total gross capacity: 136 litres
- Total net capacity: 133 litres
- Automatic defrost
- Adjustable thermostat
- Internal light
- 3 Safety glass shelves
- Salad crisper
- Bottle rack
- General door rack
- Reversible door
- Door-on-door fittings

### Dimensions of appliance

<i>Height:</i>	818 - 889 mm
<i>Width:</i>	595 mm
<i>Depth:</i>	548 mm

### Dimensions of aperture\*

<i>Height:</i>	820 - 890 mm
<i>Width:</i>	600 mm
<i>Depth:</i>	550 mm MIN

### Energy efficiency class

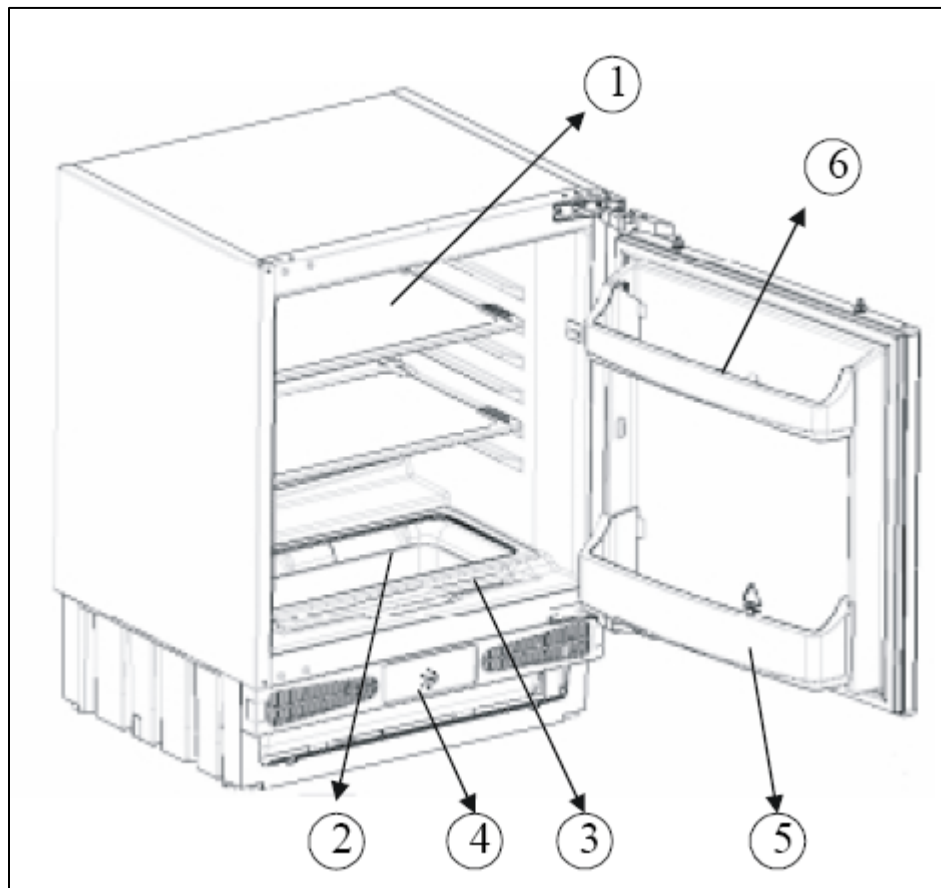
Energy class: A+

\* Please refer to the installation instructions for more specific information on the size of aperture that you will require.

***IMPORTANT:*** When you install your appliance it is important to bear in mind its climatic rating.

In order to find out the climatic rating of your appliance, you should check the rating plate. The rating plate is located on the front left edge of the inside of the fridge. You will need to open the door of your appliance to be able to find it. The rating plate will indicate the ambient temperature range that your appliance will function correctly within.

## Description of the appliance



- 1) Refrigerator shelf
- 2) Safety glass salad crisper shelf
- 3) Salad crisper
- 4) Thermostat dial
- 5) Bottle rack
- 6) Butter and cheese rack

## Description of the product features

### 1) Shelves

- The shelves may be placed in any of the guide slots within the interior of the appliance. They are protected from sliding out.
- To remove a shelf: Take off all of the items that are stored on the shelf that you want to remove. Then lift the front of the shelf and carefully pull it out of the grooves.

### 2) Defrost water outlet

- The interior of the refrigerator is cooled by the cooling plate that is on the rear wall. Beneath this there is a channel and an outlet for the defrost water.
- It is important that this channel never becomes clogged (see "Defrosting the refrigerator compartment" for a detailed explanation of how to keep the channel clear).

### 3) Crisper drawer and cover

- The crisper drawer is in the bottom of your refrigerator and there is a cover that goes over it.
- The cover helps to prevent fruit and vegetables from drying out prematurely.

### 4) Upper door shelf

- The upper door shelf is suitable for storing eggs, cheese, butter and yogurt. As well as smaller packages, tubes, cans etc.

### 5) Bottle shelf

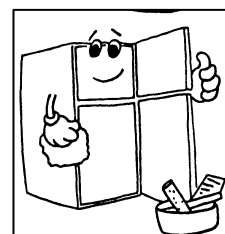
- The lower shelf should be used for storing reasonably sized bottles.
- ***IMPORTANT: IT IS IMPORTANT THAT NONE OF THE SHELVES THAT SIT IN THE DOOR ARE OVERLOADED, AS THIS WILL DRASTICALLY REDUCE THEIR WORKING LIFE.***



## Using your refrigerator

### Before switching on

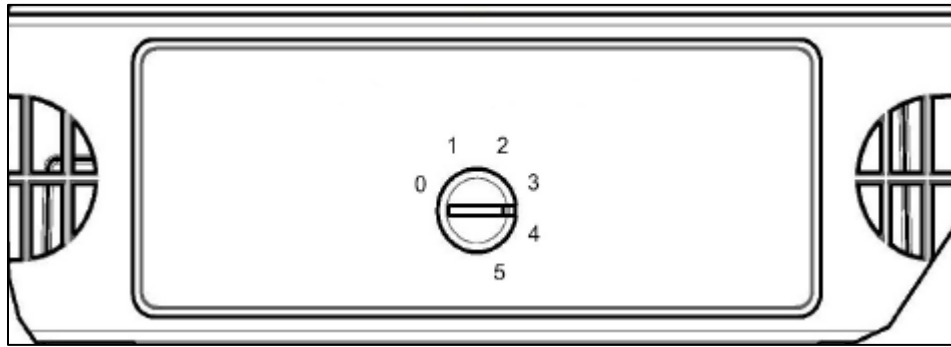
- Make sure that it has been installed by a suitably qualified person, as per the information contained in the installation instructions.
- After delivery, wait for eight hours before connecting the appliance to your mains supply. This will allow any refrigerant gasses that may have been disturbed during the transportation process to settle.
- The outside of the appliance and the removable accessories contained within it, should be cleaned with a solution of liquid detergent and water.
- The interior of the appliance should be cleaned with a solution of sodium bicarbonate dissolved in lukewarm water. The interior and accessories should be thoroughly dried, after the cleaning process has been completed.
- There can be an odour when you first switch on the appliance. It will lessen as the appliance starts to cool.



### During first use

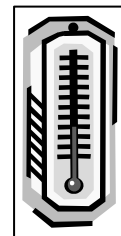
- When you first switch on the appliance, the compressor will run continuously for approximately 24 hours or until the fridge reaches a cool enough temperature.
- During this period of time, you should try not to open the door frequently or place a large amount of food within the appliance.
- If the unit is switched off or unplugged, you must allow at least 5 minutes before restarting the appliance on the thermostat or connecting it to your mains supply.

## Turning on the appliance and setting the thermostat



You switch on your appliance by connecting it to your mains supply and setting the thermostat. The thermostat dial is located at the base of the refrigerator.

- The thermostat automatically regulates the temperature inside the refrigerator, depending on what number you have turned the thermostat control knob to.
- Position <0> means that the appliance will not cool. However the light will still function.
- Position <1> will give you a higher temperature inside the fridge.
- Position <5> will give you a lower temperature inside the fridge.
- Ideally the thermostat should be set to a position between <3> to <4>.
- Your refrigerator can maintain a temperature of between 4 – 6 degrees centigrade.
- ***IMPORTANT:*** *The ambient temperature of the room, the temperature of food and the amount of food that has been placed in the appliance and how often the door is opened, will all affect the temperature being maintained by the appliance.*
- On the maximum setting (position <5>), your fridge will work harder to maintain a lower temperature and will increase the energy usage. There is no need to run your appliance on this setting for prolonged periods and you should return the thermostat knob to between <3> to <4>.

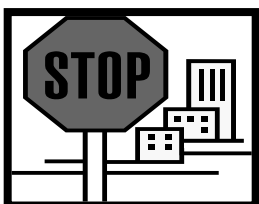


## Arranging and storing food in the fridge section

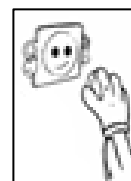
- Warm food or evaporating liquids should not be stored in your refrigerator, as this will increase the humidity inside of the appliance.
- All foods should be wrapped or covered, this is particularly important if the food has a strong flavour. You should use polythene bags or sheets, aluminum foil, wax paper. Liquids should be stored in covered containers or bottles.
- To maximise the space inside of the fridge section, any excessive packaging on the food should be removed.
- Quickly perishable food should be stored at the back of the refrigerator, which is the coldest part of the appliance.
- No food items should be allowed to come into contact with the back wall of the refrigerator.
- Make sure that you arrange food in such a way that the door can close completely. Particular attention should be given to bottles that may protrude when placed on shelves inside the main section of the refrigerator.
- Some organic solutions, such as the oils in lemon/orange peel and acid in butter, can cause damage to the plastic parts contained inside of the refrigerator.
- Do not open the refrigerator door too often or leave the door open for long periods of time, as this will increase the temperature inside of the appliance and will increase the energy usage.
- **Meat** should be wrapped in polythene bags and then placed on the glass shelf above the salad drawers.  
**(Meat should only be stored in this manner for one or two days at the most).**
- **Cold dishes/cooked food** should be covered and can be placed on any shelf.
- **Fruit and vegetables** should be cleaned thoroughly and placed in the salad drawer.
- **Cheese and butter** should be placed in airtight containers, or they can be wrapped in aluminum foil or polythene bags. As much air as possible should be removed from the bags.

- **Milk bottles** should have a cap on them and be stored on the bottle shelf that sits in the door.
- **Garlic, potatoes, onions and bananas** should only be stored in a refrigerator **IF** they are stored in airtight containers.

## Cleaning and maintenance



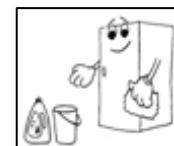
**WARNING: PLEASE ENSURE THAT YOUR APPLIANCE IS DISCONNECTED FROM YOUR MAINS SUPPLY BEFORE ATTEMPTING TO CLEAN IT.**



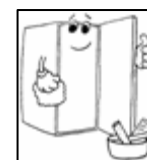
- Do not clean the appliance by pouring water onto it or spraying water over it.



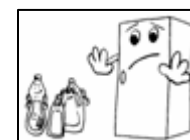
- The refrigerator should be cleaned periodically, using a solution of bicarbonate of soda and lukewarm water.



- Clean the accessories separately with soap and water. Do not clean them in a dishwasher.



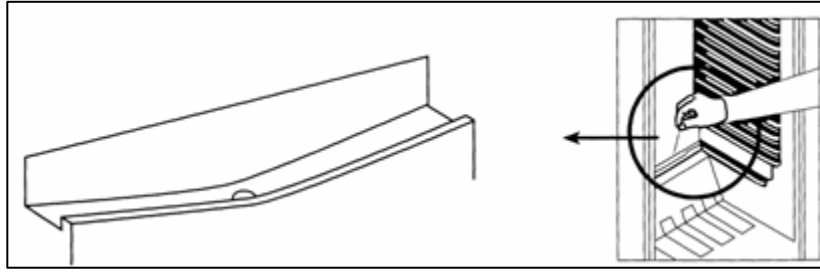
- Do not use abrasive products, detergents or soaps.



- After washing the appliance, wipe over the area that you have cleaned with a damp cloth and then dry it thoroughly.

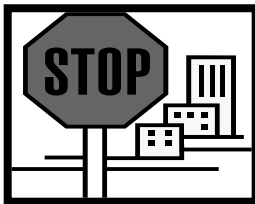
- When cleaning is complete, dry your hands and then reconnect the plug to your mains supply.

## Defrosting the refrigerator compartment

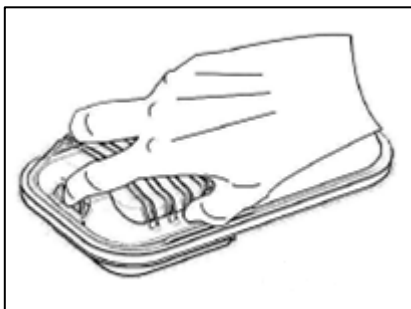
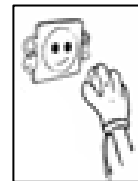


- Defrosting occurs automatically in the refrigerator section during operation. The defrost water is collected by the evaporating tray and evaporates automatically.
- The evaporating tray and defrost water drain hole should be cleaned periodically with the defrost drain plug. This will prevent water from collecting in the bottom of the refrigerator, instead of flowing down the defrost drainage channel and drain hole.
- You can also pour a small amount of water down the drain hole to clean inside of it.
- You should be careful to make sure that food packages do not touch the rear wall of the appliance, as this can interrupt the automatic defrosting process and deflect water into the base of your refrigerator.

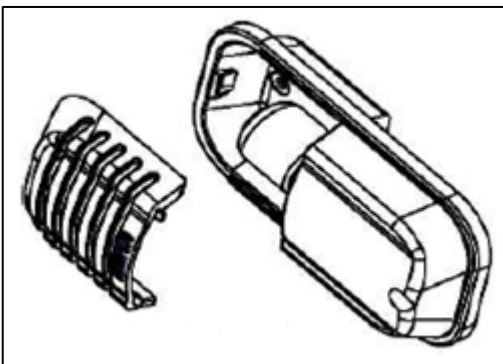
## Replacing the light bulb



***WARNING: PLEASE ENSURE THAT YOUR APPLIANCE IS DISCONNECTED FROM YOUR MAINS SUPPLY BEFORE ATTEMPTING TO REPLACE THE LIGHT BULB.***



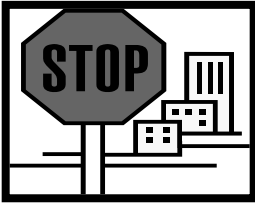
- Press the hook in front of the light cover to release the cover.



- Change the present light bulb with a new one of no more than 15 W.

- Replace the light cover and wait 5 minutes before reconnecting the plug to the power supply.

## Installation



**IMPORTANT:** Before installation and usage, read all the instructions and make sure that the voltage (V) and the frequency (Hz) indicated on the rating plate are exactly the same as the voltage and frequency in your home. The rating plate can be found inside of the refrigerator.

The manufacturer declines all responsibility in the event of the installer failing to observe all the accident prevention regulations in force, which are necessary for normal use and the regular operation of the electric system.

### Electrical connection



**YOUR FRIDGE IS INTENDED FOR FITTED AND PERMANENT INSTALLATION.**

We recommend that the appliance is connected by a qualified electrician, who is a member of the N.I.C.E.I.C. and who will comply with the I.E.E. and local regulations.

- Your refrigerator comes supplied with a 13 amp plug fitted. If in future you need to change the fuse in this plug, then a 13 amp ASTA approved (BS 1362) fuse **must** be used.
- The wiring in the mains lead is coloured as follows:
 

<b>Brown</b>	Live
<b>Blue</b>	Neutral
<b>Green and yellow</b>	Earth
- As the colours of the wires in the appliance's mains lead may not correspond with the coloured markings identifying the terminals in your spur box, please proceed as follows:

The **brown wire** must be connected to the terminal marked "L" (live), or coloured **red**.

The **blue wire** must be connected to the terminal marked "N" (neutral), or coloured **black**.

The **green and yellow wire** must be connected to the terminal marked "E" (earth), or by the earth symbol, or coloured **green and yellow**.

- When the connection is completed, no stray strands or cut wire should be present. The cord clamp must be secured over the outer sheath.

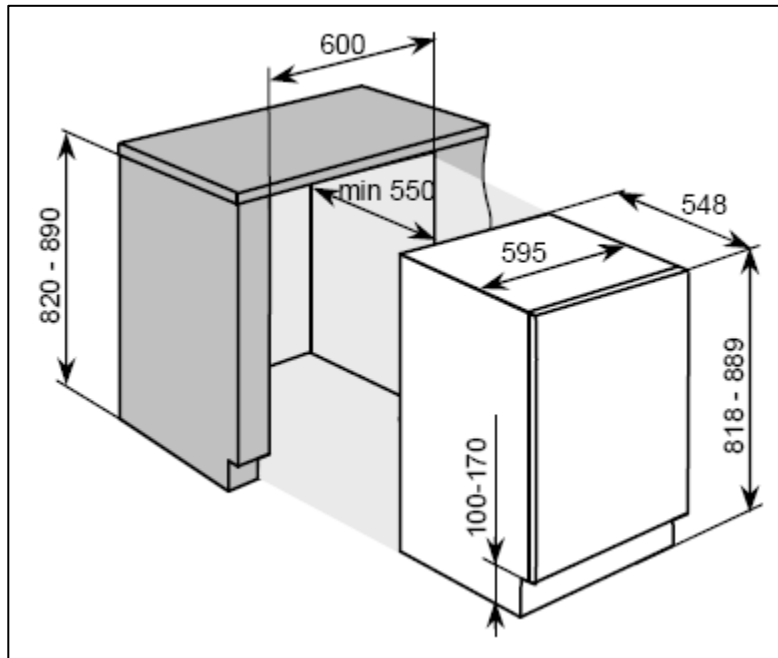
## Positioning

- It is advisable that your appliance is only installed in a location where the ambient temperature of the room, corresponds with the climate classification that is stated on the rating plate of your appliance. Your appliance may not function correctly if the ambient temperature falls outside of the following ranges.

<i>Climate classification</i>	<i>Appropriate ambient temperature</i>
SN	+10 to +32 degrees centigrade
N	+16 to +32 degrees centigrade
ST	+16 to +38 degrees centigrade
T	+16 to +43 degrees centigrade

- Your appliance should not be located in direct sunlight or exposed to continuous heat or extremes of temperature (e.g. next to a radiator or boiler).
- The door should be able to open completely and freely
- The appliance should be situated so you can easily access the food that is stored in it.
- You should check whether there is an electrical socket available, which will be accessible after your appliance is installed.

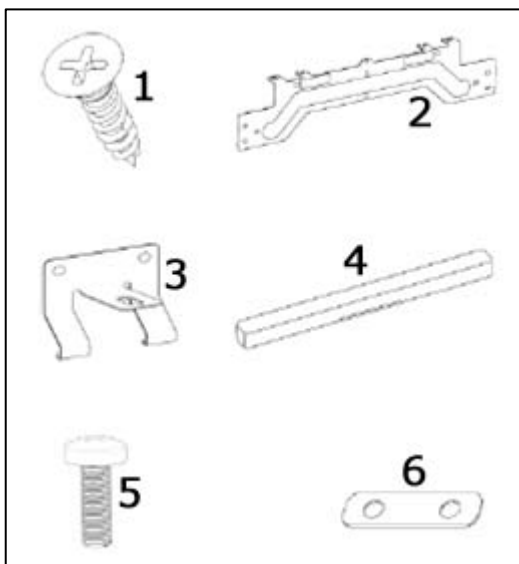
## Aperture and appliance dimensions



- The diagram above shows the aperture size that you will need to be able to install your appliance.

## Supplied installation components

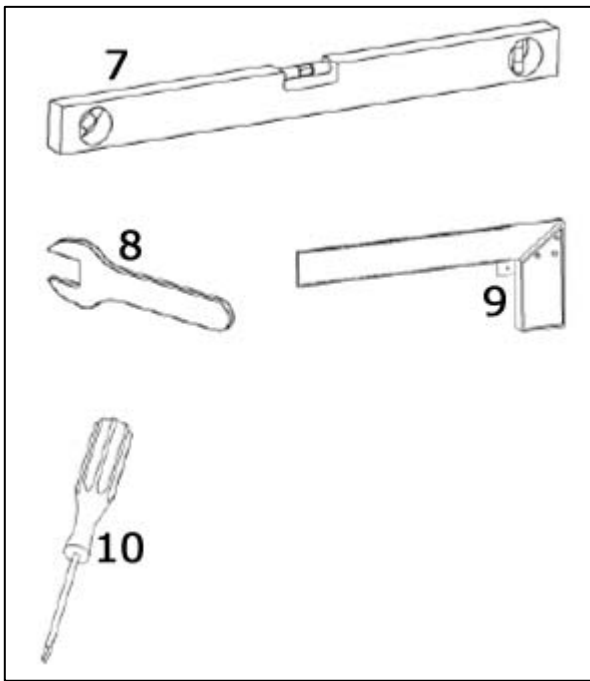
- The diagrams below show the contents of the supplied installation kit and the tools you will require to carry out the installation process.
- Throughout the installation instructions, you will see the diagrams contain number references to show which component the image is referring to.



- 1) Wood screw (17 pcs)
- 2) Door hang
- 3) Door bottom fixings (2 pcs)
- 4) Hang cover
- 5) Screw
- 6) Top bracket

## Tools required



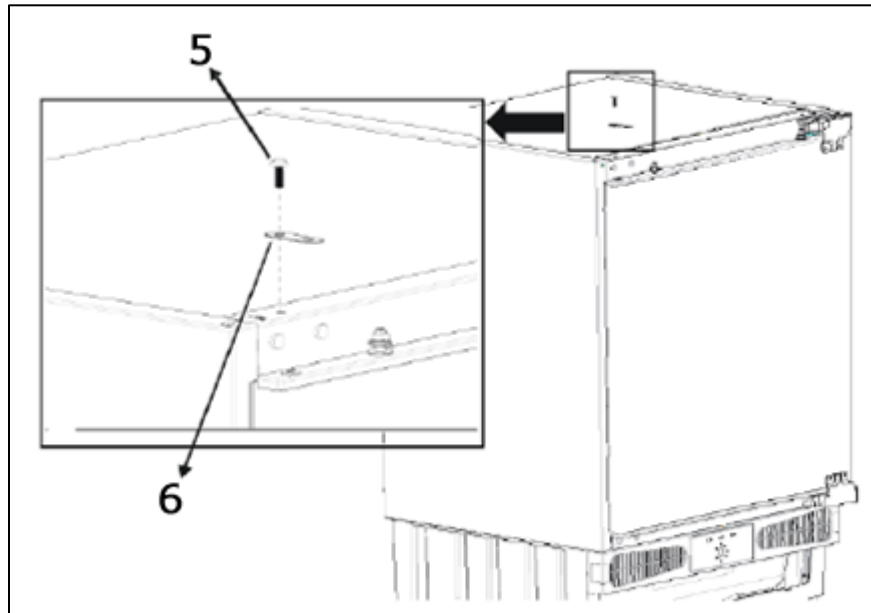


- 7) Water gauge
- 8) Wrench
- 9) Setsquare
- 10) Screwdriver

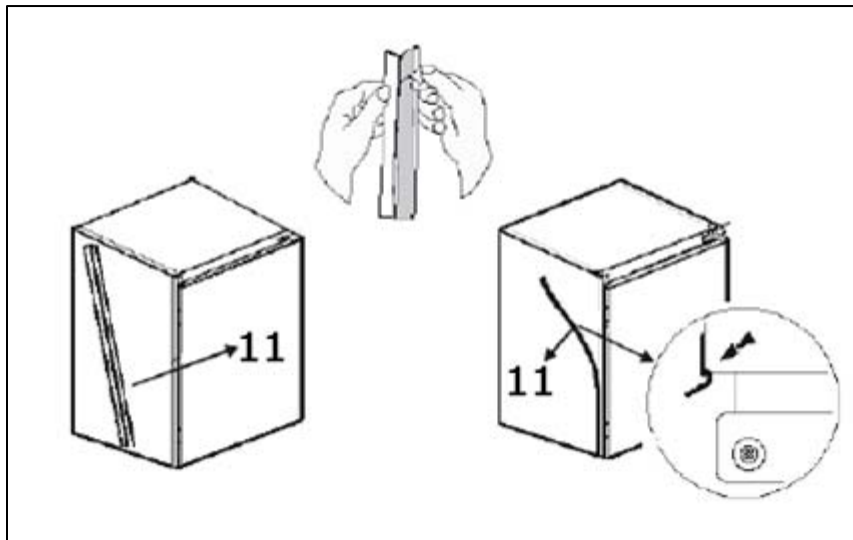
### Installing your refrigerator



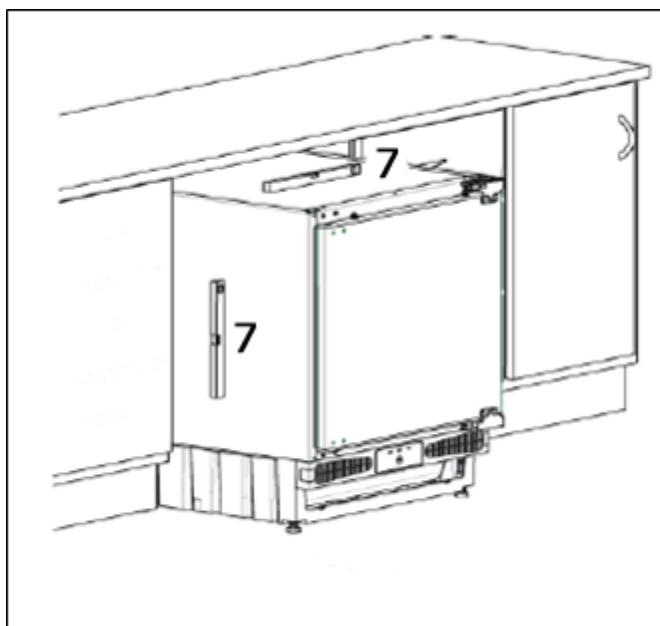
*If you need the appliance door to open from the other side, then please reverse the door before commencing the installation process.* (See "Reversing the door" section).



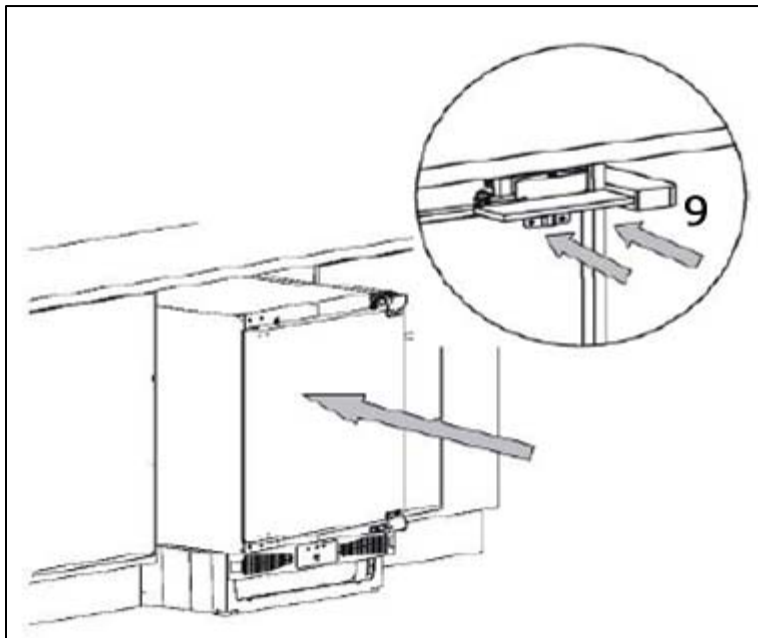
- Remove the screw (5) at the top of the appliance and place the top bracket (6) in its place.
- Fix the bracket with the screw (5).



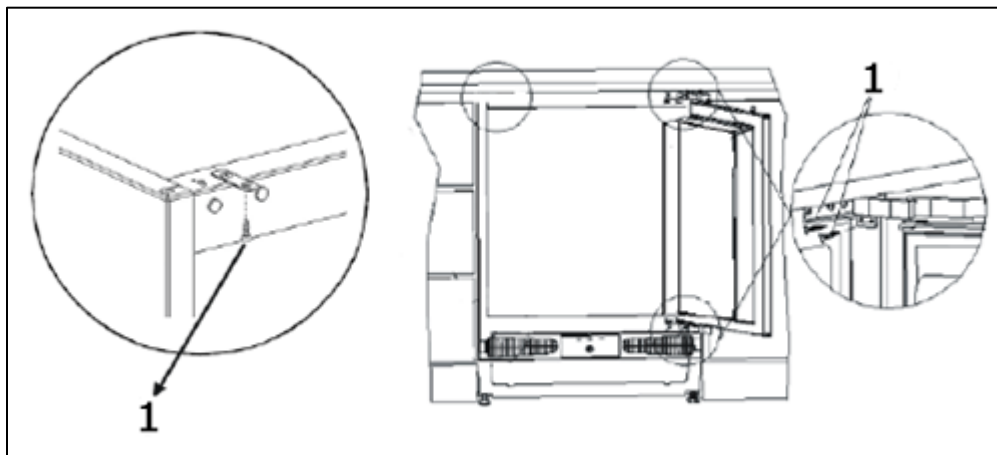
- Take out the gasket **(11)** located on the side panel and remove the protective tape.
- Stick the gasket on the reverse side of the door hinges of the appliance.



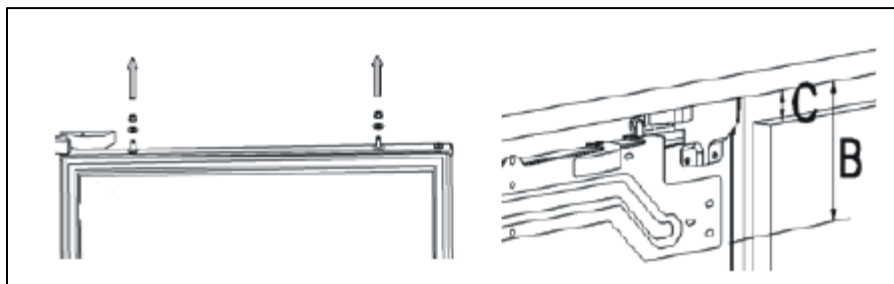
- You should use a water gauge **(7)** to ensure the appliance is level.



- Slide the appliance into the kitchen unit and align the hinge surface with the front surface of the kitchen unit using a setsquare **(9)**.

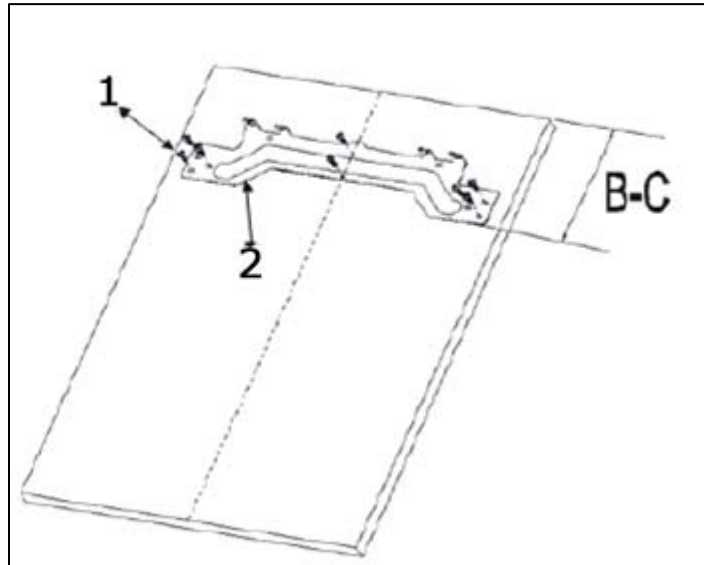


- Screw the hinges and metal bracket to the kitchen unit using screws **(1)**.

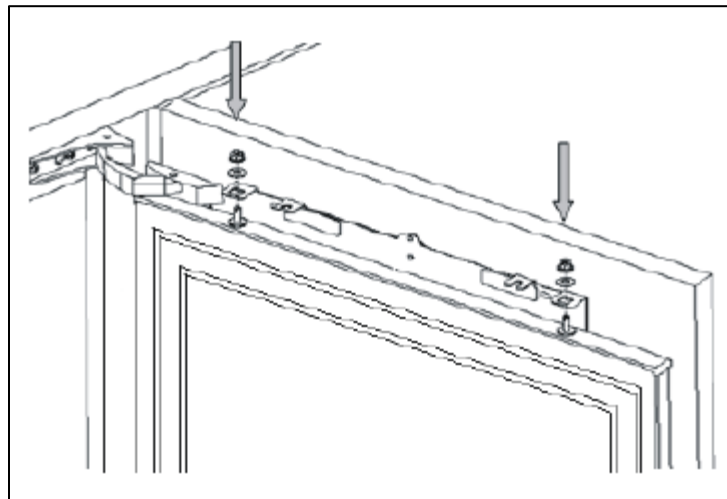


- Unscrew and remove the nuts and washers from the appliance door. Place the door hang **(2)** on the appliance door by inserting the holes on the adjustment bolts.

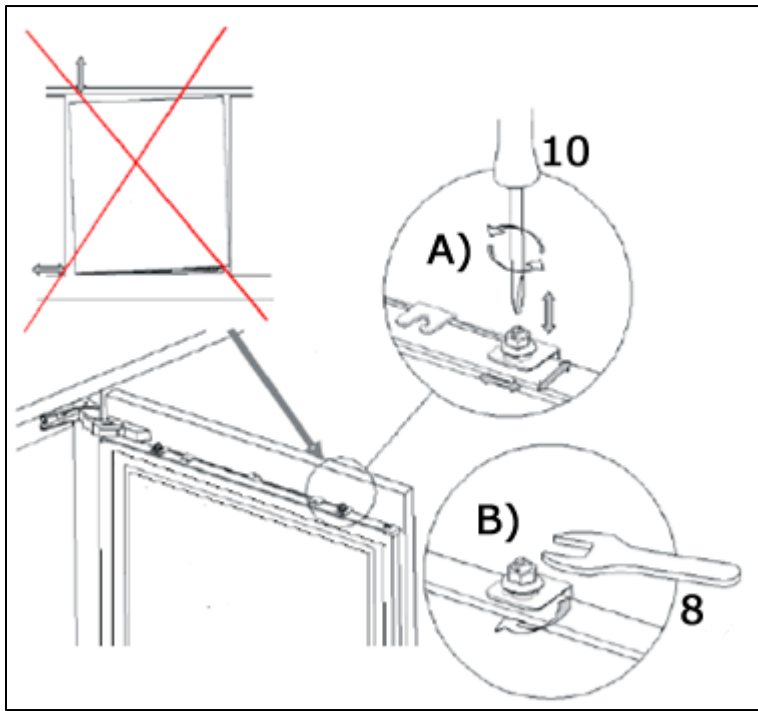
- **Dimension B:** Measure from the underside surface of the kitchen unit to the bottom of the door hang.
- **Dimension C:** Measure from the underside surface of the kitchen unit to the top of the next unit door.



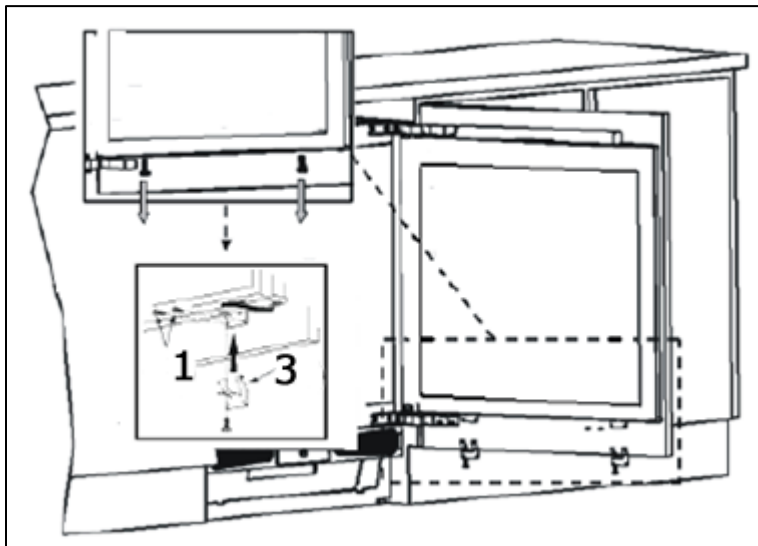
- Subtract measurement **C** from measurement **B**. Place the door hang **(2)** using this dimension for the vertical position and place it in the centre for the horizontal position.
- Screw the door hang **(2)** into place using the screws **(1)**.



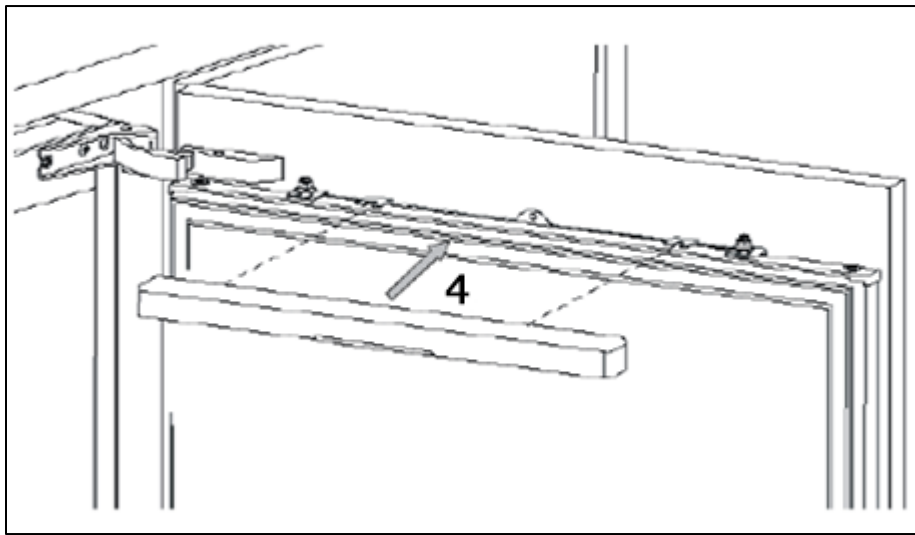
- Place the cabinet door onto the appliance door by inserting the adjustment bolts into the slots on the door hang.
- Place the washers and screw nuts onto the adjustment bolts.



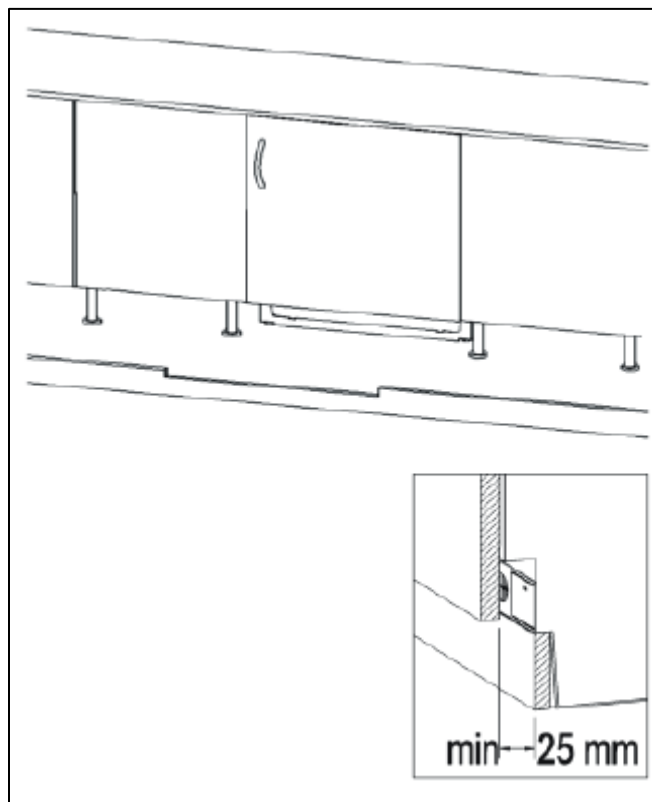
- Close the door and check the alignment with the other cabinet doors. Make the adjustment of the unit door by screwing or unscrewing the adjustment bolts using a screwdriver **(10)** for vertical adjustment and by the help of the slots on the door hang for other directions.
- Tighten the nuts using a wrench **(8)** to fix the bracket.



- Remove the screws **(1)** at the bottom of the appliance door.
- Place the door bottom fixings **(3)** into position and screw the fixings to the appliance door and the cabinet door.



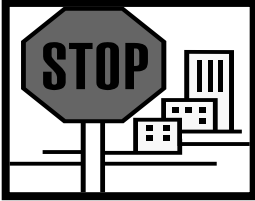
- Slide the hang cover **(4)** onto the door hang.



- Position the plinth providing a minimum 25 mm gap between the cabinet door and fix it.

**NOTE:** There are ventilation slots in the front of this appliance. If the height of the plinth covers any of the ventilation slots, then a cut-out *must* be made in the plinth to ensure that all of the ventilation slots are exposed.

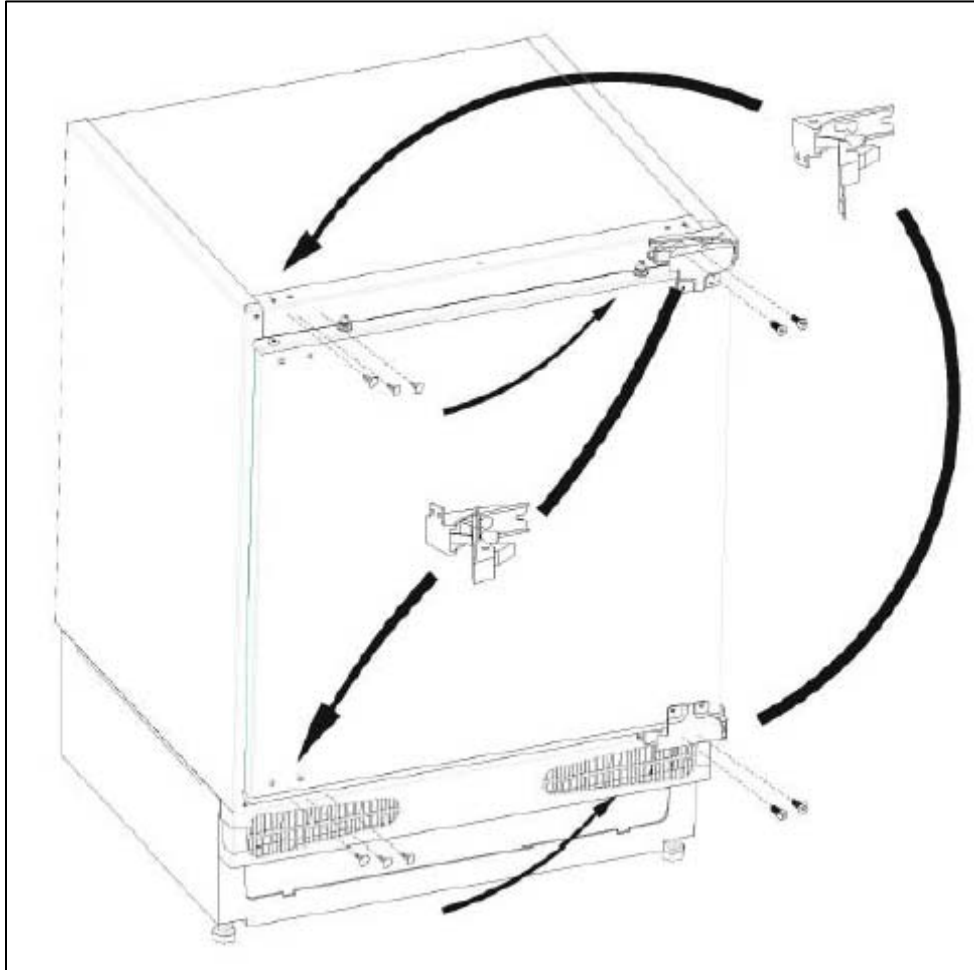
## Reversing the door of your appliance



**Caution!** After unscrewing any of the fixing hinges, hold the door to prevent it from falling and causing damage.



**Any parts that you remove from the appliance whilst reversing the door, should be retained for later use.**



- Unscrew the screws on the front surface of the appliance door. Take the appliance door off and place it on a soft surface where it will not be scratched.
- Move the hole plugs on the appliance door's front surface to the holes on the reverse side.
- Open the door upper hinge and door lower hinge and disassemble them.

- Move the hole plugs to the opposite side.
- Assemble the door upper hinge and door lower hinge to the opposite corners of their original position.
- Assemble the appliance door.

## Troubleshooting



**IMPORTANT:** *If your fridge appears not to be operating properly, before contacting the Advice Line, please refer to the checklist below.*



***My fridge does not appear to be working/there is no power to my appliance.***

- Check that the plug is fully inserted into the power socket.
- Check that there is power to your mains supply (e.g. that there hasn't been a power cut or that the fuse hasn't blown).
- Check that the thermostat has not been turned to the off position.
- Check that your mains supply voltage, corresponds to the voltage stated on the rating plate of your appliance.



***My fridge appears to be performing poorly***

- Check that the appliance isn't overloaded and that food hasn't been packed too tightly into it.
- The thermostat setting is too low; you should turn the thermostat up higher.
- Ensure that the door is closing properly and that the door has not been opened for a prolonged period in error.
- Ensure that there is adequate ventilation for your appliance.



***My fridge is noisy***

- The refrigerant gas that circulates the pipe work of the appliance may make a slight noise, even if the compressor is not running.
- If the noise worsens or the appliance gets louder than normal; check that it is leveled off correctly, that nothing is touching the rear of the fridge and that nothing placed inside the appliance is rattling.





***Ice has formed on the inner back wall of my fridge***

- Check that food has not been pushed too far back inside the appliance, so that it is in contact with the inner back wall.



***There is water in the base of the fridge or leaking out of my fridge.***

- Check that the defrost drain hole has not become blocked. See the “Defrosting the refrigerator compartment” section on page 13.

## Technical Data

Manufacturer	HOMEKING
Model Number	HUL136.1
Product Category	1 – Refrigeration
Energy Efficiency Class <b>(1)</b>	A+
Annual Energy Consumption <b>(2)</b>	121 kWh
Storage Volume of Fridge Compartment	133 litres
Storage Volume of Freezer Compartment	
Star Rating	
Frost Free Compartments	Fridge
Temperature Rise Time	
Freezing Capacity	
Climate Class <b>(3)</b>	SN
Noise Level	44 dB
Installation Type	Built-in

**(1)** On a scale from A+++ (highest efficiency) to G (lowest efficiency).

**(2)** Annual energy consumption based on standard test results for 24 hours. The actual energy consumption will depend on how the appliance is used and where it is located.

**(3)** This appliance is intended to be used at an ambient temperature between "10°C" (lowest temperature) and "32°C" (highest temperature).



**United Kingdom**

6 Bennet Road,  
Reading, Berkshire  
RG2 0QX  
United Kingdom

**Customer Care**

(0118) 933 6918