

beko



Cooker Hood
User Manual

CCB 6254 S

Please read this user manual first!

Dear Customer,

Thank you for purchasing this Beko product. We hope that you get the best results from your product which has been manufactured with high quality and state-of-the-art technology. Therefore, please read this entire user manual and all other accompanying documents carefully before using the product and keep it as a reference for future use. If you handover the product to someone else, give the user manual as well. Follow all warnings and information in the user manual.

Remember that this user manual is also applicable for several other models. Differences between models will be identified in the manual.

Explanation of symbols

Throughout this user manual the following symbols are used:



Important information or useful hints about usage.



Warning for hazardous situations with regard to life and property.



This product was manufactured using the latest technology in environmentally friendly conditions.

TABLE OF CONTENTS

1 Important instructions for safety and environment	8-9
2 Installing your appliance	10-11
3 Operating your appliance	12-14
4 Guarantee and Service	15

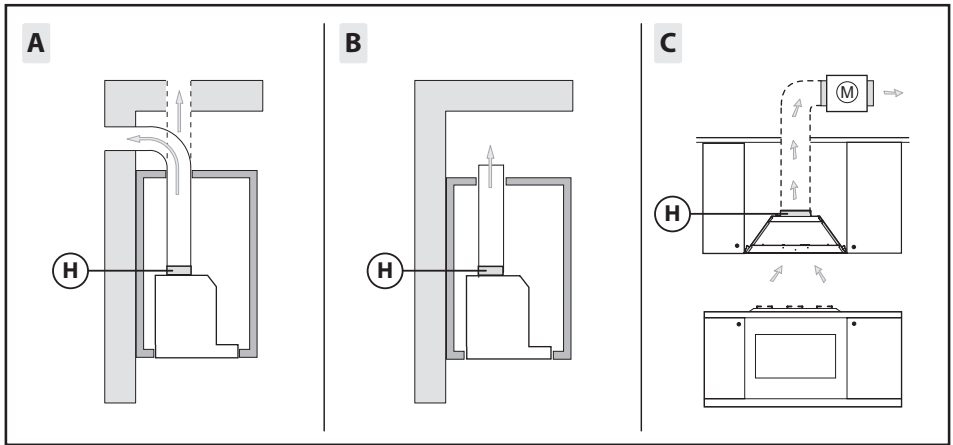


Fig.1

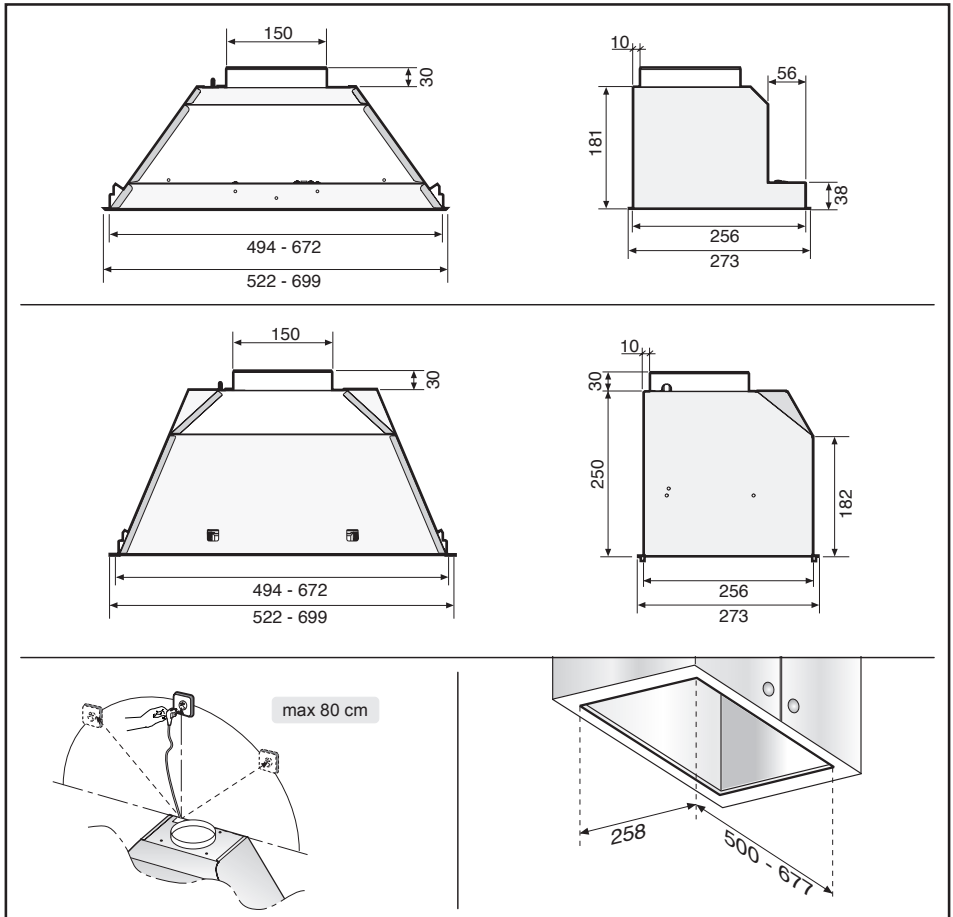


Fig.2

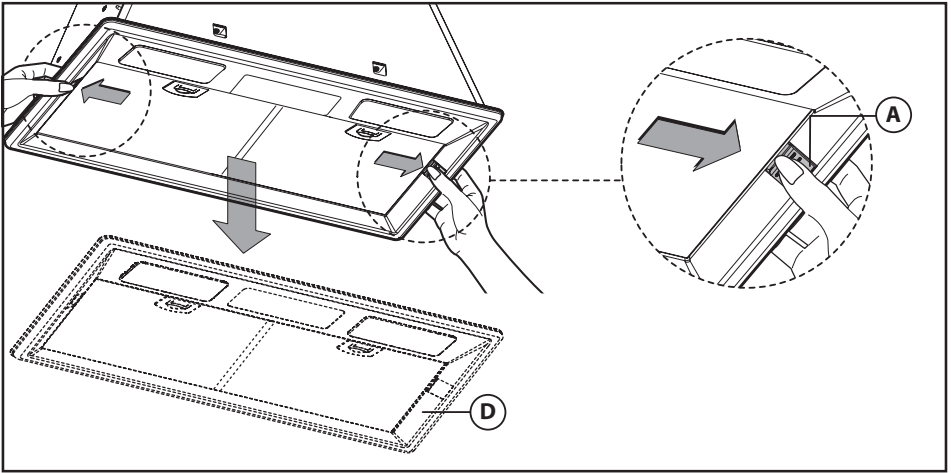


Fig.3

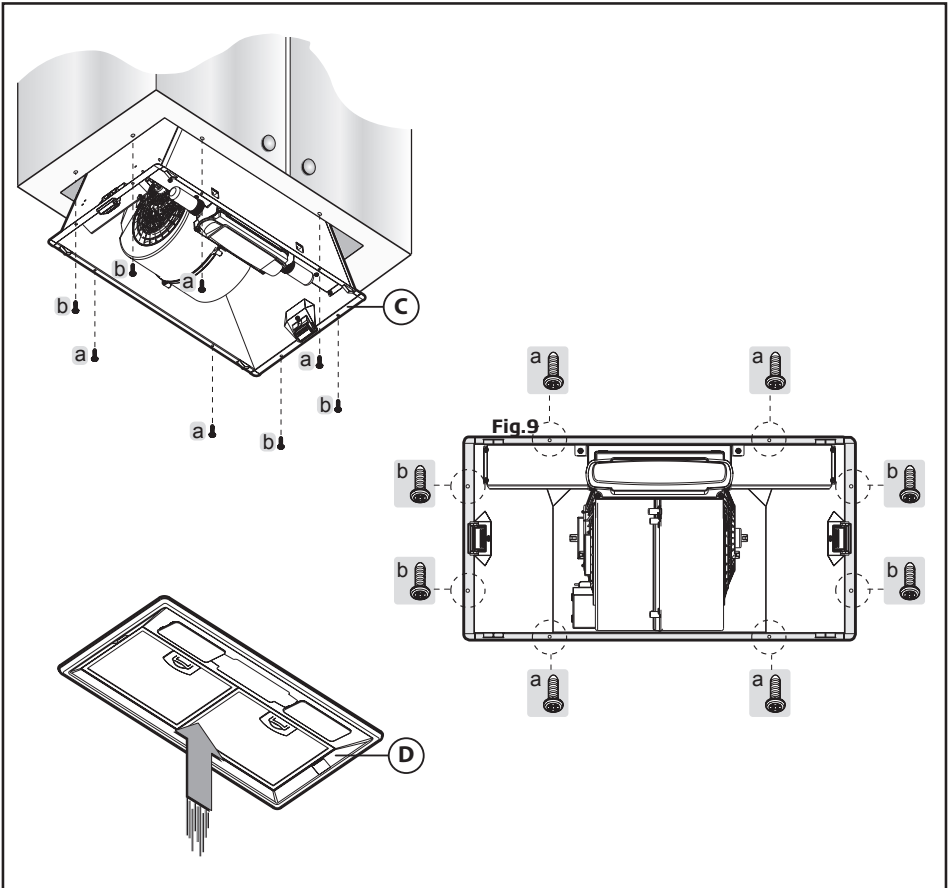


Fig.4

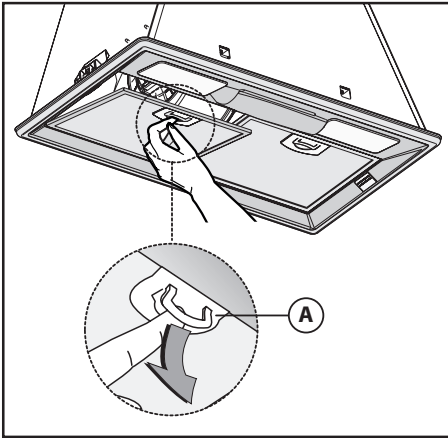


Fig.4B

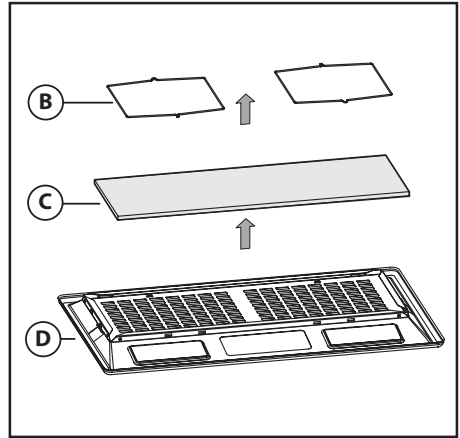


Fig.5

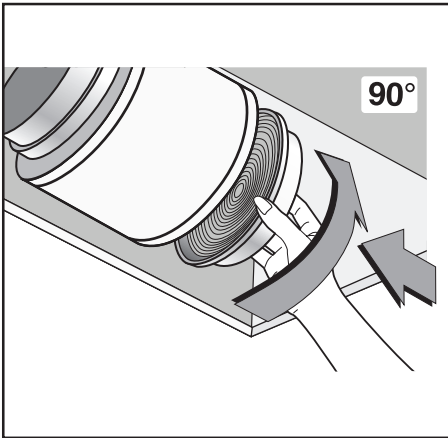


Fig.6

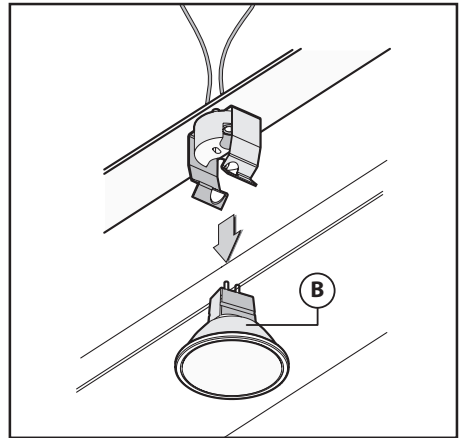


Fig.7

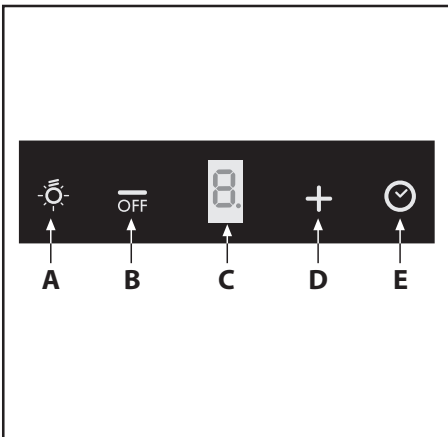


Fig.8

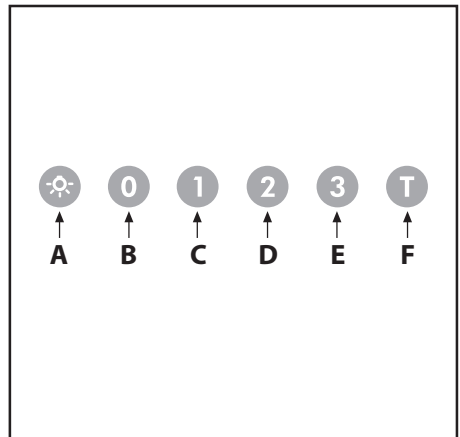


Fig.9

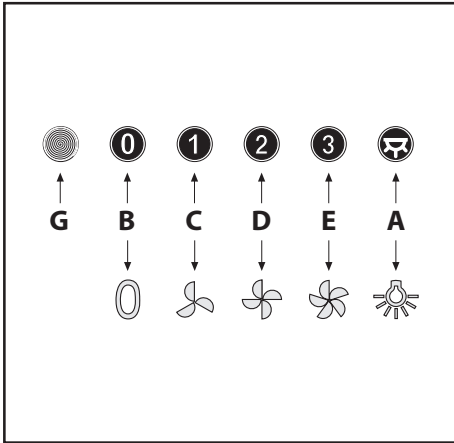


Fig.10

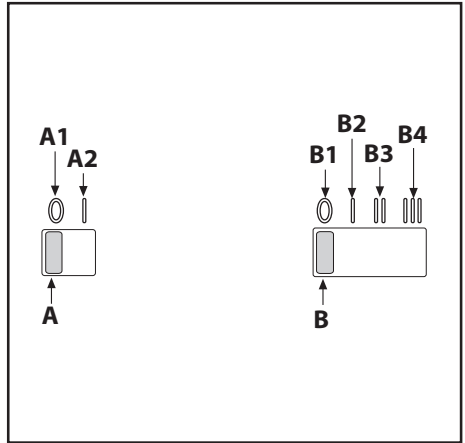


Fig.11

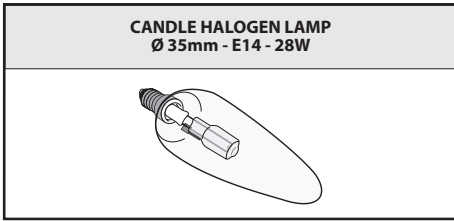


Fig.12

1 Important instructions for safety and environment

General

Carefully read the following important information regarding installation safety and maintenance. Keep this information booklet accessible for future reference. The appliance has been designed for use in the ducting version (air exhaust to the outside - Fig.1B), filtering version (air circulation on the inside - Fig.1A) or with external motor (Fig.1C).

Safety precaution

- Take care when the cooker hood is operating simultaneously with an open fireplace or burner that depend on the air in the environment and are supplied by other than electrical energy, as the cooker hood removes the air from the environment which a burner or fireplace need for combustion. The negative pressure in the environment must not exceed 4Pa (4x10⁻⁵ bar). Provide adequate ventilation in the environment for a safe operation of the cooker hood.

Follow the local laws applicable for external air evacuation.

Before connecting the model to the electricity supply network:

- Check the data plate (positioned inside the appliance) to ensure that the voltage and power correspond to the network and the socket is suitable. If in doubt ask a qualified electrician.
- If the power supply cable is damaged, it must be replaced with another cable or a special assembly, which may be obtained direct from the manufacturer or from the Technical Assistance Centre.
- This device must be connected to the supply network through either a plug fused at 3A or hardwired to a single phase spur protected by 3A fuse.



In certain circumstances electrical appliances may be a danger hazard.

- Do not check the status of the filters while the cooker hood is operating.
- Do not touch bulbs or adjacent areas, during or straight after prolonged use of the lighting installation.
- Flambè cooking is prohibited underneath the cooker hood.

1 Important instructions for safety and environment

- Avoid free flame, as it is damaging for the filters and a fire hazard.
- Constantly check food frying to avoid that the overheated oil may become a fire hazard.
- Disconnect the electrical plug prior to any maintenance.
- This appliance is not intended for use by young children or infirm persons without supervision.
- Young children should be supervised to ensure they do not play with the appliance.
- There shall be adequate ventilation of the room when the rangehood is used at the same time as appliances burning gas or other fuels.
- There is a risk of fire if cleaning is not carried out in accordance with the instructions.

Compliance with WEEE regulation and disposal of the waste product

This appliance conforms to the European Directive EC/2002/96, Waste Electrical and Electronic Equipment (WEEE). By making sure that this appliance is disposed of in a suitable manner, the user is helping to prevent potential damage to the environment or to public health.



The symbol on the product or on the accompanying paperwork indicates that the appliance should not be treated as domestic waste, but should be delivered to a suitable electric and electronic appliance recycling collection point. Follow local guidelines when disposing of waste. For more information on the treatment, re-use and recycling of this product, please contact your local authority, domestic waste collection service or the shop where the appliance was purchased.

2 Installing your appliance

- **Assembly and electrical connections must be carried out by specialized personnel.**
- **Wear protective gloves before proceeding with the installation.**

Electrical Connection:

- The appliance has been manufactured as a class II, therefore no earth cable is necessary. The plug must be easily accessible after the installation of the appliance. If the appliance is equipped with power cord without plug, a suitably dimensioned omnipolar switch with 3 mm minimum opening between contacts must be fitted between the appliance and the electricity supply in compliance with the load and current regulations.
- The connection to the mains is carried out as follows:
BROWN = **L** line
BLUE = **N** neutral.
- The minimum distance between the support surfaces of the cooking pots on the cooker top and the lowest part of the cooker hood must be at least **65 cm**. If a connection tube composed of two parts is used, the upper part must be placed outside the lower part.
Do not connect the cooker hood exhaust to the same conductor used to circulate hot air or for evacuating fumes from other appliances generated by other than an electrical source. Before proceeding with the assembly operations, remove the anti-grease filter(s) (Fig.7) so that the unit is easier to handle.
- In the case of assembly of the appliance in the suction version prepare the hole for evacuation of the air.

- We recommend the use of an air exhaust tube which has the same diameter as the air exhaust outlet hole. If a pipe with a smaller diameter is used, the efficiency of the product may be reduced and its operation may become noisier.

Installation:

The following instruction should be followed to carry out the correct installation of the cooker hood.

1. Mounting of the cooker hood on the lower side of the cupboard.
1. Choosing the version (extractor, Fig.1A, or filter, Fig.1B).

Fixing the hood to the lower part of the wall cabinet:

This type of appliance must be fitted inside a cabinet or inside another type of support structure. The overall measurements of the cooker hood are given in figure 2. Before proceeding with cooker hood installation, remove grille **D** by pressing the two side buttons **A**, as shown in figure 3. Fix the appliance in place using 8 screws (not supplied) which are suited to the type of cabinet. To install the cooker hood correctly, first fit the 4 screws **A** and then the 4 screws **B**, in accordance with the diagram in figure 4. After fixing the cooker hood to the lower part of the cabinet, place grille **D** (Fig.4) back in the correct position. During this procedure, make sure that grille **D** is fastened properly.

Extraction through an outside wall:

The appliance expels the fumes through an outside wall or a duct. It is necessary to buy a telescopic pipe in accordance with the standards in use (inflammable) and connect it to flange **H** (Fig.1A).

2 Installing your appliance

Recirculation:

To transform an extractor hood version into a filter hood version, the active charcoal filters will need to be fitted. The filters should be fitted to the extraction assembly inside the hood, by centring them and rotating them 90 degrees, until they click into place (Fig.6). To perform this operation, first remove grille **D** (Fig.3). The air is released back into the room through air exhaust piping which passes through the cabinet and is connected to flange **H** (Fig.1B).

3 Operating your appliance

- We recommend that the cooker hood is switched on before any food is cooked. We also recommend that the appliance is left running for 15 minutes after the food is cooked, in order to thoroughly eliminate all contaminated air. The effective performance of the cooker hood depends on constant maintenance; the anti-grease filter and the active carbon filter both require special attention.
- **The anti-grease filter** is responsible retaining the grease particles suspended in the air, therefore it is subject to clogging with variable frequency according to the use of the appliance.
- To prevent the danger of possible fires, at least every 2 months one must wash the anti-grease filters by hand using non-abrasive neutral liquid detergents or in the dishwasher at low temperatures and on short cycles.
- In the event that acrylic anti-grease filters are used, hand-wash every 2 months, using neutral non-abrasive liquid detergents and replace them after every 6 washes.
- After a few washes, color alterations may occur. This is normal and will not effect their performance.
- **The active carbon filters** are used to purify the air that is sent back into the room and its function is to remove the unpleasant odours produced by cooking.
- The non-regenerable active carbon filters must be replaced at least every 4 months. The saturation of the active charcoal depends on the use of the appliance, on the type of kitchen and on the frequency with which the antigrease filter is cleaned.
- **Before remounting the anti-grease filters and the regenerable active charcoal filters it is important that they are completely dry.**

- **Clean the hood frequently, both internally and externally, using a cloth dampened with water or non-abrasive neutral liquid detergents.**
- The lighting system is designed for use during cooking and not for the prolonged general lighting of the room. The prolonged use of the lighting system significantly decreases the average duration of the bulbs.



The non-compliance with the hood cleaning warnings and with the replacement and cleaning of the filters entails risk of fires. One therefore recommends keeping to the suggested instructions.

Replacing the aluminium panels:

To replace the aluminium panels, simply pull handle **A** as shown in Fig.4B.

Replacing the acrylic or metal panels:

To replace the acrylic or metal panels, first remove grille **D** by pressing the two side buttons **A**, as shown in figure 3. Remove the two filter clips **B** (Fig.5) and the acrylic or metal panel **C**. To reassemble the part, simply perform the procedure in reverse.

Replacing halogen light bulbs (Fig.7):

To replace the halogen lamps **B**, from the inside of the cooker hood press downwards with two fingers as shown in Fig.7. Replace the bulbs with new ones of the same type.

3 Operating your appliance

Replacing the halogen/incandescent lamps (Fig.12):

Only use lamps of the same type and Wattage installed on the device.

Commands (Fig.11):

Push-button A = On/off lights switch.

Push-button B = On/off cooker hood switch. The appliance switches on at speed level 1, If the cooker hood is on depress the push-button for 2 sec. to switch off the cooker hood. If the cooker hood is at speed level 1 it will not be necessary to depress the push-button to switch the cooker hood off. Decreases the motor speed.

Display C = Indicates the motor speed level selected and activates the timer.

Push-button D = Switches on the cooker hood. Increases the motor speed. Touching the key at 3rd speed, the intensive function runs for 10', then the appliance go back to work at the original speed. During this function the display blinks.

Key E = The Timer times the functions on activation for 15 minutes, after which they are switched off. The Timer is deactivated by re-pressing **Key E**. When the Timer is activated the decimal point must flash on the display. The Timer cannot be activated if the intensive speed is functioning.

The “**clean air**” function is activated by pressing the key **E** for 2 seconds when the appliance is switched off.

This switches the motor on for 10 minutes every hour at the first speed.

During functioning a rotary movement of the peripheral segments must be visualised on the display. When this time has passed the motor switches off and the fixed letter “**C**” must be visualised on the display until the motor re-starts after 50 minutes for another 10 minutes and so on. Press any key apart from the light keys to return to normal functioning. Press key **E** to deactivate the function.

Anti-grease/active charcoal filters saturation:

- When display item **C** flashes, at a speed where it alternates with the letter **F** (e.g. **1** and **F**), the grease filters must be washed.
- When display item **C** flashes, at a speed where it alternates with the letter **A** (e.g. **1** and **A**), the active carbon filters must be replaced or washed depending on the type of filter.

After the clean filter has been positioned correctly, the electronic memory must be reset by pressing button **A** for approximately **5 seconds**, until the indication **F** or **A** shown on the display **C** stops flashing.

Commands luminous (Fig.9) the key symbols are explained below:

A = LIGHT

B = OFF

C = SPEED I

D = SPEED II

E = SPEED III

F = AUTOMATIC STOP TIMER - 15 minutes (*)

If your appliance does not have the **INTENSIVE** speed function, press key **E** for 2 seconds and it will be activated for 10 minutes after which it will return to the previously set speed. When the function is active the LED flashes. To interrupt it before the 10 minutes have expired press key **E** again. Some models allow activating this function even with speed one and two.

By pressing key **F** for two seconds (with the hood switched off) the “**clean air**” function is activated. This function switches the appliance on for ten minutes every hour at the first speed. As soon as this function is activated the motor starts up at the first speed for ten minutes. During this time key **F** and key **C** must flash at the same time.

3 Operating your appliance

After ten minutes the motor switches off and the LED of key **F** remains switched on with a fixed light until the motor starts up again at the first speed after fifty minutes and keys **F** and **C** start to flash again for ten minutes and so on.

By pressing any key for the exclusion of the hood light the hood will return immediately to its normal functioning (e.g. if key **D** is pressed the “**clean air**” function is deactivated and the motor moves to the 2nd speed straight away. By pressing key **B** the function is deactivated).

(*) The “**AUTOMATIC STOP TIMER**” delays stopping of the hood, which will continue functioning for 15 minutes at the operating speed set at the time this function is activated.

Anti-grease/active charcoal filters saturation:

- When the **A** key flashes with a **2 second** frequency the antigrease filters must be washed.
- When the **A** key flashes with a **0.5 second** frequency the active carbon filters must be replaced or washed depending on the type of filter.

Once the clean filter has been put back one must reset the electronic memory by pressing the **A** key for approximately **5 seconds** until it stops flashing.

Commands mechanical (Fig.10) the key symbols are explained below:

A = LIGHT

B = OFF

C = SPEED I

D = SPEED II

E = SPEED III

G = MOTOR WORKING indicator.

Commands slider (fig.11) the key symbols are explained below:

A = Light switch

A1 = Off key

A2 = On key

B = Speed control

B1 = Off key

B2 = FIRST SPEED key

B3 = SECOND SPEED key

B4 = THIRD SPEED key.

THE MANUFACTURER DECLINES ALL RESPONSIBILITY FOR EVENTUAL DAMAGES CAUSED BY BREACHING THE ABOVE WARNINGS.

Your Beko product is guaranteed against the cost of breakdown repairs for 2 years from the date of the original purchase.

What is covered?

- All repairs necessary as a result of faulty materials, defective components or manufacturing defect.
- The cost of functional replacement parts.
- The labor costs of a Beko approved repairer to carry out the repair.

What is not covered?

- Transit or delivery damage
- Accidental damage
- Misuse, or abuse
- Cabinet or appearance parts, including knobs and flaps
- Accessory items, including ice trays, scrapers, cutlery baskets
- Repairs required as a result of unauthorized repairs or expert installation that fails to meet the requirements contained in the user instruction book.
- Repairs to products used on commercial or non-residential household premises

Important notes

- The product is guaranteed for domestic household use only.
- The guarantee will be void if the product is installed or used in commercial or non-residential domestic household premises.
- The product must be correctly installed, located and operated in accordance with the instructions contained in the User Instructions Booklet provided.
- Professional installation by a qualified plumber/electrical appliance installer is recommended for all Washing & Dishwashing Machines and Electric Cookers.
- Gas Cookers must only be installed by a Gas Safe (or BORD GAIS) registered Gas Installer.
- The guarantee is given only within the boundaries of the United Kingdom.
- The guarantee is not transferable if the product is resold.
- Beko plc. disclaims any liability for incidental or consequential damages.
- The guarantee does not in any way diminish your statutory or legal rights.

HOW TO OBTAIN SERVICE UNDER THE MANUFACTURERS GUARANTEE

Please keep your purchase receipt or other proof of purchase in a safe place; you will need to have it should the product require attention in the guarantee period

You should also complete the details below; it will help us assist you quicker when requesting service. (The model number is printed on the Instruction Booklet)

Model Number : _____ **Purchased From :** _____ **Date of purchase :** _____

For service under guarantee simply telephone the appropriate number below

LOCATION

UK Mainland & Northern Ireland

Fridges & Freezers

Electric Cookers

Gas & Dual Fuel Cookers

Washing Machines & Dishwashers

Republic of Ireland

All Refrigeration, Cooking, Washing & Dishwashing Machines

TELEPHONE

0845 600 4903/0345 600 4903

0845 600 4902/0345 600 4902

0845 600 4905/0345 600 4905

0845 600 4906/0345 600 4906

01 862 3411

Before requesting service please check the troubleshooting guide in the Operating Instructions as a charge may be levied where no fault is found even though your product may still be under guarantee.

Service once the manufacturer's guarantee has expired.

If you have purchased an extended guarantee agreement document. Otherwise please call the above numbers where service can be obtained at a charge.

Should you experience any difficulty in obtaining service please call the

Beko Customer Help-Line on 0845 600 4911/0345 600 4911

Beko Plc, Beko House, 1 Greenhill Crescent, Watford Herts, WD18 8QU, Tel: 0845 600 4911

